



US00D323150S

# United States Patent [19]

Takenouchi et al.

[11] Patent Number: **Des. 323,150**

[45] Date of Patent: **\*\* Jan. 14, 1992**

[54] ELECTRICAL CONNECTOR HOUSING

[75] Inventors: **Kenji Takenouchi; Makoto Yamanashi**, both of Shizuoka, Japan

[73] Assignee: **Yazaki Corporation**, Tokyo, Japan

[\*\*] Term: **14 Years**

[21] Appl. No.: **454,863**

[22] Filed: **Dec. 20, 1989**

[30] **Foreign Application Priority Data**

Jun. 21, 1989 [JP] Japan ..... 1-22637

[52] U.S. Cl. .... **D13/146**

[58] Field of Search ..... D13/133, 146, 147; 439/271, 275, 279, 282, 293, 297, 350, 352, 353, 357, 358, 571, 586, 587, 589, 595, 596, 598, 600, 680, 682, 685, 686, 687, 695, 701, 724, 744, 748, 752

[56] **References Cited**

**U.S. PATENT DOCUMENTS**

D. 308,513	6/1990	Endo et al. ....	D13/147
D. 315,717	3/1991	Takenouchi et al. ....	D13/133
D. 318,042	7/1991	Takenouchi et al. ....	D13/146
4,749,372	6/1988	Betsui .....	439/595 X
4,884,978	12/1989	Inaba et al. ....	439/350 X
4,946,398	8/1990	Takenouchi et al. ....	439/595 X

*Primary Examiner*—Susan J. Lucas  
*Assistant Examiner*—J. Sincavage  
*Attorney, Agent, or Firm*—Armstrong, Nikaido, Marmelstein, Kubovcik & Murray

[57] **CLAIM**

The ornamental design for an electrical connector housing, as shown and described.

**DESCRIPTION**

FIG. 1 is a top plan view of an electrical connector housing showing our new design;  
 FIG. 2 is a front elevational view thereof;  
 FIG. 3 is a bottom plan view thereof;  
 FIG. 4 is a left side elevational view thereof, the right side elevational view thereof being a mirror image;  
 FIG. 5 is a rear elevational view thereof;  
 FIG. 6 is a cross-sectional view thereof taken along line 6—6 of FIG. 2;  
 FIG. 7 is a cross-sectional view thereof taken along line 7—7 of FIG. 2;  
 FIG. 8 is a cross-sectional view thereof taken along line 8—8 of FIG. 2; and  
 FIG. 9 is a front and upper right perspective view thereof showing the parts separated for the purpose of a complete disclosure. The broken line showing is included for the purpose of illustrating environmental elements only and forms no part of the claimed design.

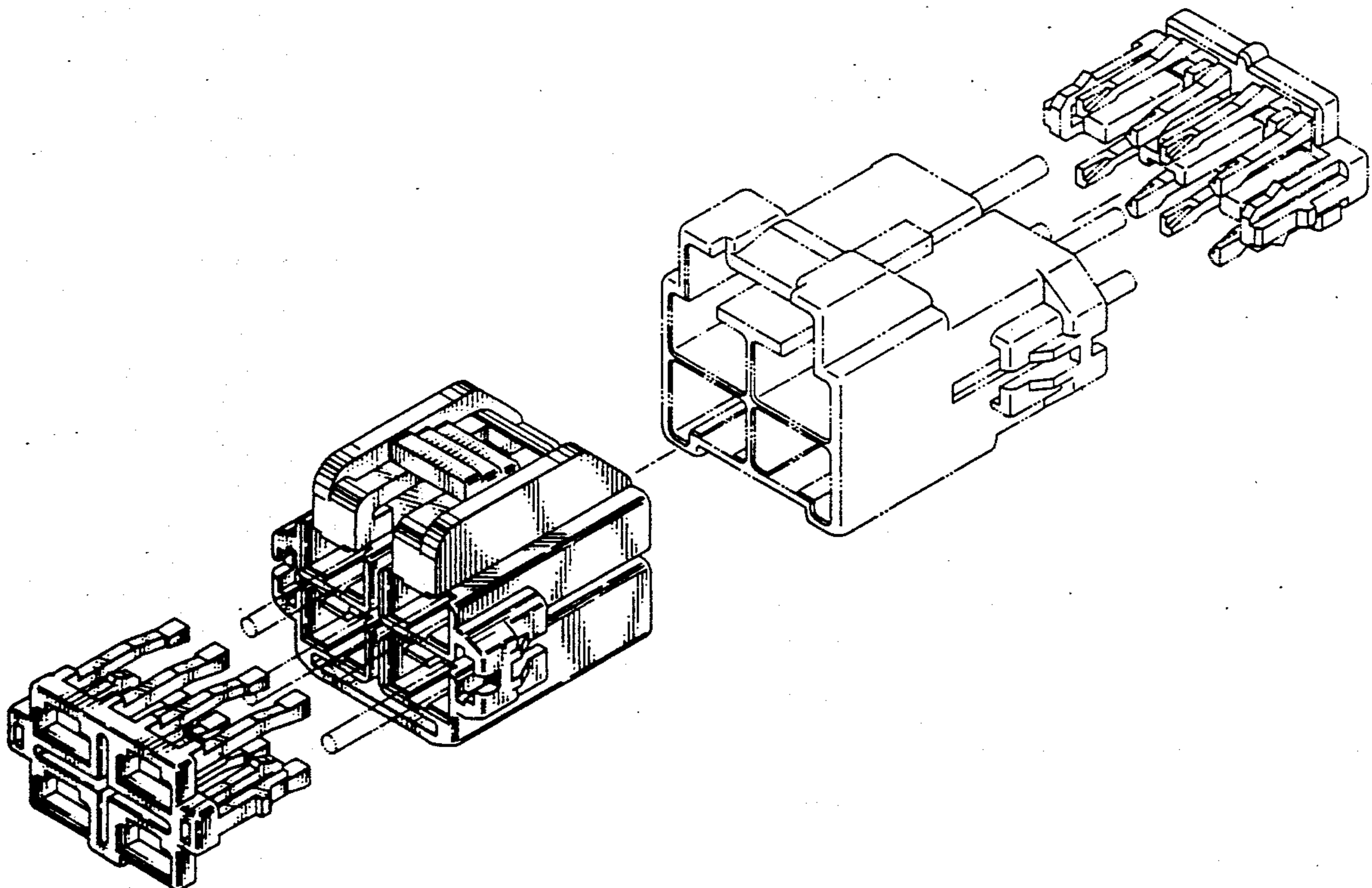


FIG. 1

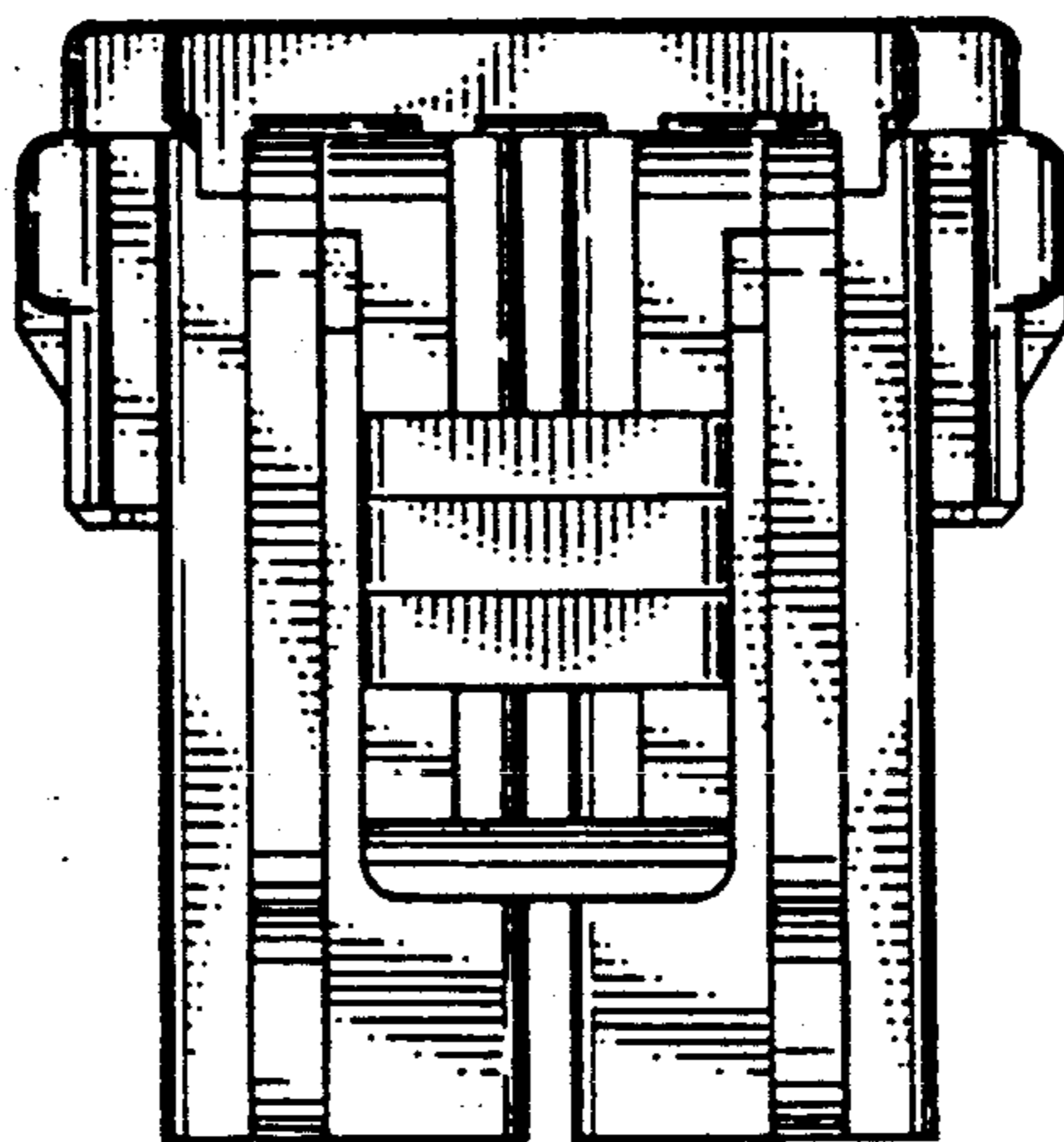


FIG. 2

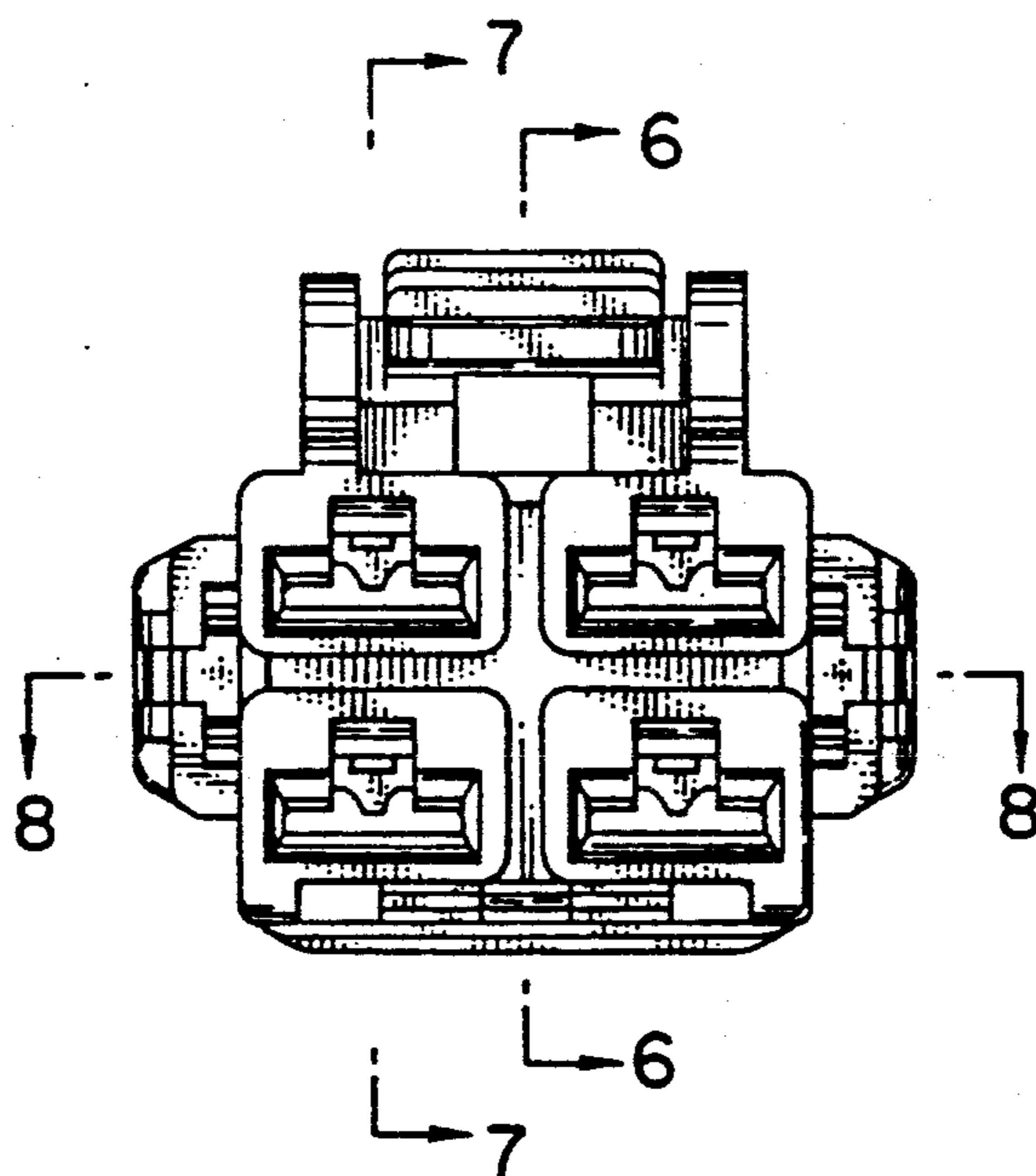


FIG. 3

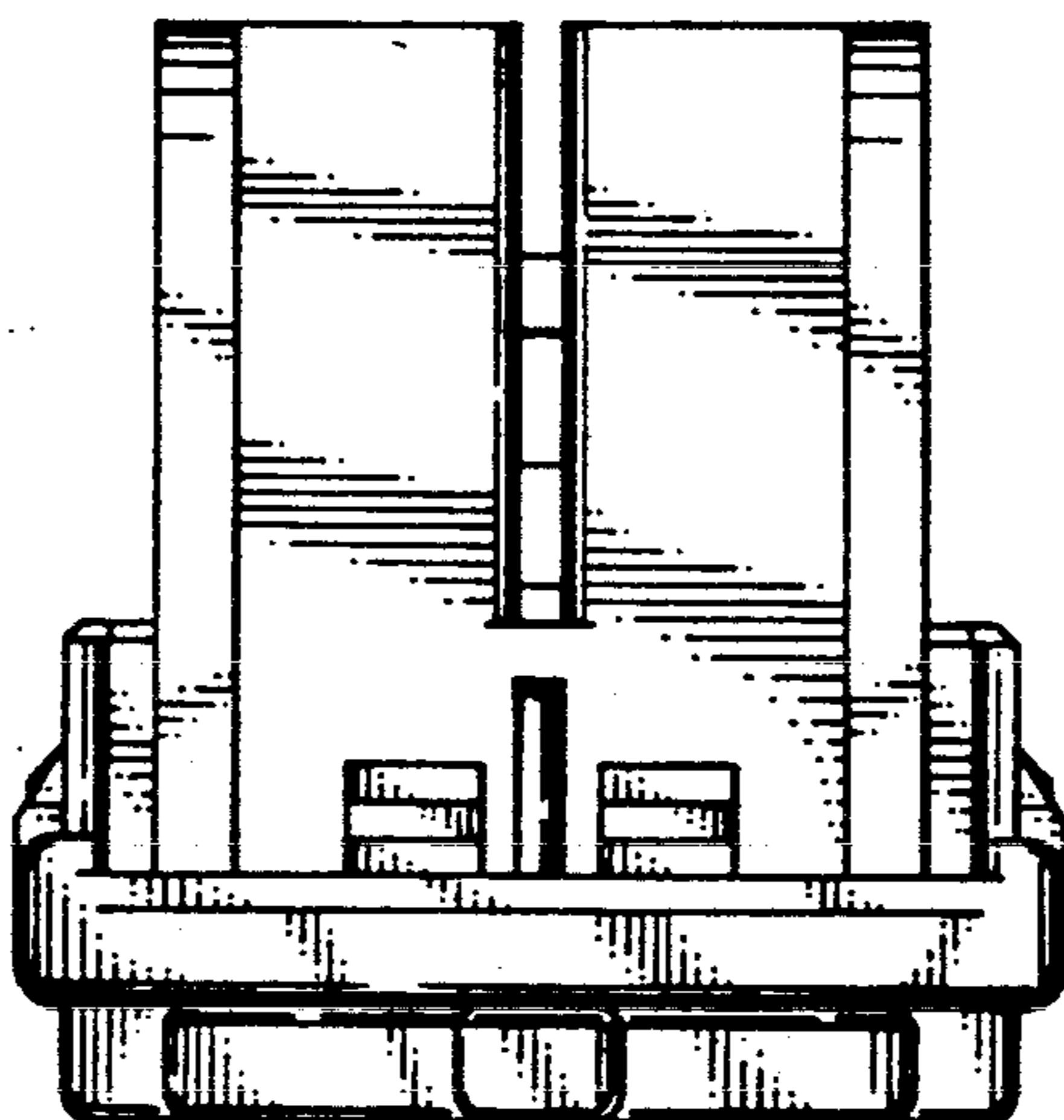


FIG. 4

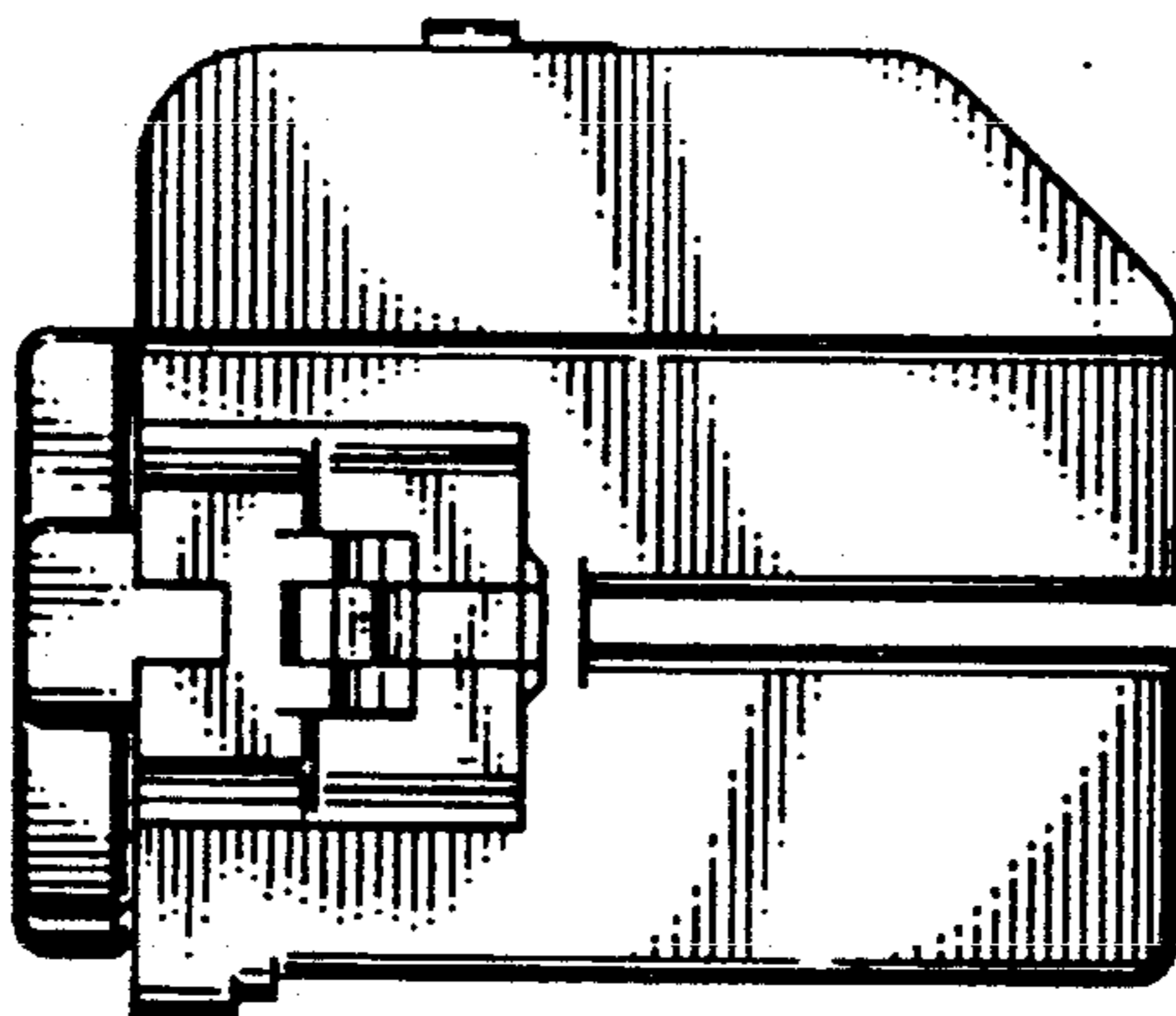


FIG. 5

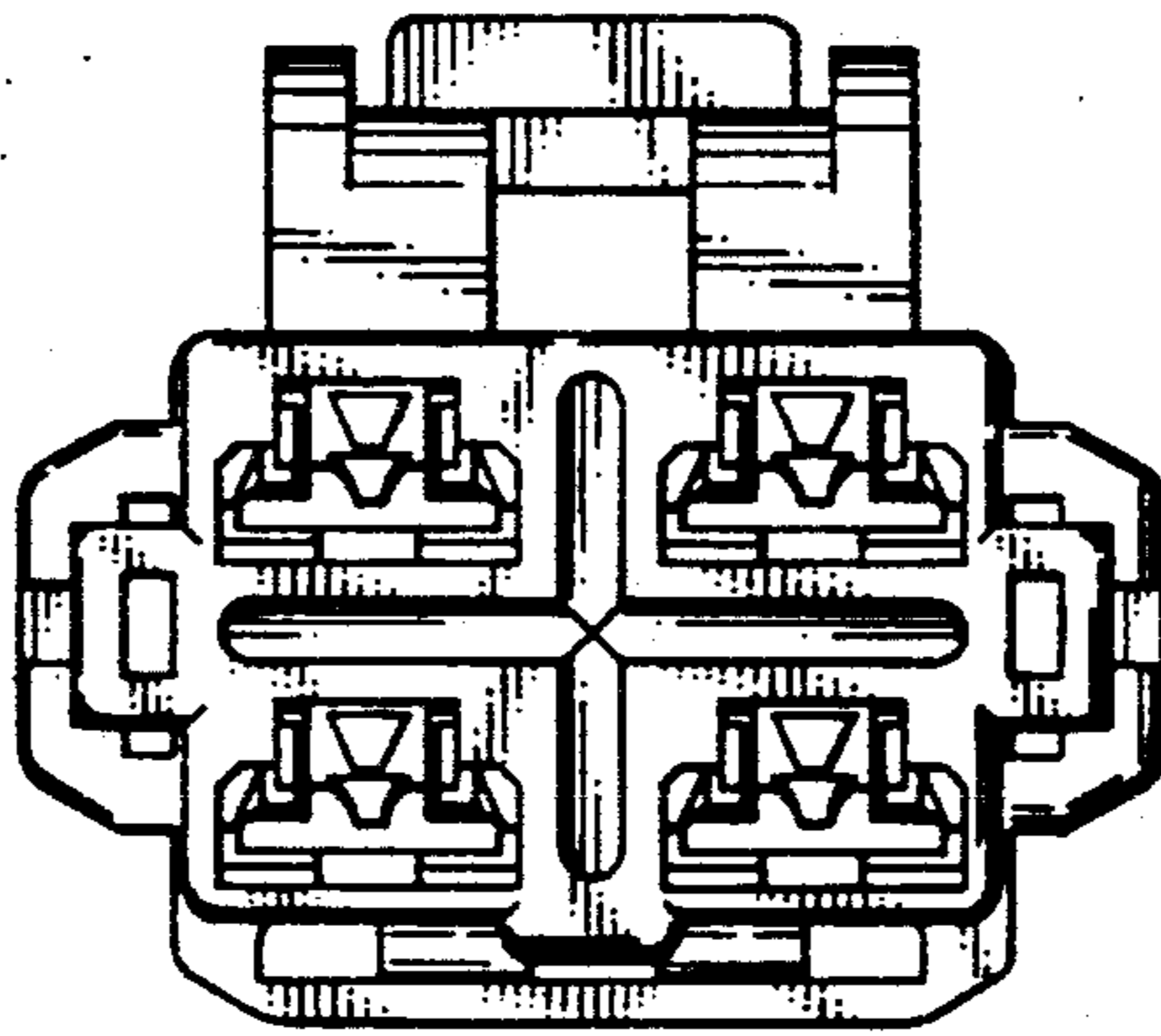


FIG. 6

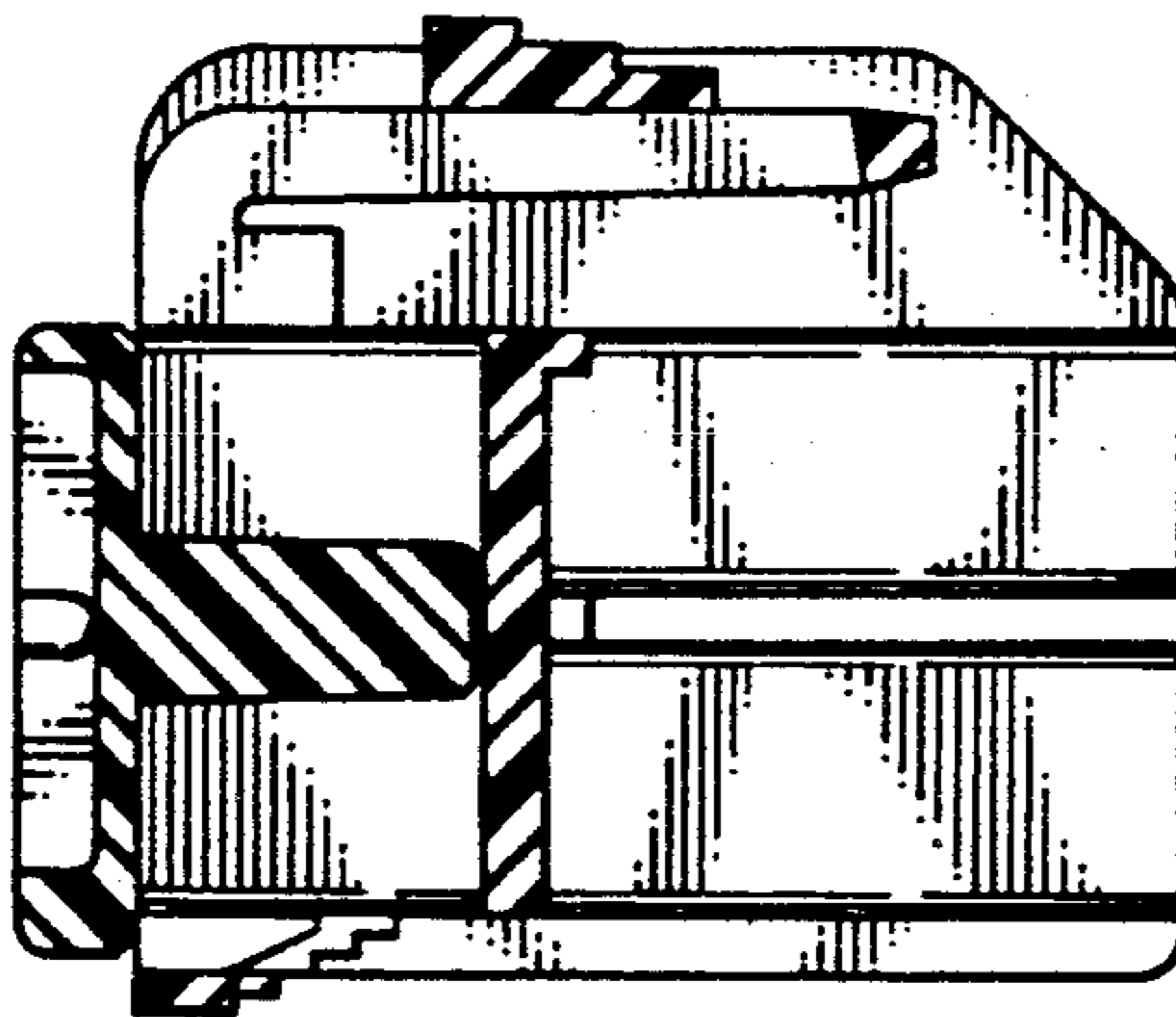




FIG. 7

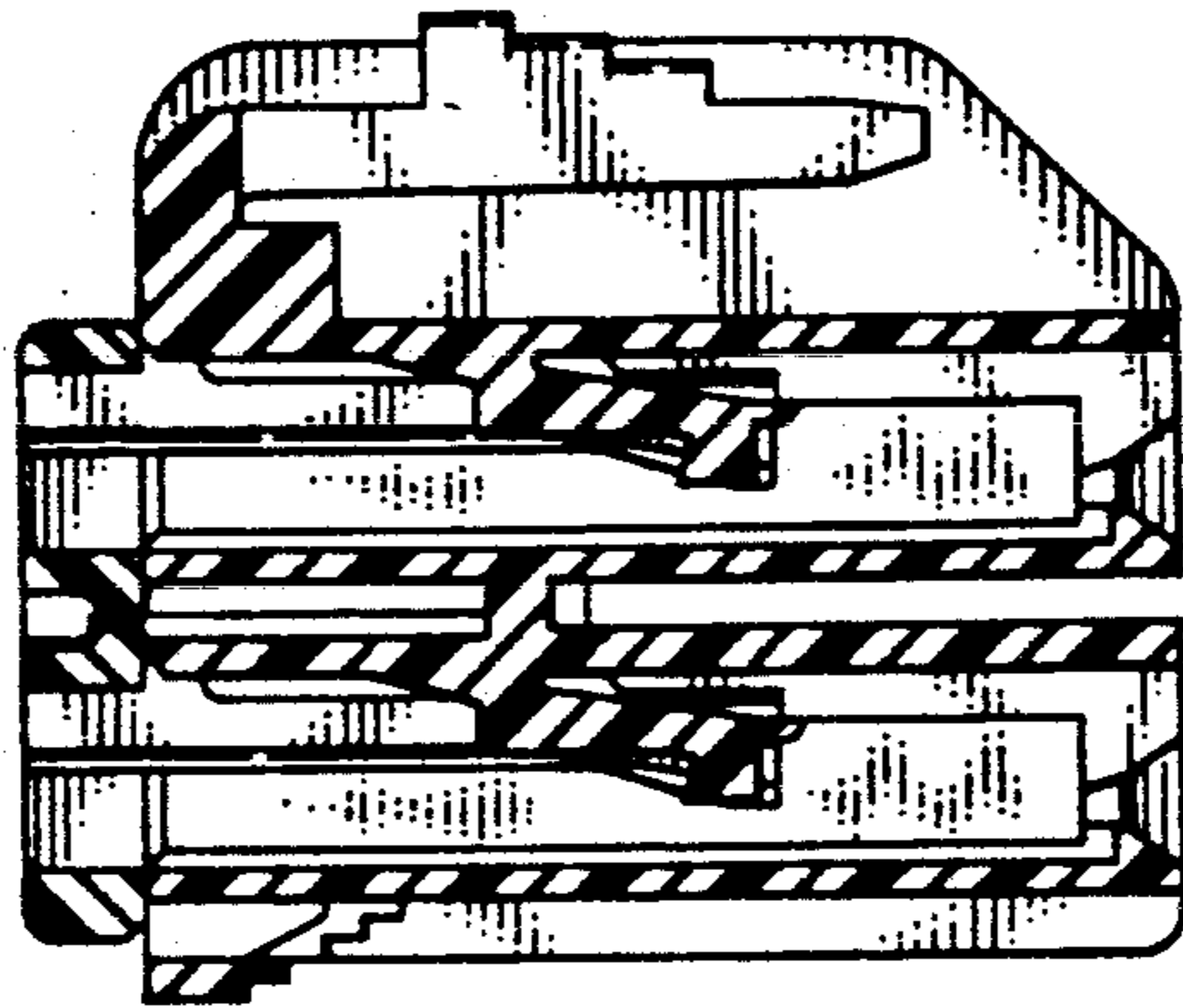
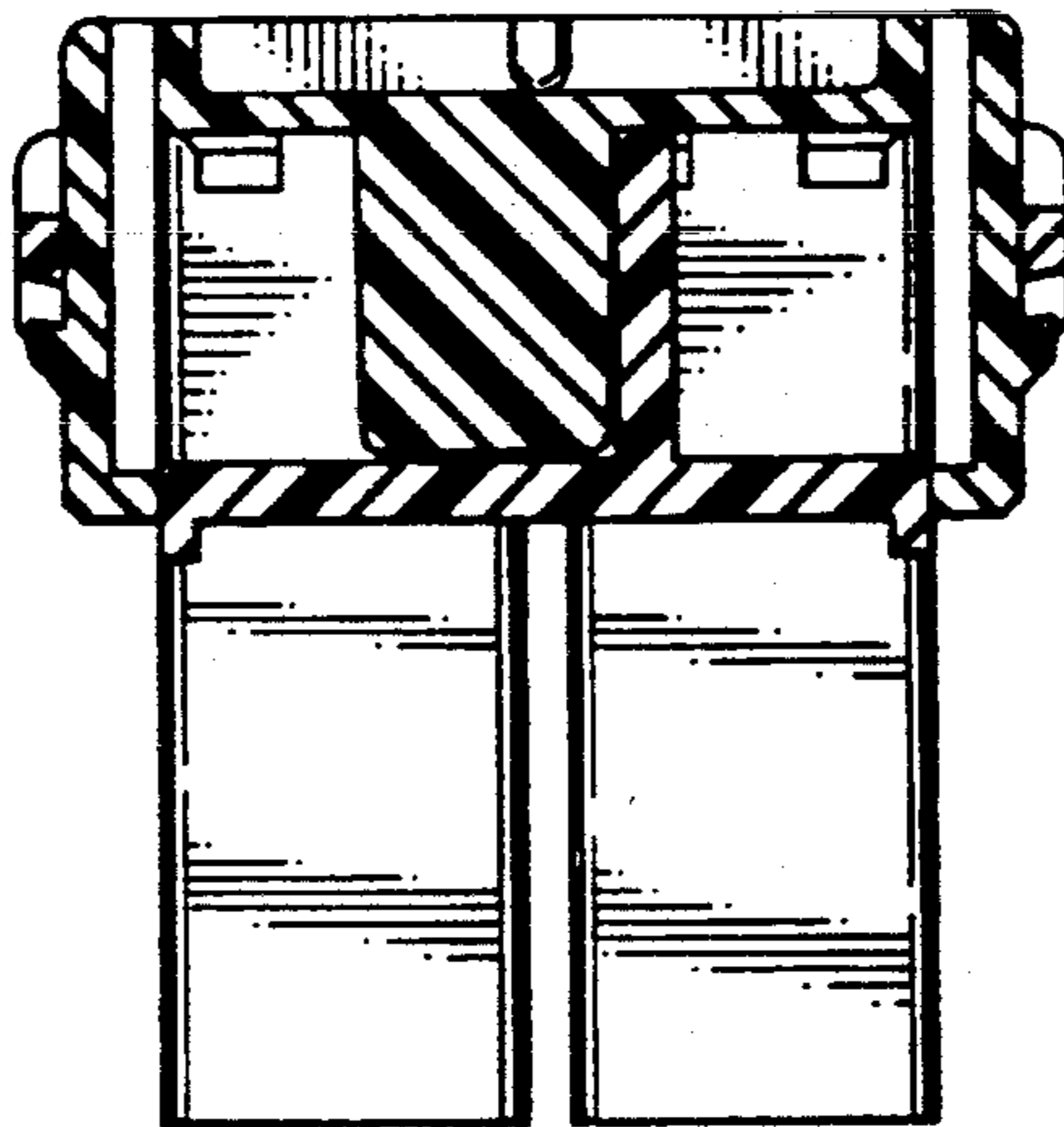


FIG. 8



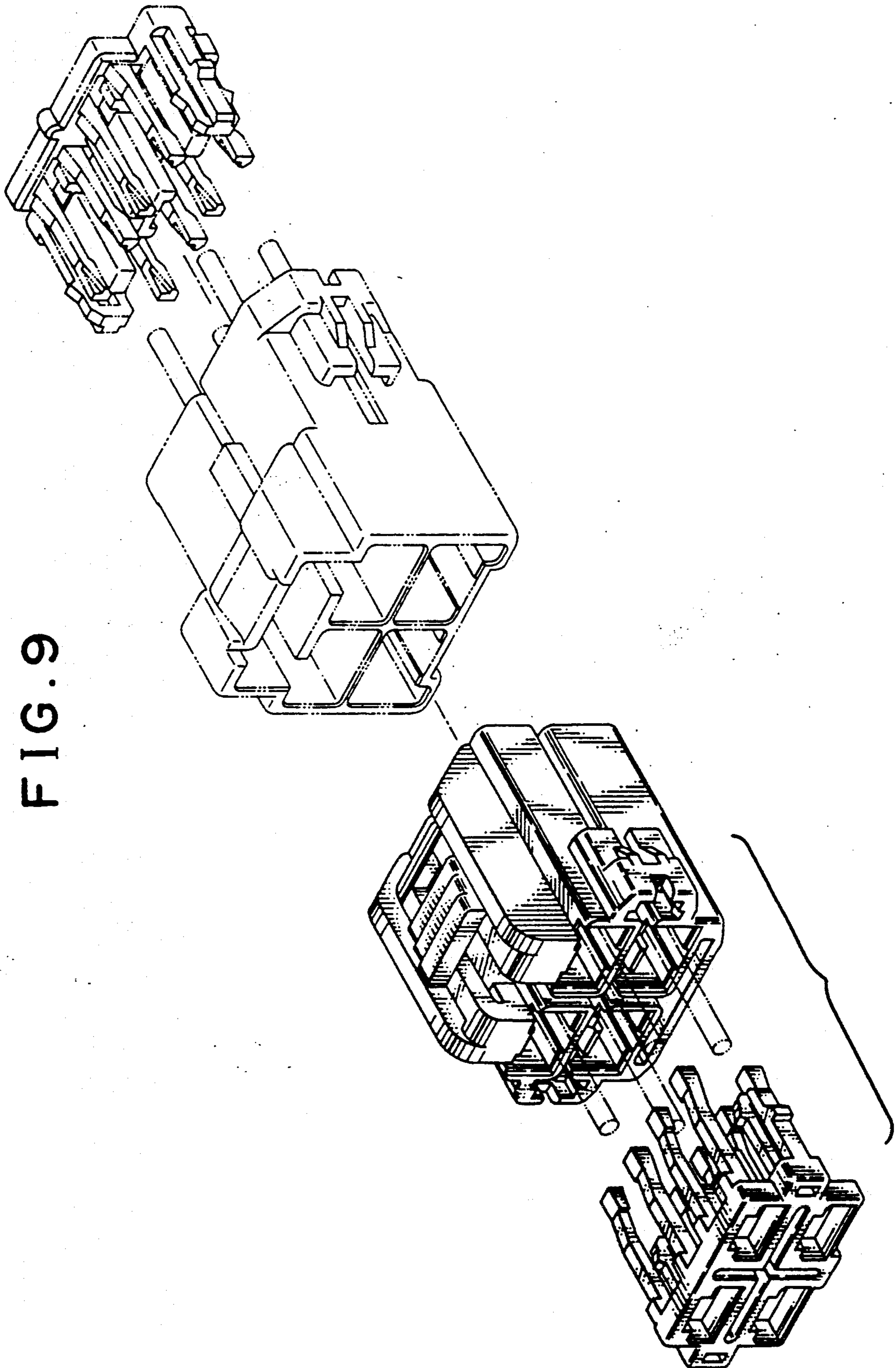


FIG. 9