



US00D323143S

United States Patent [19]

Ohkura et al.

[11] Patent Number: **Des. 323,143**

[45] Date of Patent: **** Jan. 14, 1992**

[54] **HOUSING FOR AN ELECTRICAL CONNECTOR**

[75] Inventors: **Kenji Ohkura, Hisai; Shinichi Uchida, Yokkaichi, both of Japan**

[73] Assignee: **Sumitomo Wiring Systems, Ltd., Yokkaichi, Japan**

[**] Term: **14 Years**

[21] Appl. No.: **441,397**

[22] Filed: **Nov. 22, 1989**

[30] **Foreign Application Priority Data**

Jun. 9, 1989 [JP] Japan 1-21424

[52] U.S. Cl. **D13/133**

[58] Field of Search D13/133, 146, 147; 439/271, 275, 279, 282, 293, 297, 350, 352, 353, 357, 358, 571, 586, 587, 589, 595, 596, 598, 600, 680, 682, 685, 686, 687, 695, 701, 724, 744, 748, 752

[56] **References Cited**

U.S. PATENT DOCUMENTS

- 4,017,141 4/1977 Bury et al. 439/596
- 4,455,056 6/1984 Herrmann, Jr. et al. 439/284 X
- 4,674,814 6/1987 Hoshino et al. 439/586
- 4,710,135 12/1987 Aoyama et al. 439/598 X

- 4,711,508 12/1987 Sueyoshi 439/595
- 4,749,372 6/1988 Betsui 439/587
- 4,946,404 8/1990 Takenouchi et al. 439/352
- 4,961,713 10/1990 McCracken et al. 439/587

Primary Examiner—Susan J. Lucas
Assistant Examiner—J. Sincavage
Attorney, Agent, or Firm—Nils H. Ljungman & Associates

[57] **CLAIM**

The ornamental design for a housing for an electrical connector, as shown and described.

DESCRIPTION

FIG. 1 is a front and upper right perspective view of a housing for an electrical connector showing our new design;
FIG. 2 is a top plan view thereof;
FIG. 3 is a front elevational view thereof;
FIG. 4 is a bottom plan view thereof;
FIG. 5 is a right side elevational view thereof, the left side-elevational view thereof being a mirror image;
FIG. 6 is a rear elevational view thereof; and
FIG. 7 is a cross-sectional view thereof taken along line 7—7 of FIG. 3.

The broken line showing of the aperatures on the front and rear is included for the purpose of illustrating environmental elements only and forms no part of the claimed design.

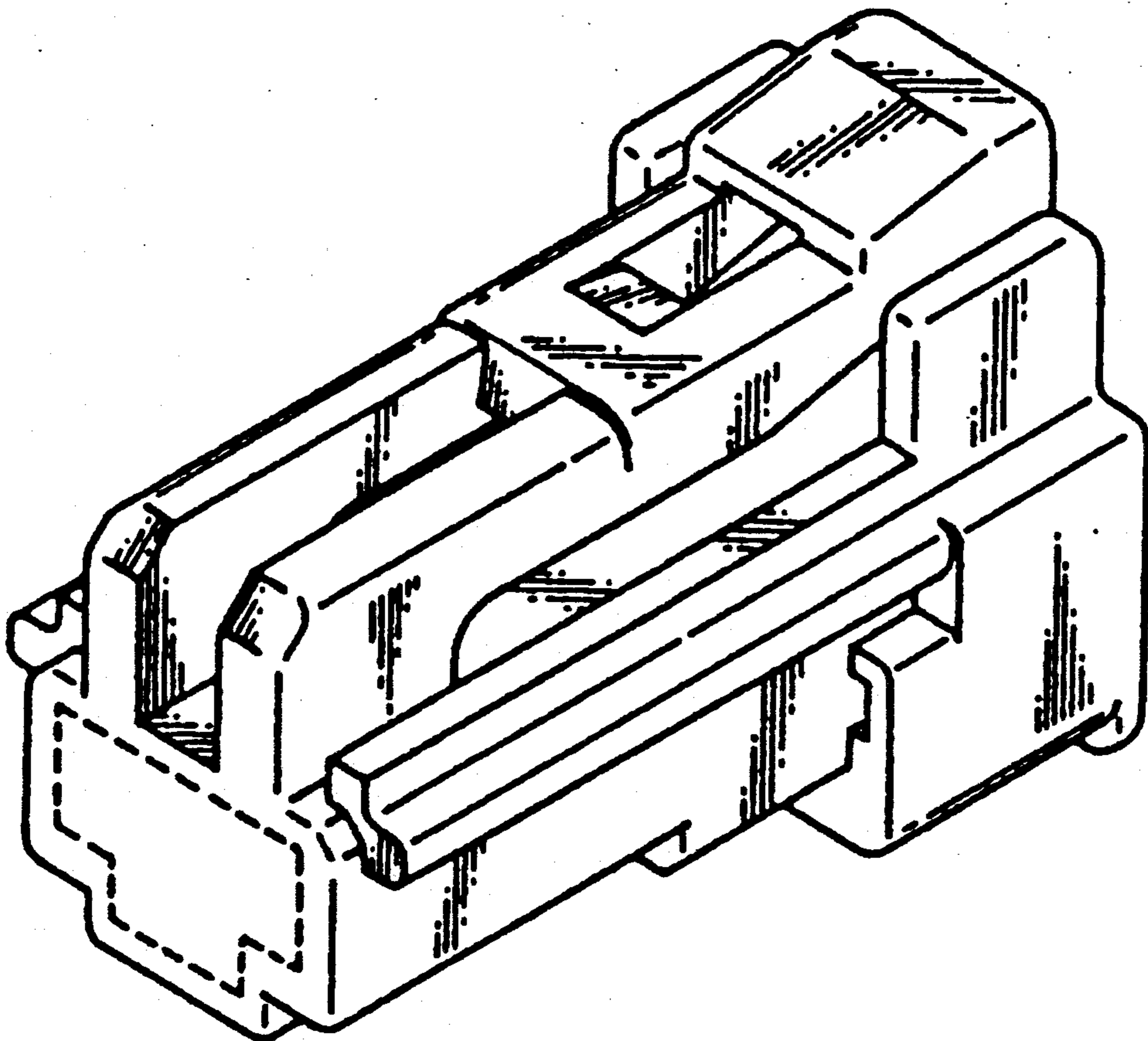


FIG. 1

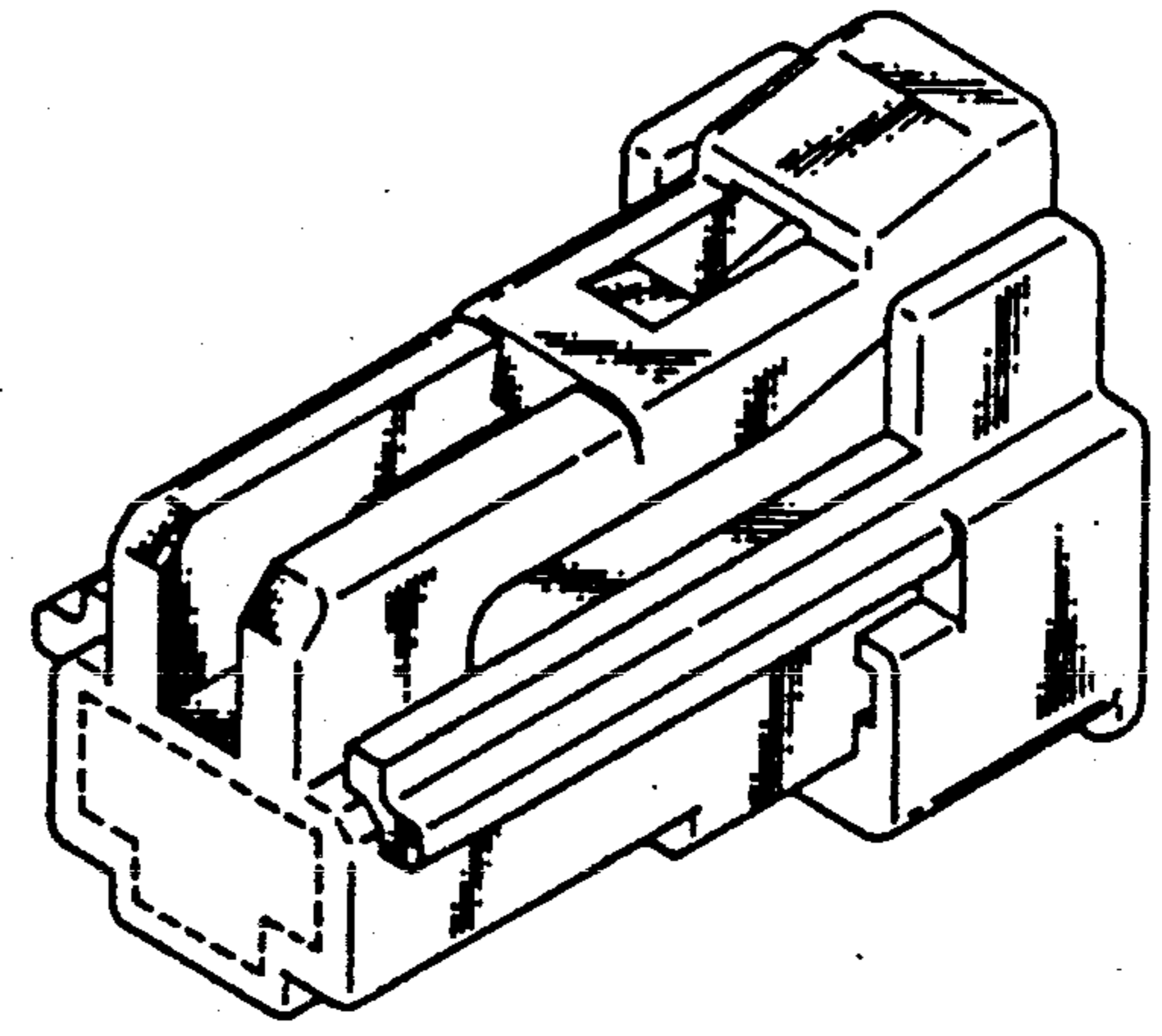


FIG. 2

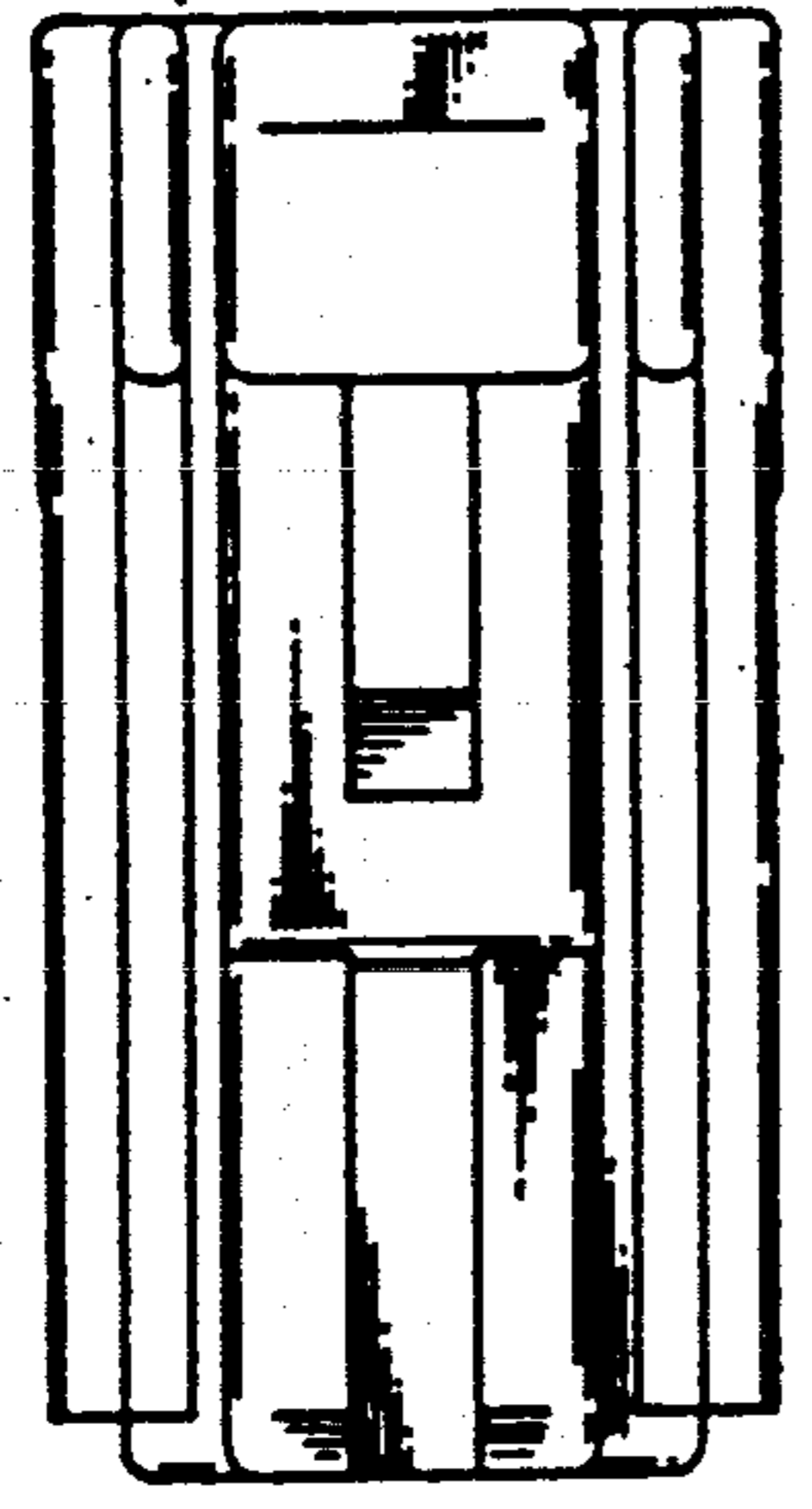


FIG. 5

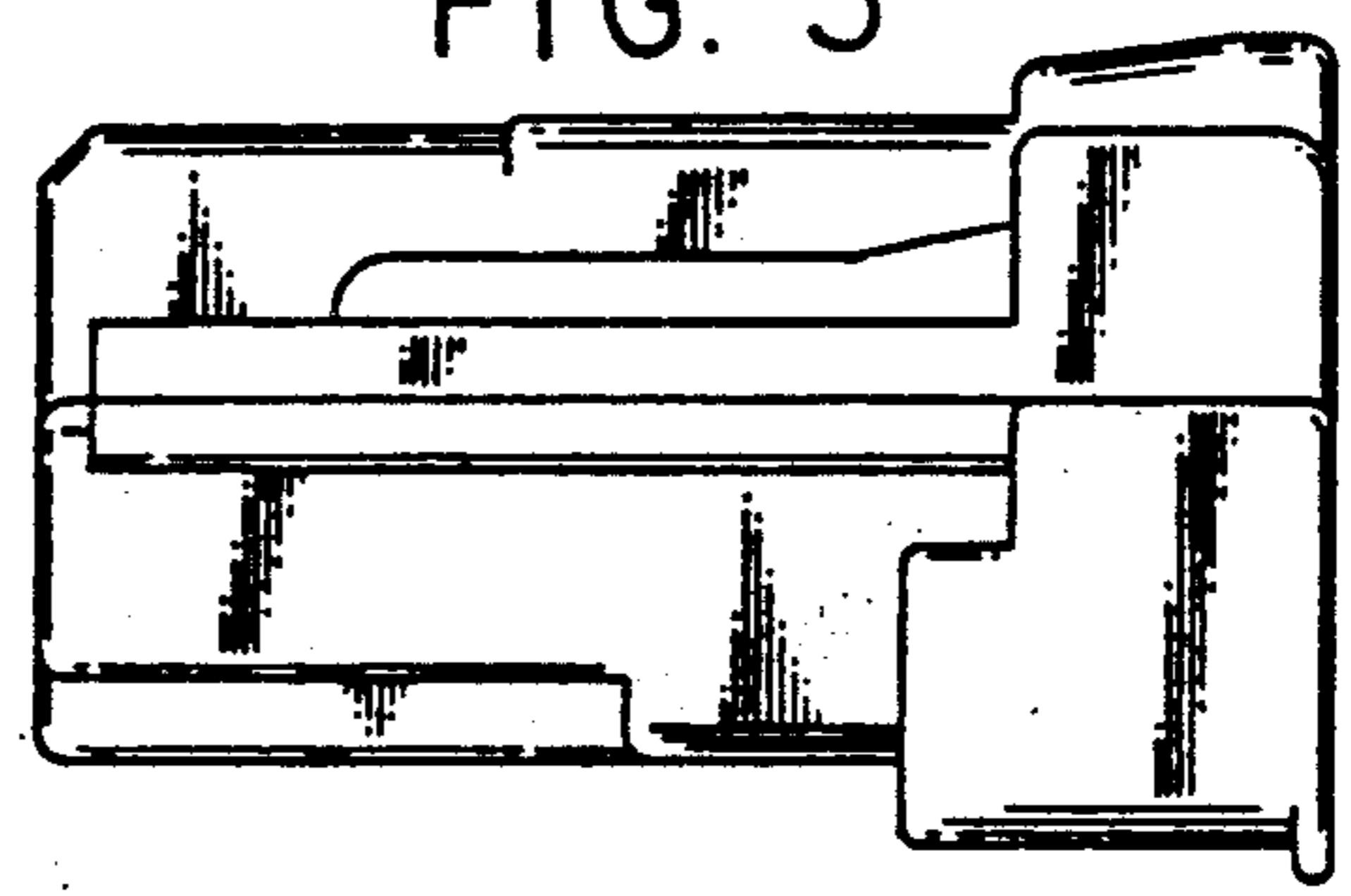


FIG. 3

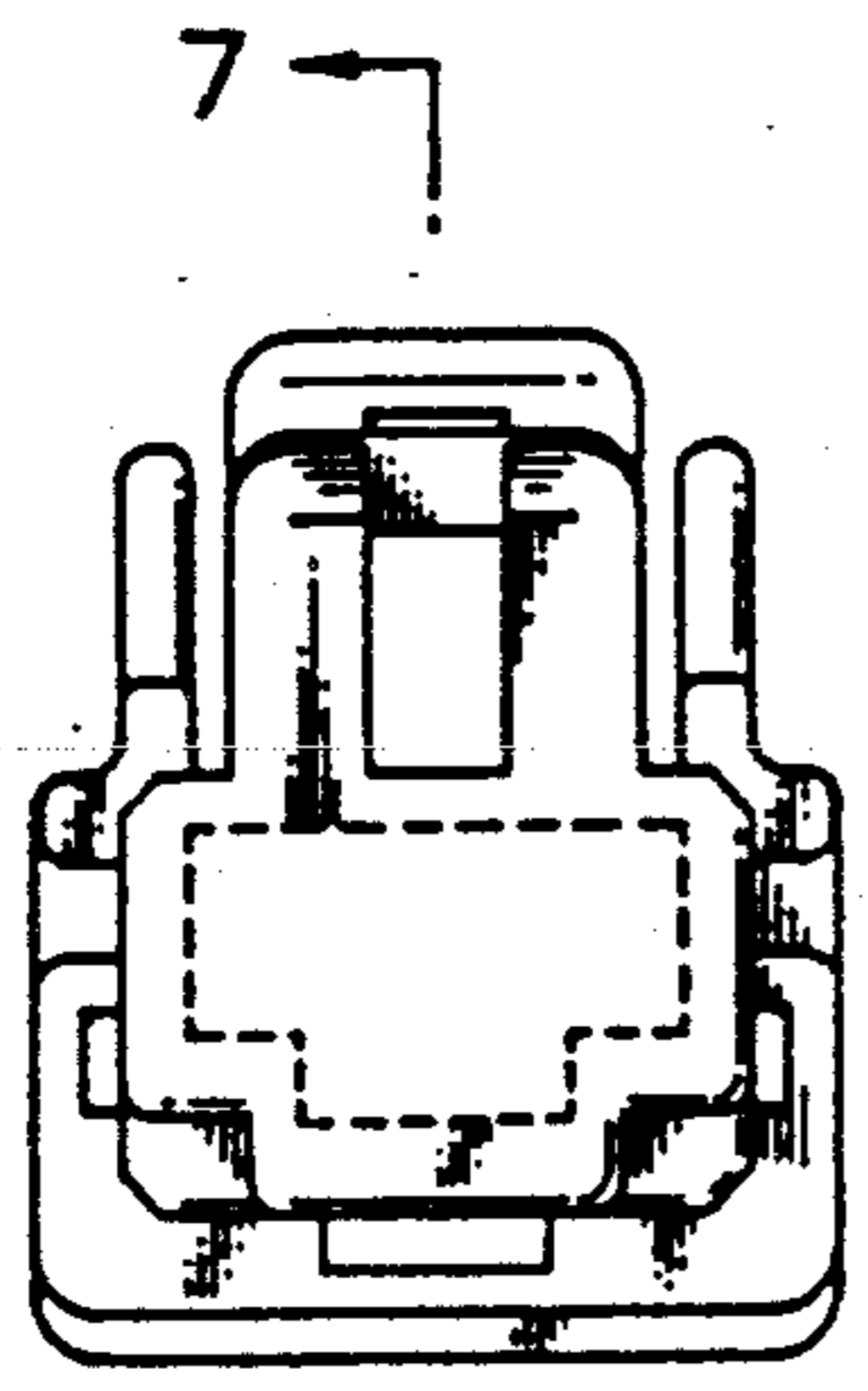
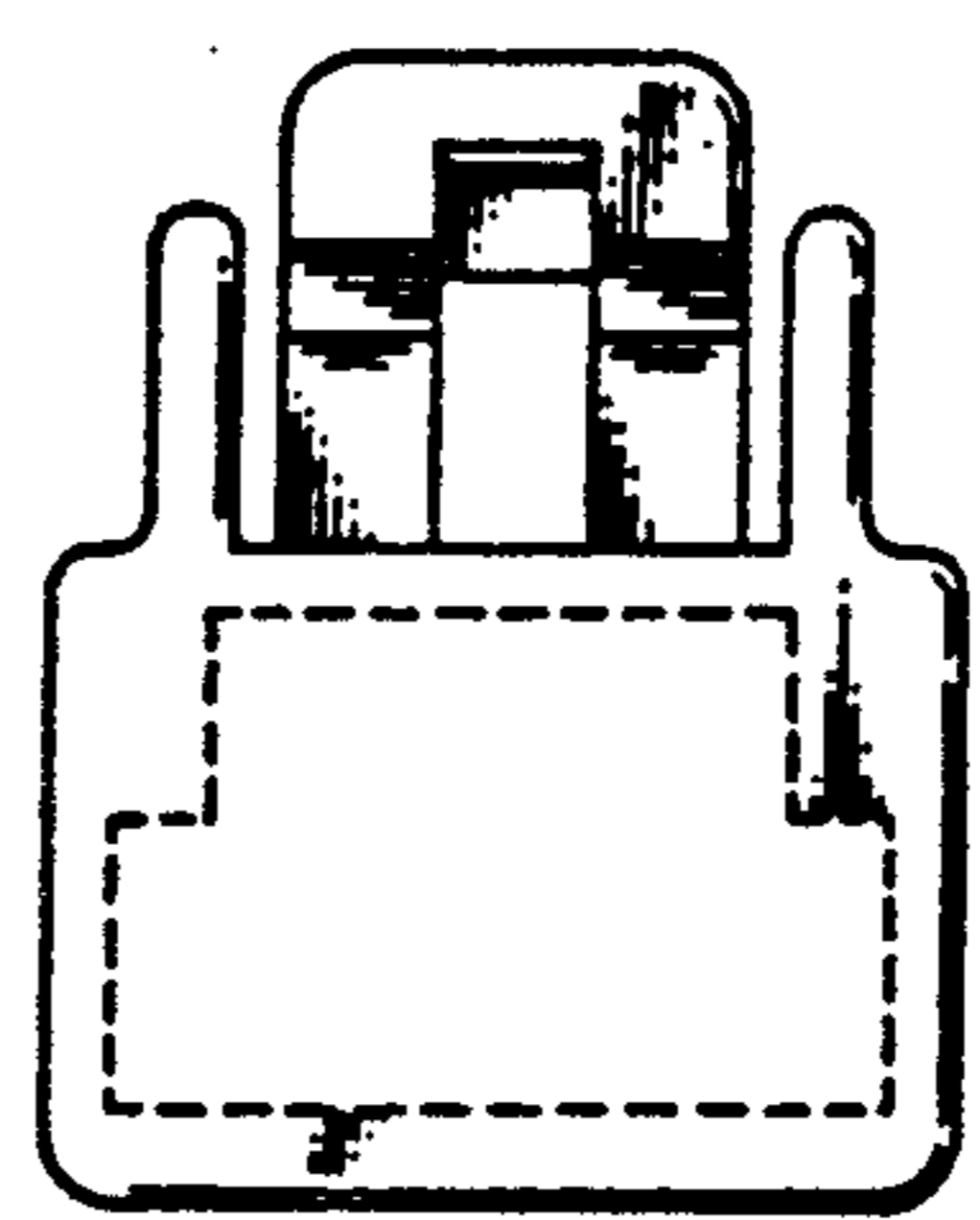


FIG. 6



7

FIG. 4

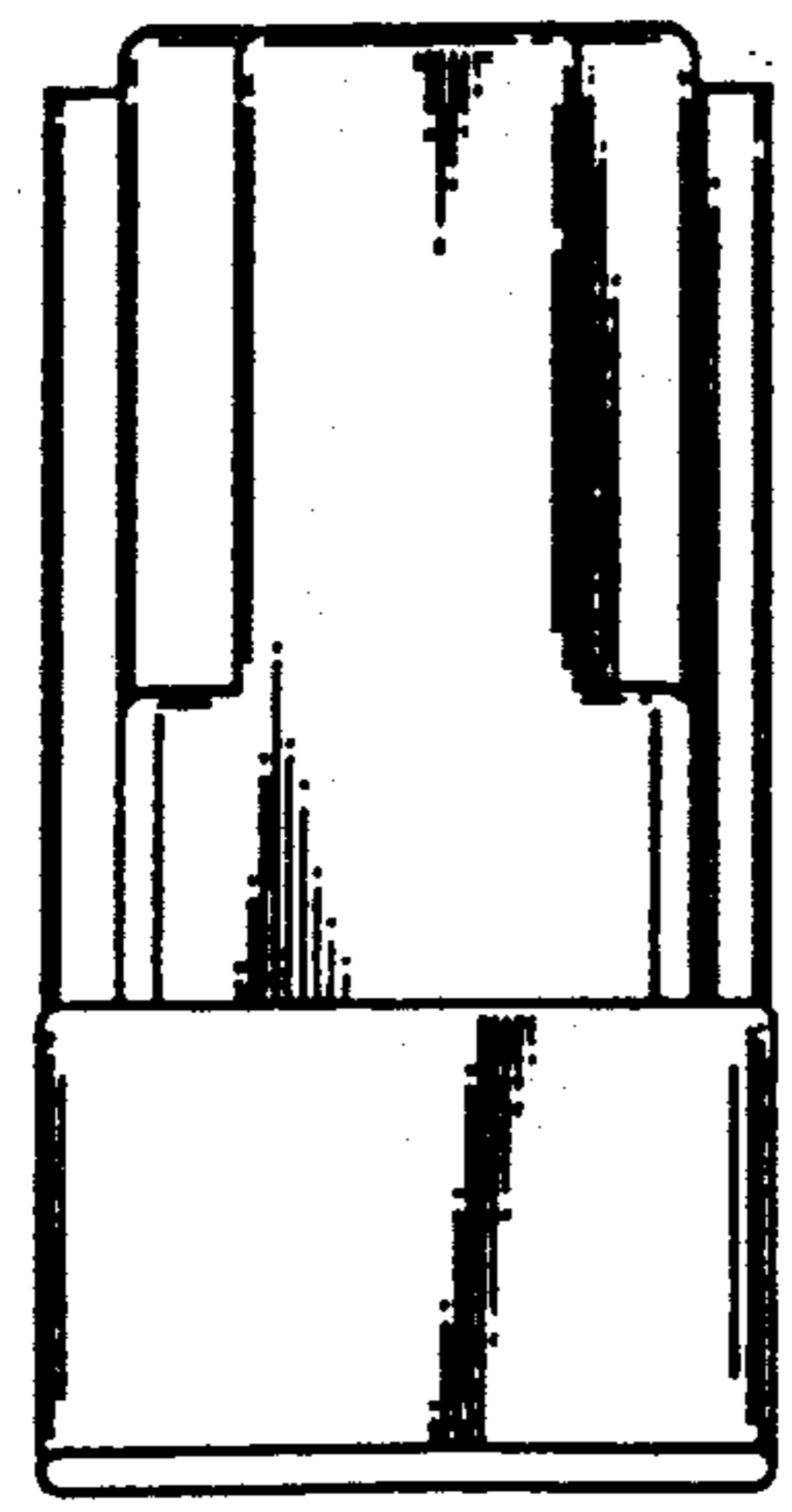


FIG. 7

