



US00D323142S

United States Patent [19]

[11] Patent Number: **Des. 323,142**

Nagasaka et al.

[45] Date of Patent: **** Jan. 14, 1992**

[54] ELECTRICAL CONNECTOR HOUSING

[75] Inventors: **Yasuhiro Nagasaka; Yasuo Hirayama**, both of Toyota; **Yoshitsugu Sawada; Yukio Ohta**, both of Shizuoka, all of Japan

[73] Assignee: **Yazaki Corporation**, Tokyo, Japan

[**] Term: **14 Years**

[21] Appl. No.: **395,395**

[22] Filed: **Aug. 17, 1989**

[30] Foreign Application Priority Data

Feb. 23, 1989 [JP] Japan 1-6433

[52] U.S. Cl. **D13/133**

[58] Field of Search D13/146, 147; 439/147, 439/246, 247, 282, 292, 293, 345, 350, 352, 353, 357, 358, 577, 586, 587, 595, 598, 600, 680, 686, 695, 701, 724

[56] References Cited

U.S. PATENT DOCUMENTS

- D. 226,065 11/1972 Baumanis D13/147
- D. 310,993 10/1990 Ohkura et al. D13/146
- D. 312,616 12/1990 Makita et al. D13/154
- D. 313,970 1/1991 Reeves D13/147
- D. 314,942 2/1991 Sato et al. D13/147
- 3,146,051 8/1964 Woofter et al. 439/279 X
- 4,740,173 4/1988 Justiano et al. 439/744 X
- 4,961,713 10/1990 McCracken et al. 439/589 X

FOREIGN PATENT DOCUMENTS

2802680 8/1978 Fed. Rep. of Germany 439/350

OTHER PUBLICATIONS

Nytype push mountable fastener in Heyco Publication HMP/723 2/85.

Primary Examiner—Susan J. Lucas
Assistant Examiner—J. Sincavage
Attorney, Agent, or Firm—Armstrong, Nikaido, Marmelstein, Kubovcik & Murray

[57] CLAIM

The ornamental design for an electrical connector housing, as shown and described.

DESCRIPTION

FIG. 1 is a top plan view of an electrical connector housing showing our new design;
 FIG. 2 is a front elevational view thereof;
 FIG. 3 is a bottom plan view thereof;
 FIG. 4 is a left side elevational view thereof;
 FIG. 5 is a right side elevational view thereof;
 FIG. 6 is a rear elevational view thereof;
 FIG. 7 is a cross-sectional view thereof, taken along line 7—7 of FIG. 2;
 FIG. 8 is a cross-sectional view thereof, taken along line 8—8 of FIG. 2;
 FIG. 9 is a perspective view thereof, as seen primarily from the top; and
 FIG. 10 is a perspective view thereof, as seen primarily from the bottom.

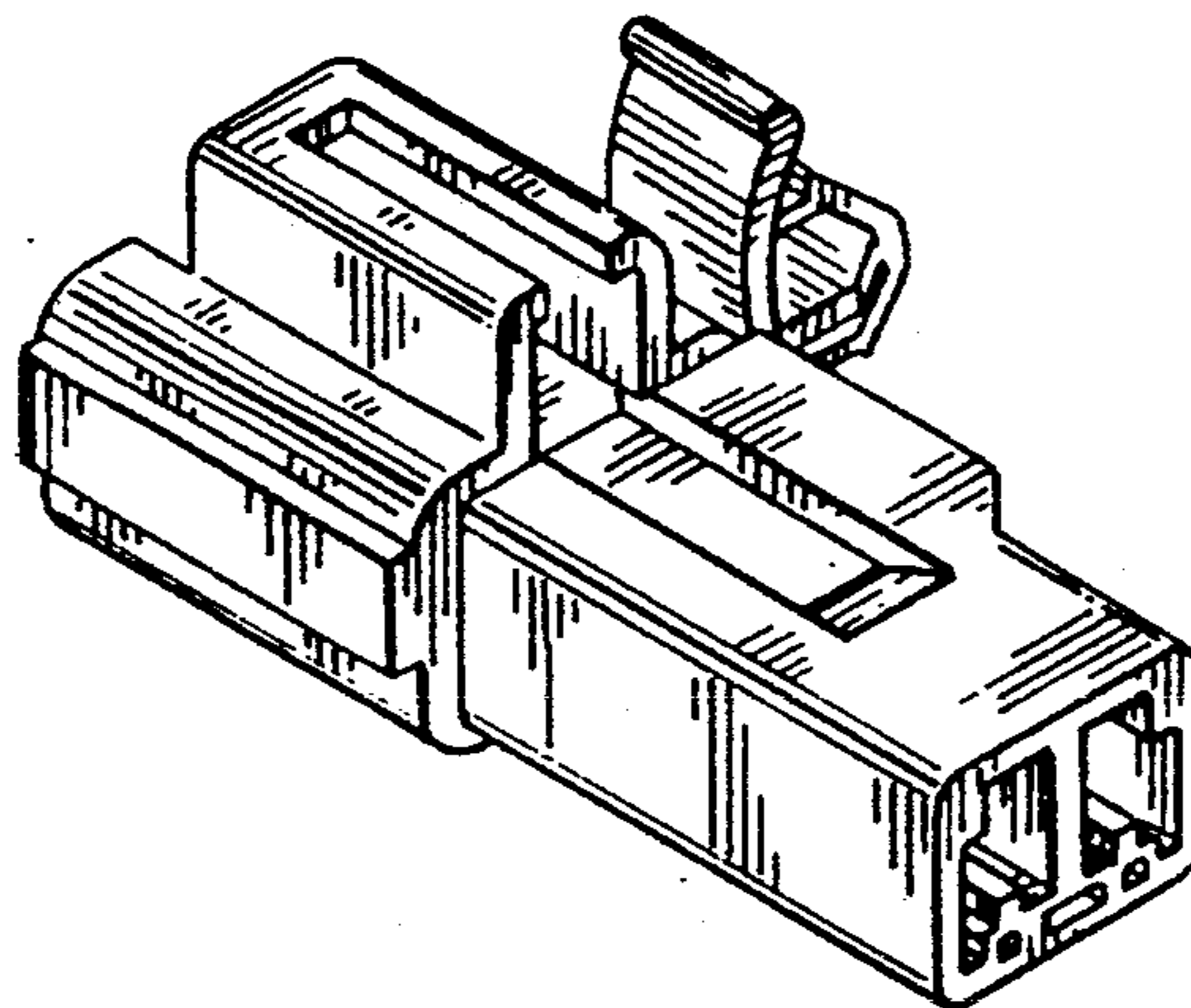


FIG. 1

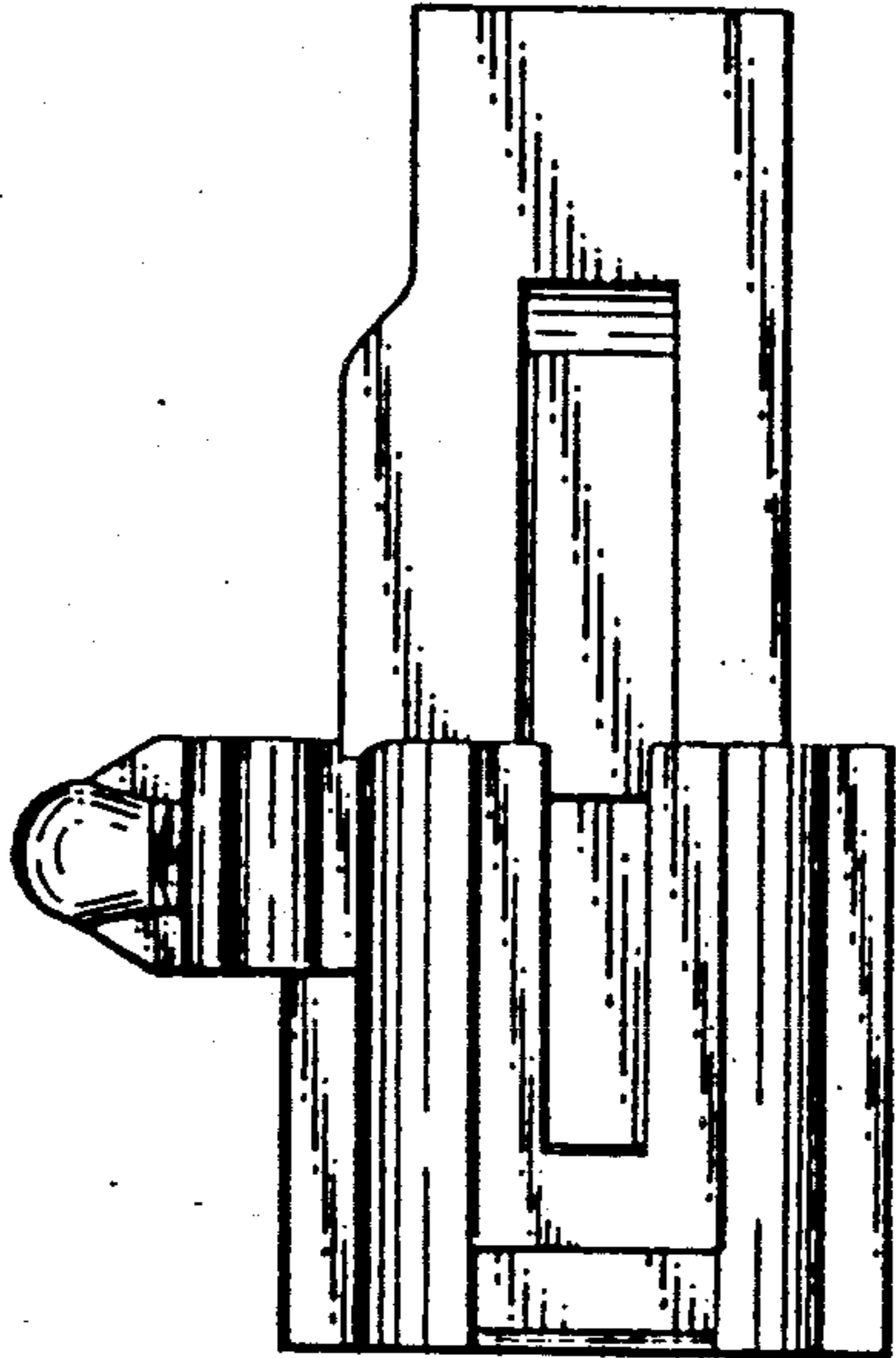


FIG. 3

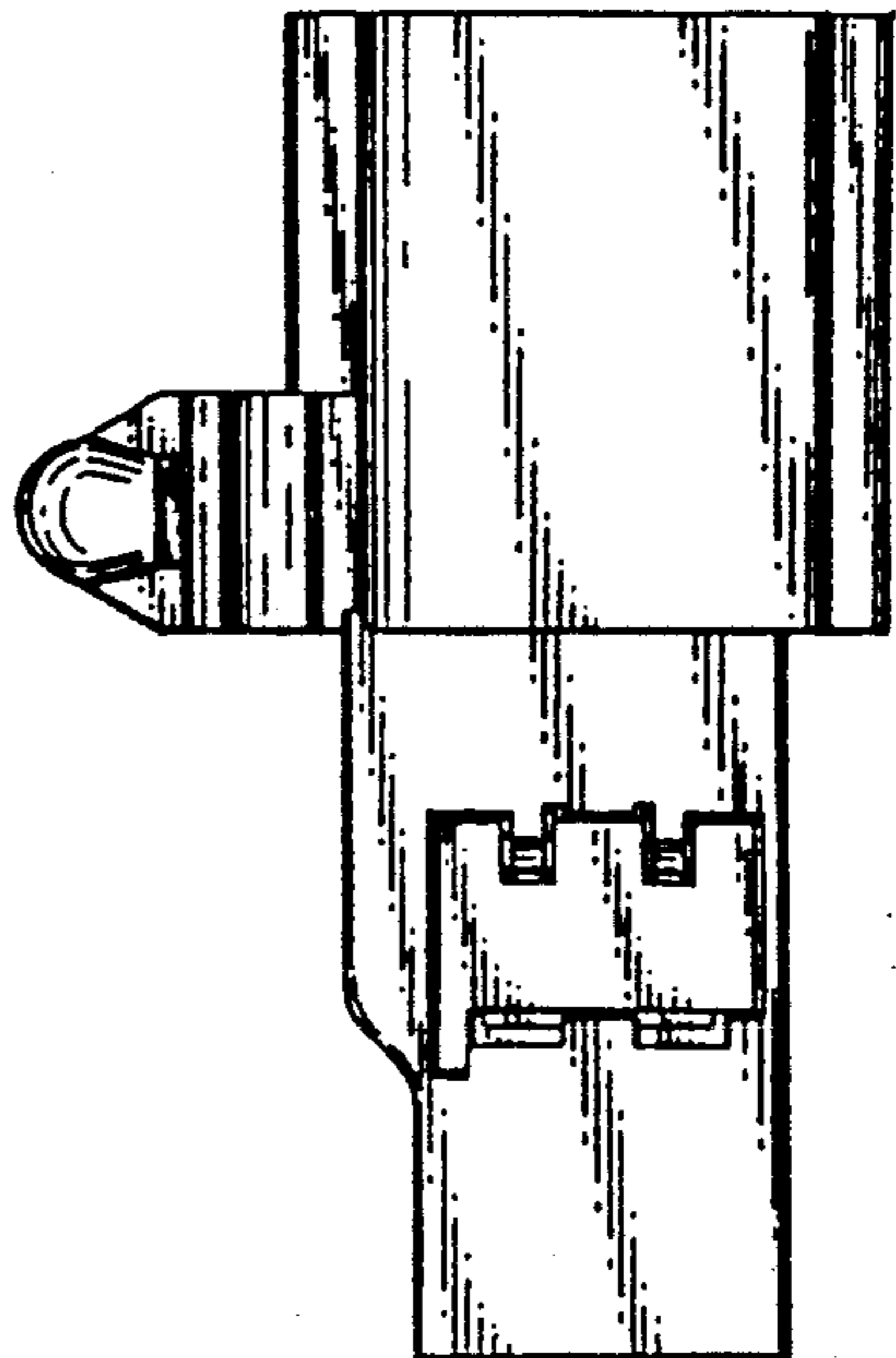


FIG. 2

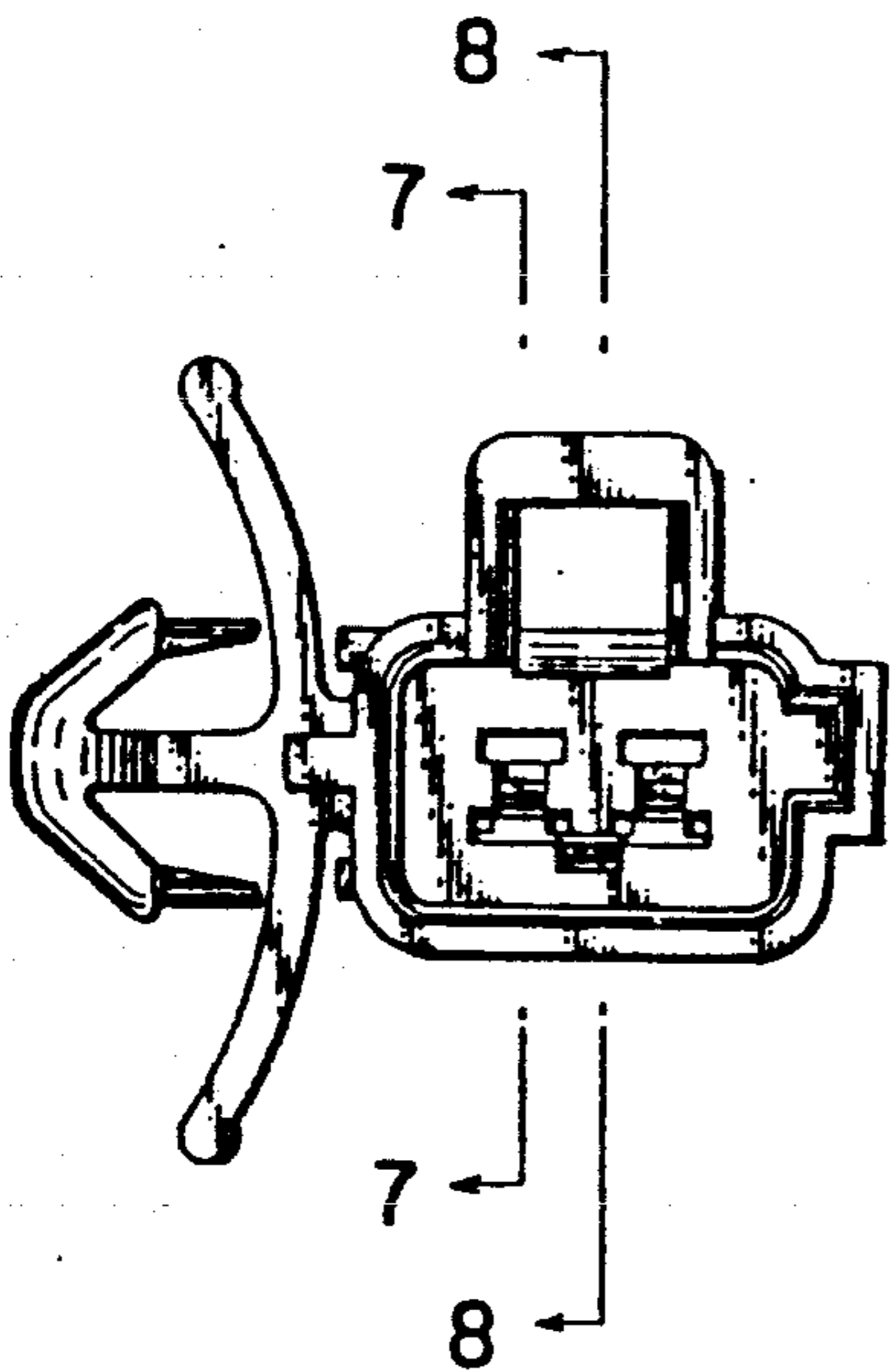


FIG. 4

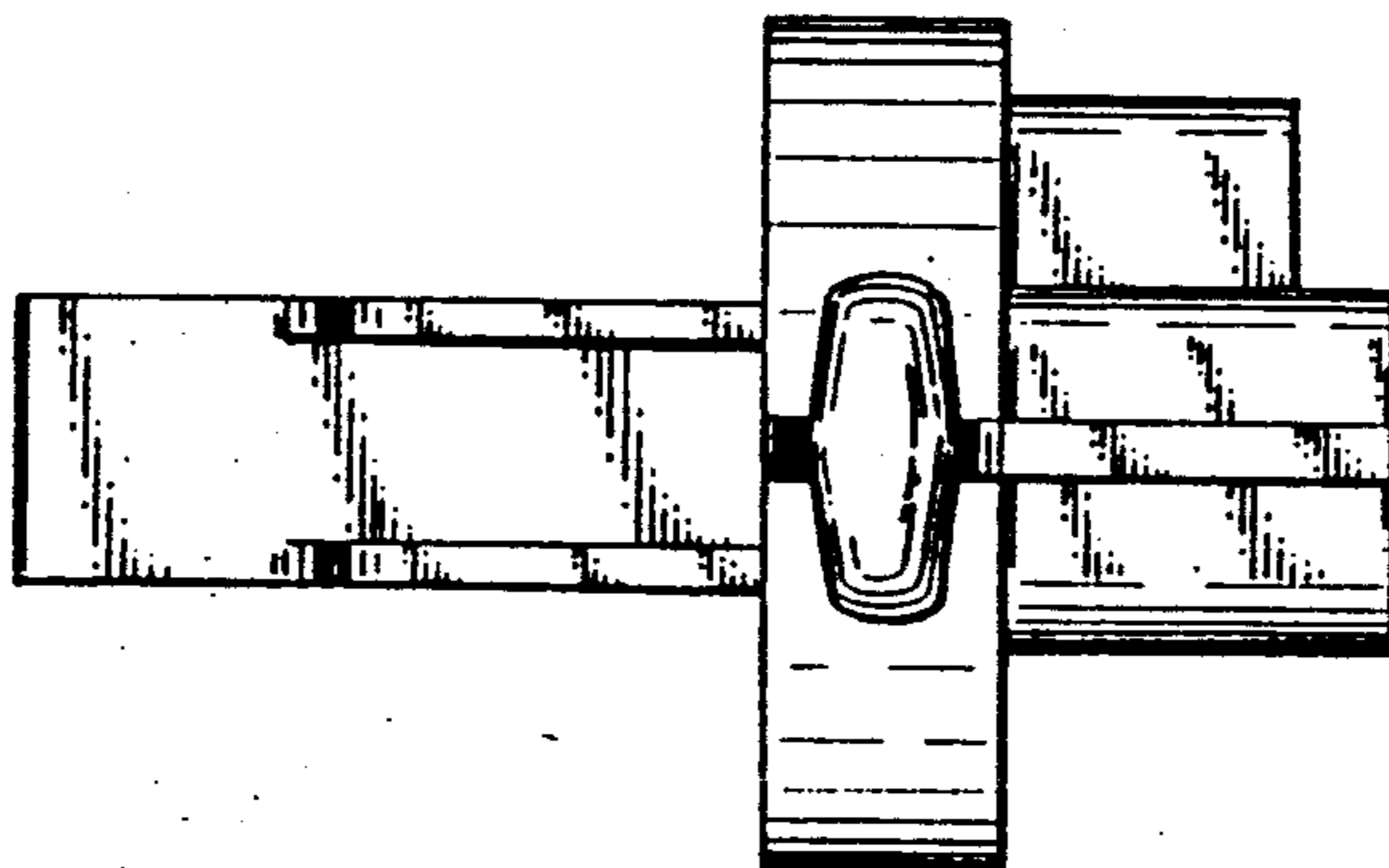


FIG. 5

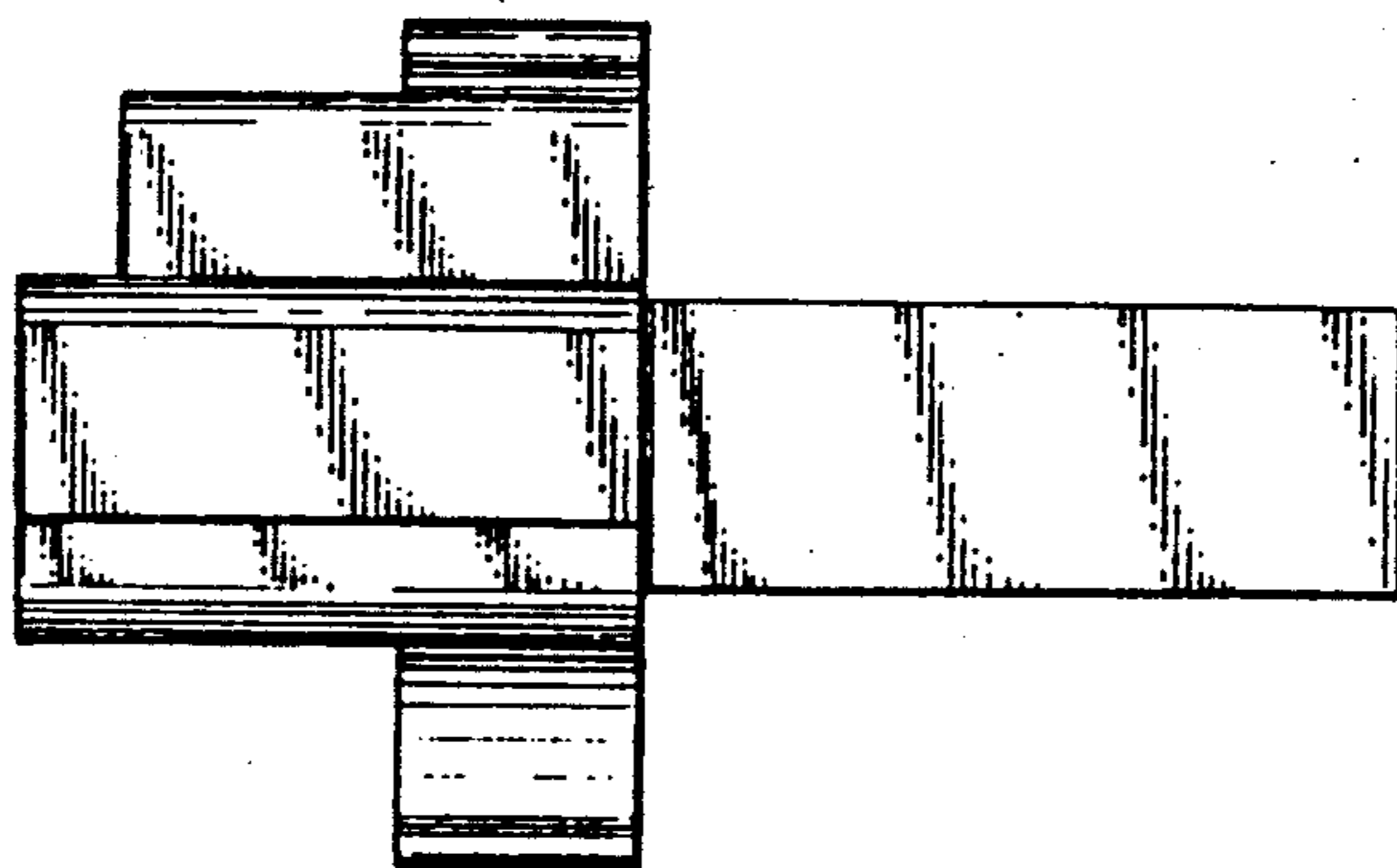


FIG. 6

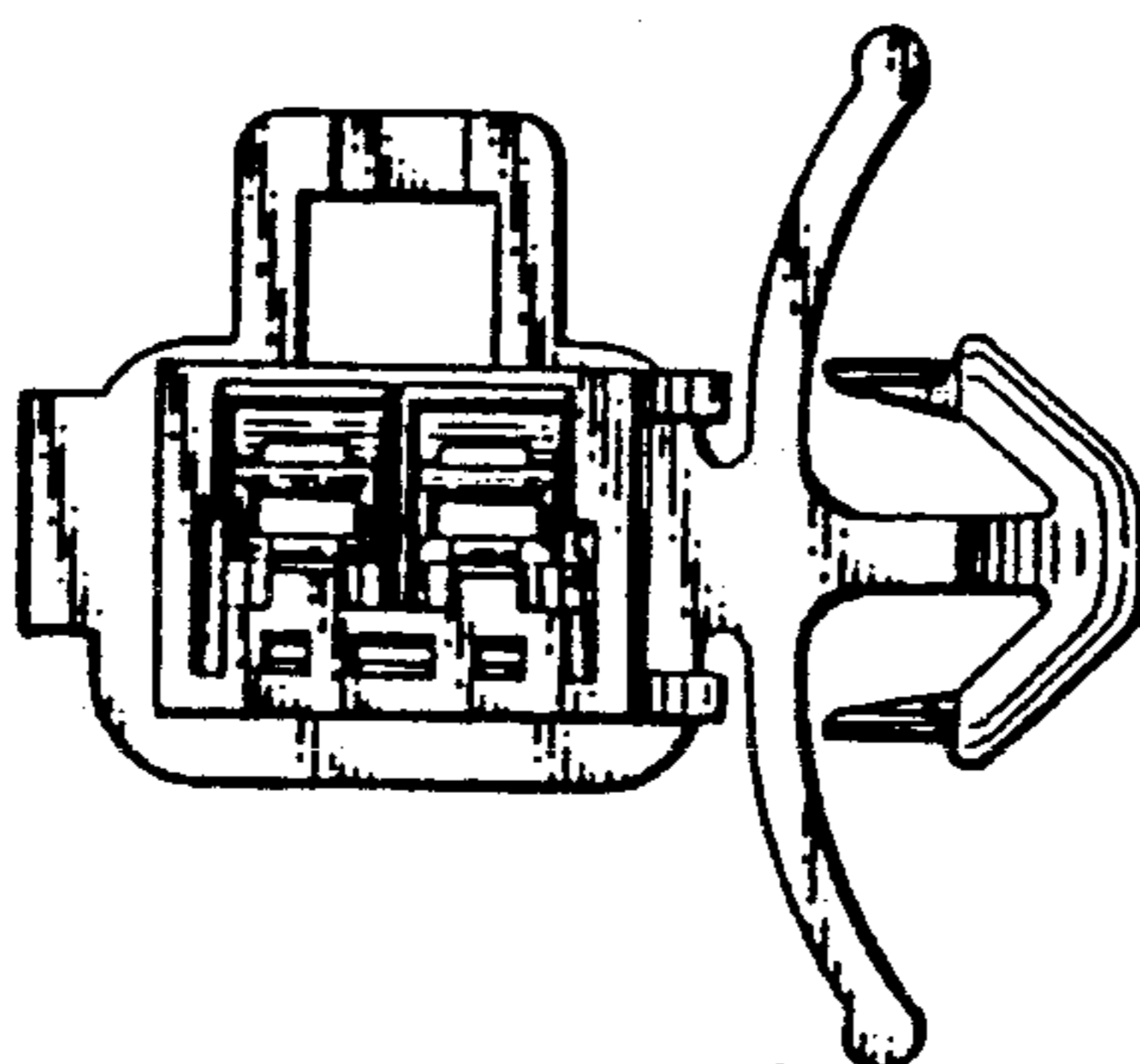


FIG. 7

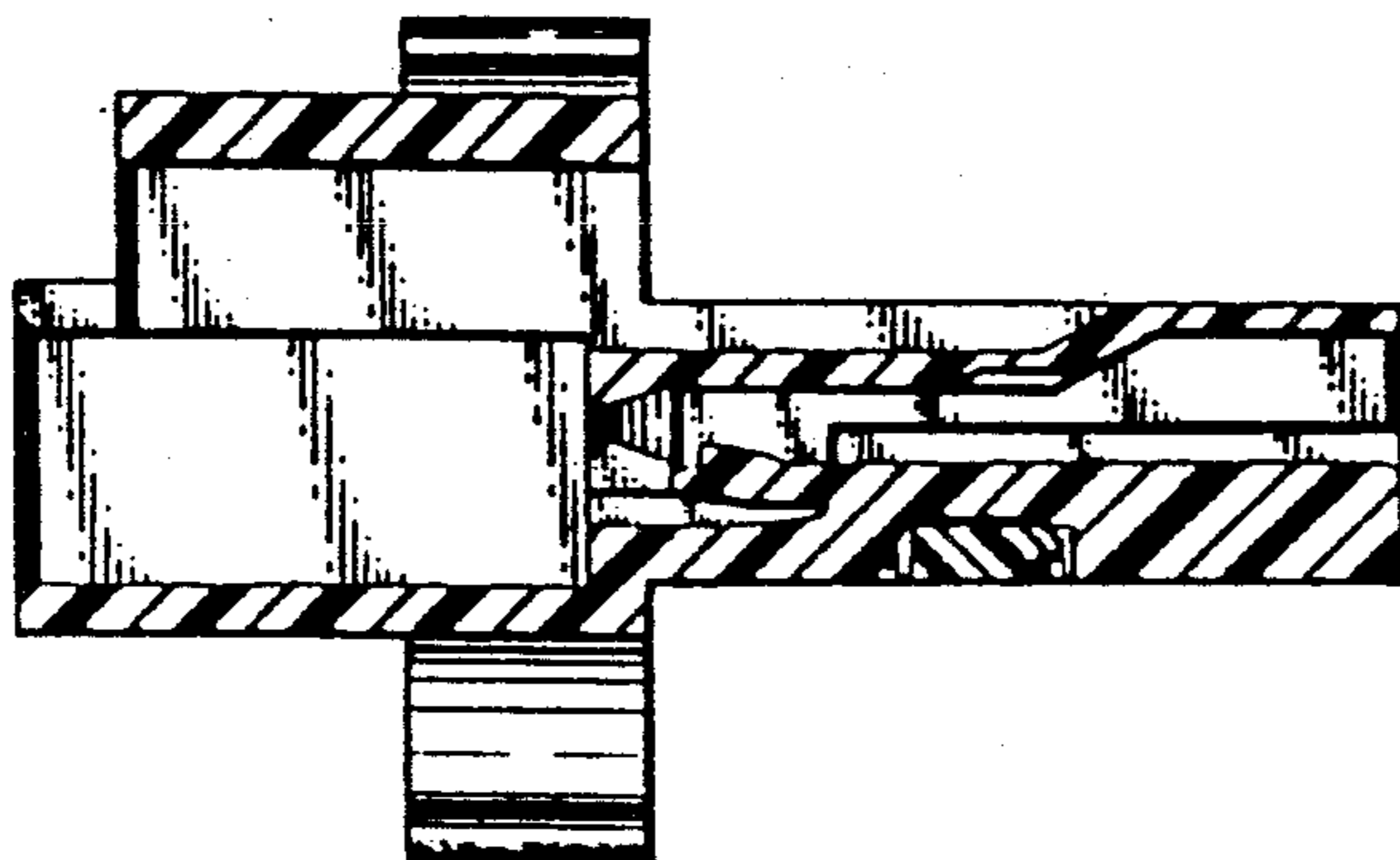
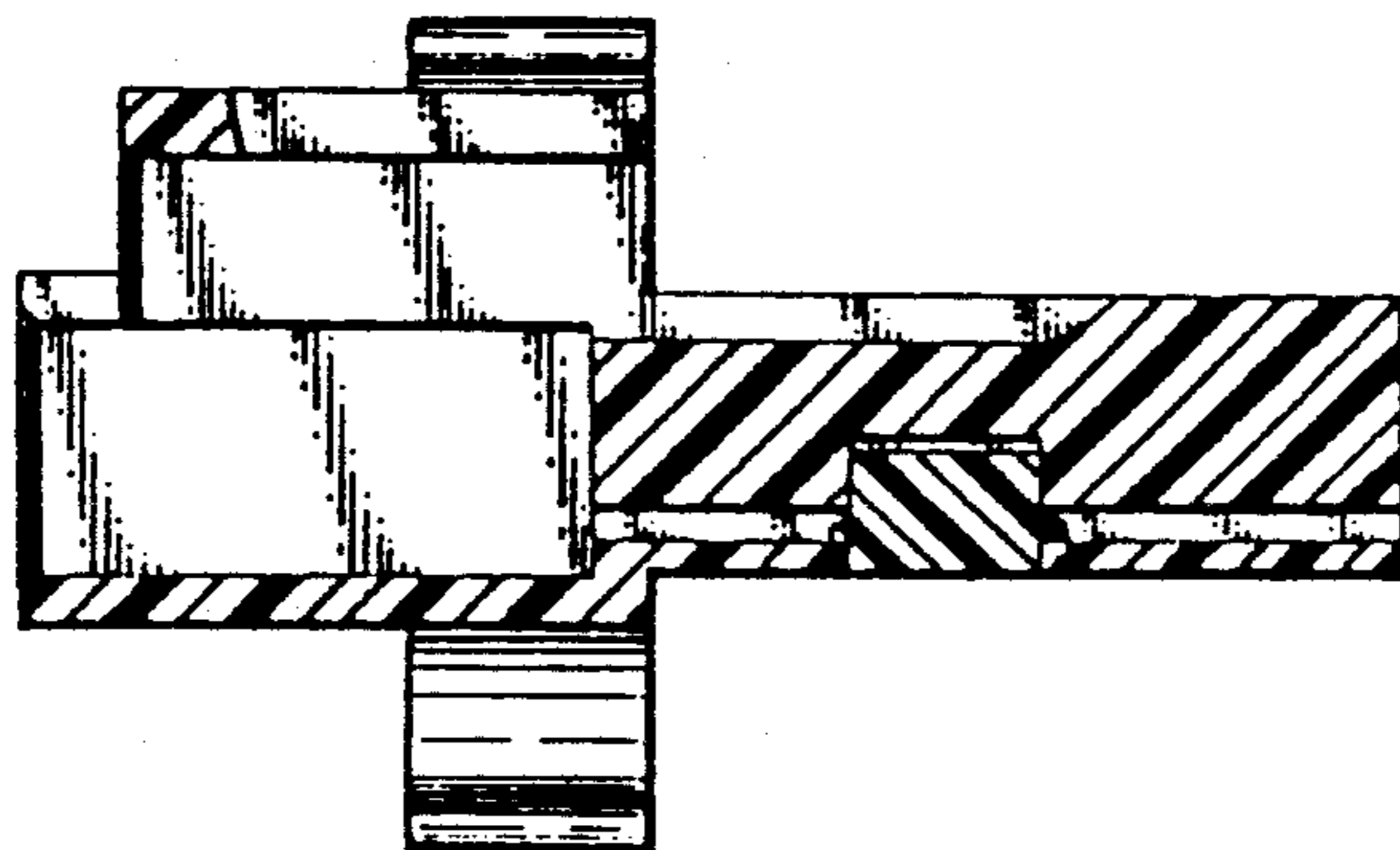


FIG. 8



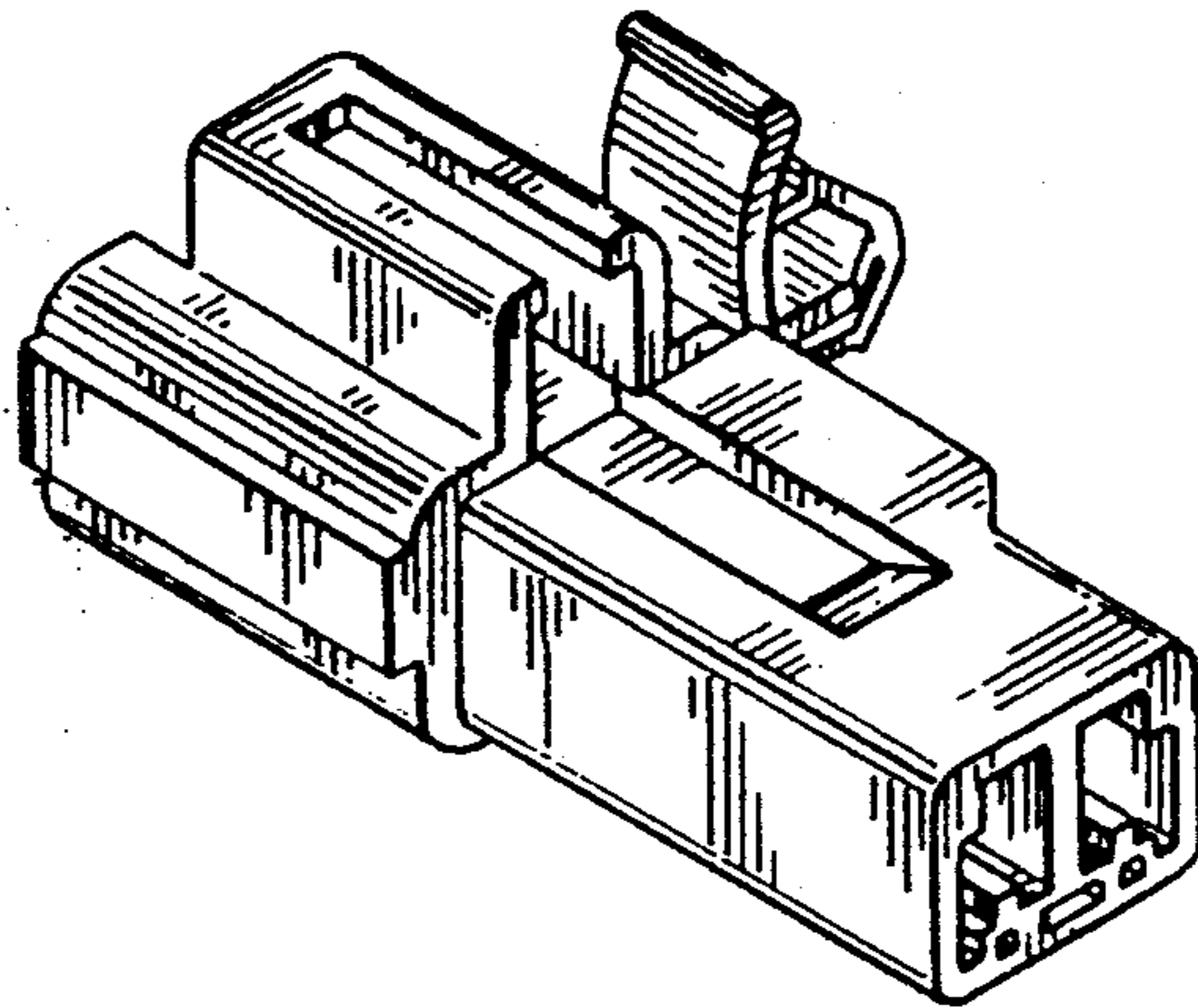


FIG. 9

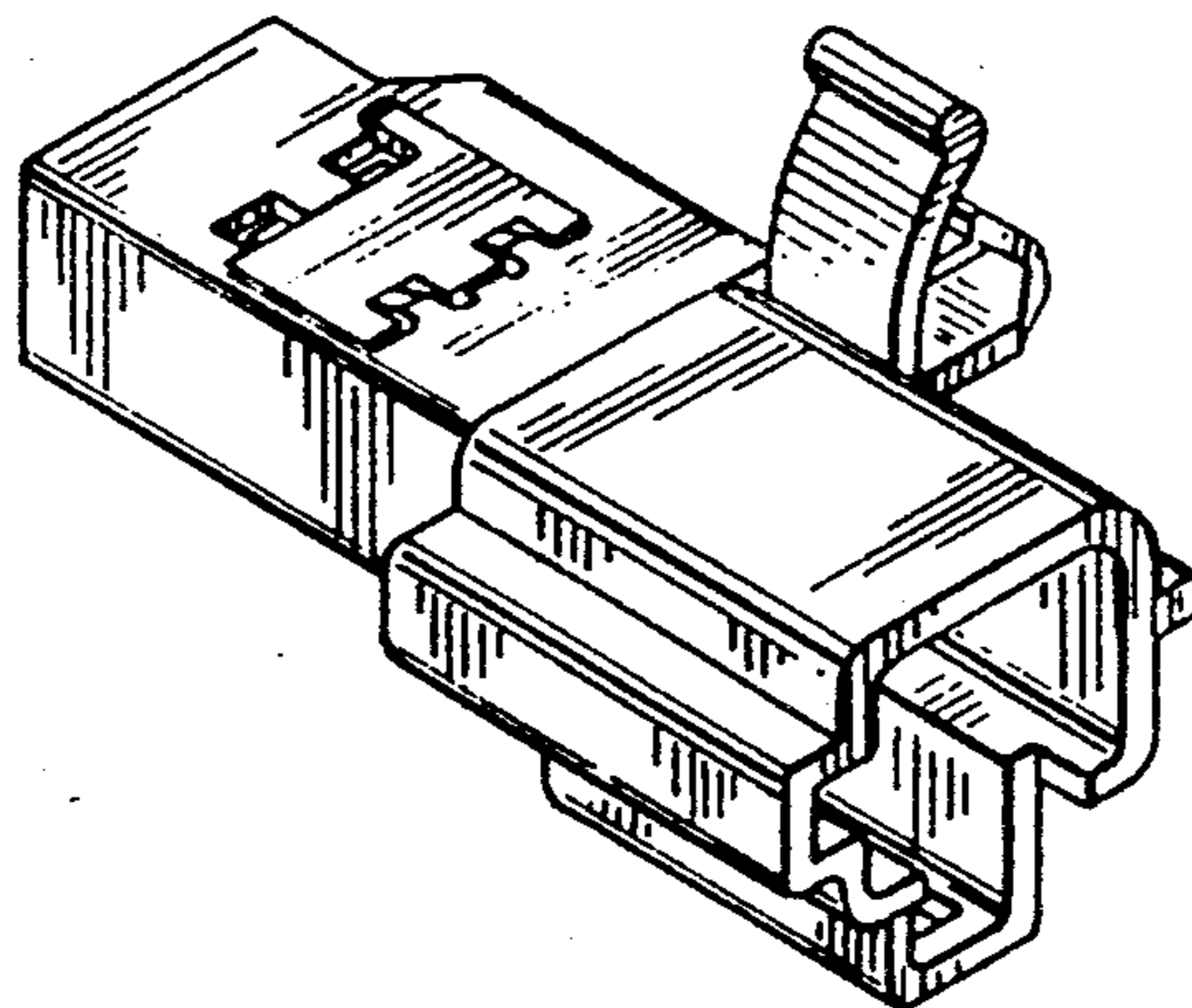


FIG. 10