



US00D323140S

# United States Patent [19]

[11] Patent Number: **Des. 323,140**

**Takenouchi et al.**

[45] Date of Patent: **\*\* Jan. 14, 1992**

[54] **ELECTRICAL CONNECTOR HOUSING**

4,946,398 8/1990 Takenouchi et al. .... 439/595 X

[75] Inventors: **Kenji Takenouchi; Makoto Yamanashi**, both of Shizuoka, Japan

*Primary Examiner*—Susan J. Lucas  
*Assistant Examiner*—J. Sincavage  
*Attorney, Agent, or Firm*—Armstrong, Nikaido, Marmelstein, Kubovcik & Murray

[73] Assignee: **Yazaki Corporation**, Tokyo, Japan

[\*\*] Term: **14 Years**

[57] **CLAIM**

[21] Appl. No.: **453,463**

The ornamental design for an electrical connector housing, as shown and described.

[22] Filed: **Dec. 20, 1989**

**DESCRIPTION**

[30] **Foreign Application Priority Data**

Jun. 21, 1989 [JP] Japan ..... 1-22633

[52] U.S. Cl. .... **D13/133**

[58] **Field of Search** ..... D13/133, 146, 147; 439/271, 275, 279, 282, 293, 297, 350, 352, 353, 357, 358, 571, 586, 587, 589, 595, 596, 598, 600, 680, 682, 685, 686, 687, 695, 701, 724, 744, 748, 752

FIG. 1 is a top plan view of an electrical connector housing showing our new design; FIG. 2 is a front elevational view thereof; FIG. 3 is a bottom plan view thereof; FIG. 4 is a left side elevational view thereof, the right side elevational view thereof being a mirror image; FIG. 5 is a rear elevational view thereof; FIG. 6 is a cross-sectional view taken along line 6—6 of FIG. 2; FIG. 7 is a cross-sectional view taken along line 7—7 of FIG. 2; and FIG. 8 is a front and upper right perspective view thereof showing the parts separated for the purpose of a complete disclosure. The broken line showing is included for the purpose of illustrating environmental elements only and forms no part of the claimed design.

[56] **References Cited**

**U.S. PATENT DOCUMENTS**

- D. 308,513 6/1990 Endo et al. .... D13/147
- D. 315,717 3/1991 Takenouchi et al. .... D13/133
- D. 318,042 7/1991 Takenouchi et al. .... D13/146
- 4,749,372 6/1988 Betsui ..... 439/595 X
- 4,884,978 12/1989 Inaba et al. .... 439/350 X

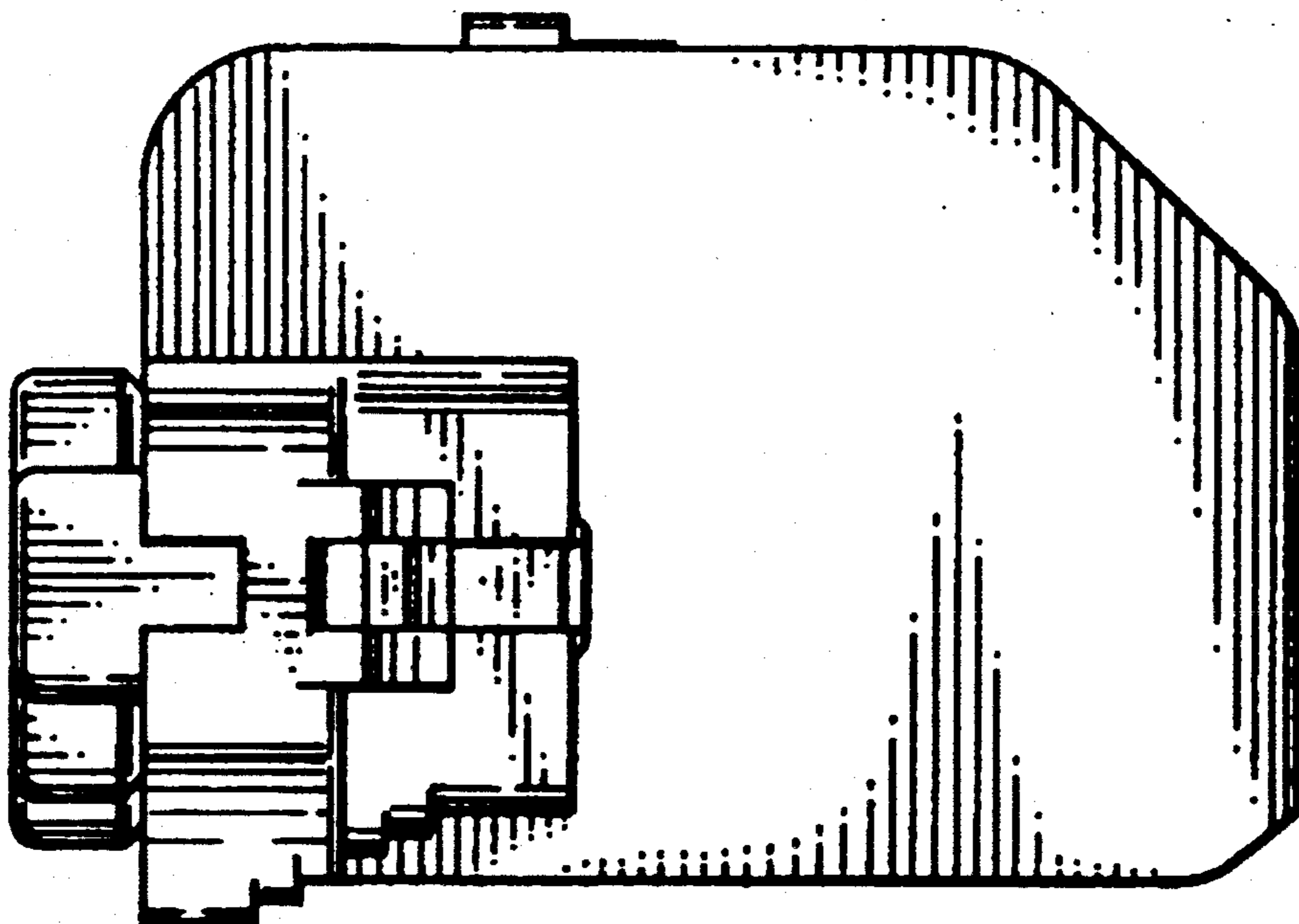


FIG. 1

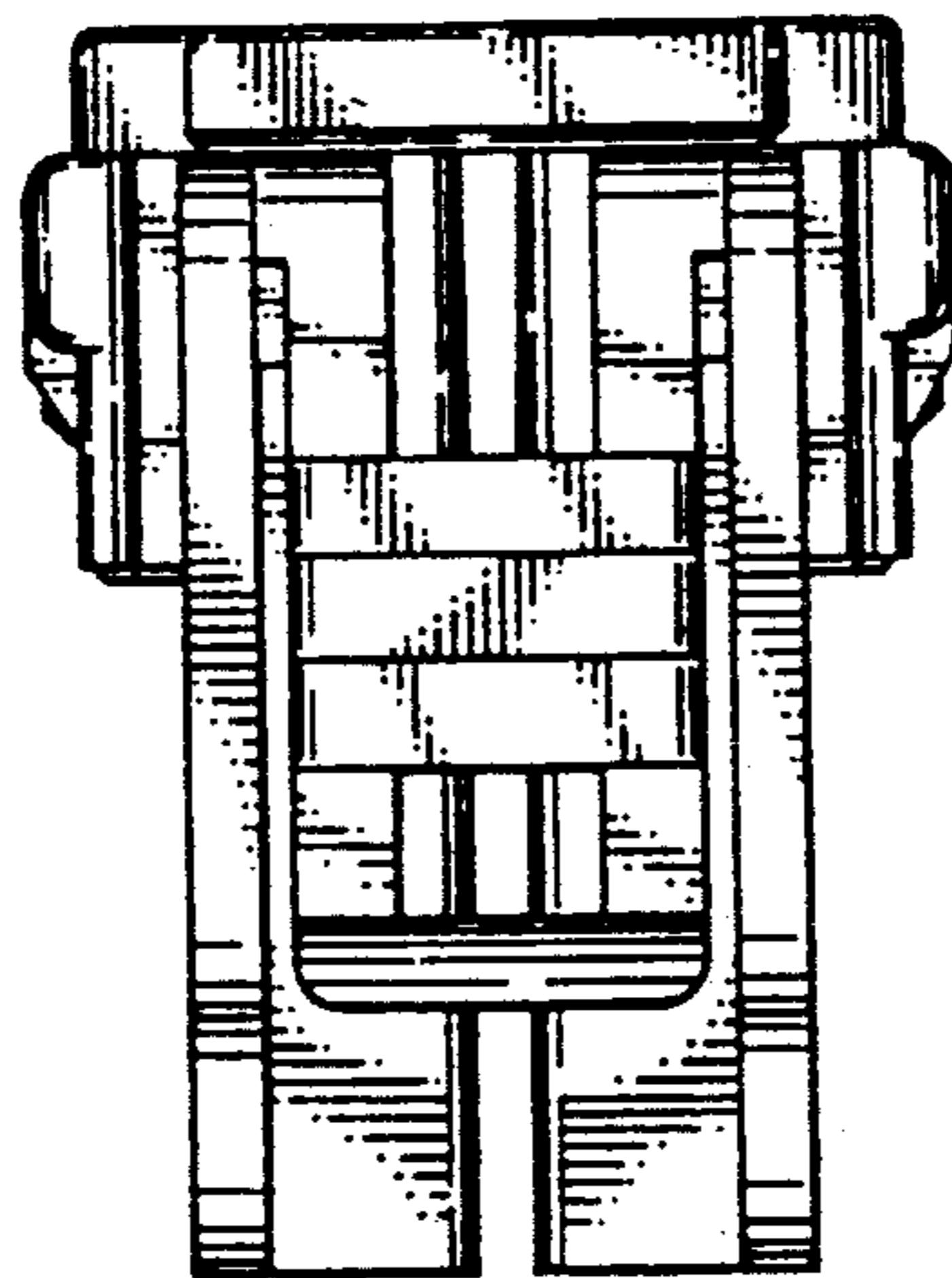


FIG. 2

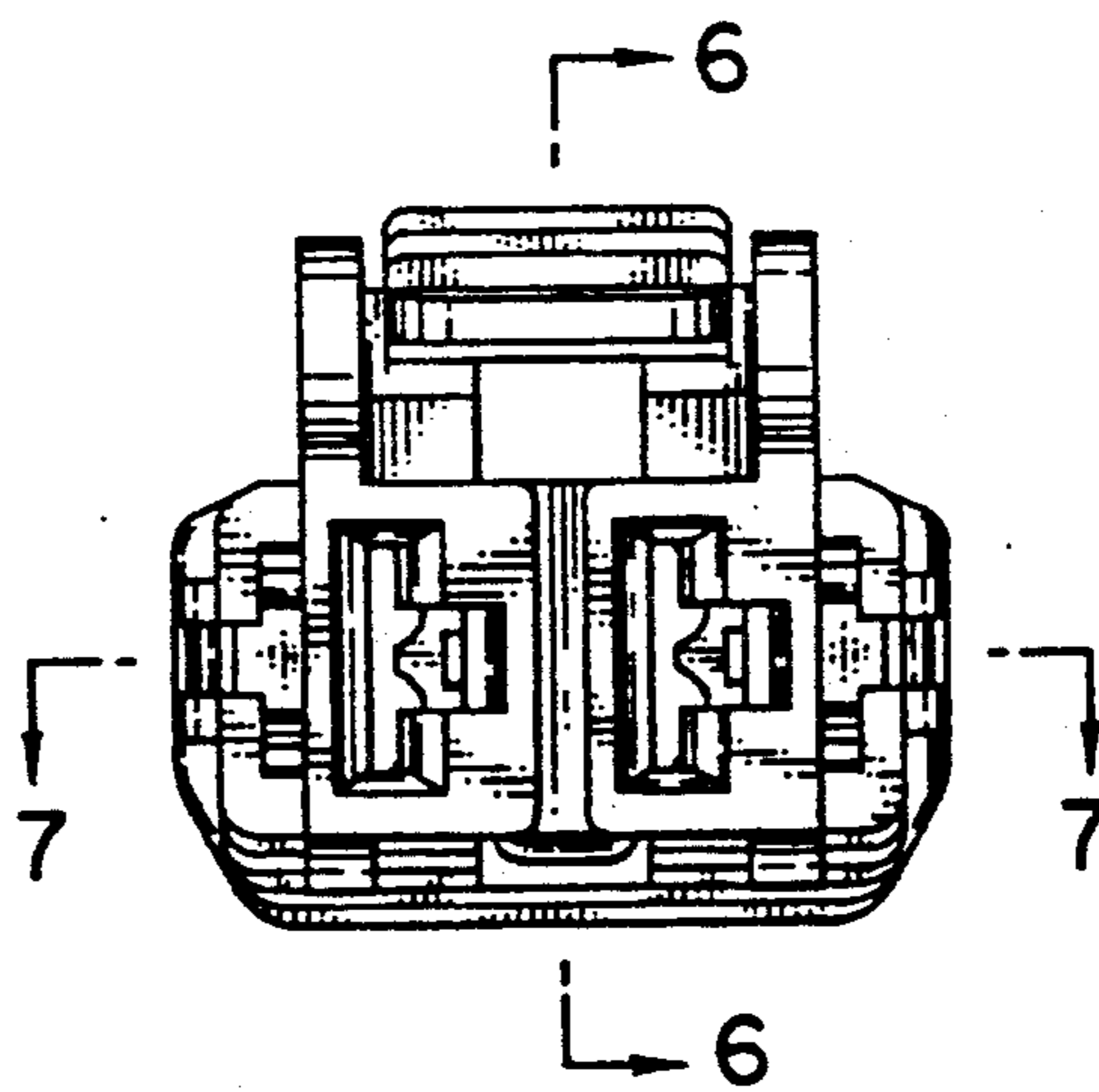


FIG. 3

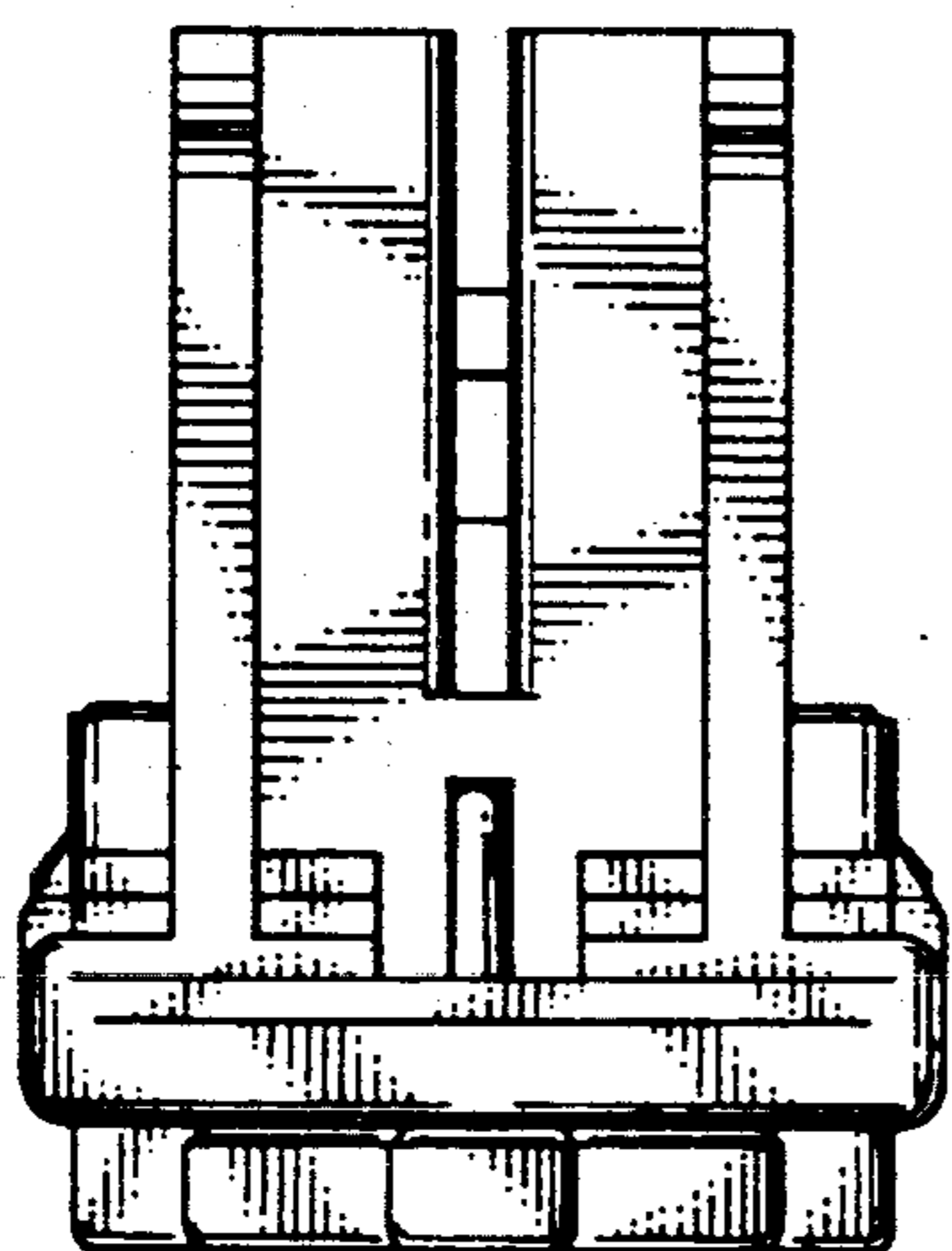


FIG. 4

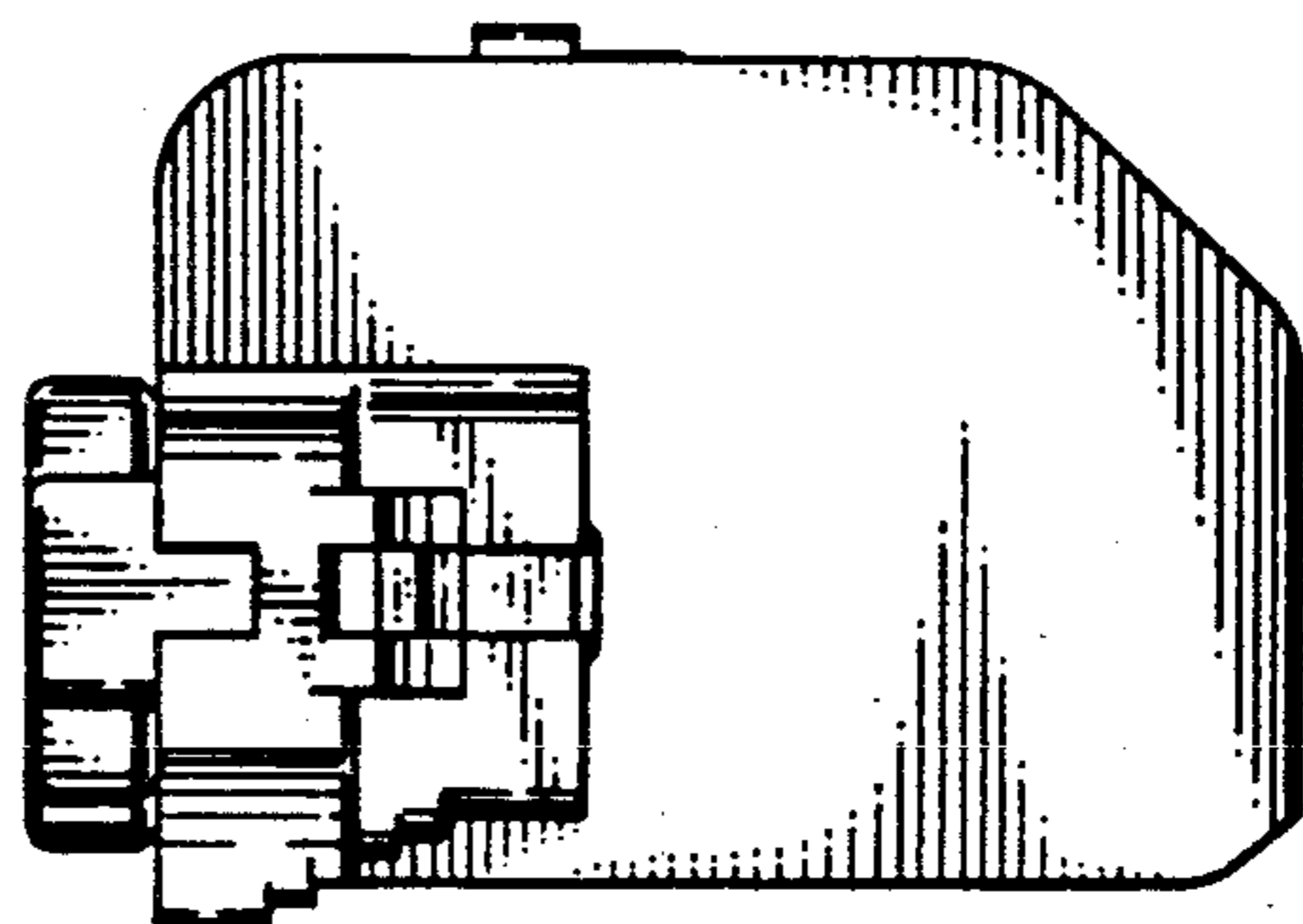


FIG. 5

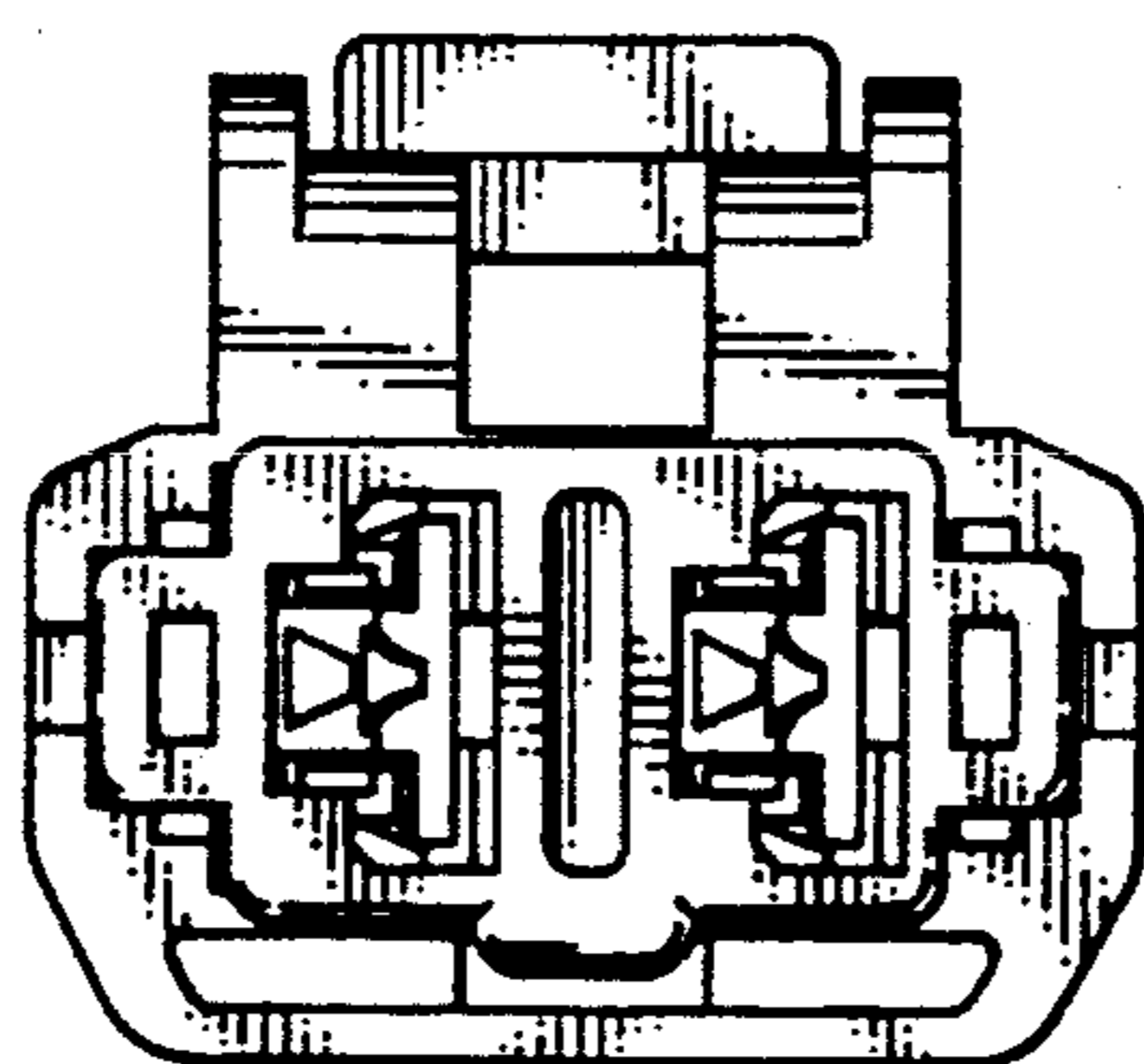


FIG. 6

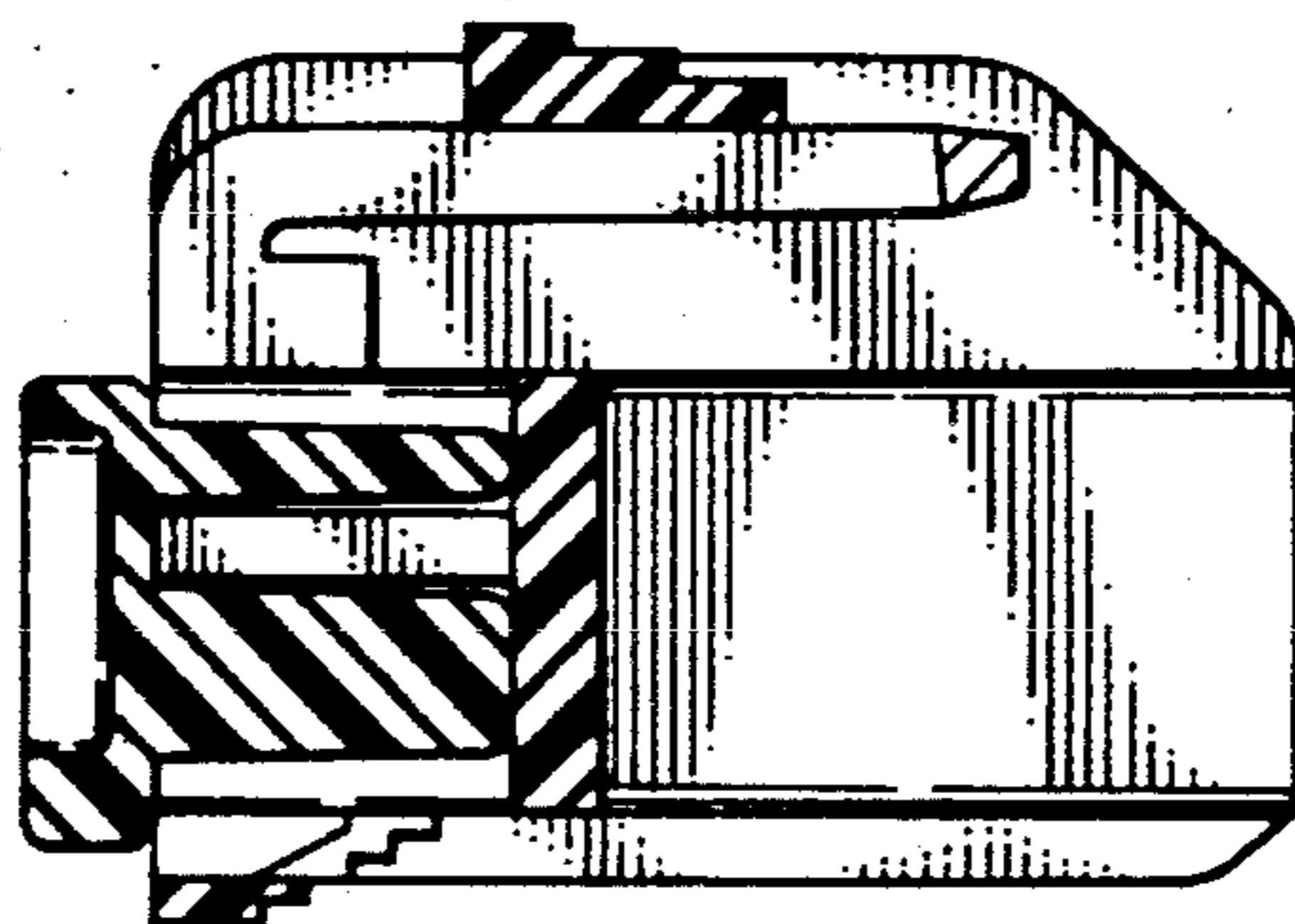
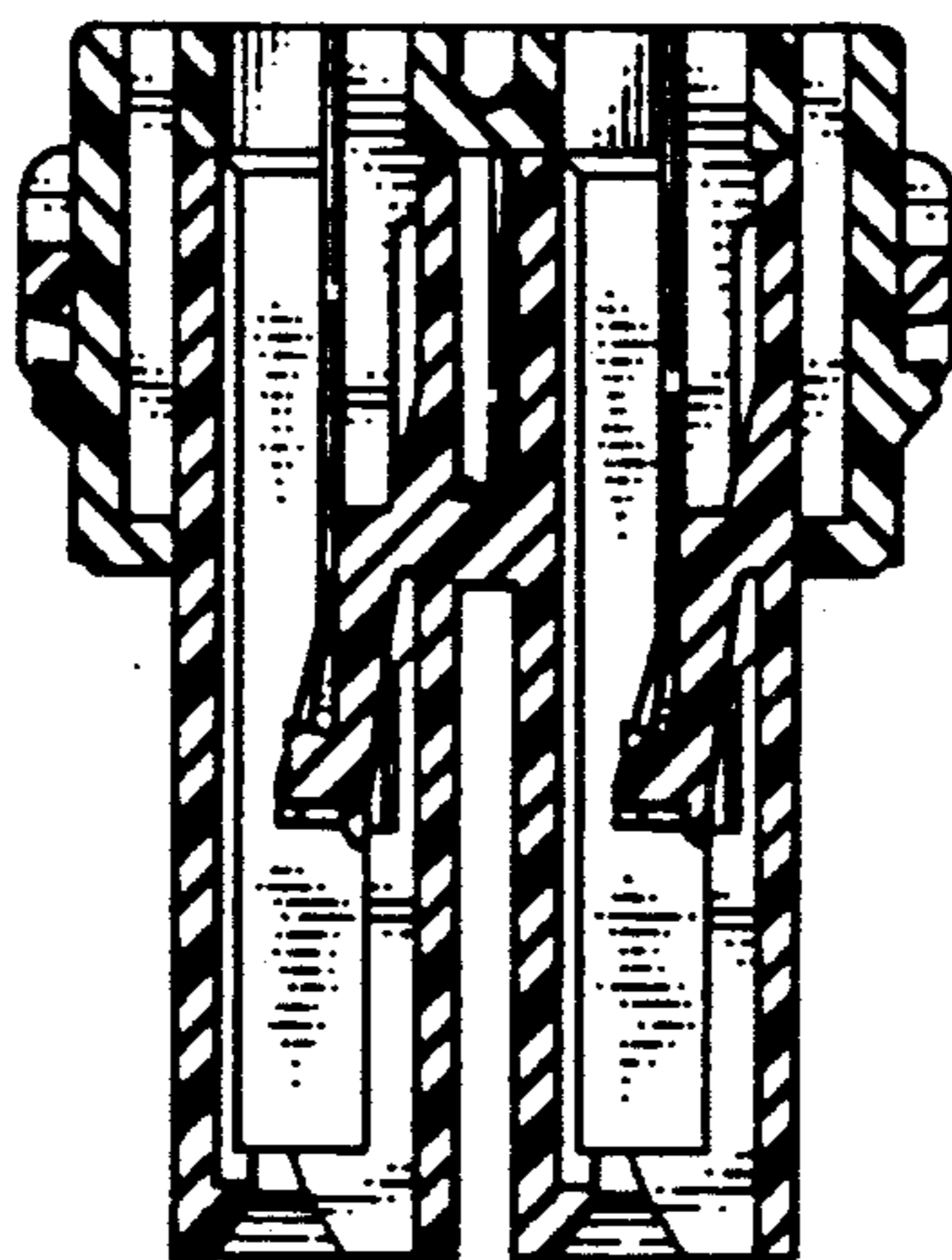


FIG. 7





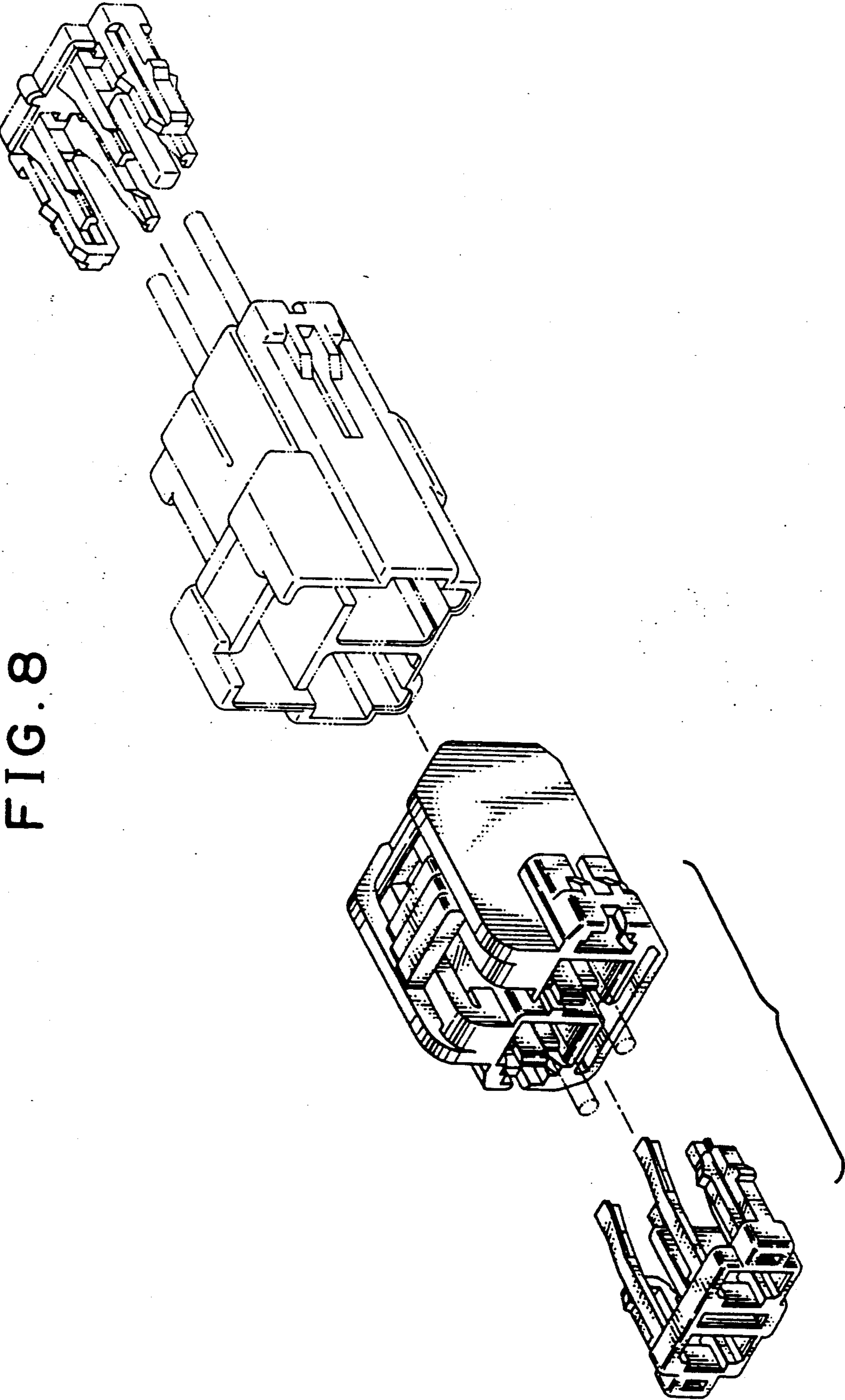


FIG. 8