



US00D323139S

United States Patent [19]

Inaba et al.

[11] Patent Number: **Des. 323,139**

[45] Date of Patent: **** Jan. 14, 1992**

[54] **ELECTRICAL CONNECTOR HOUSING**

[75] Inventors: **Shigemitsu Inaba; Kazuto Ohtaka,**
both of Shizuoka, Japan

[73] Assignee: **Yazaki Corporation,** Tokyo, Japan

[**] Term: **14 Years**

[21] Appl. No.: **449,735**

[22] Filed: **Dec. 13, 1989**

[30] **Foreign Application Priority Data**

Jun. 22, 1989 [JP] Japan 1-22871

[52] U.S. Cl. **D13/133**

[58] Field of Search **D13/133, 146, 147;**
439/271, 275, 279, 282, 293, 297, 350, 352, 353,
357, 358, 571, 586, 587, 589, 595, 596, 598, 600,
680, 682, 685, 686, 687, 695, 701, 724, 744, 748,
752

[56] **References Cited**

U.S. PATENT DOCUMENTS

3,654,586 4/1972 Winkler 439/680 X
4,674,814 6/1987 Hoshino et al. 439/586
4,709,123 11/1987 Yamashita et al. 439/282 X
4,884,978 12/1989 Inaba et al. 439/350 X

FOREIGN PATENT DOCUMENTS

2817055 11/1978 Fed. Rep. of Germany 439/682
2073509 10/1981 United Kingdom 439/682

Primary Examiner—Susan J. Lucas
Assistant Examiner—J. Sincavage
Attorney, Agent, or Firm—Armstrong, Nikaido,
Marmelstein, Kubovcik & Murray

[57] **CLAIM**

The ornamental design for an electrical connector housing, as shown and described.

DESCRIPTION

FIG. 1 is a top plan view of an electrical connector housing showing our new design;
FIG. 2 is a front elevational view thereof;
FIG. 3 is a bottom plan view thereof;
FIG. 4 is a left side elevational view thereof;
FIG. 5 is a right side elevational view thereof;
FIG. 6 is a rear elevational view thereof;
FIG. 7 is a cross-sectional view thereof taken along line 7—7 of FIG. 2;
FIG. 8 is a cross-sectional view thereof taken along line 8—8 of FIG. 2;
FIG. 9 is a cross-sectional view thereof taken along line 9—9 of FIG. 2;
FIG. 10 is a perspective view thereof with the terminal retainer separated; and
FIG. 11 is a perspective view thereof shown in an environment of intended use with the terminal retainer separated. The broken line showing of the other connector housings is included for the purpose of illustrating environmental elements only and forms no part of the claimed design.

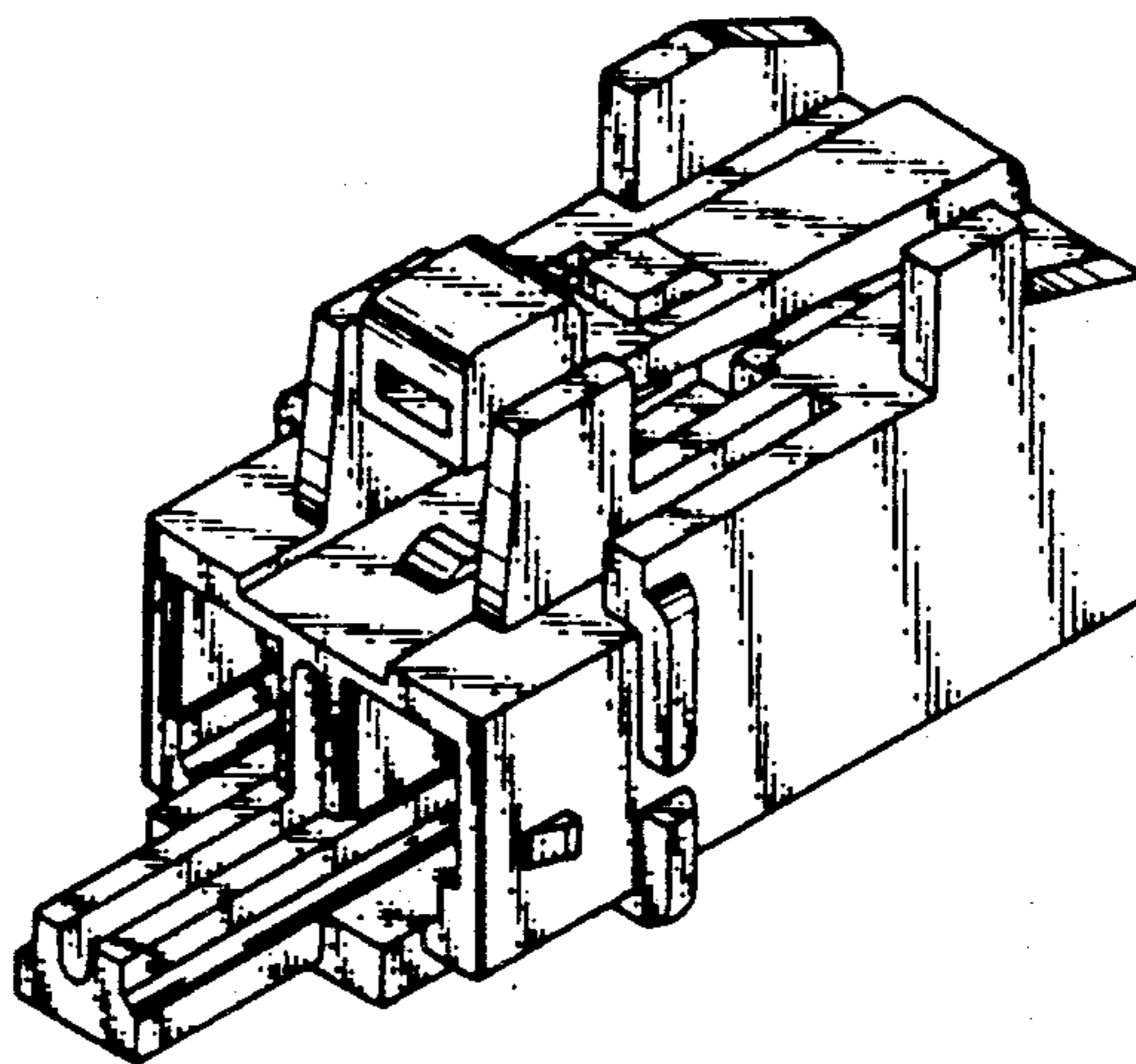
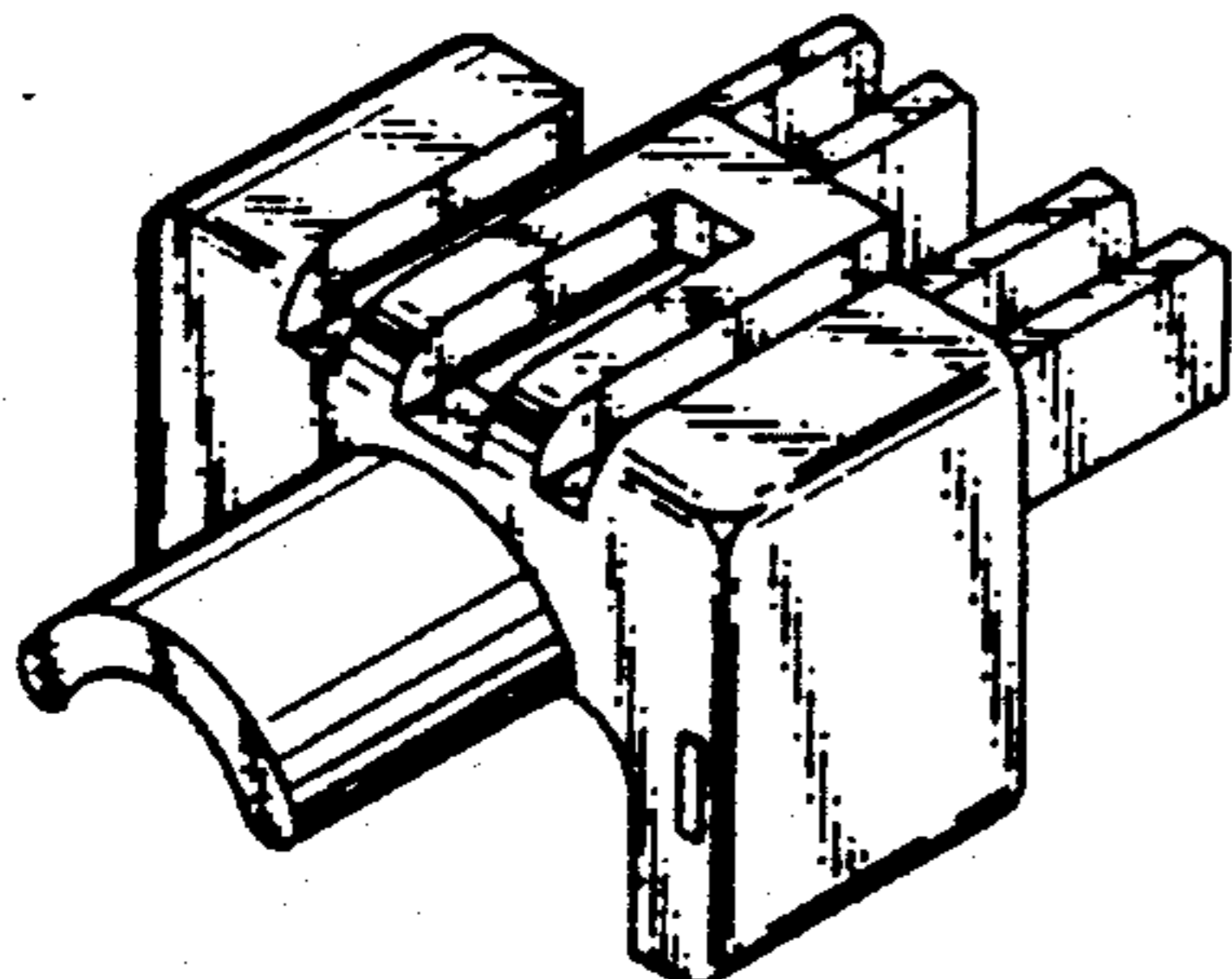


FIG. 1

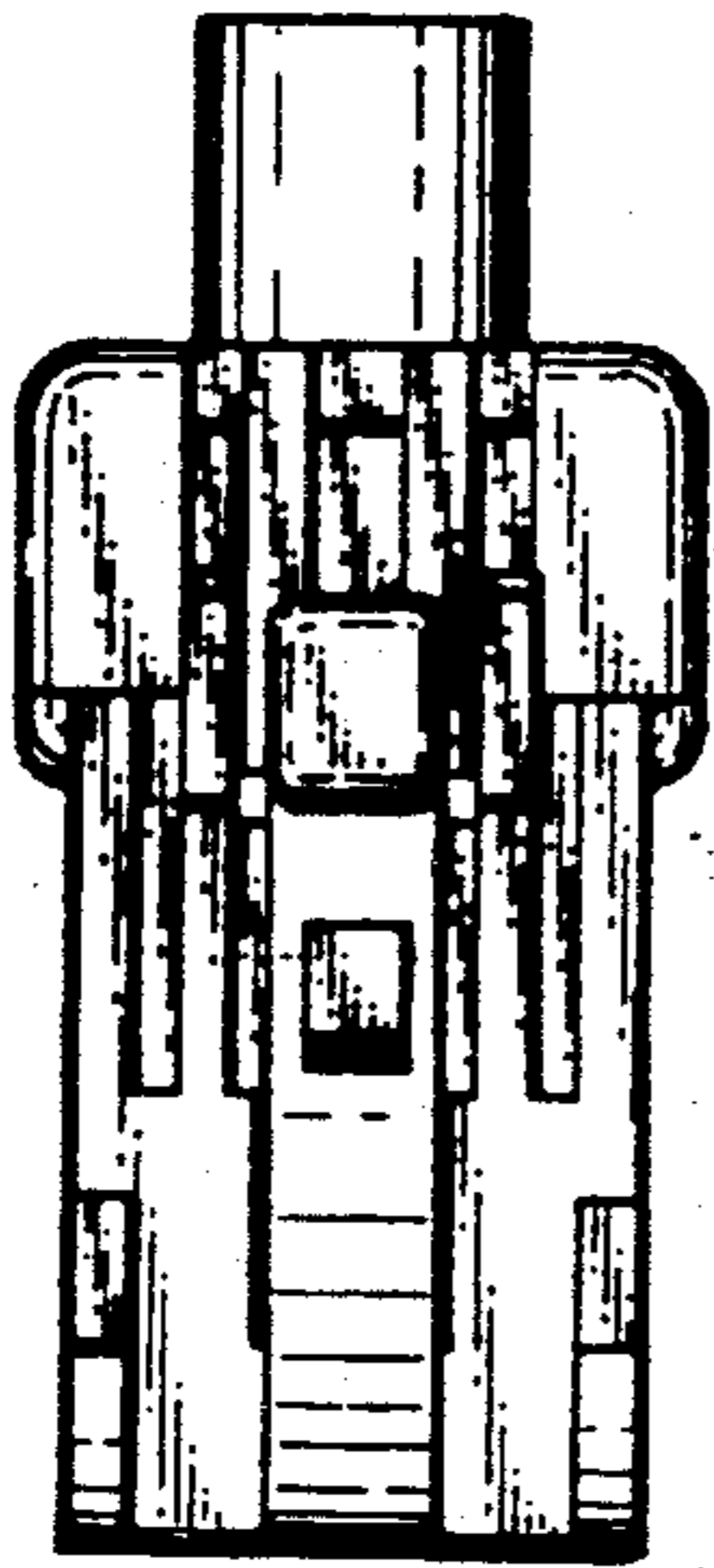


FIG. 3

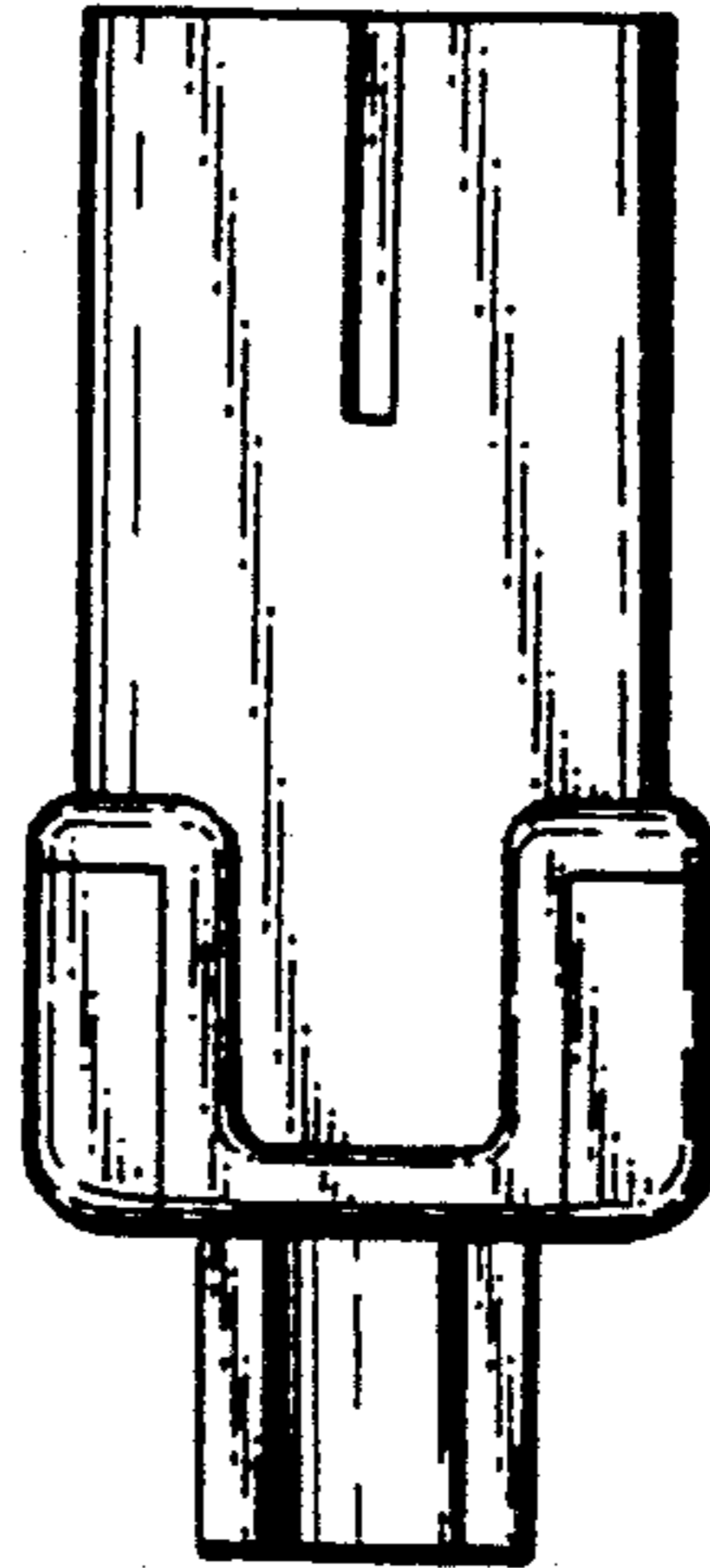


FIG. 2

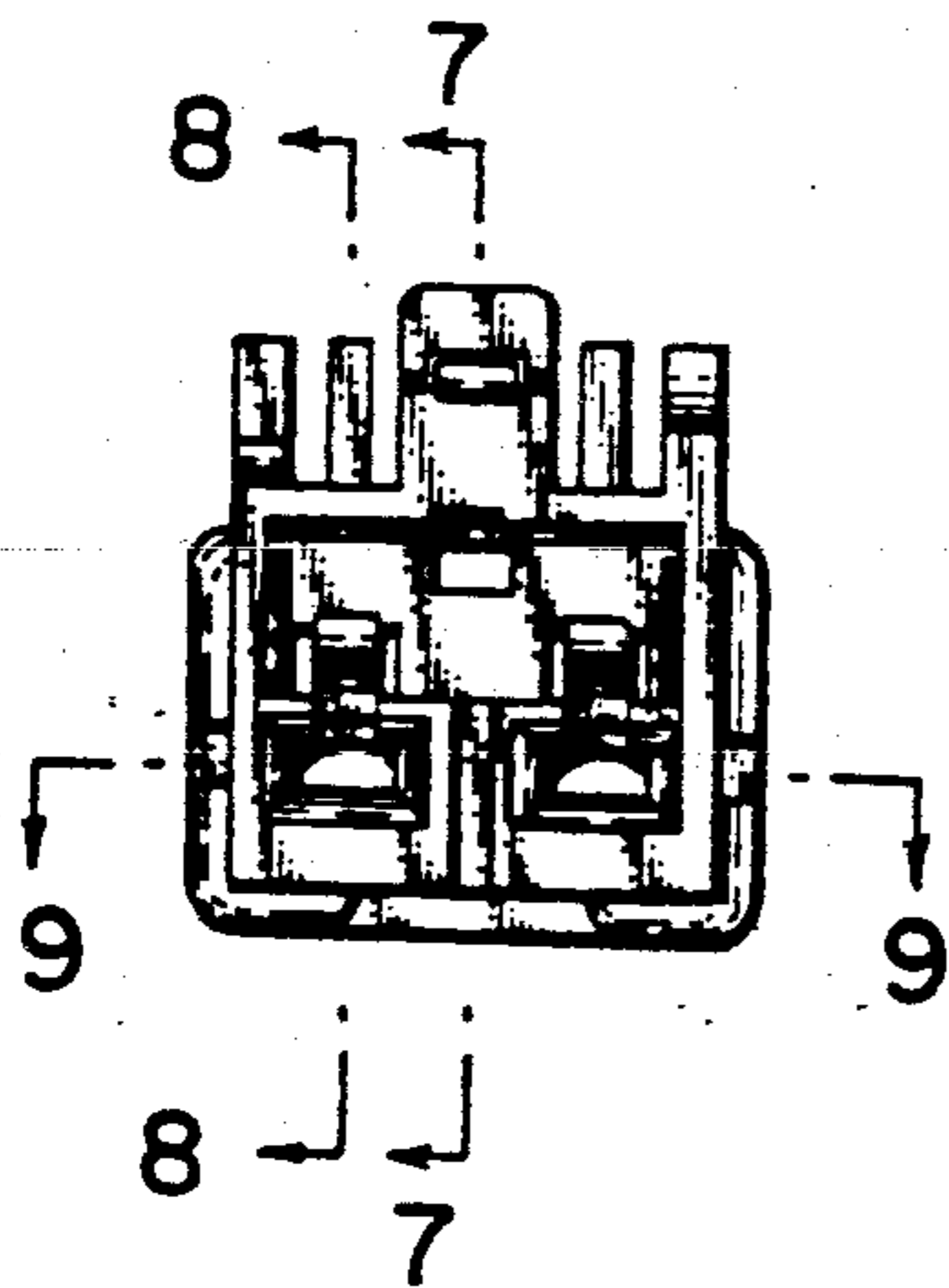


FIG. 4

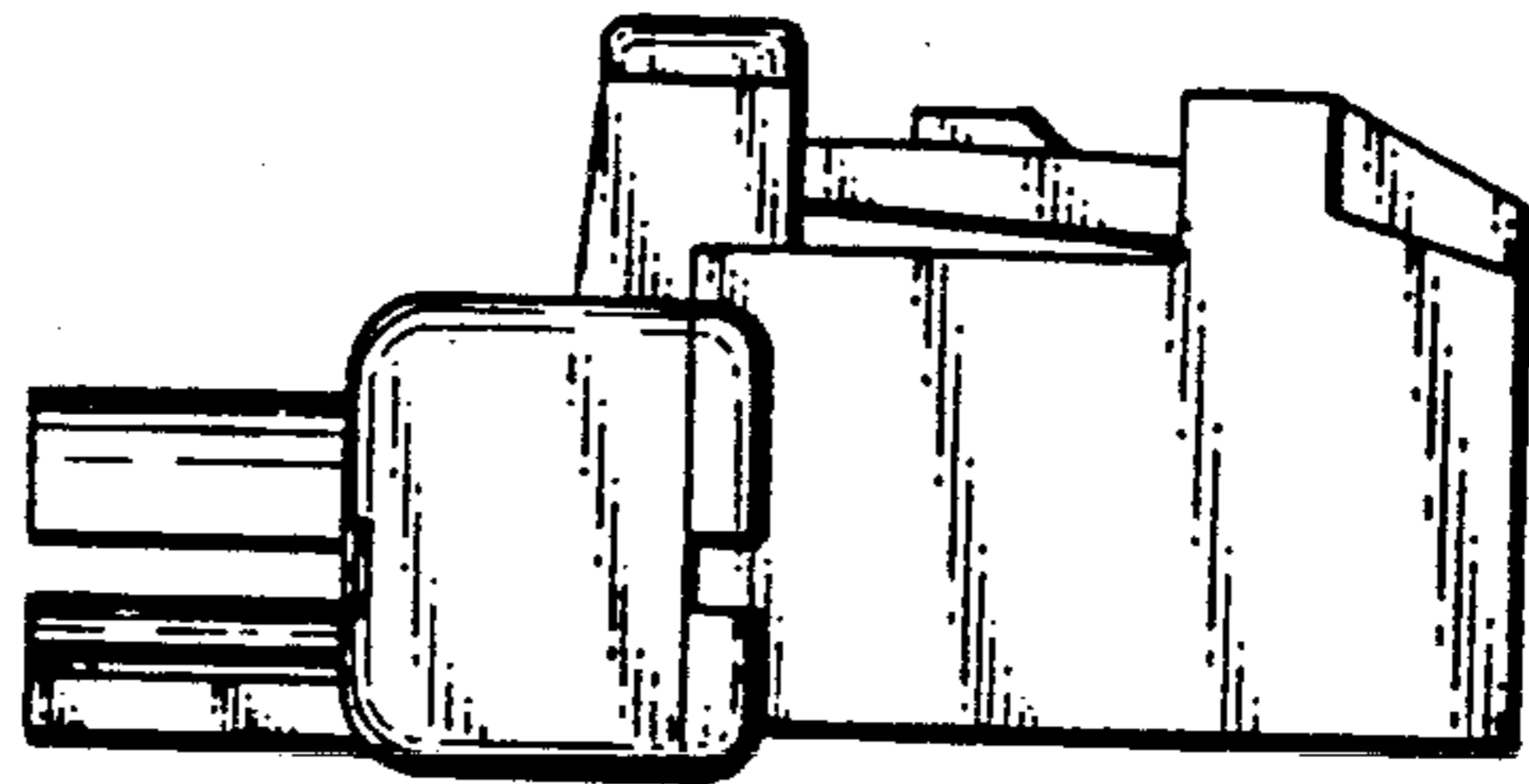


FIG. 5

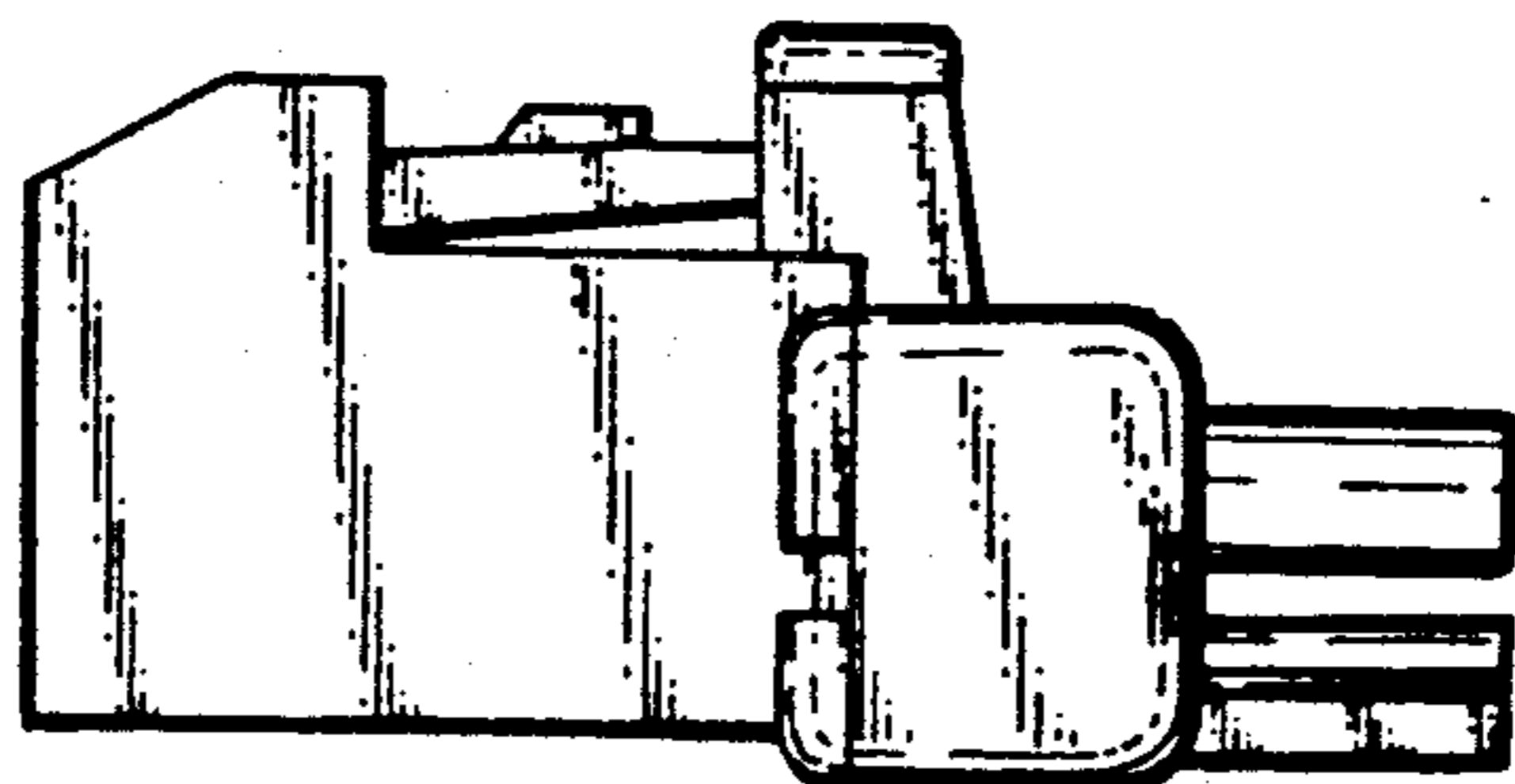


FIG. 6

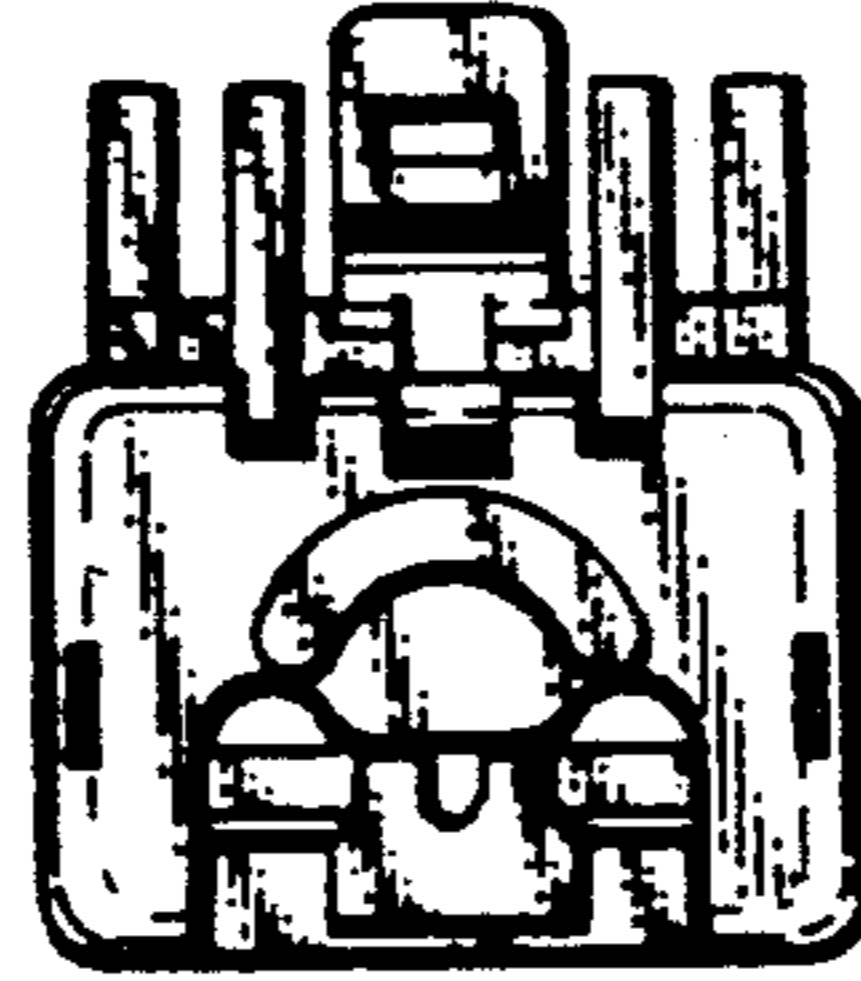


FIG. 7

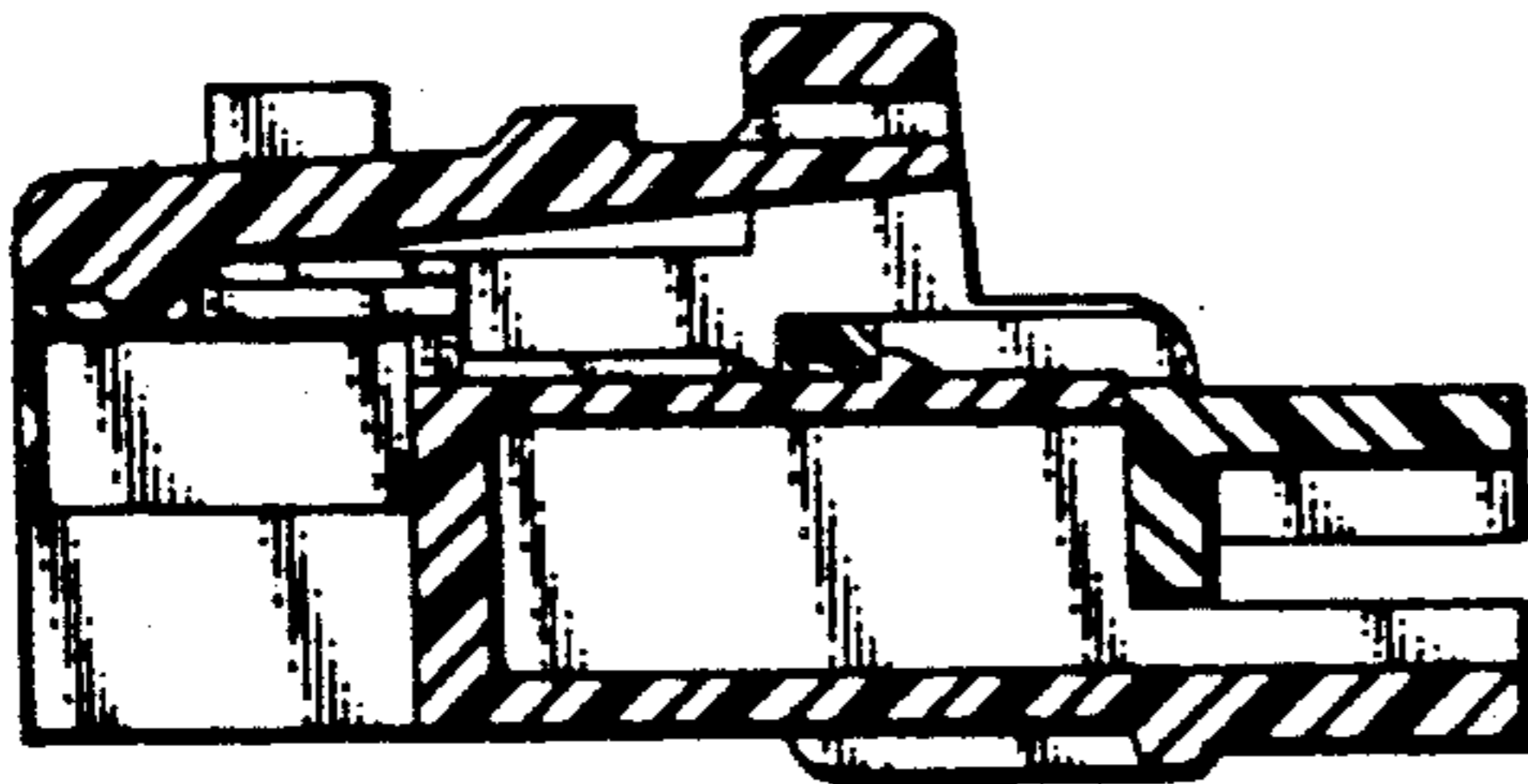


FIG. 9

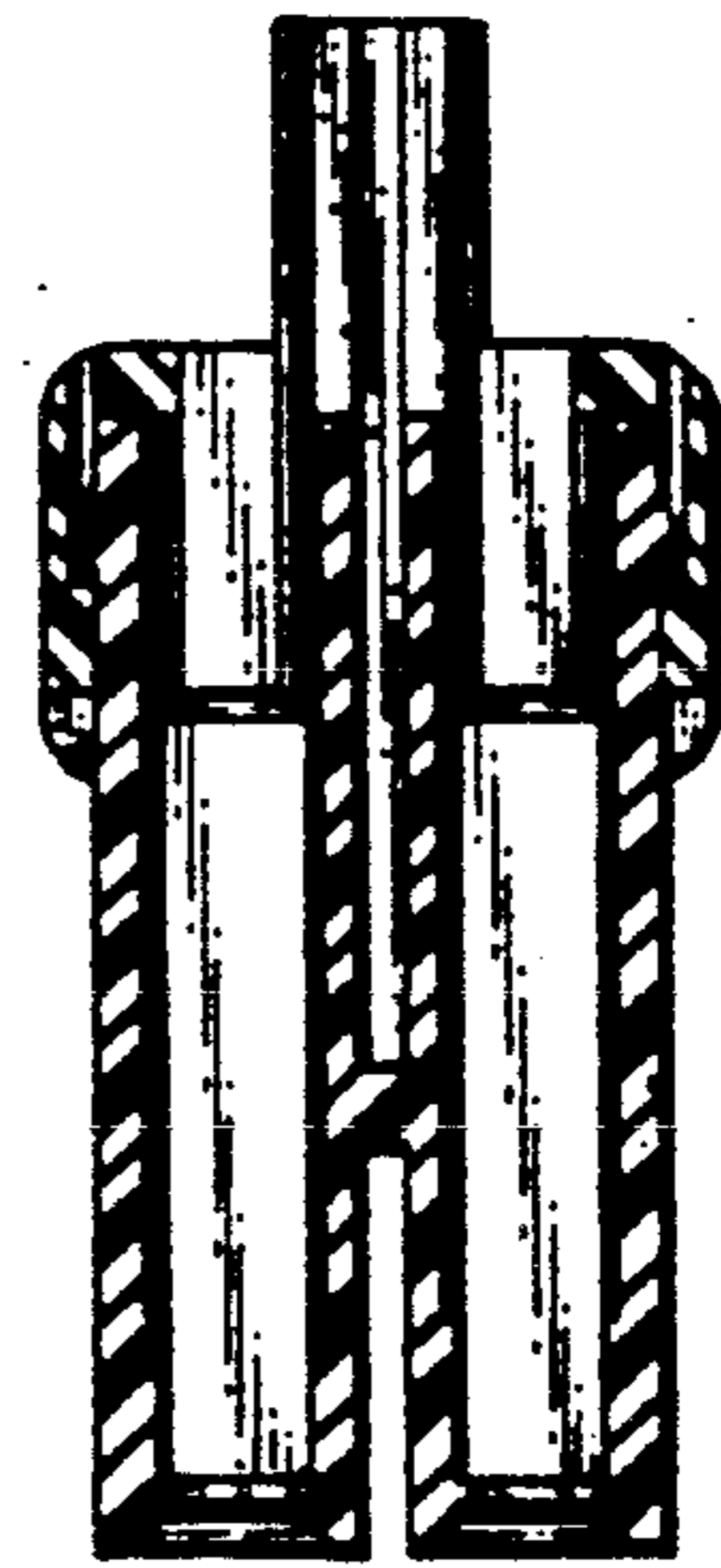


FIG. 8

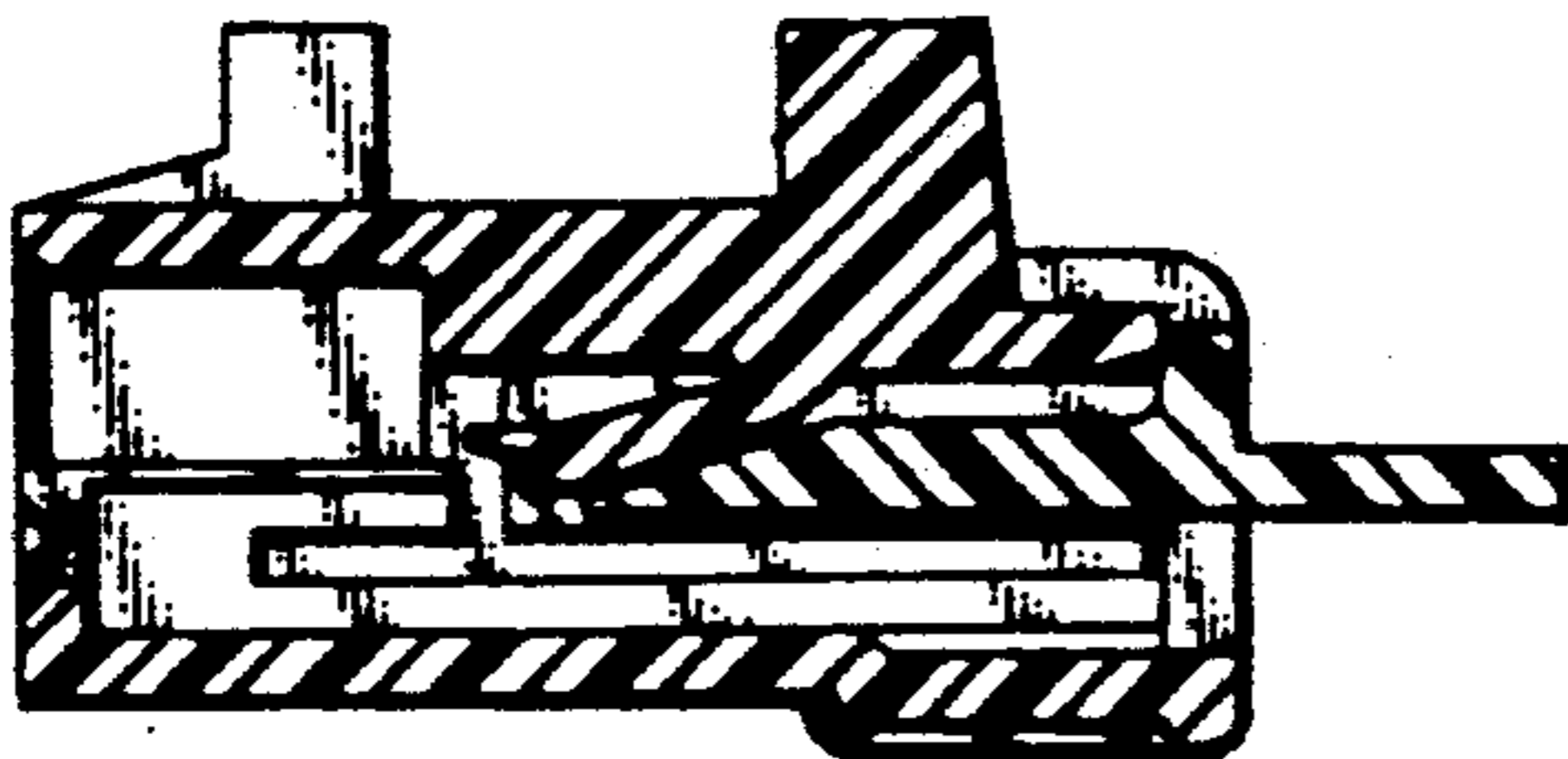


FIG. 10

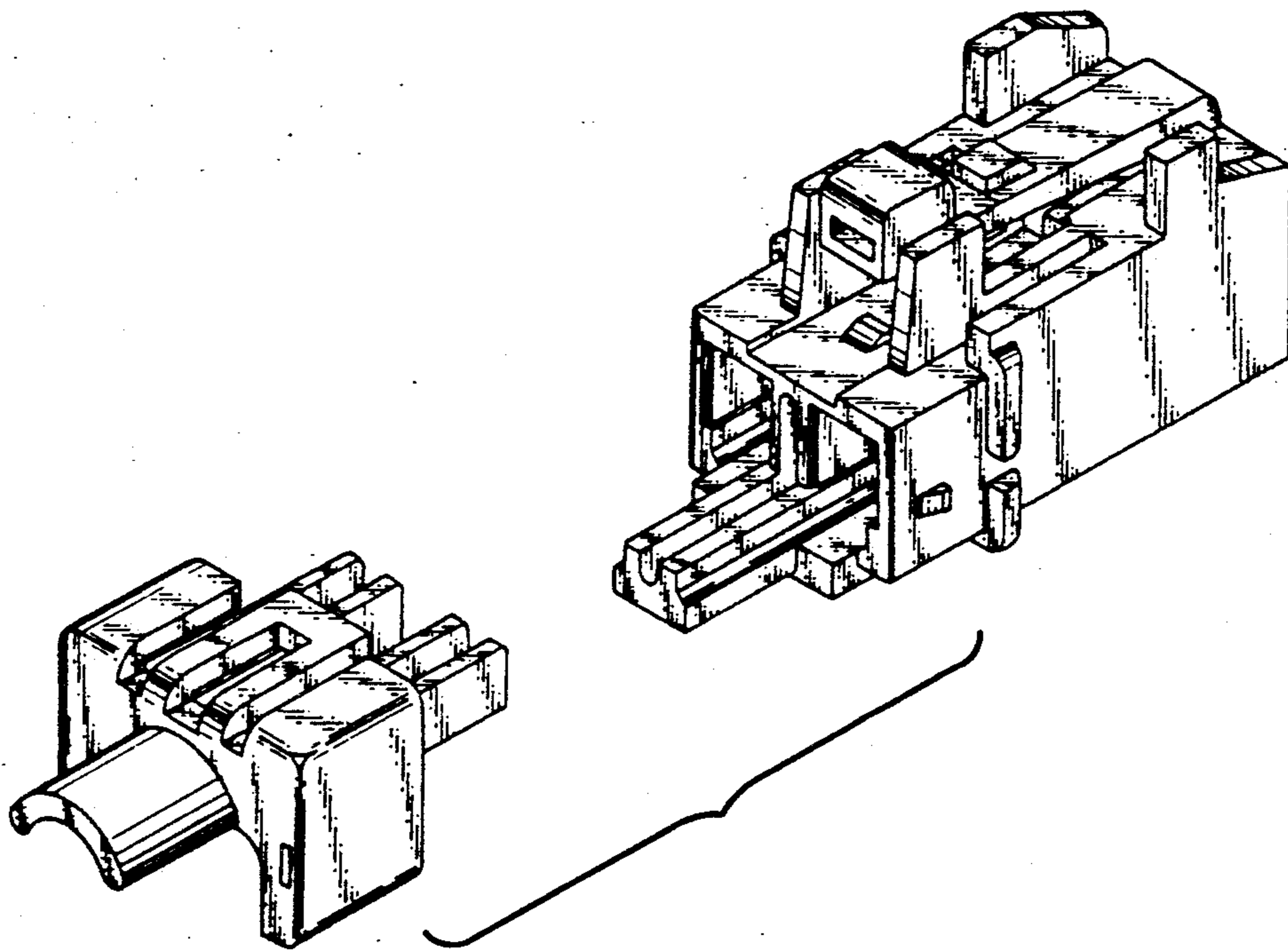


FIG. 11

