



US00D323133S

# United States Patent [19]

[11] Patent Number: Des. 323,133

Newmark

[45] Date of Patent: \*\* Jan. 14, 1992

## [54] WALL SECTION FOR PLANT CONTAINER

[75] Inventor: Keith J. Newmark, Blackburn, United Kingdom

[73] Assignee: Keith Newmark Limited, Padiham, United Kingdom

[\*\*] Term: 14 Years

[21] Appl. No.: 427,319

[22] Filed: Oct. 26, 1989

### [30] Foreign Application Priority Data

Apr. 27, 1989 [GB] United Kingdom ..... 1059045

Apr. 27, 1989 [GB] United Kingdom ..... 1059046

[52] U.S. Cl. .... D11/164; D8/499; D11/93; D11/152; D11/155; D11/156

[58] Field of Search ..... D11/143, 164, 93, 152, D11/155, 156; D8/499; 47/66, 73; 220/615, 616, 622; 63/4, 9

### [56] References Cited

#### U.S. PATENT DOCUMENTS

D. 271,289	11/1983	Carlsson	.....	D11/143
D. 310,186	8/1990	Lee et al.	.....	D11/164
1,836,955	12/1931	Carlson	.....	D11/93
4,716,680	1/1988	Whitcomb et al.	.....	47/66
4,901,473	2/1990	Taule	.....	47/66

## OTHER PUBLICATIONS

Mechanics Mag., 1st Series; vol. 6; pub. 1826; p. 216; planter (upper left).

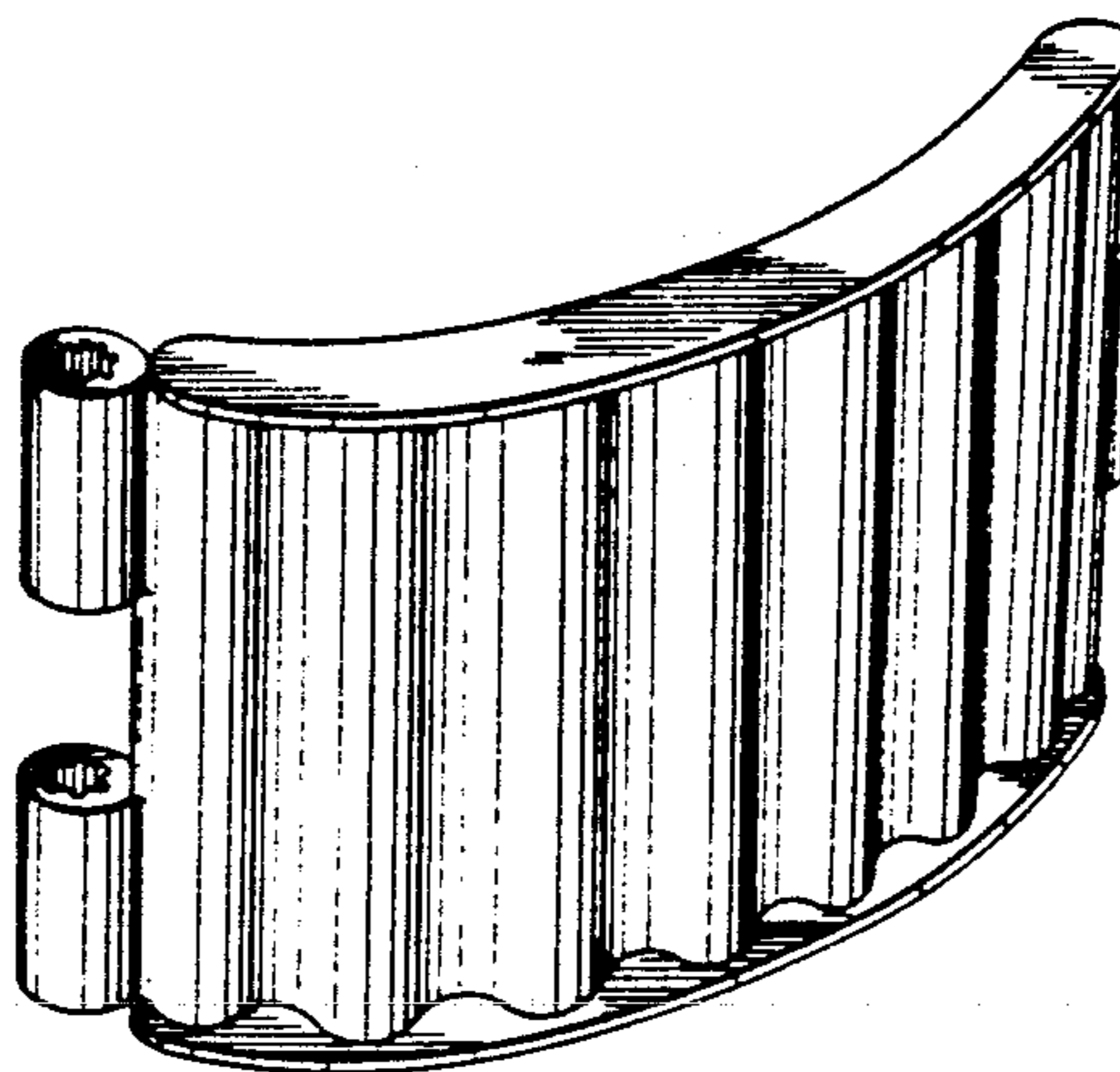
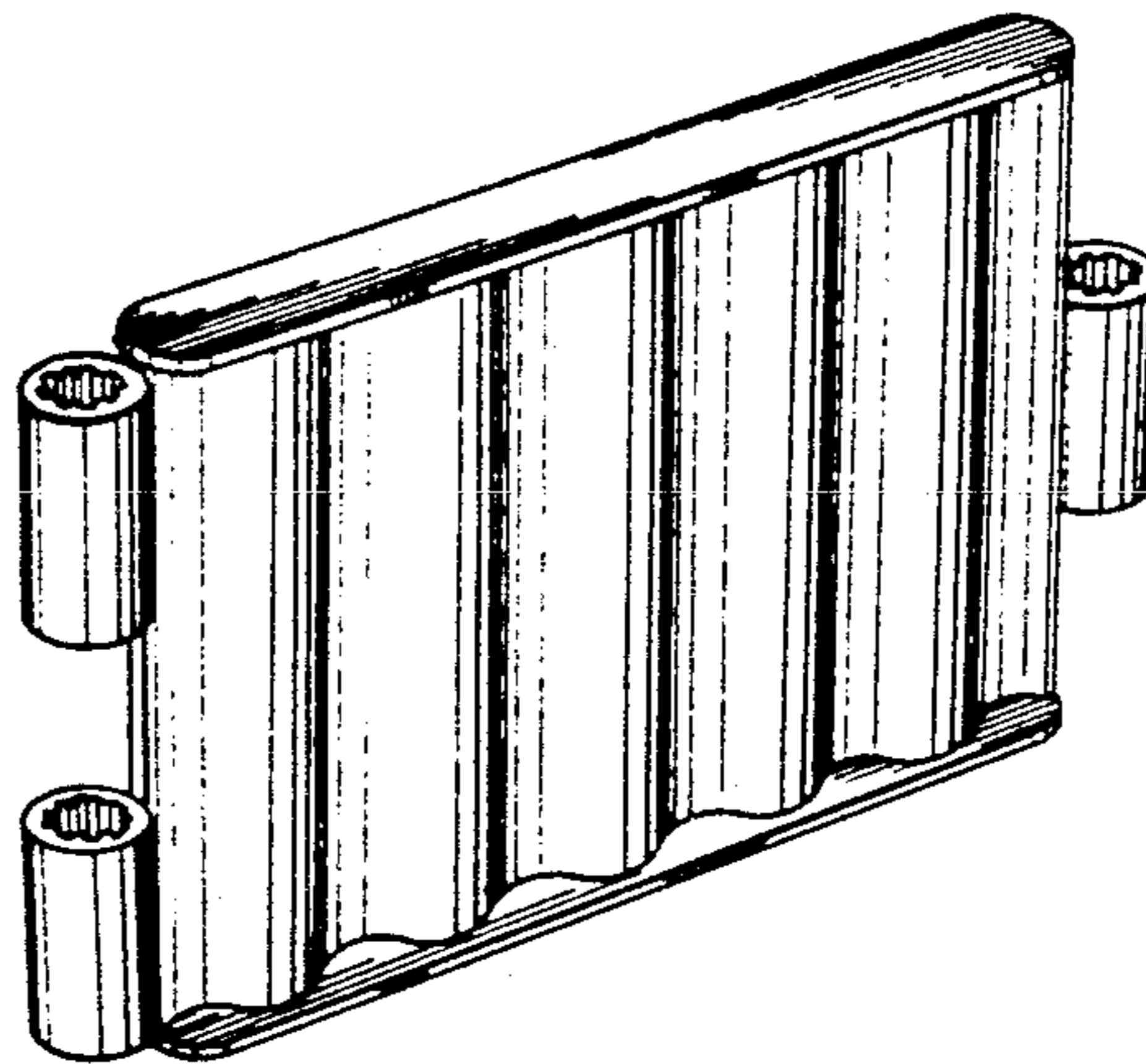
Primary Examiner—B. J. Bullock  
Attorney, Agent, or Firm—Pearson & Pearson

## [57] CLAIM

The ornamental design for a wall section for plant container, as shown and described.

## DESCRIPTION

FIG. 1 is a front perspective view of a wall section for plant container showing my new design;  
 FIG. 2 is a right end view thereof;  
 FIG. 3 is a left end view thereof;  
 FIG. 4 is a fragmentary sectional view taken in the direction of the arrows on line 4—4 of FIG. 6;  
 FIG. 5 is a top view thereof, the bottom being identical;  
 FIG. 6 is a rear view thereof;  
 FIG. 7 is a front perspective view of a second embodiment of the design of FIG. 1;  
 FIG. 8 is a right end view of FIG. 7;  
 FIG. 9 is a left end view of FIG. 7;  
 FIG. 10 is a fragmentary sectional view taken in the direction of the arrows on line 10—10 of FIG. 12;  
 FIG. 11 is a top view of FIG. 7, the bottom being identical; and  
 FIG. 12 is a rear view of FIG. 7.



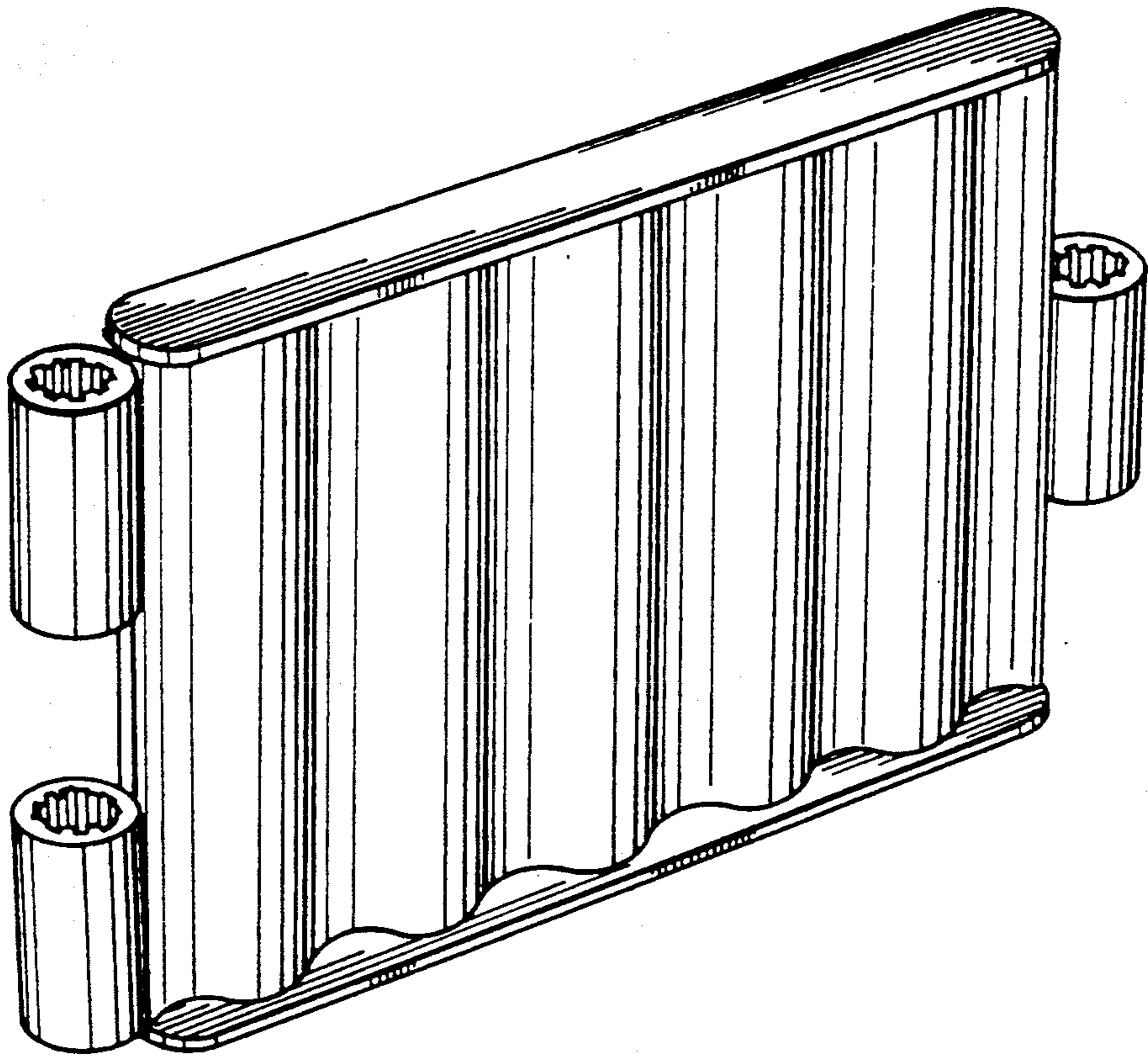


FIG. 1



FIG. 2



FIG. 3



FIG. 4

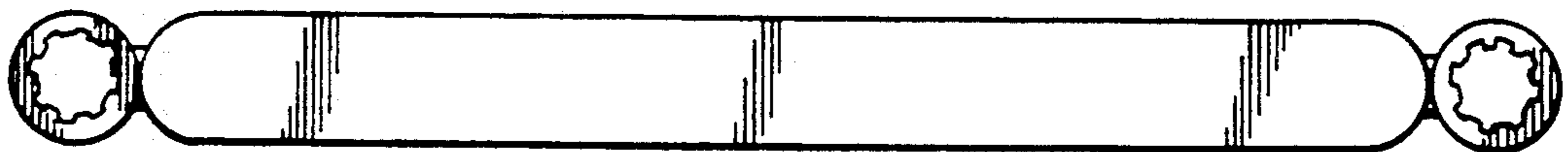


FIG. 5

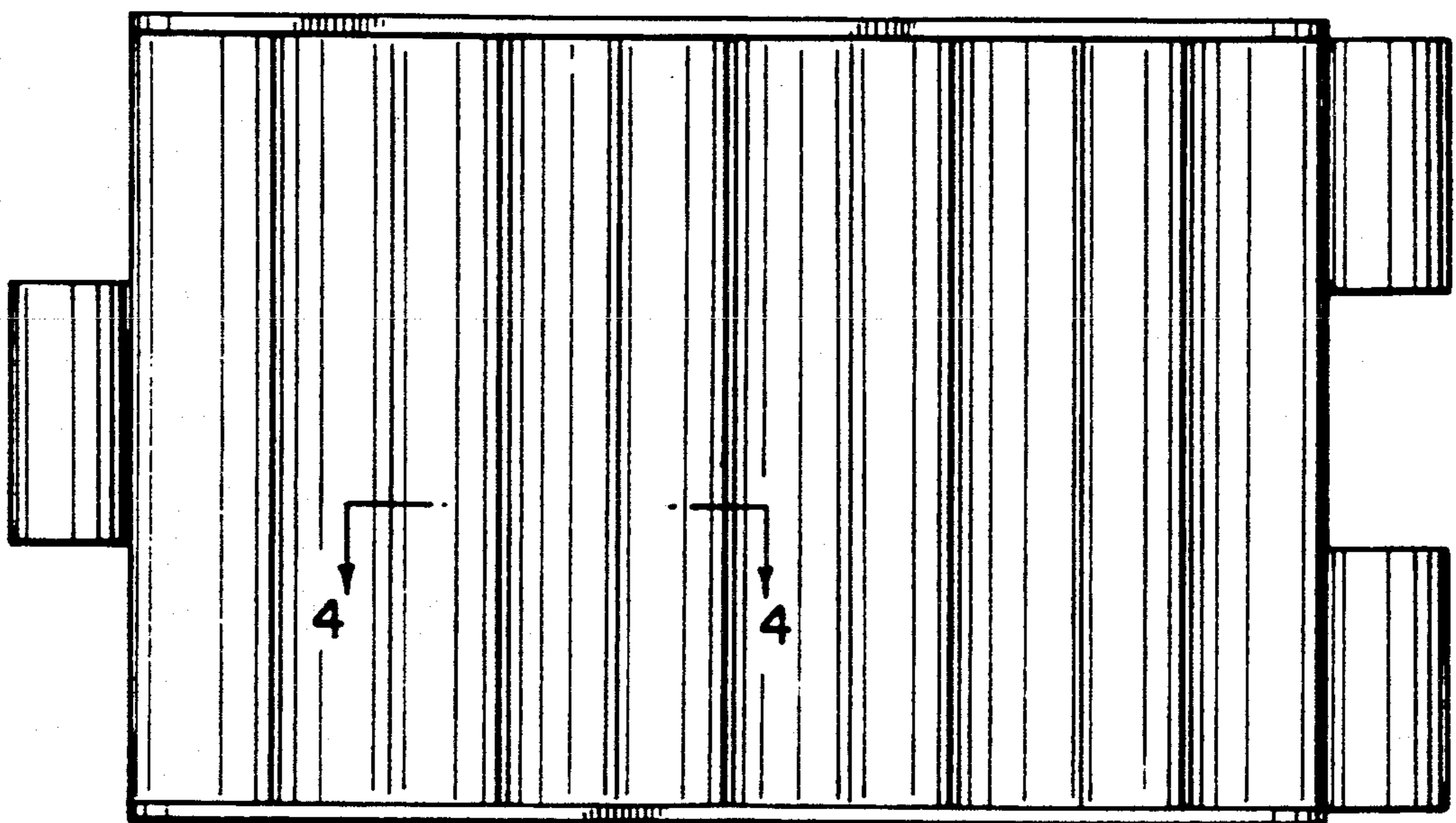


FIG. 6

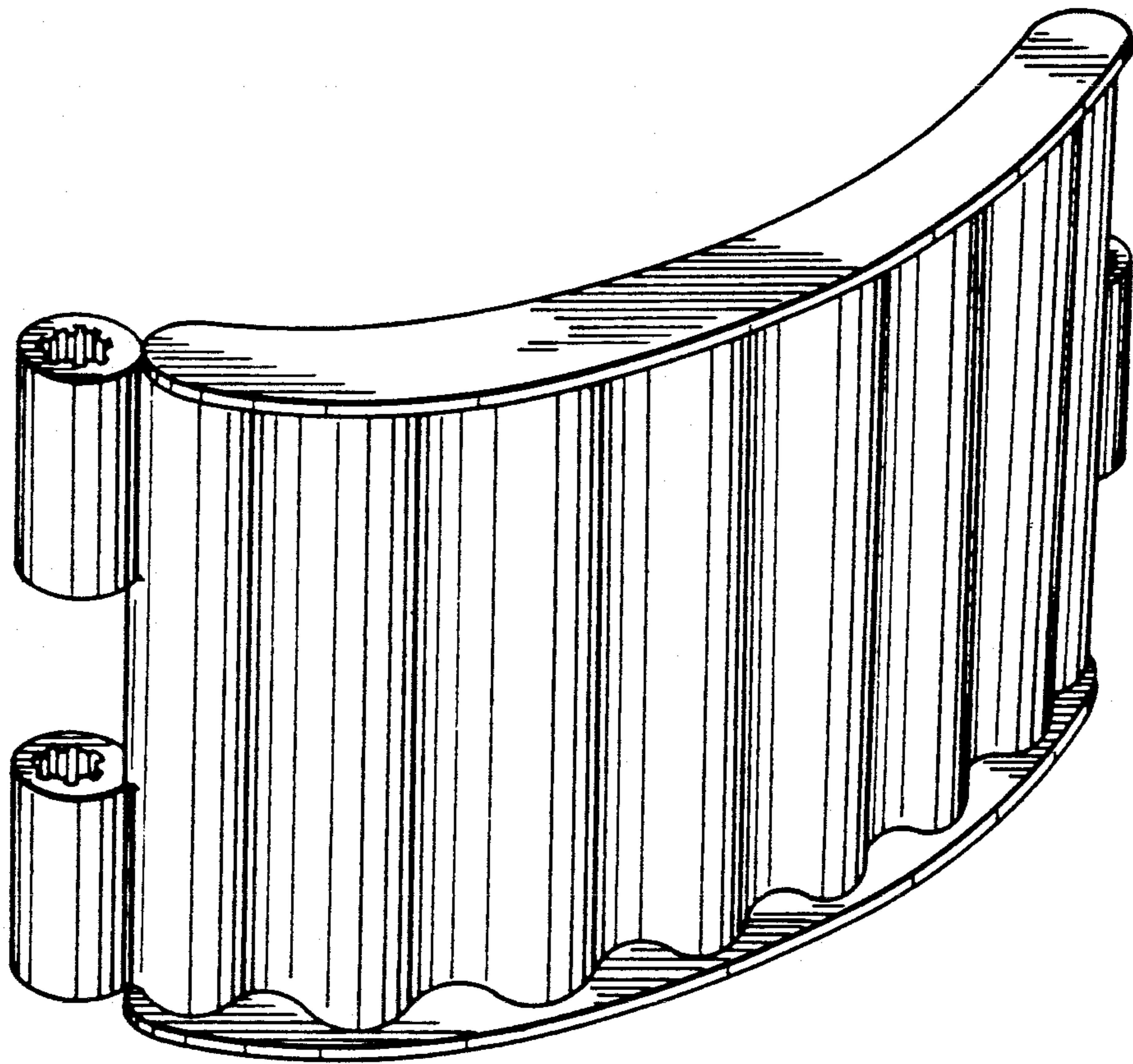


FIG. 7

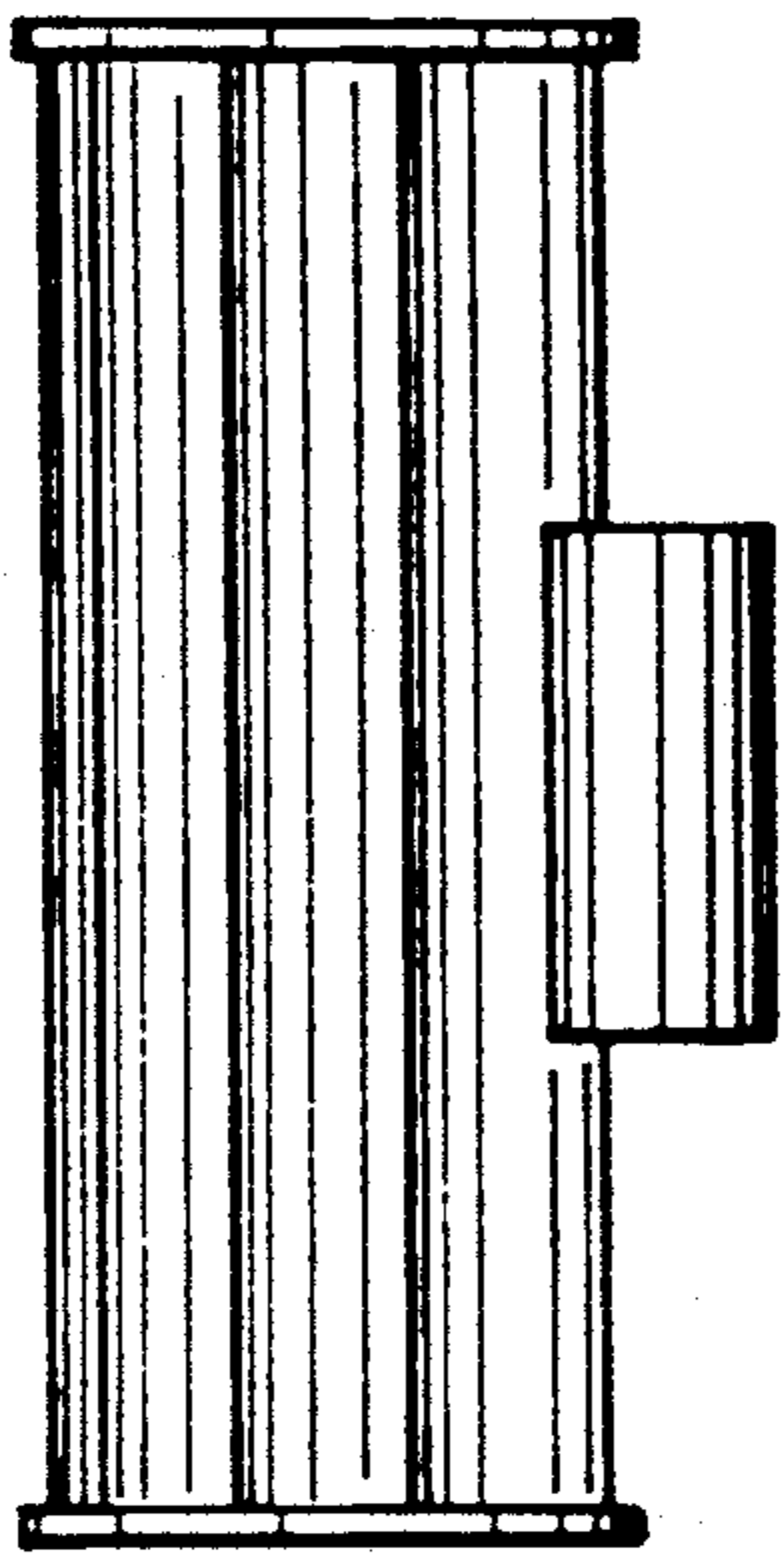


FIG. 8

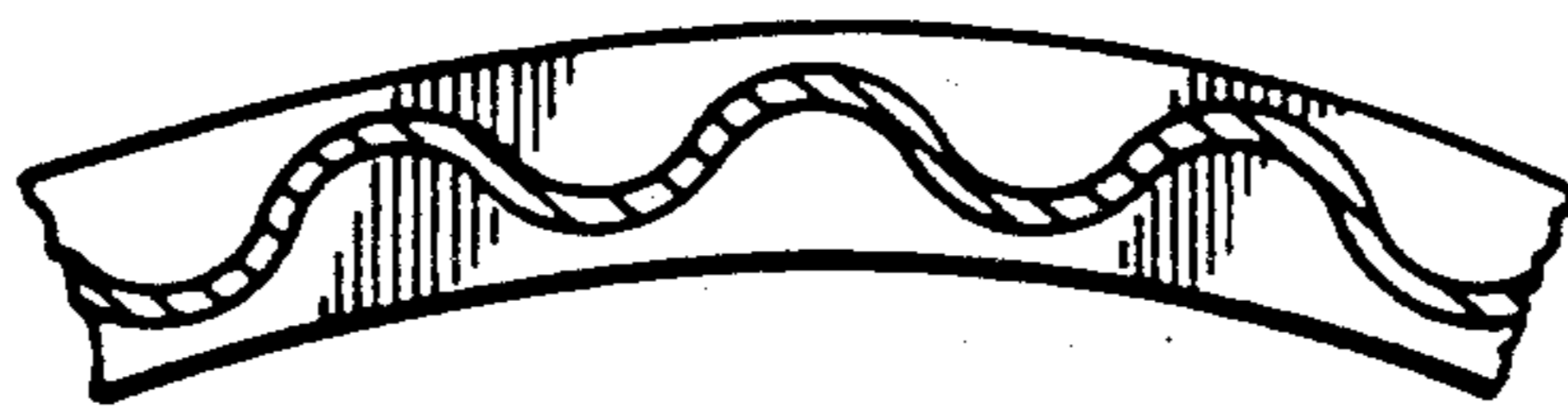


FIG. 10

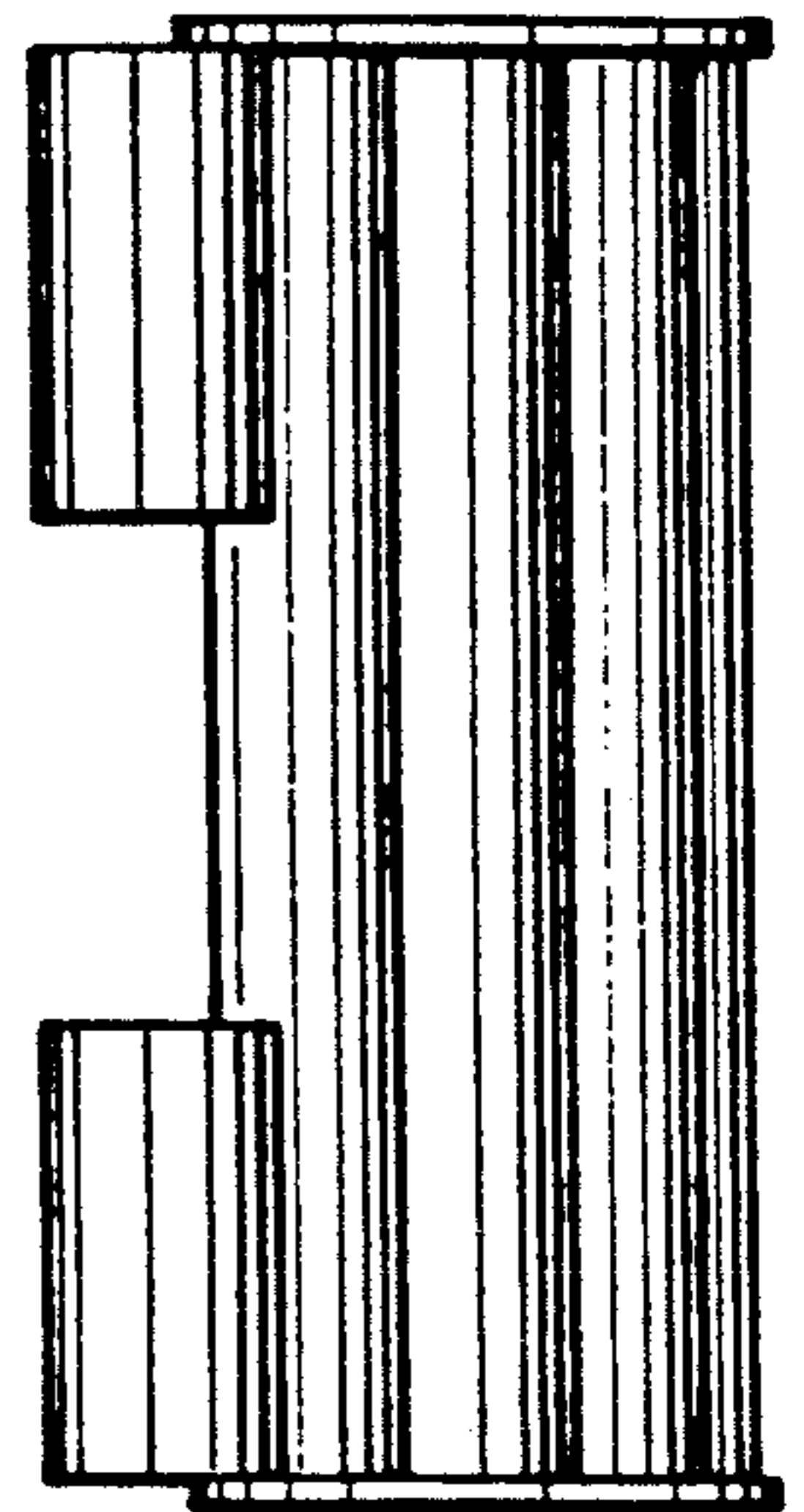


FIG. 9

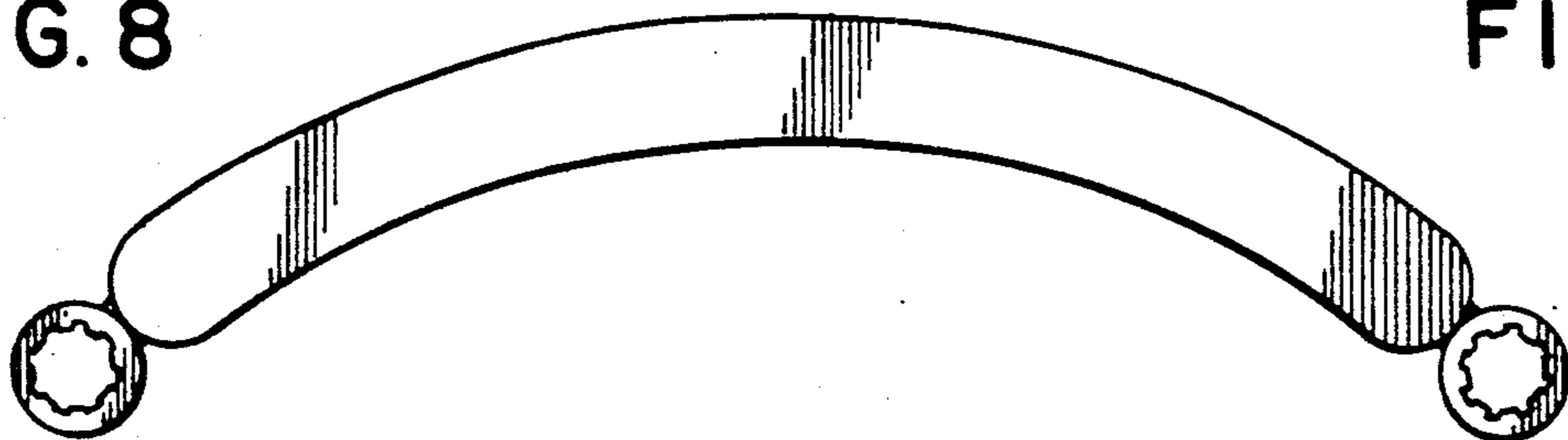


FIG. 11

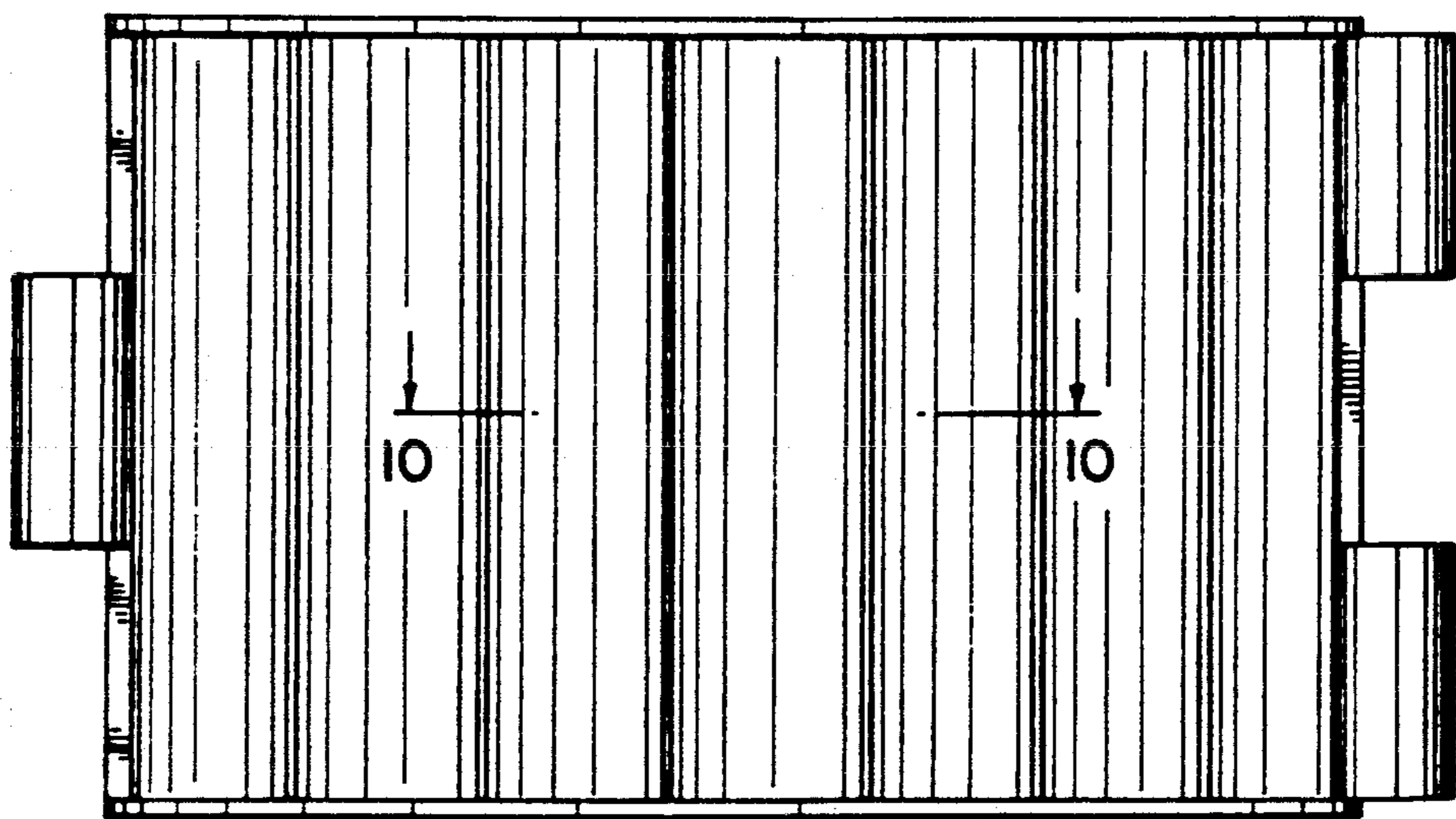


FIG. 12