



US00D323130S

# United States Patent [19]

Aizawa

[11] Patent Number: **Des. 323,130**

[45] Date of Patent: **\*\* Jan. 14, 1992**

## [54] CLOCK MOVEMENT

[75] Inventor: **Junichi Aizawa**, Tokyo, Japan

[73] Assignee: **Seikosha Co., Ltd.**, Japan

[\*\*] Term: **14 Years**

[21] Appl. No.: **311,574**

[22] Filed: **Feb. 15, 1989**

## [30] Foreign Application Priority Data

Sep. 6, 1988 [JP] Japan ..... 63-35228

[52] U.S. Cl. .... **D10/129**

[58] Field of Search ..... D10/128, 129, 131;  
368/76, 88, 30, 124, 139, 155, 220, 223-226,  
228, 229

## [56] References Cited

### U.S. PATENT DOCUMENTS

D. 303,226 9/1989 Moritaka ..... D10/129

D. 303,228 9/1989 Ikeda et al. .... D10/129  
D. 311,353 10/1990 Suzuki et al. .... D10/129  
4,711,584 12/1987 Tanazawa et al. .... 368/88

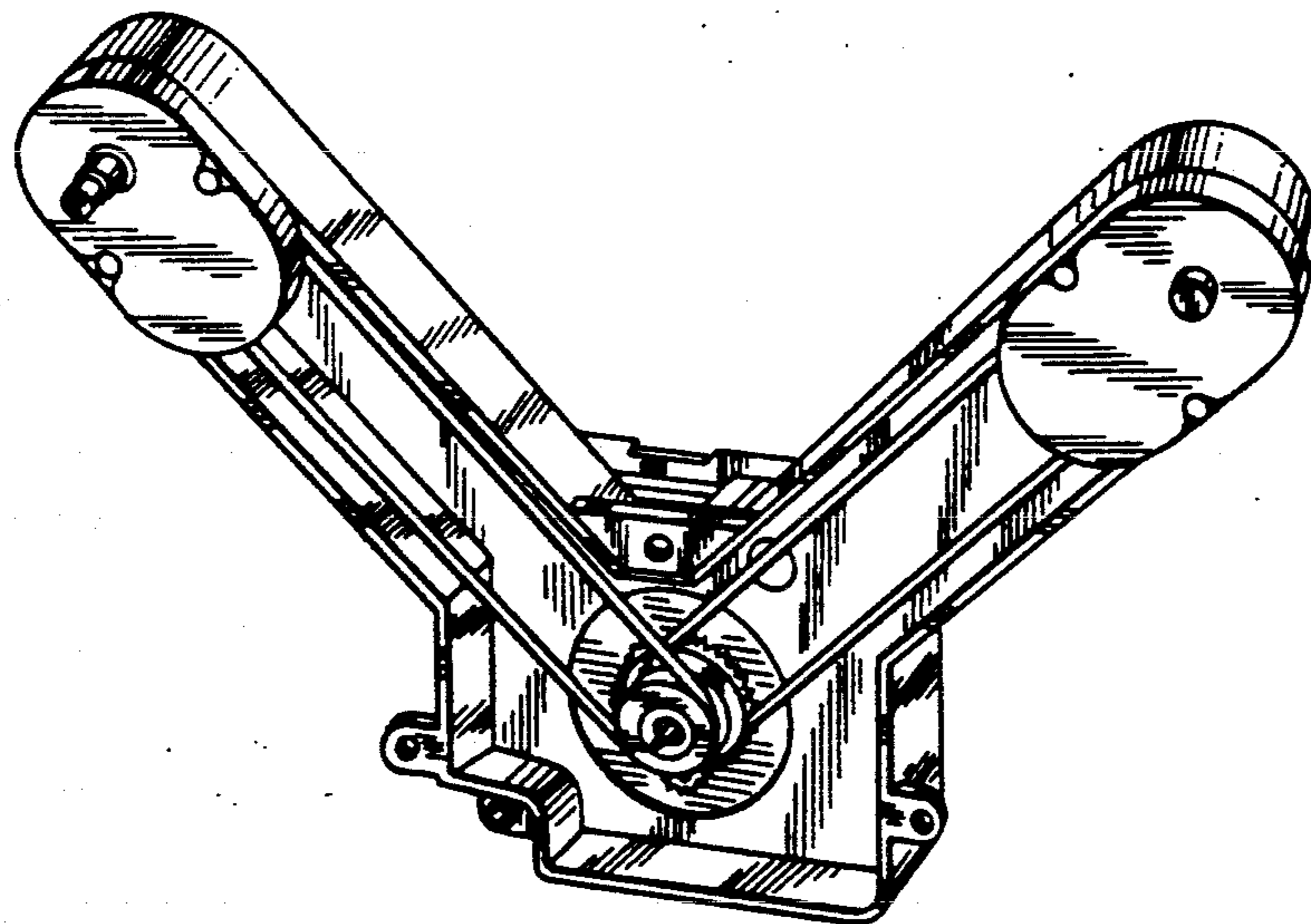
*Primary Examiner*—Nelson C. Holtje  
*Assistant Examiner*—Caron D. Veynar  
*Attorney, Agent, or Firm*—Bruce L. Adams; Van C. Wilks

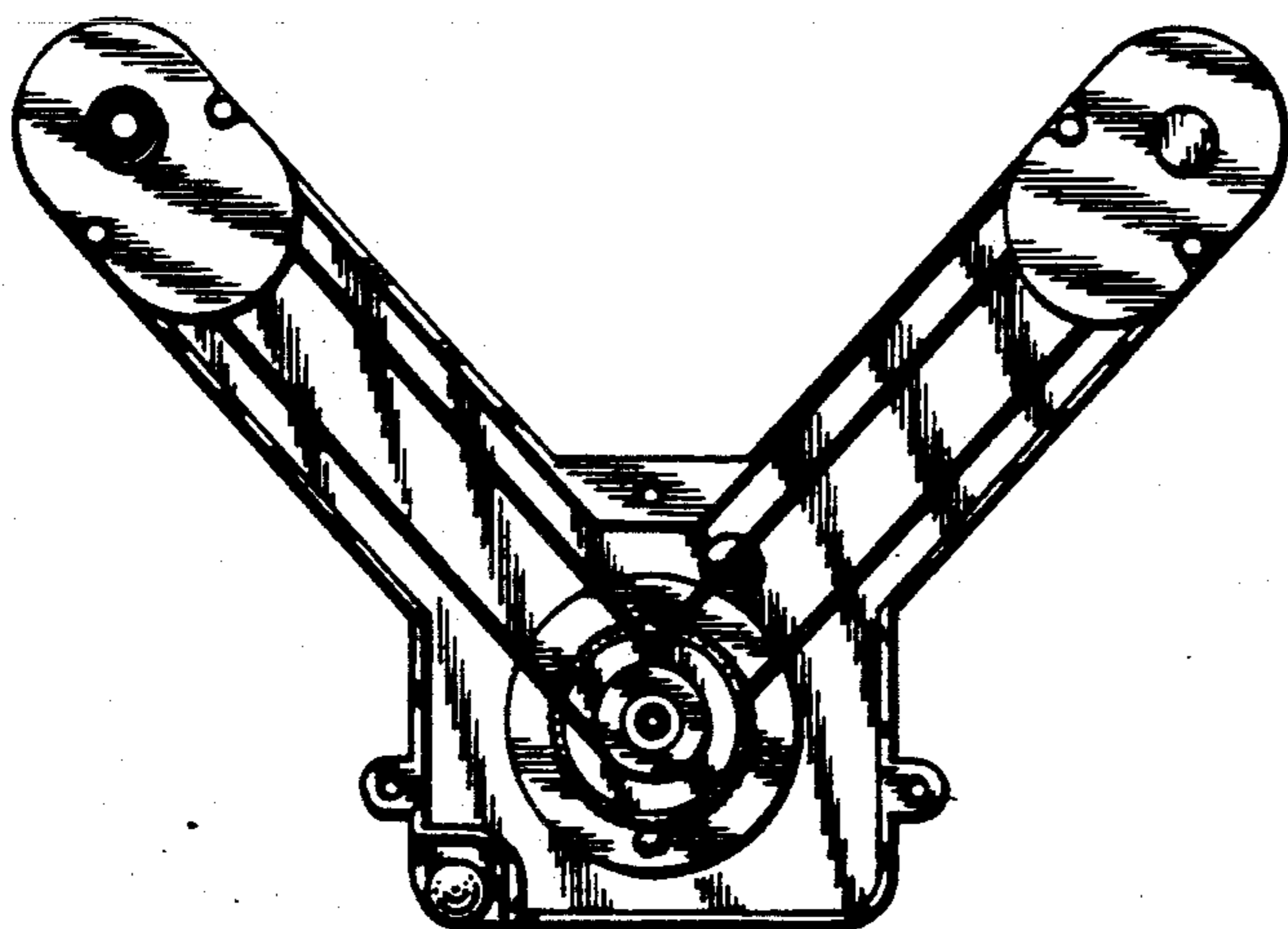
## [57] CLAIM

The ornamental design for a clock movement, as shown and described.

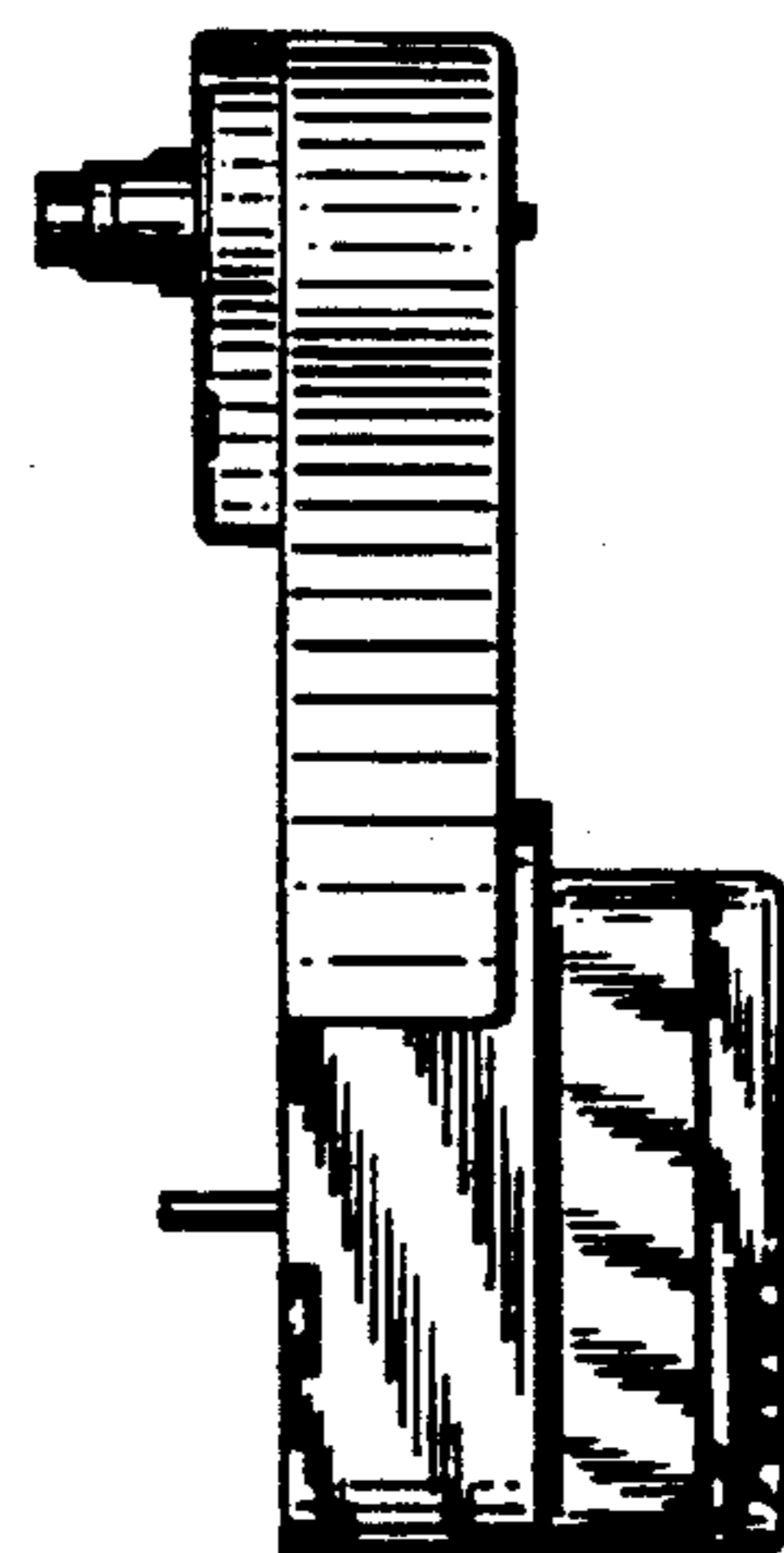
## DESCRIPTION

FIG. 1 is a front elevational view of a clock movement showing my new design;  
FIG. 2 is a rear elevational view thereof;  
FIG. 3 is a top plan view thereof;  
FIG. 4 is a bottom plan view thereof;  
FIG. 5 is a right side elevational view thereof;  
FIG. 6 is a left side elevational view thereof; and  
FIG. 7 is a right, front and top perspective view thereof.

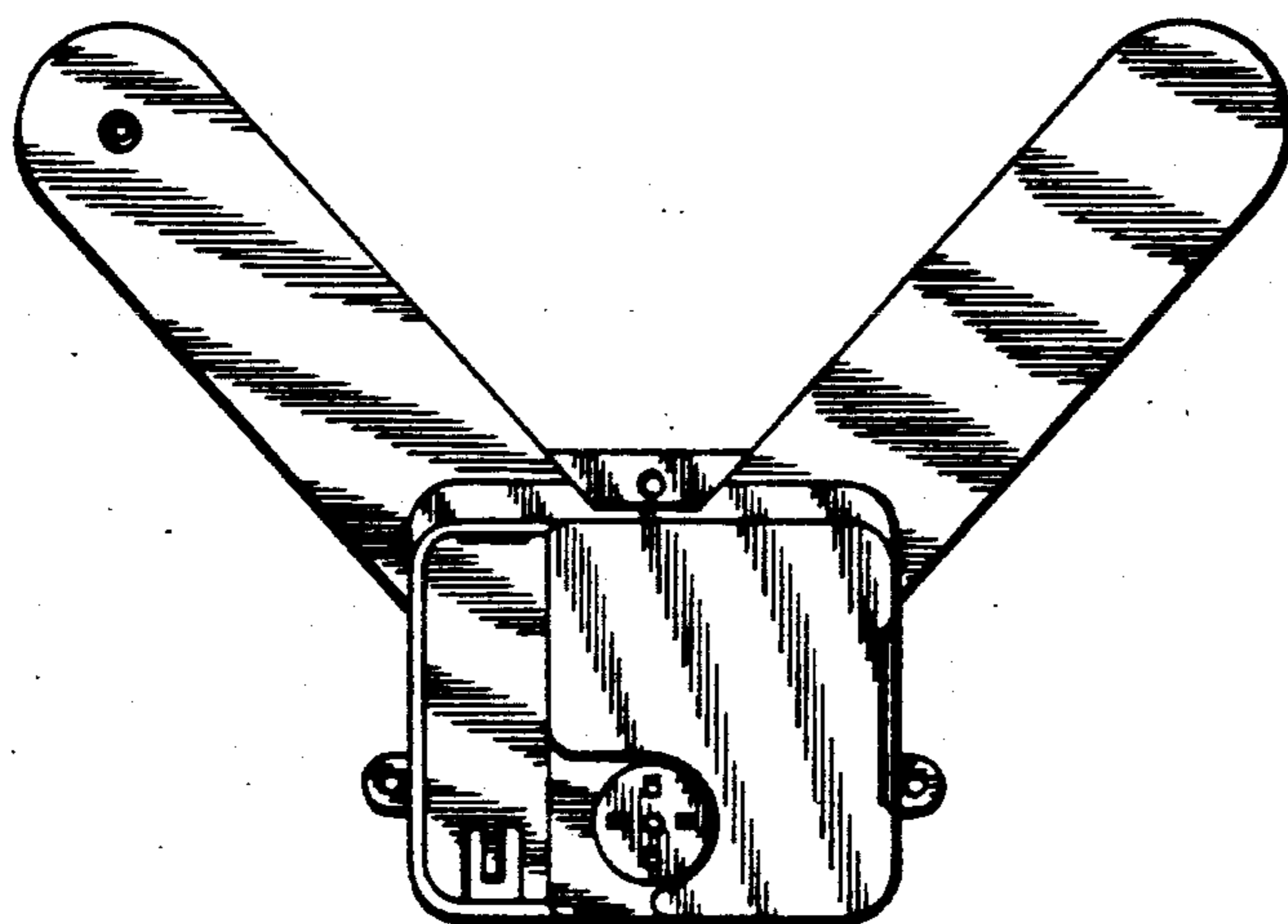




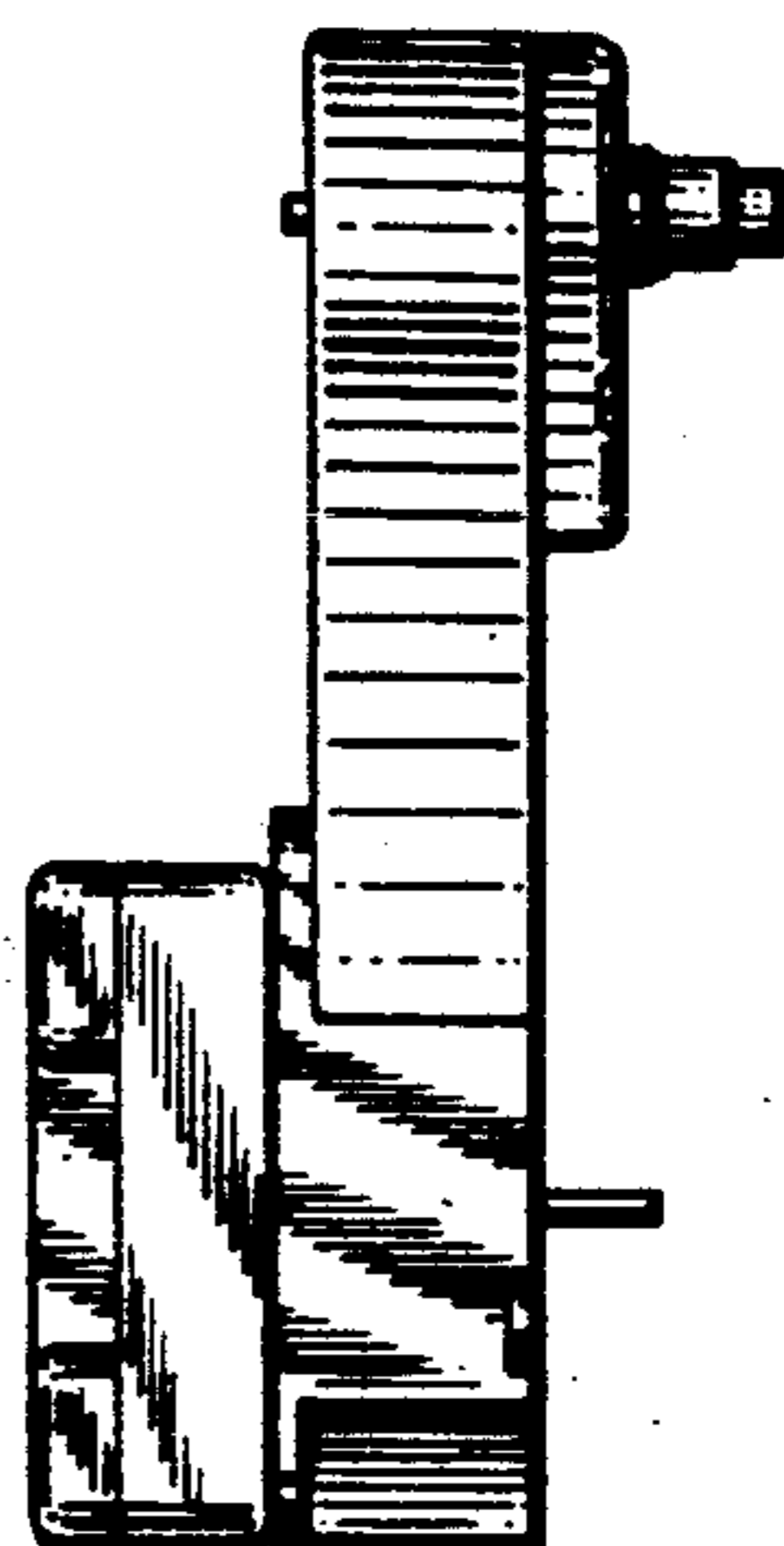
*FIG. 1*



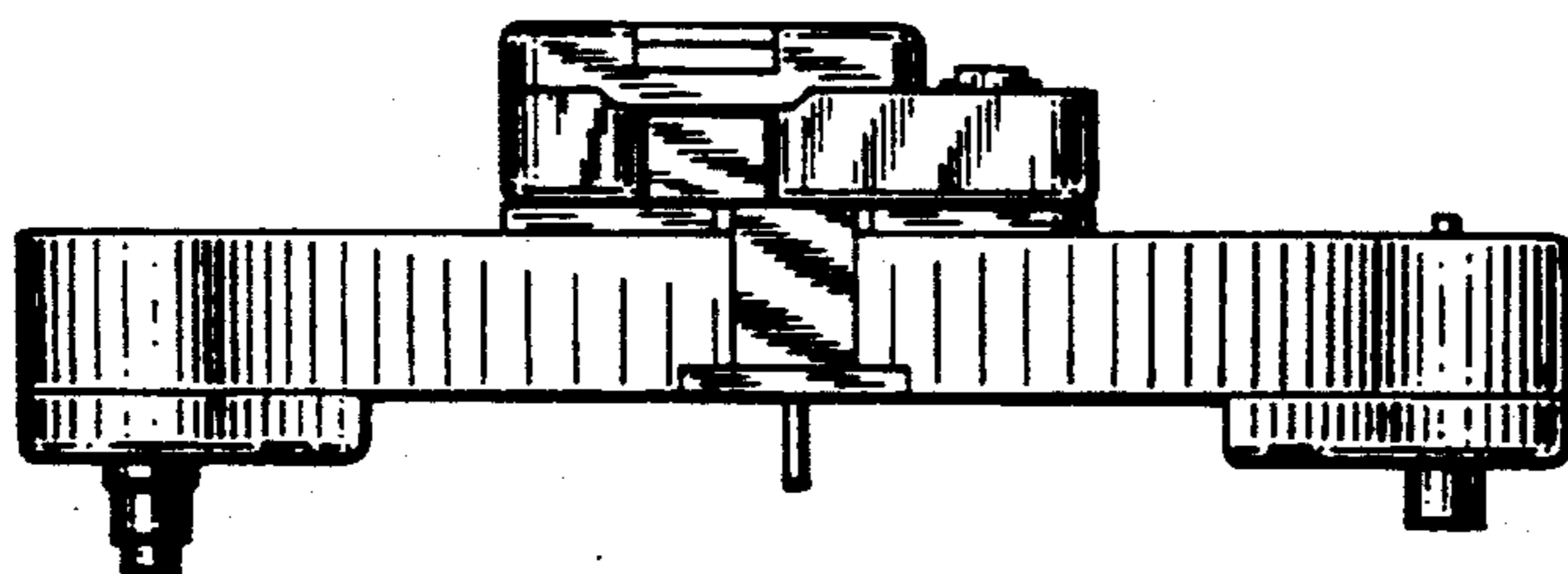
*FIG. 5*



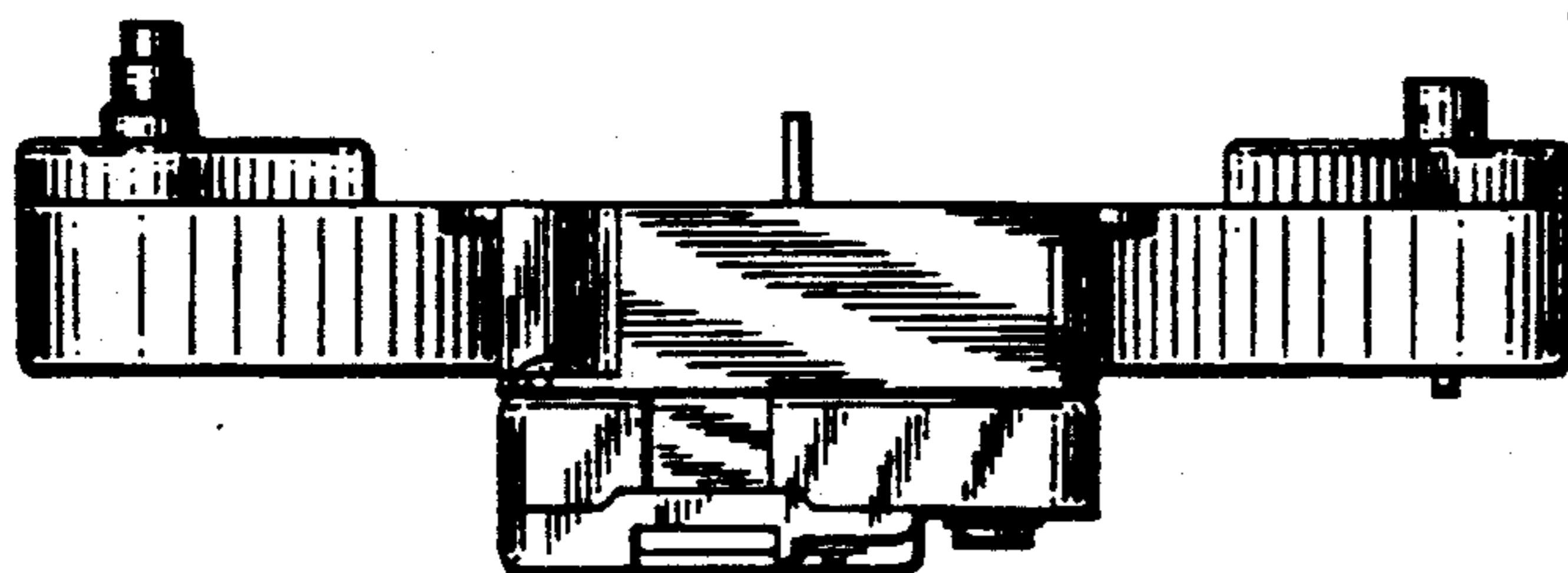
*FIG. 2*



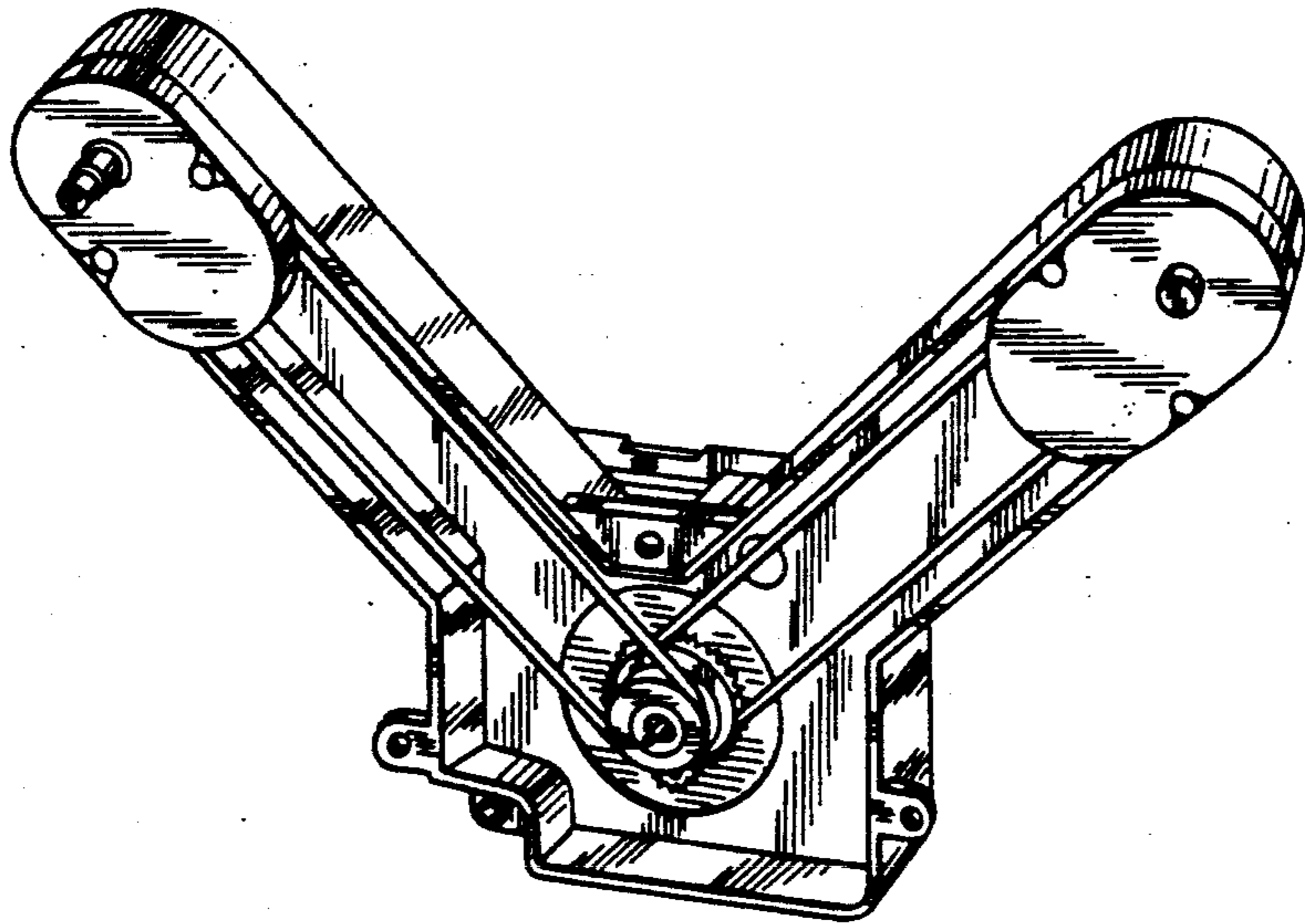
*FIG. 6*



*FIG. 3*



*FIG. 4*



**FIG. 7**