



US00D323117S

United States Patent [19]

[11] Patent Number: **Des. 323,117**

Demarest

[45] Date of Patent: **** Jan. 14, 1992**

[54] **ACTUATOR OVERCAP FOR PRESSURIZED CONTAINER**

[75] Inventor: **Scott W. Demarest**, Township of Caledonia, County of Racine, Wis.

[73] Assignee: **S. C. Johnson & Son, Inc.**, Racine, Wis.

[**] Term: **14 Years**

[21] Appl. No.: **423,823**

[22] Filed: **Oct. 18, 1989**

[52] U.S. Cl. **D9/448; D9/453**

[58] Field of Search **D9/434, 435, 448, 453, D9/300; 222/631-633, 196.2, 196.3, 198, 251, 255, 635; 239/337**

[56] **References Cited**

U.S. PATENT DOCUMENTS

- D. 24,862 11/1895 Abbott D9/453
- D. 234,576 3/1975 Mandeltort D9/448

- D. 255,550 6/1980 Kirk, Jr. D9/448
- D. 291,782 9/1987 O'Neil, Jr. et al. D9/448
- D. 293,213 12/1987 Crapser .
- D. 301,205 5/1989 Joyaux et al. D9/448
- 3,195,783 7/1965 Crowell D9/448 X
- 3,873,005 3/1975 Hazard D9/448 X

Primary Examiner—Bernard Ansher
Assistant Examiner—Dominic Simone

[57] **CLAIM**

The ornamental design for an actuator overcap for pressurized container, as shown and described.

DESCRIPTION

FIG. 1 is a perspective view of an actuator overcap for a pressurized container showing my new design; FIG. 2 is a front elevational view thereof; FIG. 3 is a side elevational view thereof, the elevational view from the opposite side being similar; FIG. 4 is a rear elevational view thereof; and FIG. 5 is a top plan view thereof.

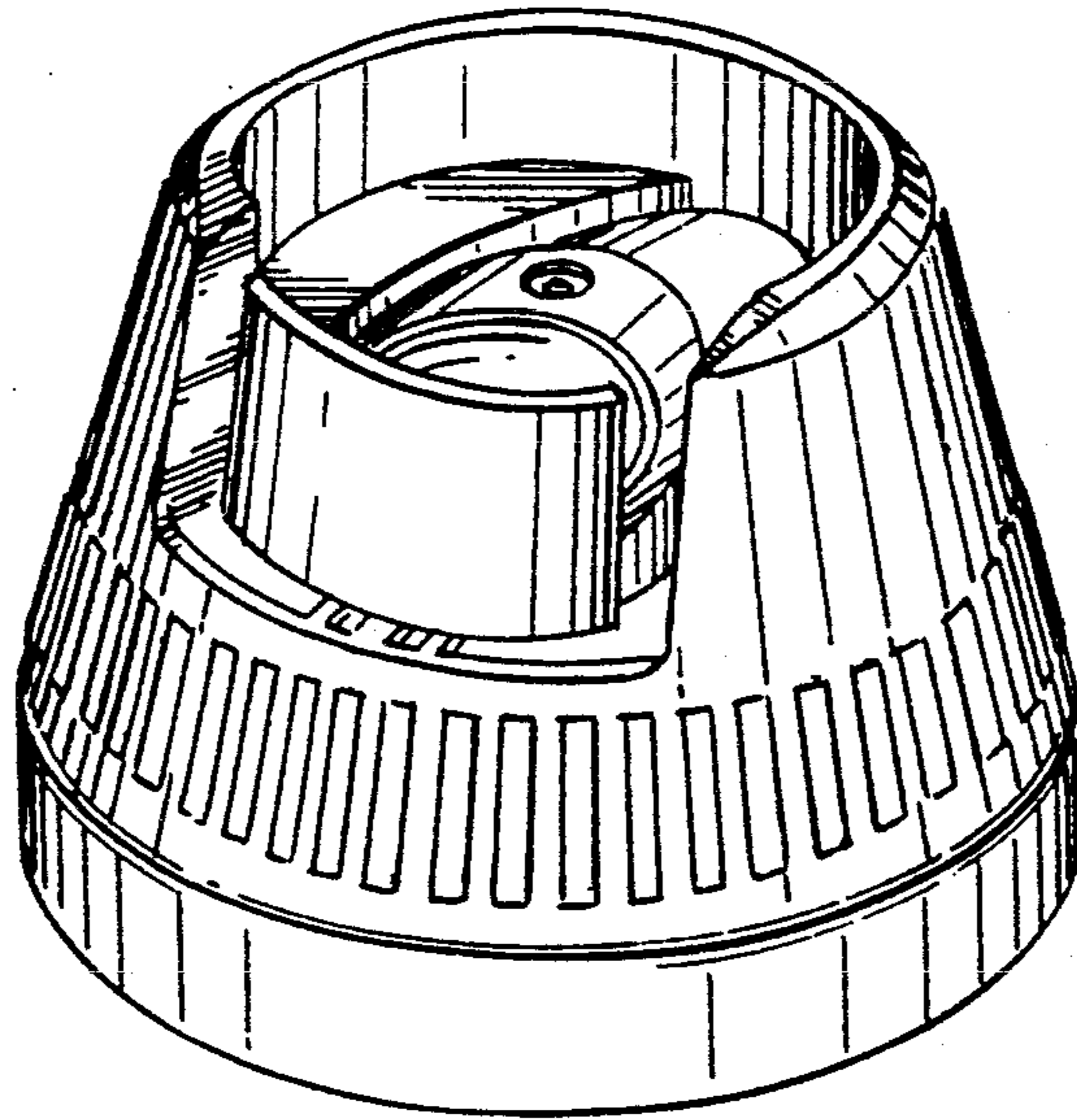


FIG. 1

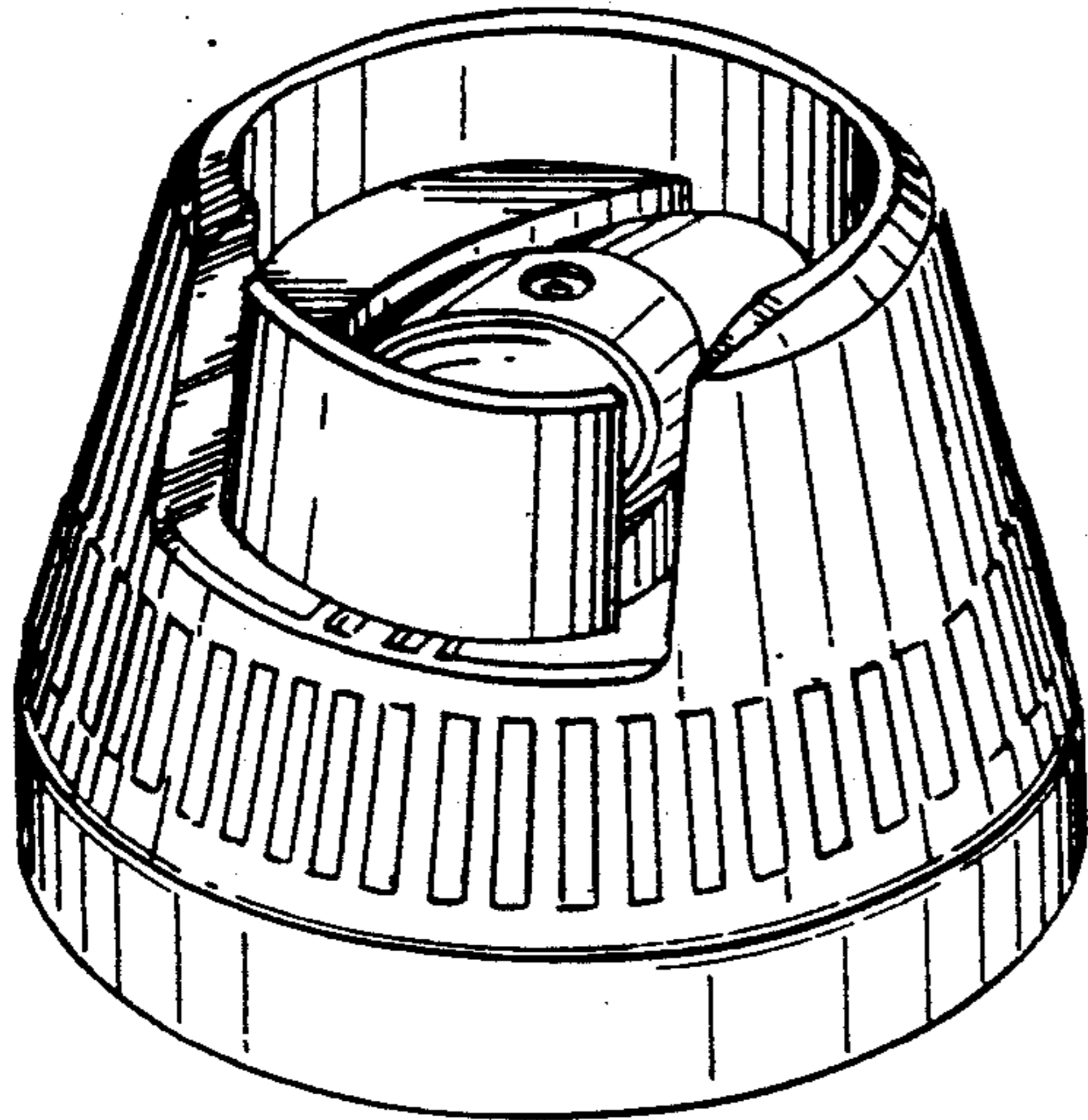


FIG. 2

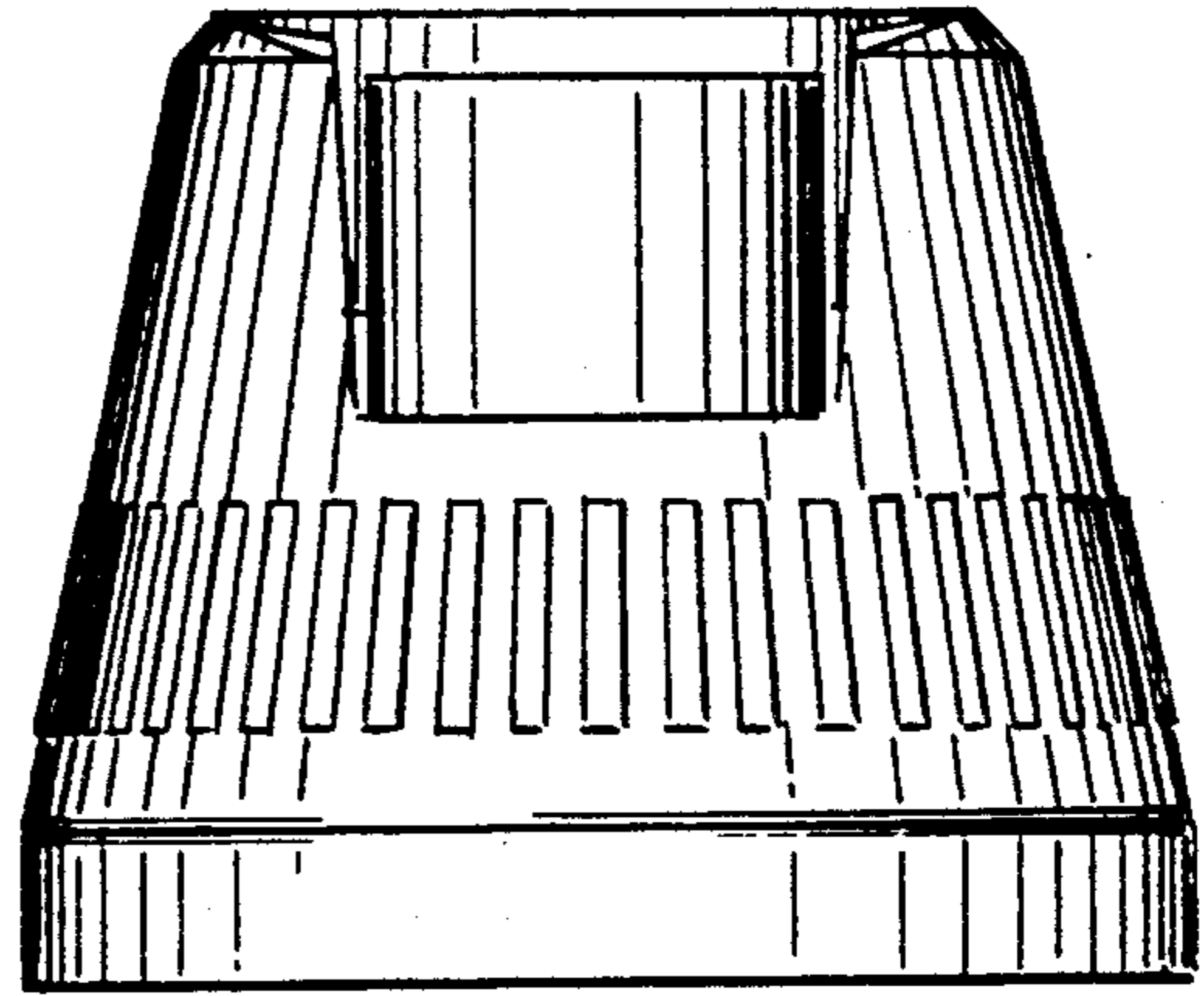


FIG. 3

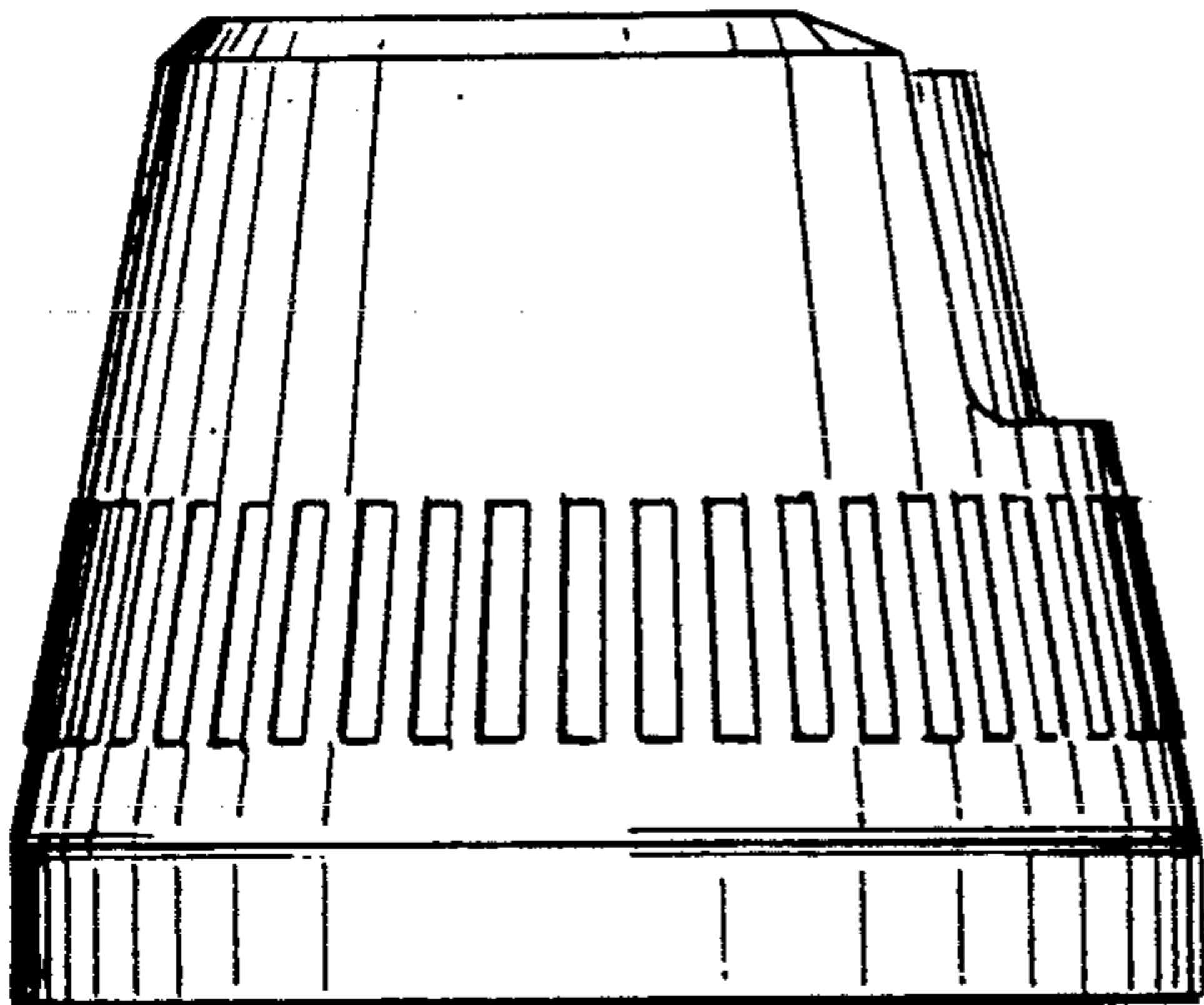


FIG. 4

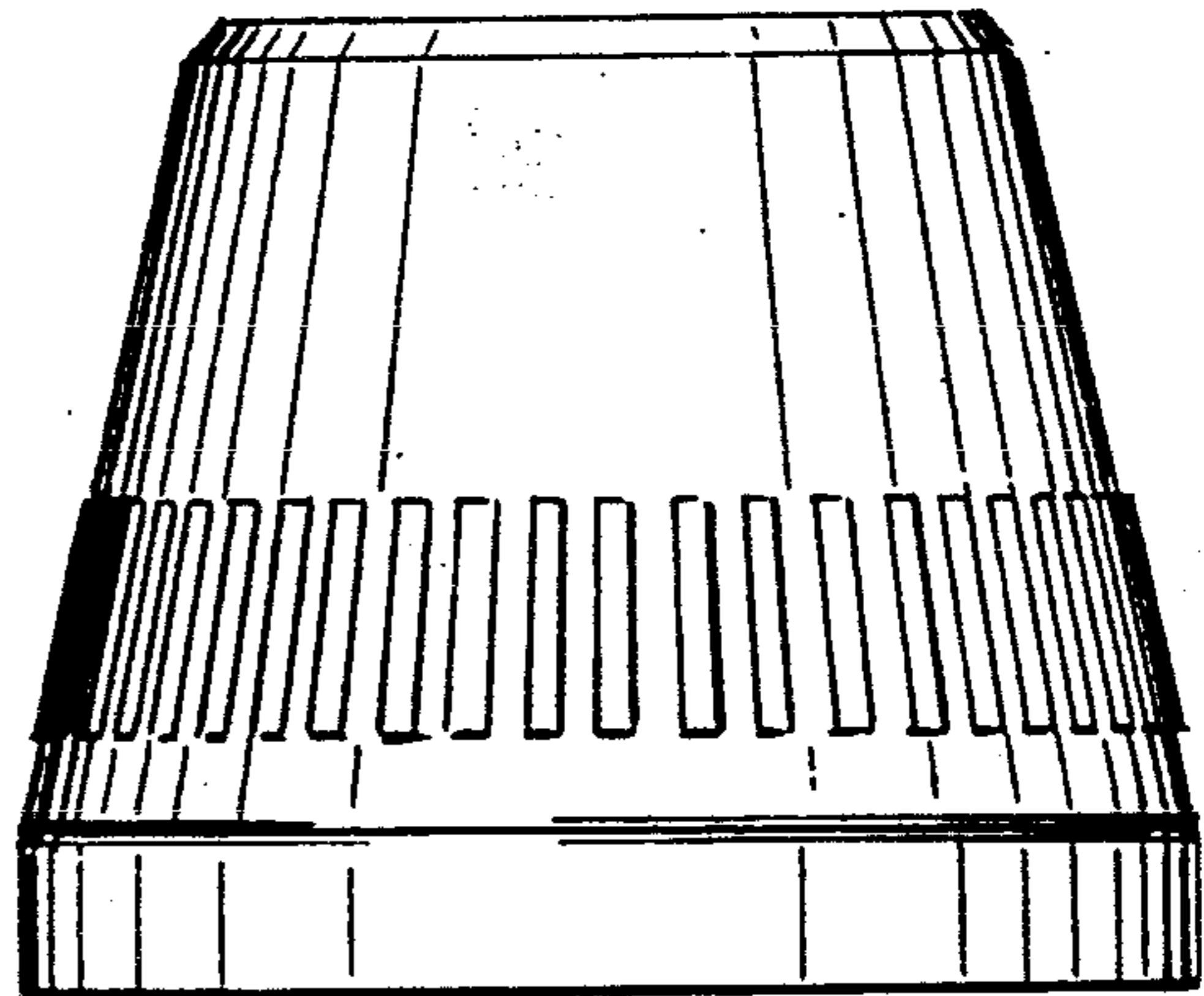


FIG. 5

