



US00D323116S

United States Patent [19]

[11] Patent Number: Des. 323,116

Dart et al.

[45] Date of Patent: ** Jan. 14, 1992

[54] **SPLASH PROOF VENTED LID**

[75] Inventors: Robert C. Dart, Okemos, Mich.; John R. Darras, Leola, Pa.

[73] Assignee: Dart Container Corporation, Mason, Mich.

[**] Term: 14 Years

[21] Appl. No.: 367,706

[22] Filed: Jun. 19, 1989

[52] U.S. Cl. D9/447; D9/435; D9/443; D9/454

[58] Field of Search D9/434, 435, 447, 449, D9/454, 443; 220/90.6, 90.4, 254, 369

[56] **References Cited**

U.S. PATENT DOCUMENTS

D. 182,779	5/1958	Tupper	D9/443 X
D. 220,754	5/1971	Zundel	D9/447
D. 274,983	8/1984	Dart et al.	D9/447
2,414,697	1/1947	Pettersson	65/13
3,048,317	8/1962	Cochrane et al.	220/254 X
3,421,681	1/1969	Frank	229/43
3,557,995	1/1971	Mirasol	220/42
3,727,808	4/1973	Fitzgerald	222/482
4,113,135	9/1978	Yamazaki	220/90.4 X
4,186,842	2/1980	Albert	220/90.4 X
4,187,954	2/1980	Striggow	220/90.4
4,333,583	6/1982	Montemarano	220/90.4
4,394,928	7/1983	Philip	220/366
4,412,629	11/1983	Dart et al.	220/90.4
4,428,498	1/1984	Obey	220/367

Primary Examiner—Bernard Ansher
Assistant Examiner—Dominic Simone

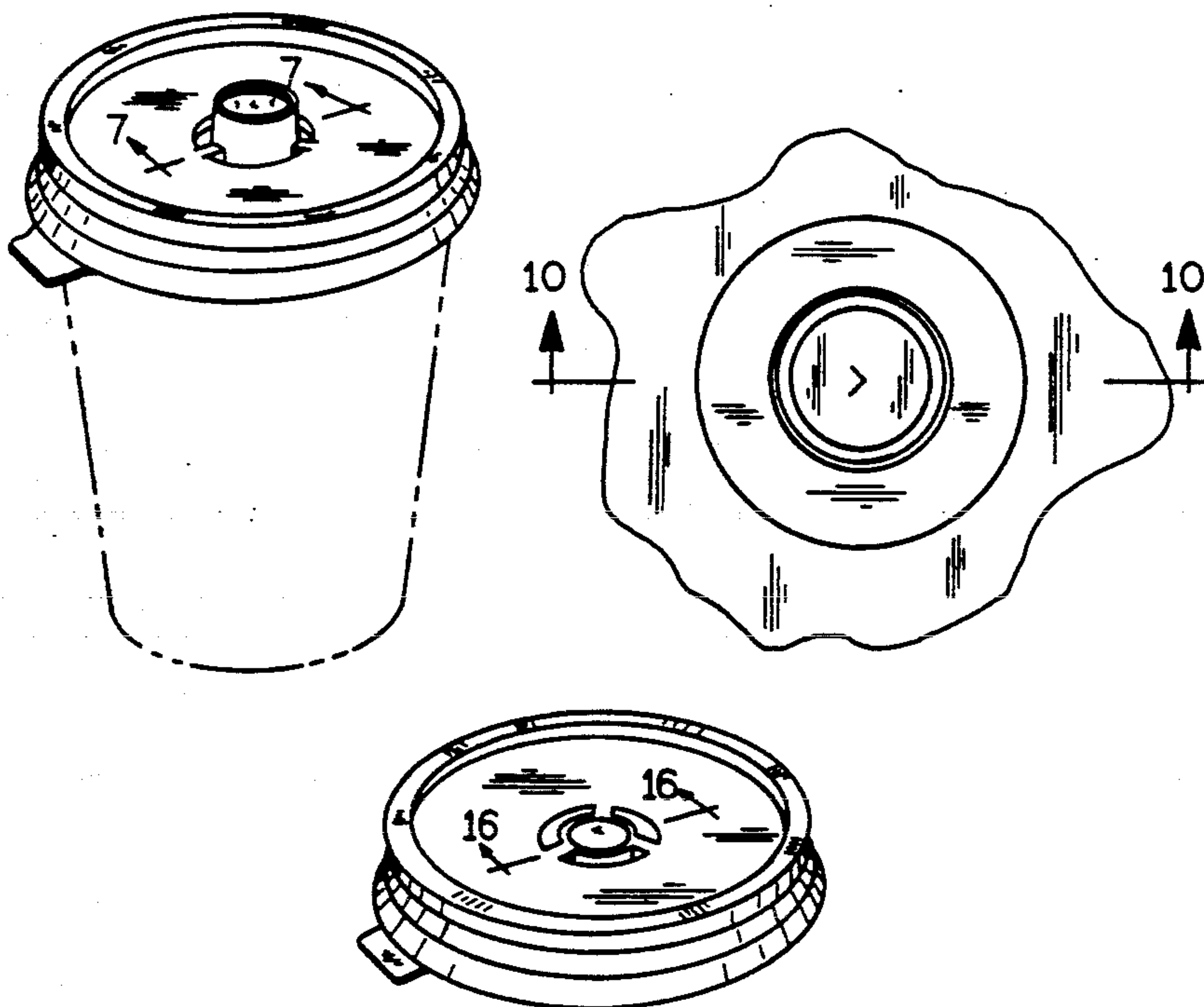
Attorney, Agent, or Firm—Miller, Morriss & Pappas

[57] **CLAIM**

The ornamental design for a splash proof vented lid, as shown and described.

DESCRIPTION

FIG. 1 is a perspective view of a splash proof vented lid showing our new design;
 FIG. 2 is a bottom perspective view thereof;
 FIG. 3 is a bottom plan view thereof;
 FIG. 4 is a top plan view thereof;
 FIG. 5 is a side elevational view thereof;
 FIG. 6 is an enlarged sectional view taken on the line 6—6 of FIG. 4;
 FIG. 7 is an enlarged partial sectional view taken in the direction of the arrows along line 7—7 in FIG. 1;
 FIG. 8 is an enlarged partial top plan view of a second embodiment of FIG. 1, shown broken away for clarity of illustration;
 FIG. 9 is an enlarged partial bottom plan view of FIG. 8;
 FIG. 10 is an enlarged partial sectional view of FIG. 8, taken in the direction of the arrows along line 10—10 of FIG. 8;
 FIG. 11 is a top perspective view of a third embodiment of FIG. 1;
 FIG. 12 is a bottom perspective view of FIG. 11;
 FIG. 13 is a top plan view of FIG. 11;
 FIG. 14 is a side elevational view of FIG. 11;
 FIG. 15 is a bottom plan view of FIG. 11; and
 FIG. 16 is an enlarged partial cross sectional view of FIG. 11, taken in the direction of the arrows along line 16—16 of FIG. 11.
 The broken lines showing a container in FIG. 1 are for illustrating environmental use only.



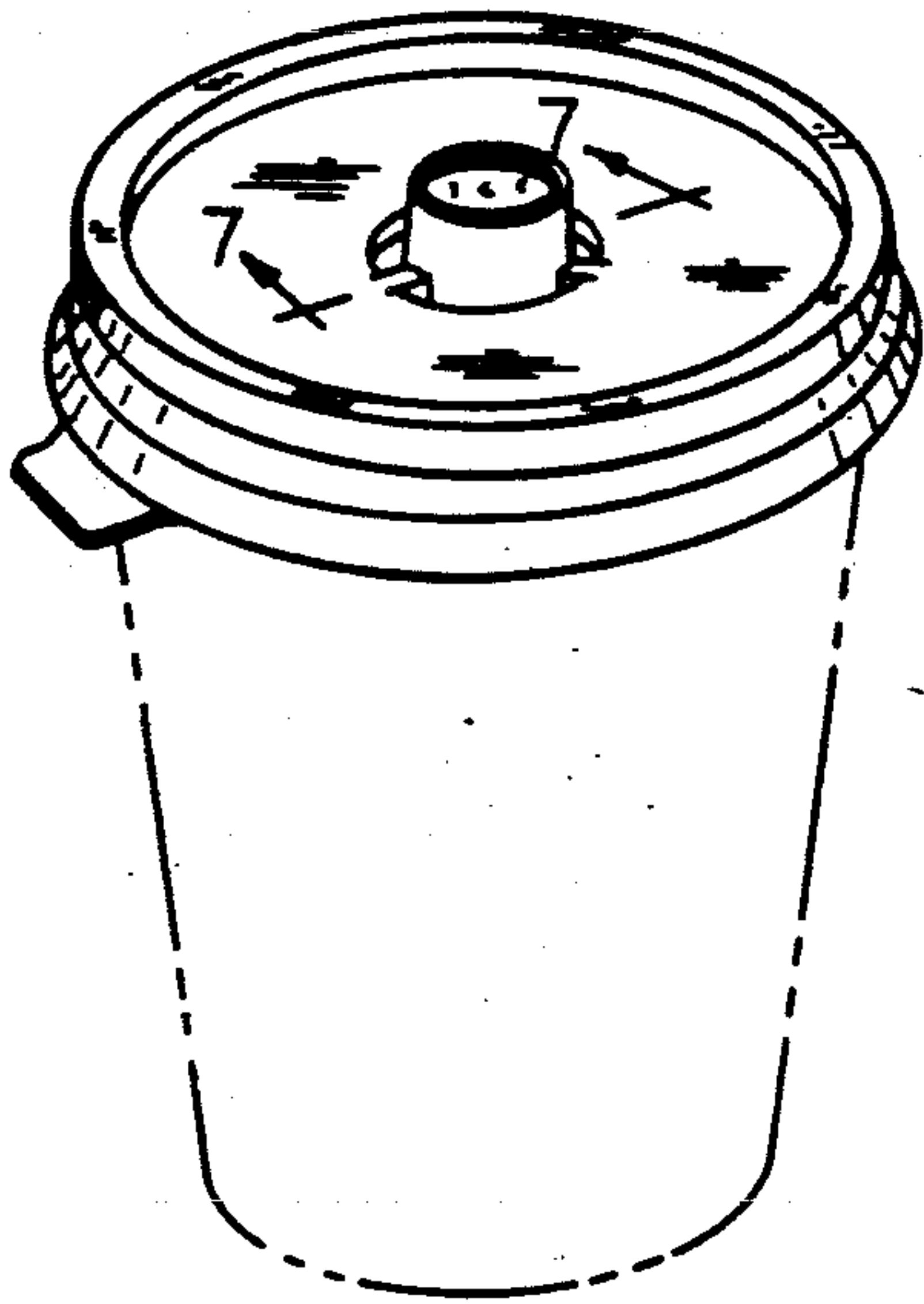


FIG. 1

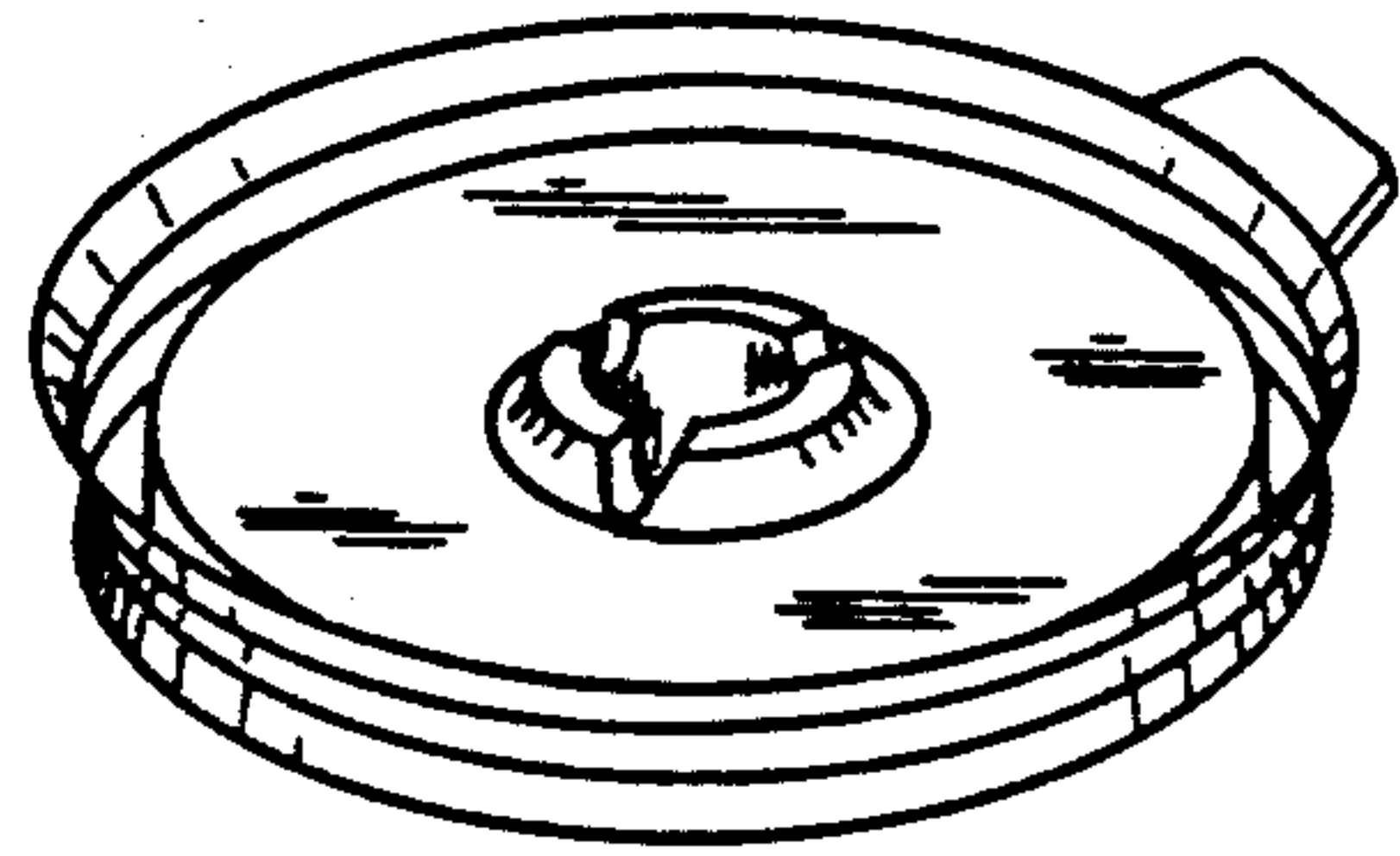


FIG. 2

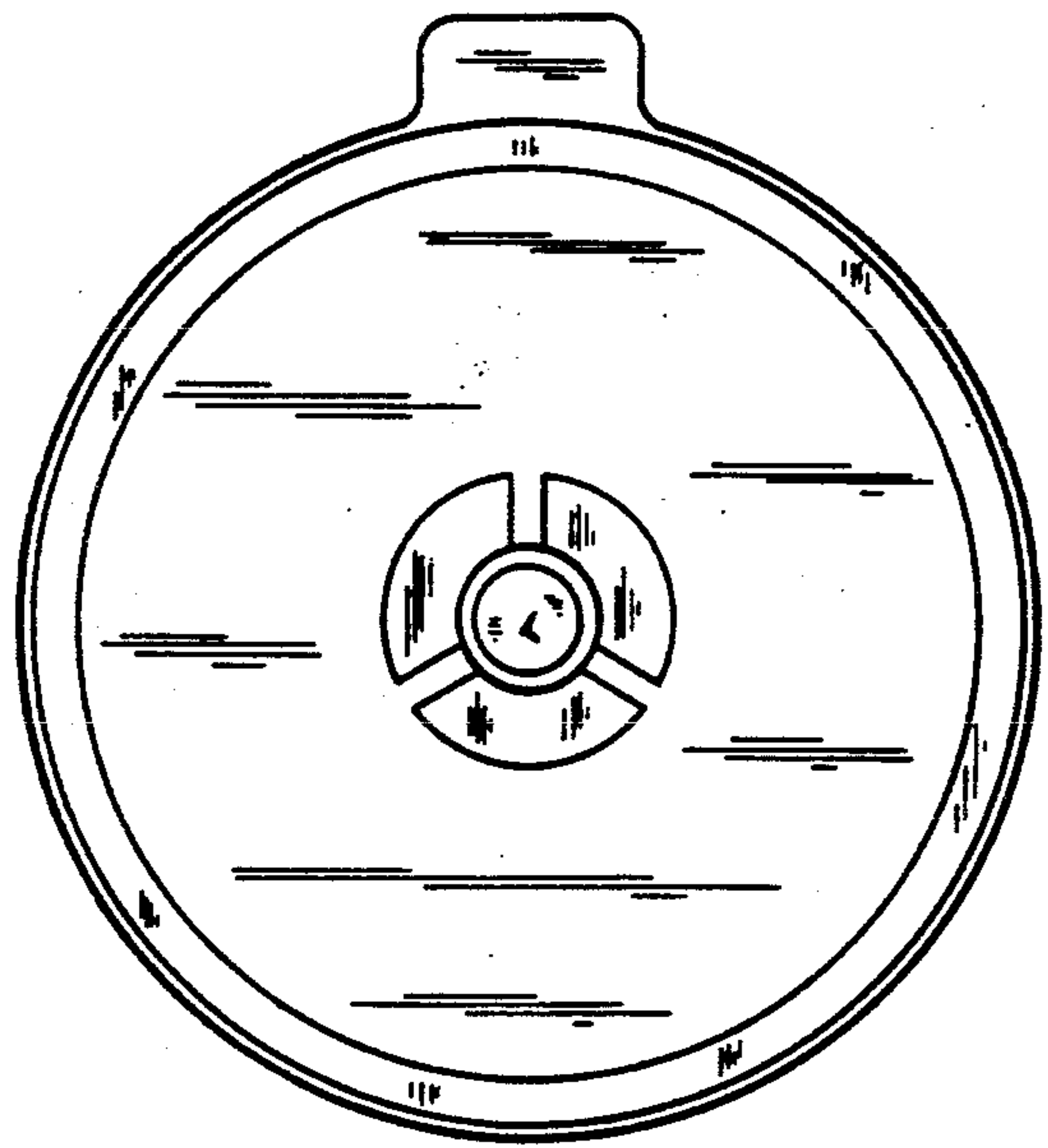


FIG. 3

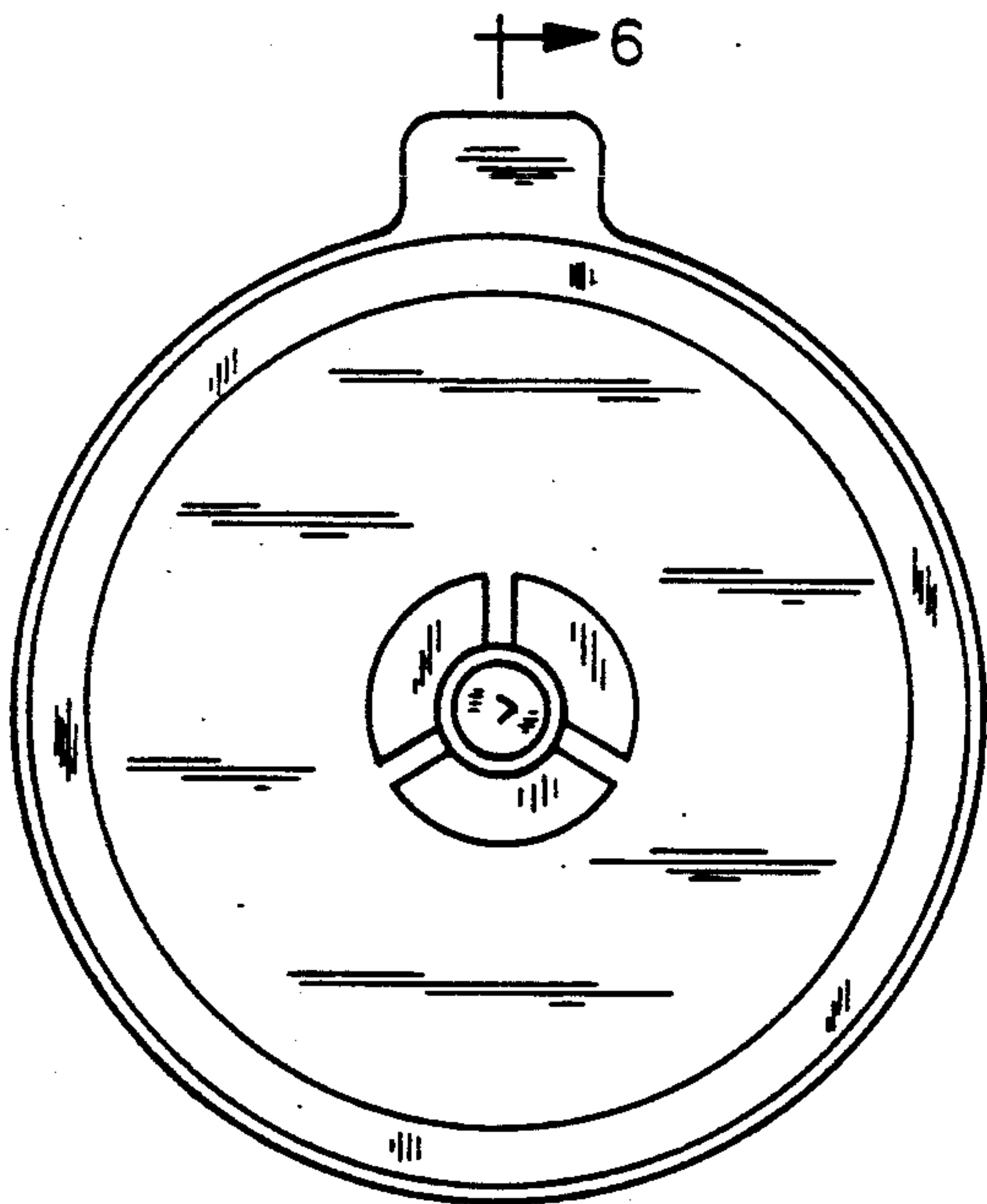


FIG. 4

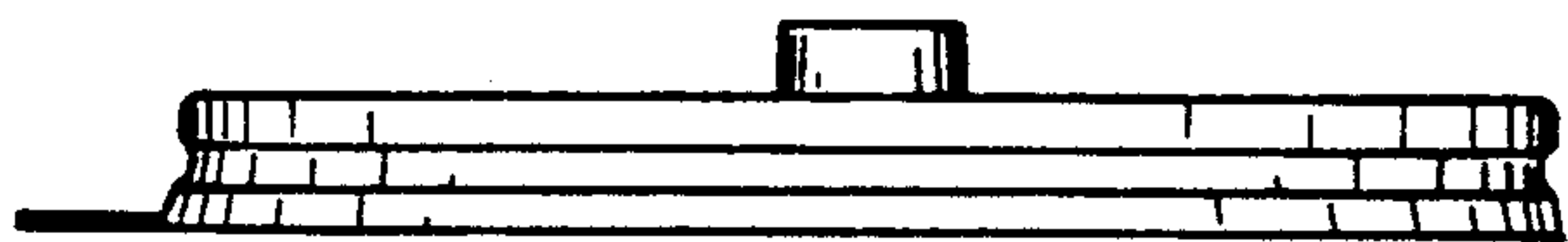
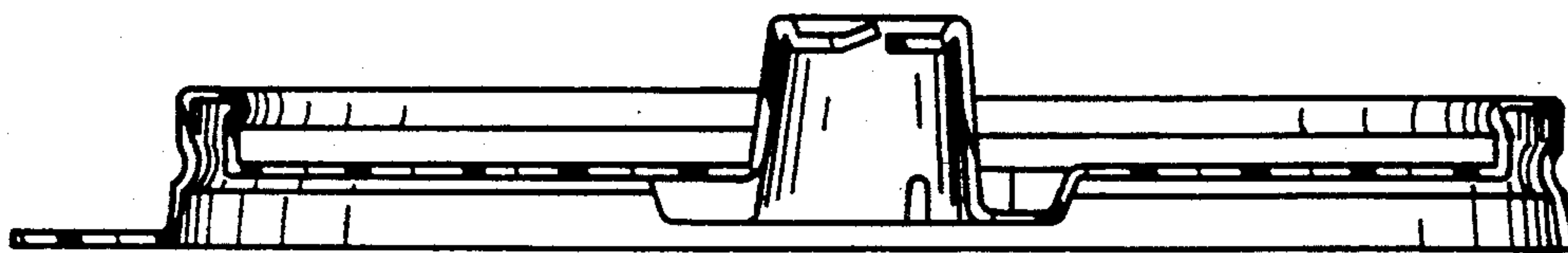
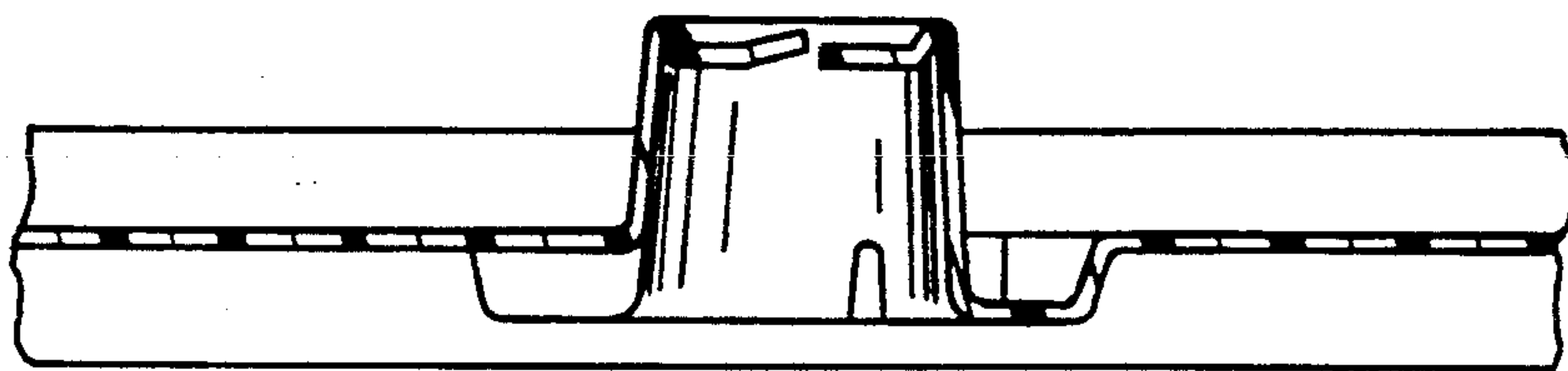


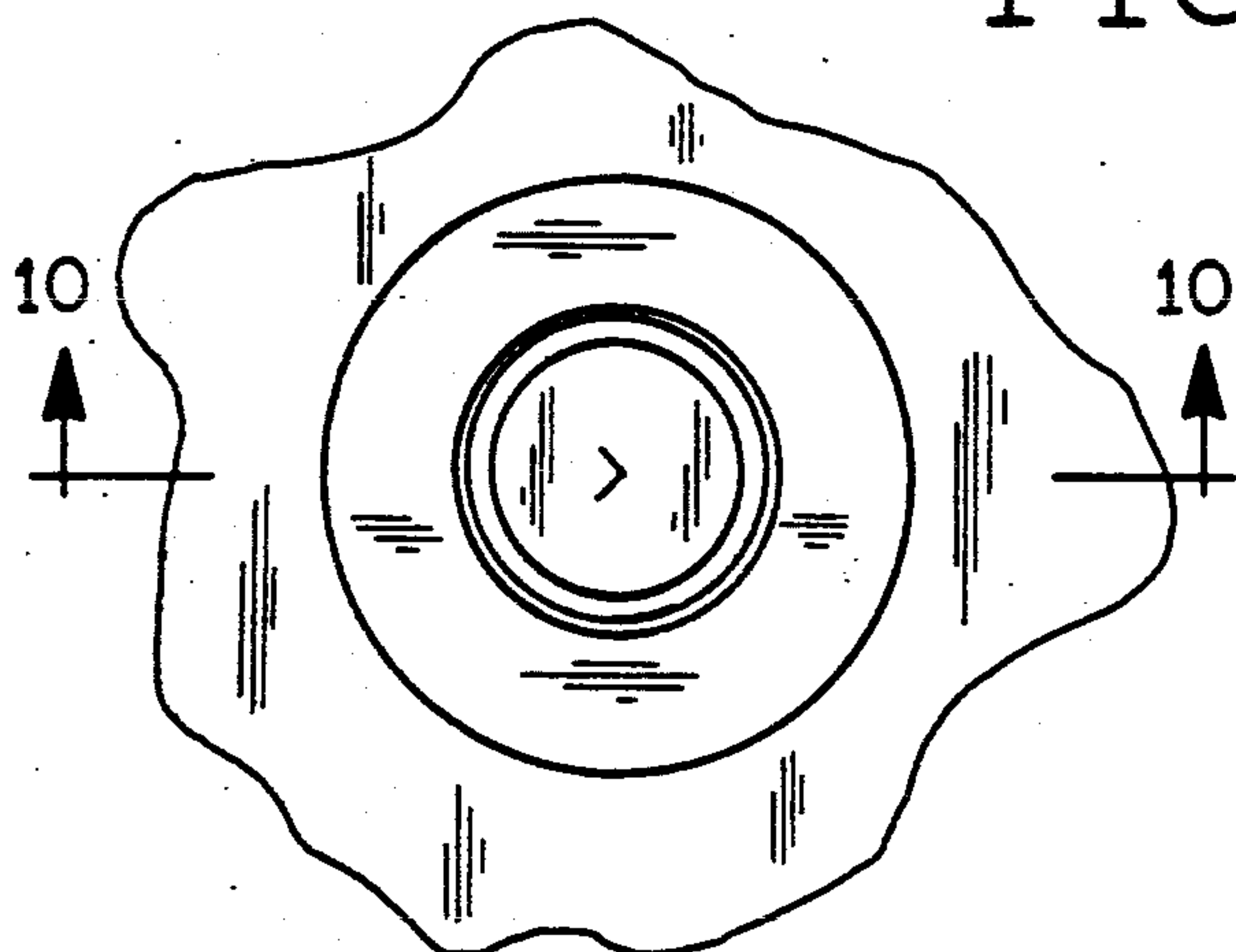
FIG. 5



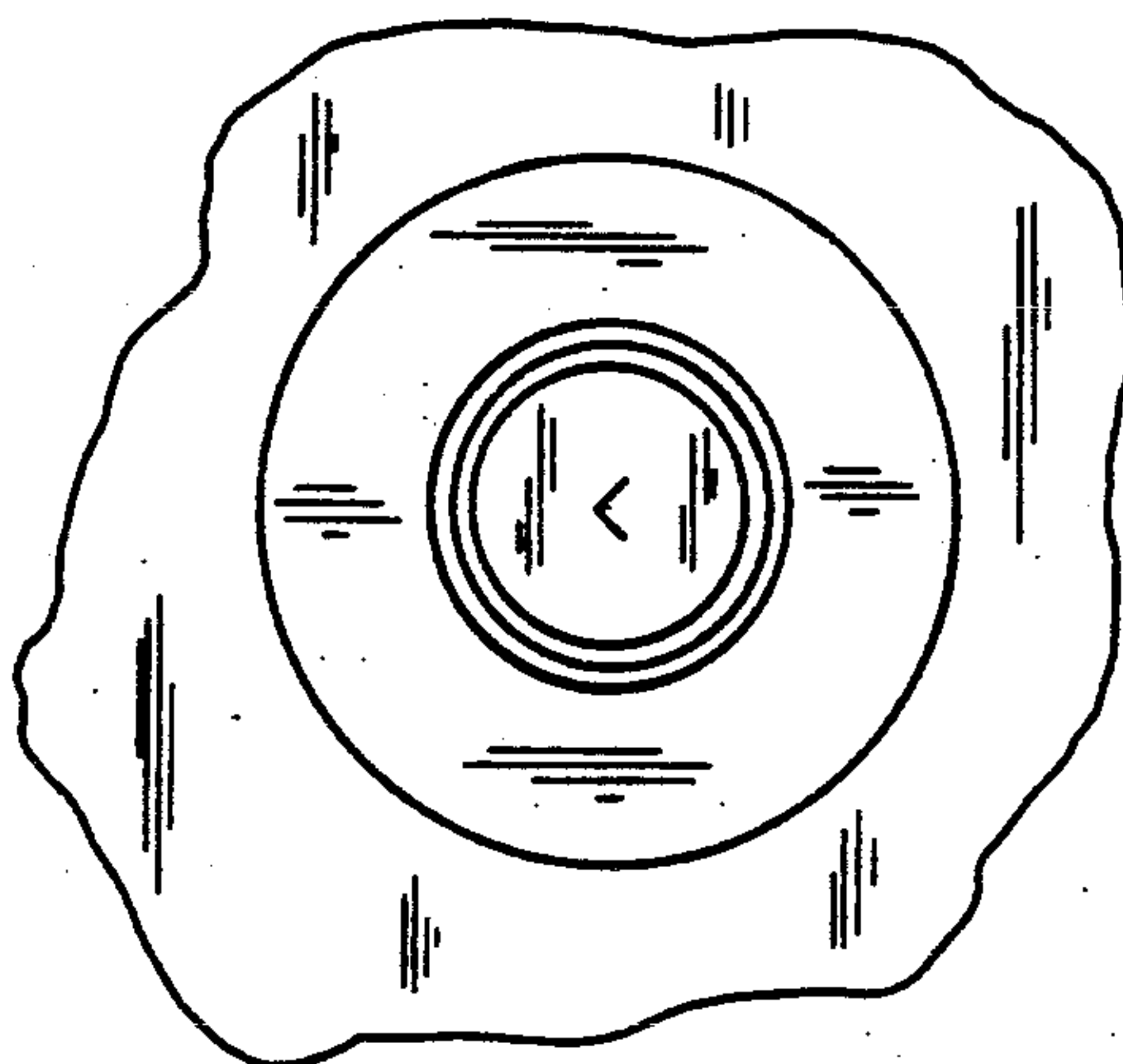
—FIG. 6



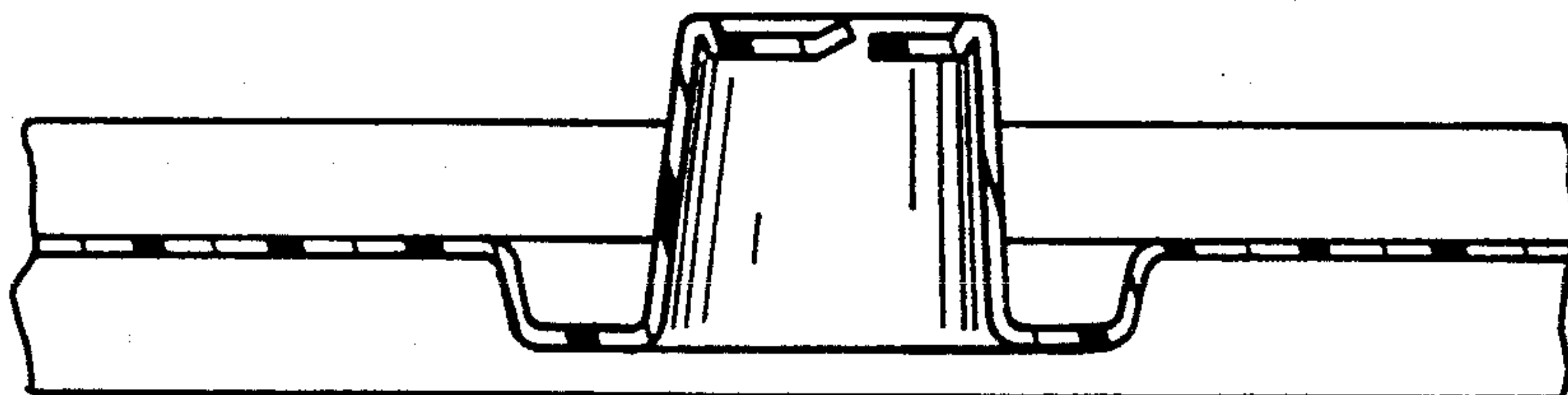
—FIG. 7



—FIG. 8



—FIG. 9



—FIG. 10

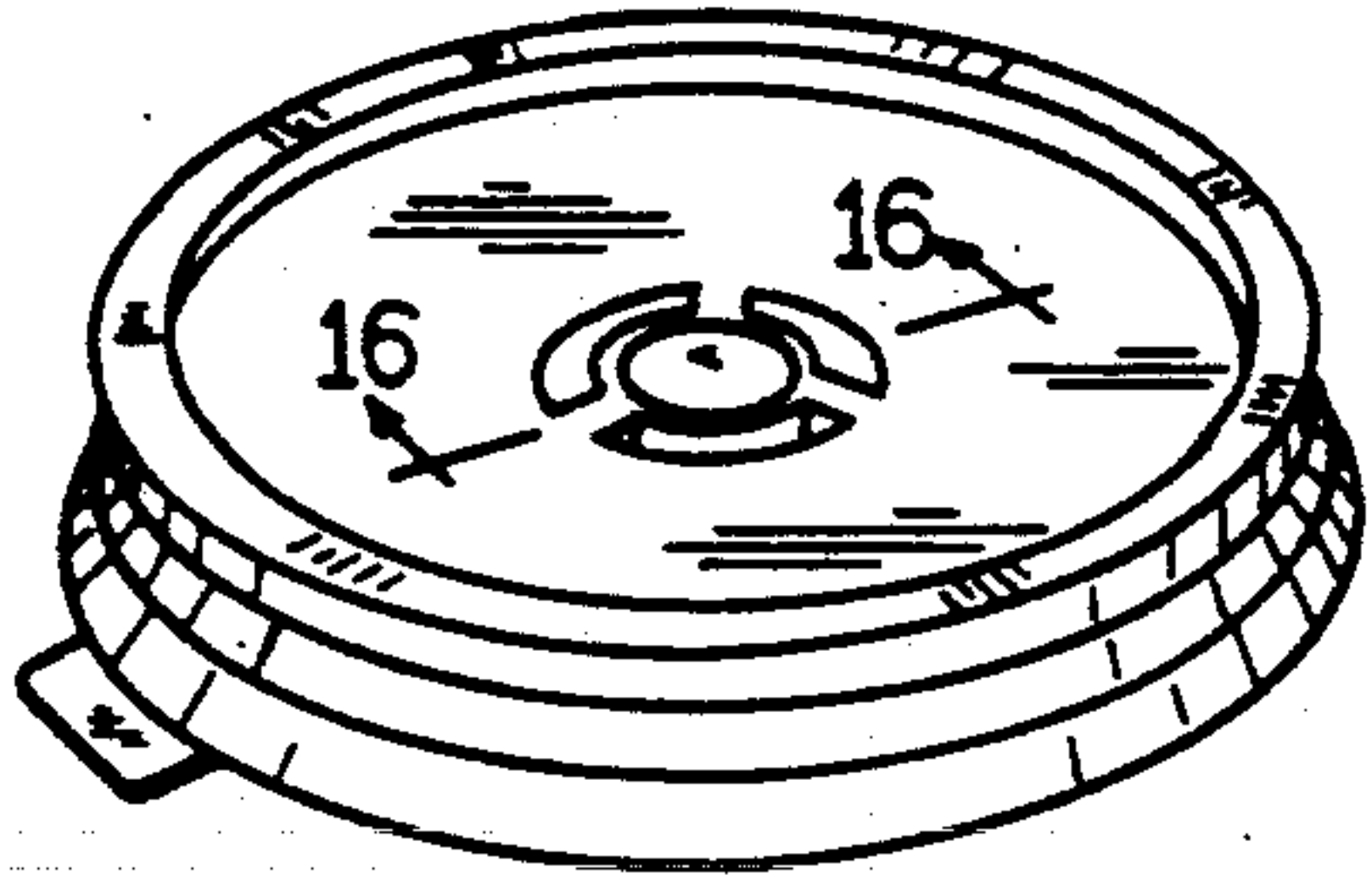


FIG. 11

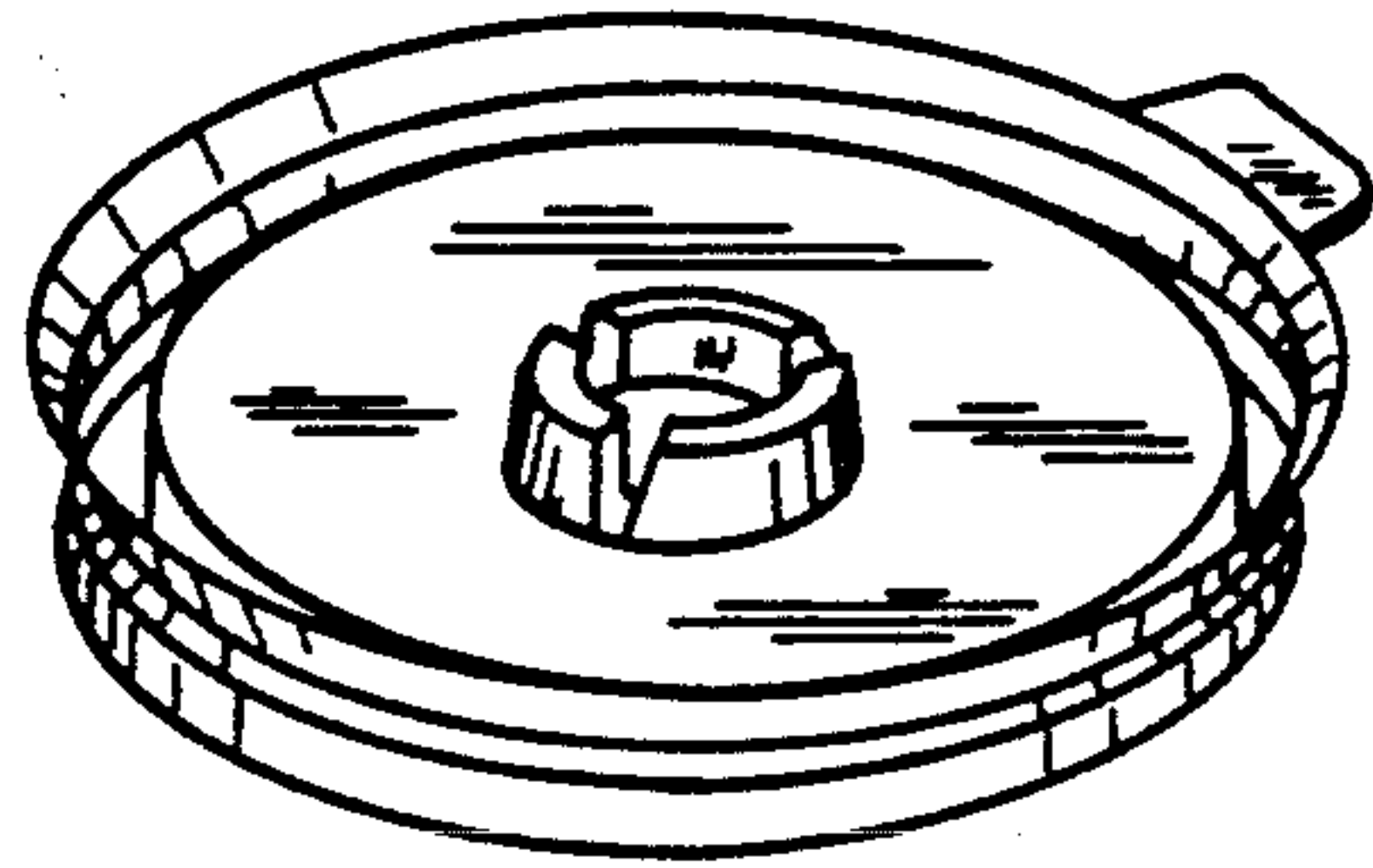


FIG. 12

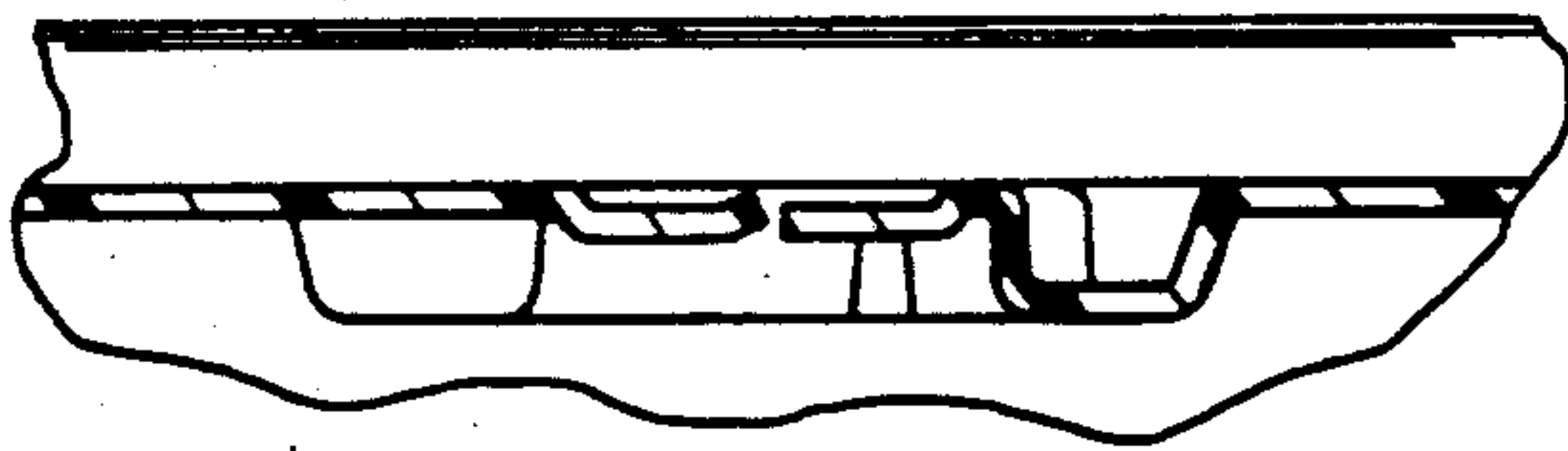


FIG. 16

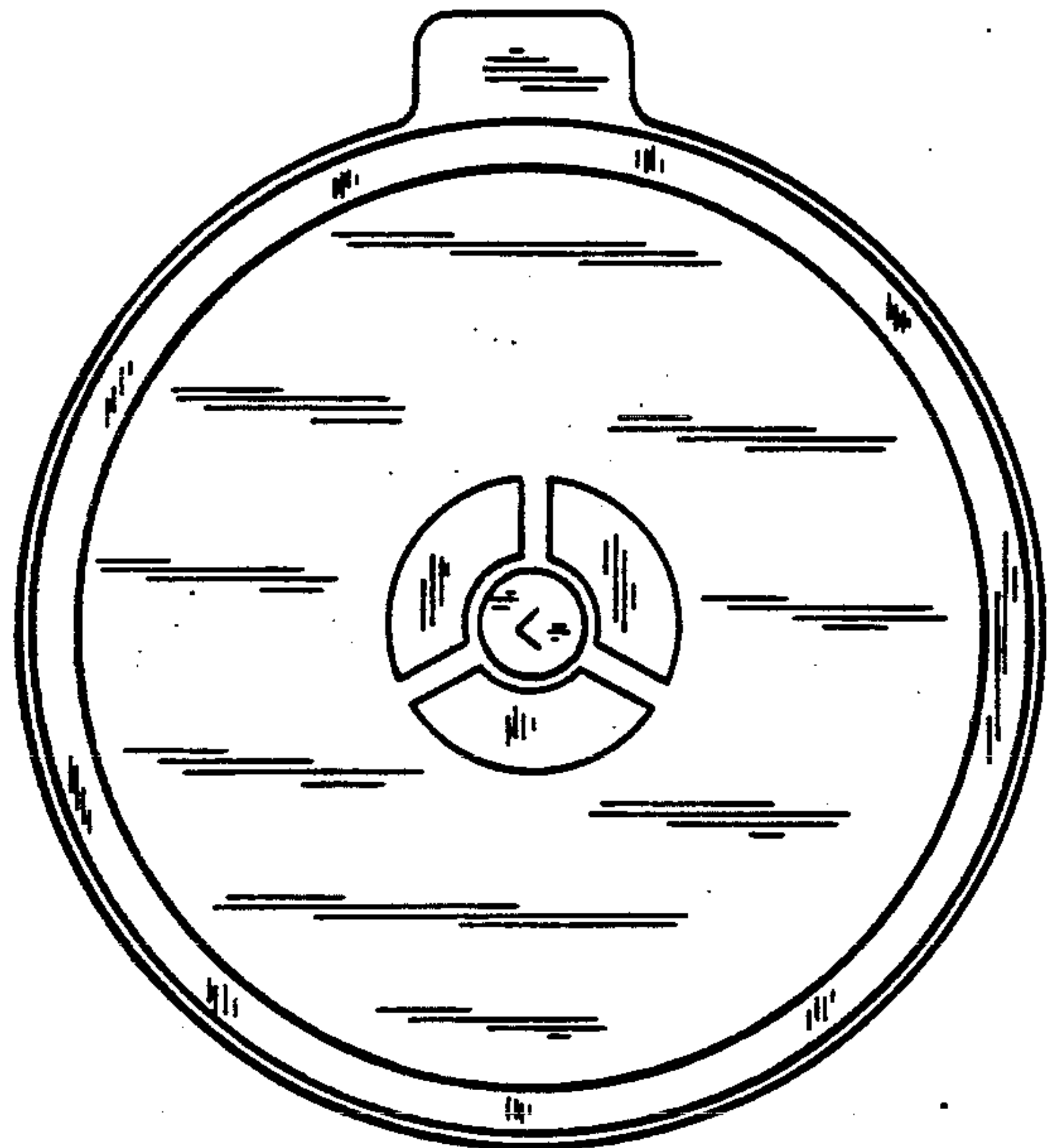


FIG. 13

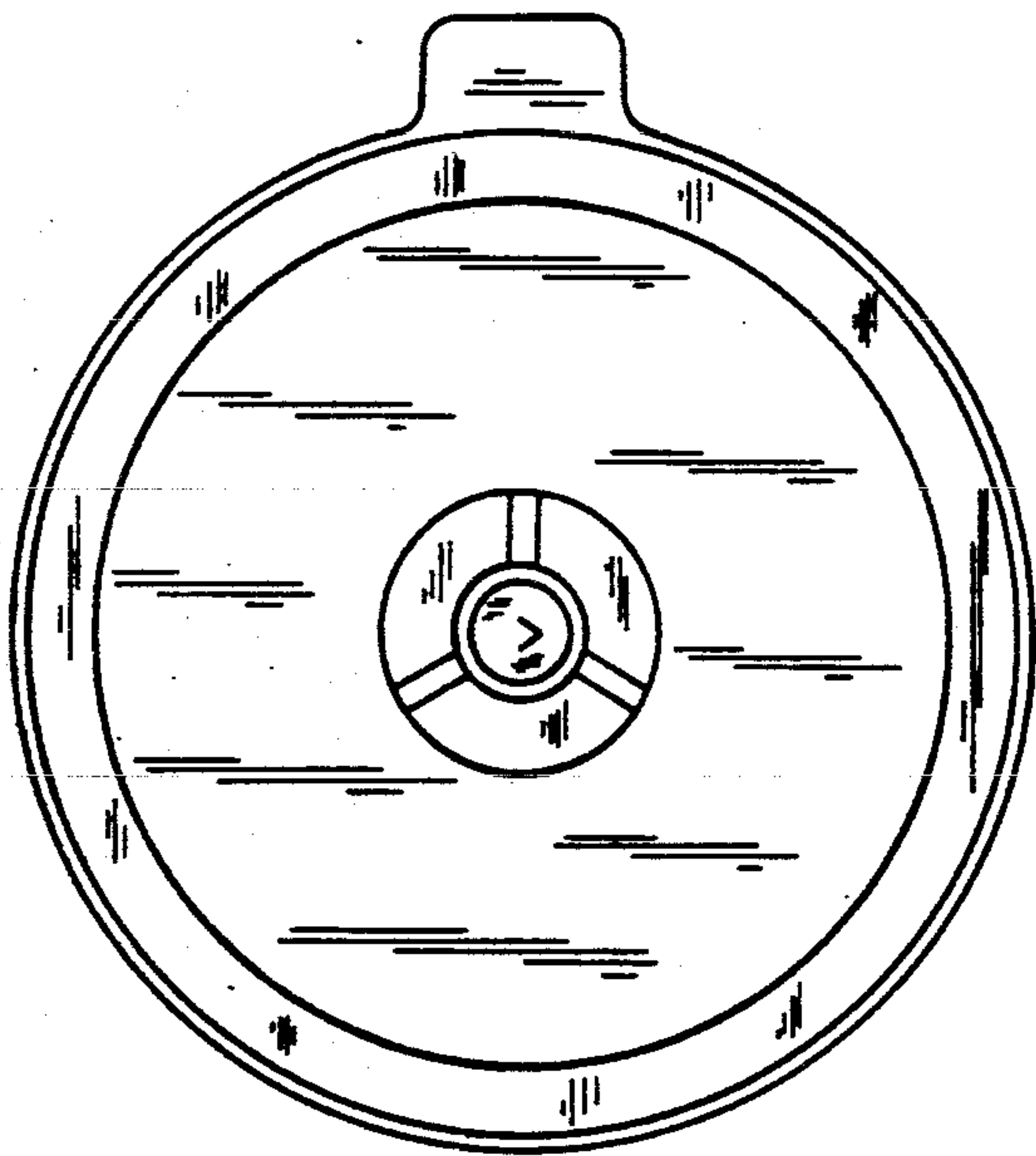


FIG. 15

FIG. 14

