



US00D323103S

United States Patent [19]

[11] Patent Number: **Des. 323,103**

Hilmersson et al.

[45] Date of Patent: **** Jan. 14, 1992**

[54] **LOCKING UNIT FOR HOLDING ELONGATED OBJECTS SUCH AS ROPES, BANDS OR THE LIKE**

Attorney, Agent, or Firm—Wegner, Cantor, Mueller & Player

[76] Inventors: **Bengt Hilmersson**, Madangsgatan 8B, 417 02 Goteborg; **Peter Sundstrom**, Fridkullagatan 17D, 412 62 Goteborg, both of Sweden

[57] **CLAIM**

The ornamental design for a locking unit for holding elongated objects such as ropes, bands or the like, as shown and described.

[**] Term: **14 Years**

DESCRIPTION

[21] Appl. No.: **595,776**

FIG. 1 is a top plan view of a locking unit for holding elongated objects such as ropes, bands or the like showing our new design;

[22] Filed: **Oct. 12, 1990**

FIG. 2 is a top and front perspective view of thereof; FIG. 3 is a top, rear and side perspective view thereof, the opposite side and bottom of the locking unit are understood to be mirror images of the side and top shown;

Related U.S. Application Data

[63] Continuation of Ser. No. 107,307, Oct. 13, 1987, abandoned.

FIG. 4 is a top plan view of a second embodiment of a locking unit for holding elongated objects such as ropes, bands or the like;

[30] **Foreign Application Priority Data**

Apr. 10, 1987 [SE] Sweden 87-0819

FIG. 5 is a top, front and side perspective view of FIG. 4;

[52] U.S. Cl. **D8/356**

[58] Field of Search D8/356, 354, 394, 349, D8/383, 395; 24/129 A, 129 B, 129 R, 130

FIG. 6 is a top, rear and opposite side perspective view of FIG. 4, the undisclosed bottom is a mirror image thereof;

[56] **References Cited**

U.S. PATENT DOCUMENTS

1,870,172	8/1932	Buschhaus	24/129 B
3,296,669	1/1967	Elder, Jr.	24/129 R
3,812,811	5/1974	Rodriguez	24/130
4,222,157	9/1980	Forman	24/129 A

FIG. 7 is a top plan view of a third embodiment of a locking unit for holding elongated objects such as ropes, bands or the like on a reduced scale;

FIG. 8 is a top, front and side perspective view of FIG. 7 on a reduced scale; and

FIG. 9 is a top, rear and opposite side perspective view of FIG. 7 on a reduced scale; the undisclosed bottom is a mirror image thereof.

Primary Examiner—Wallace R. Burke

Assistant Examiner—Melody Brown

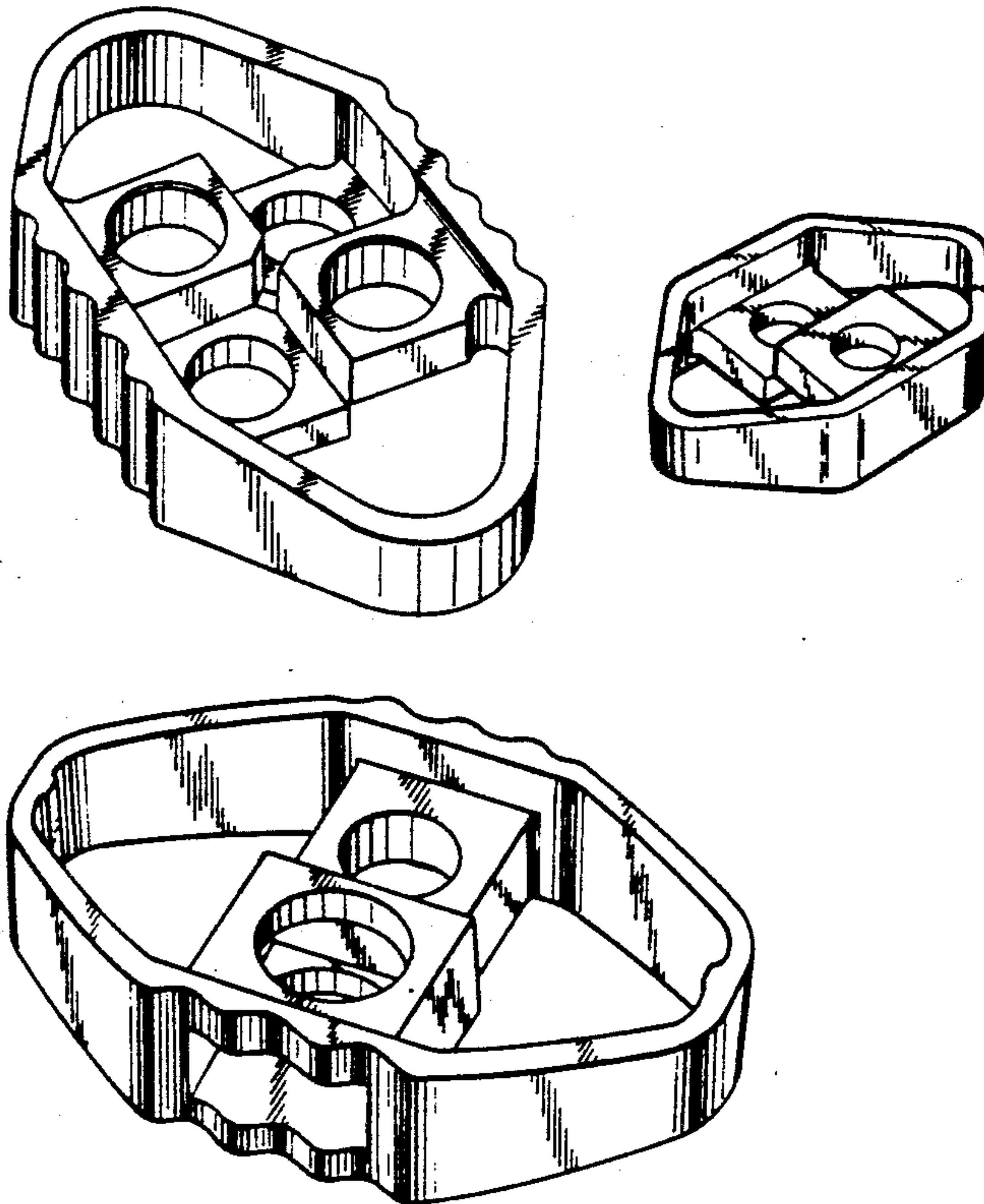


FIG. 1

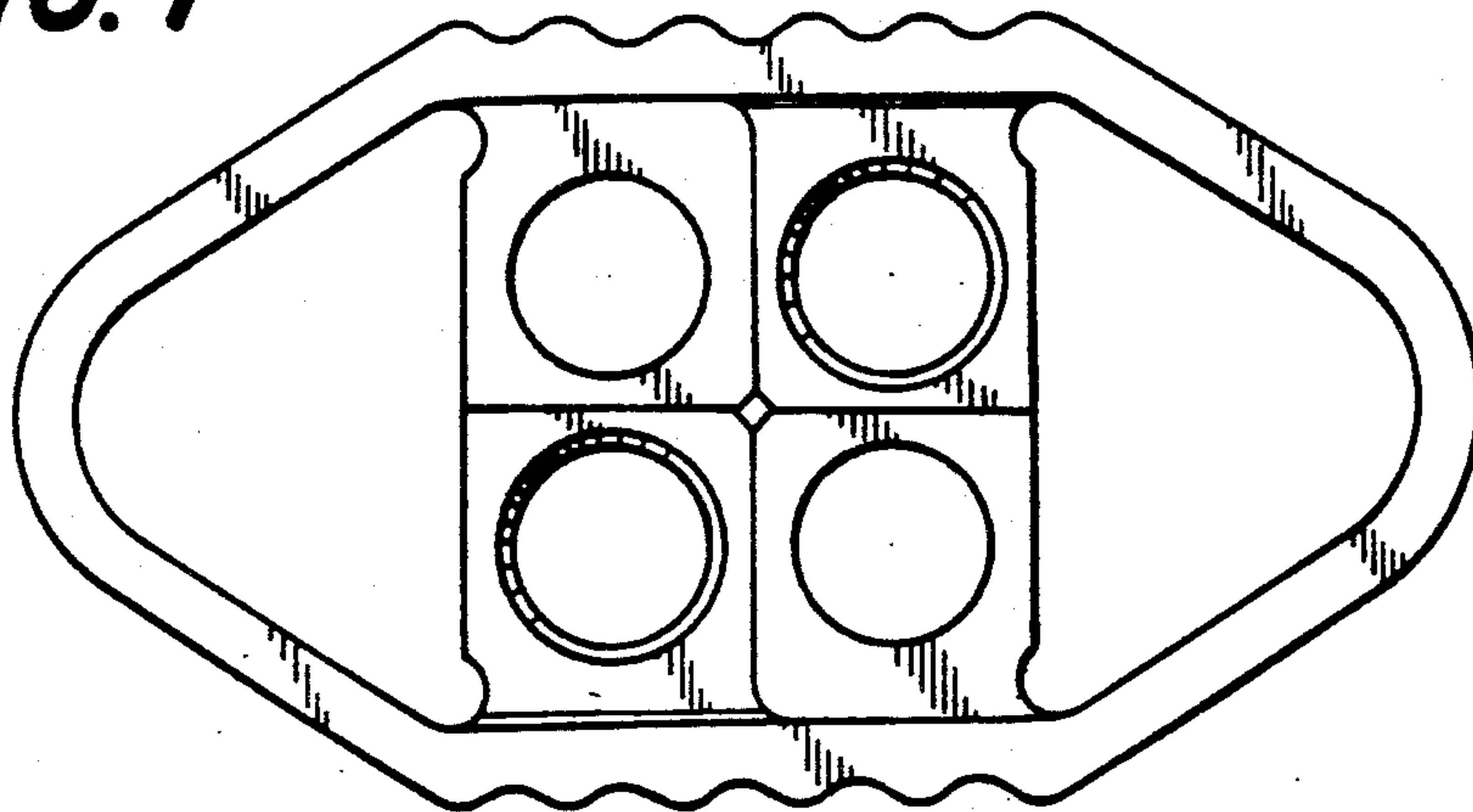


FIG. 2

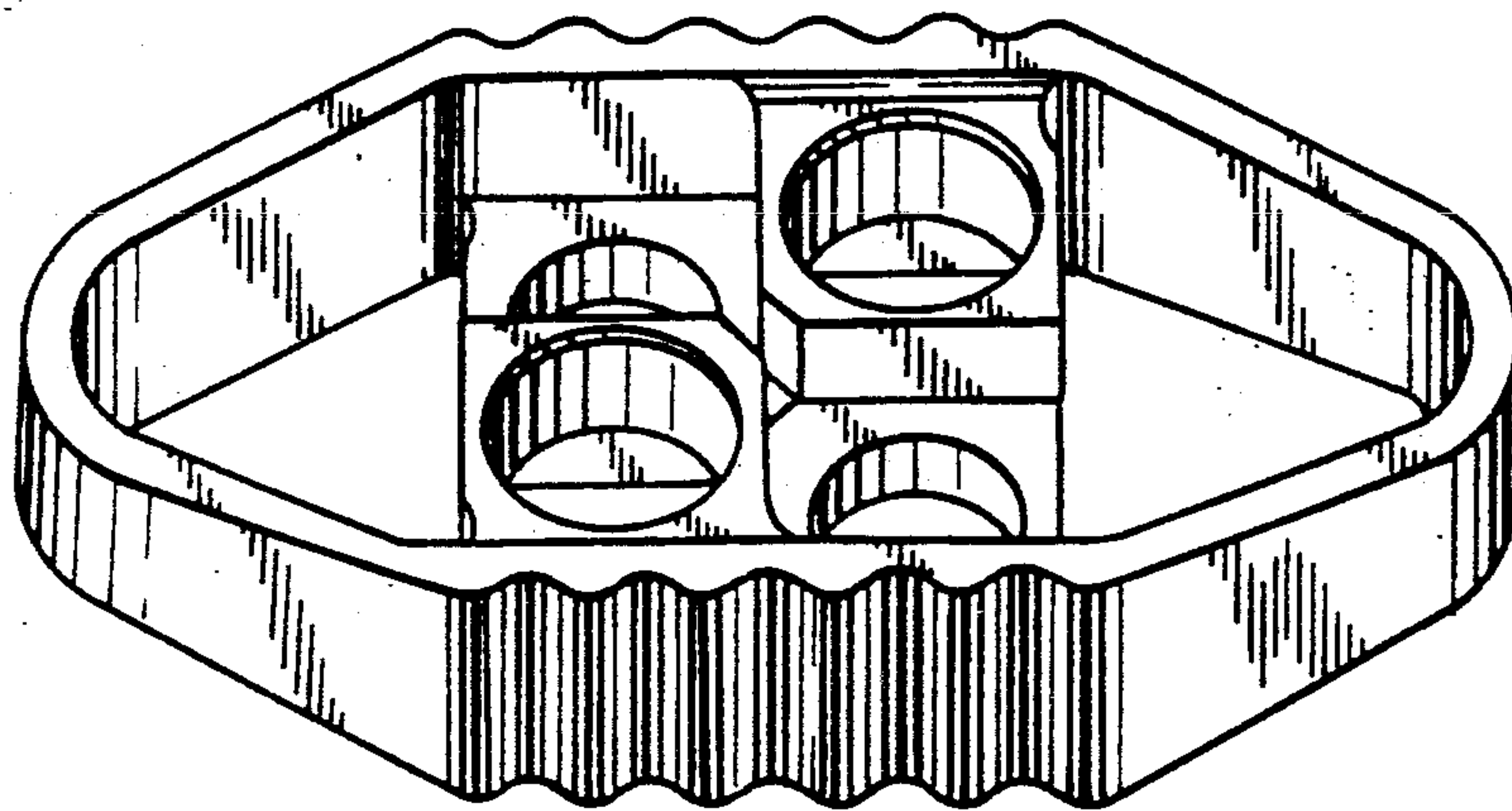


FIG. 3

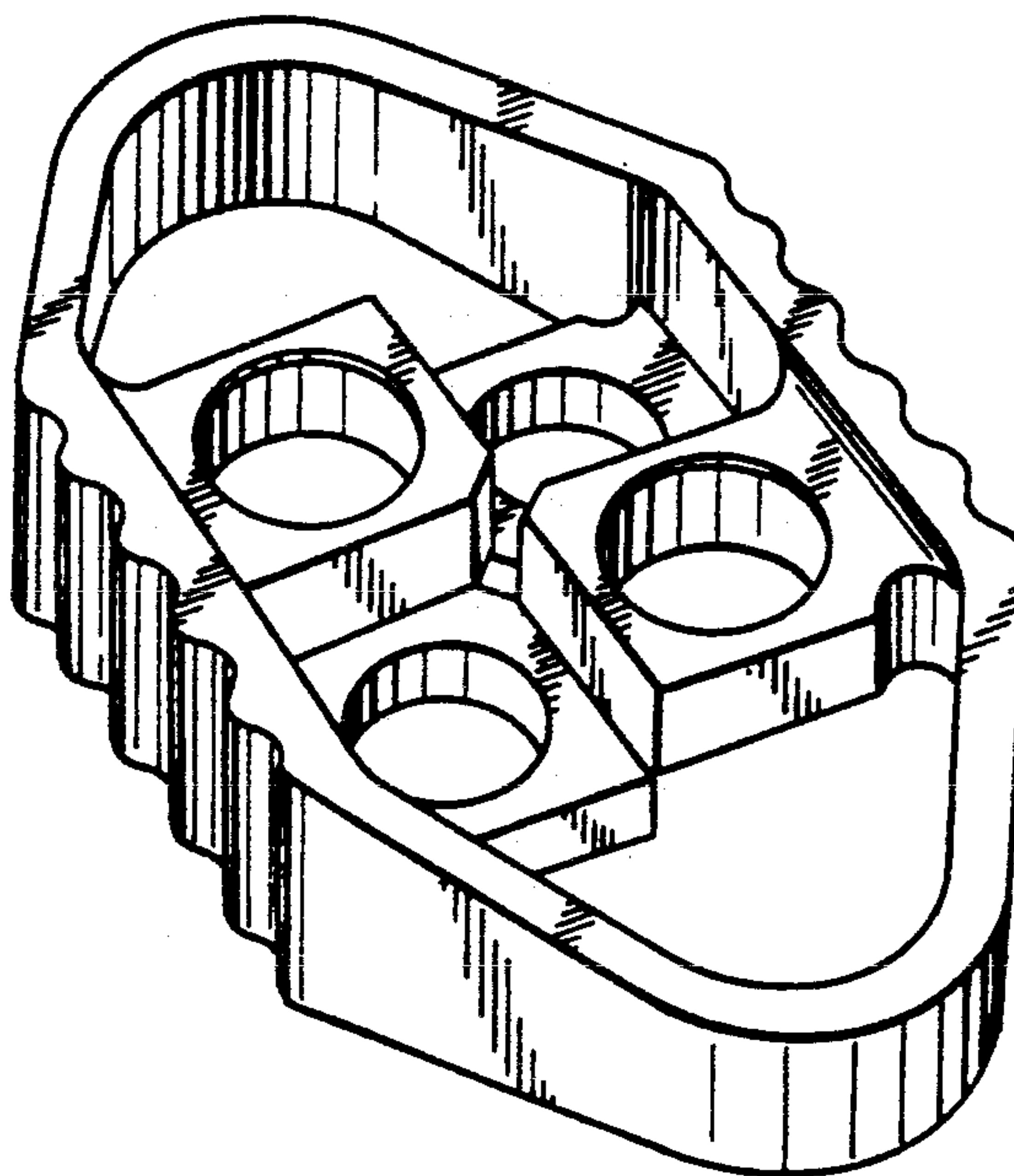


FIG. 4

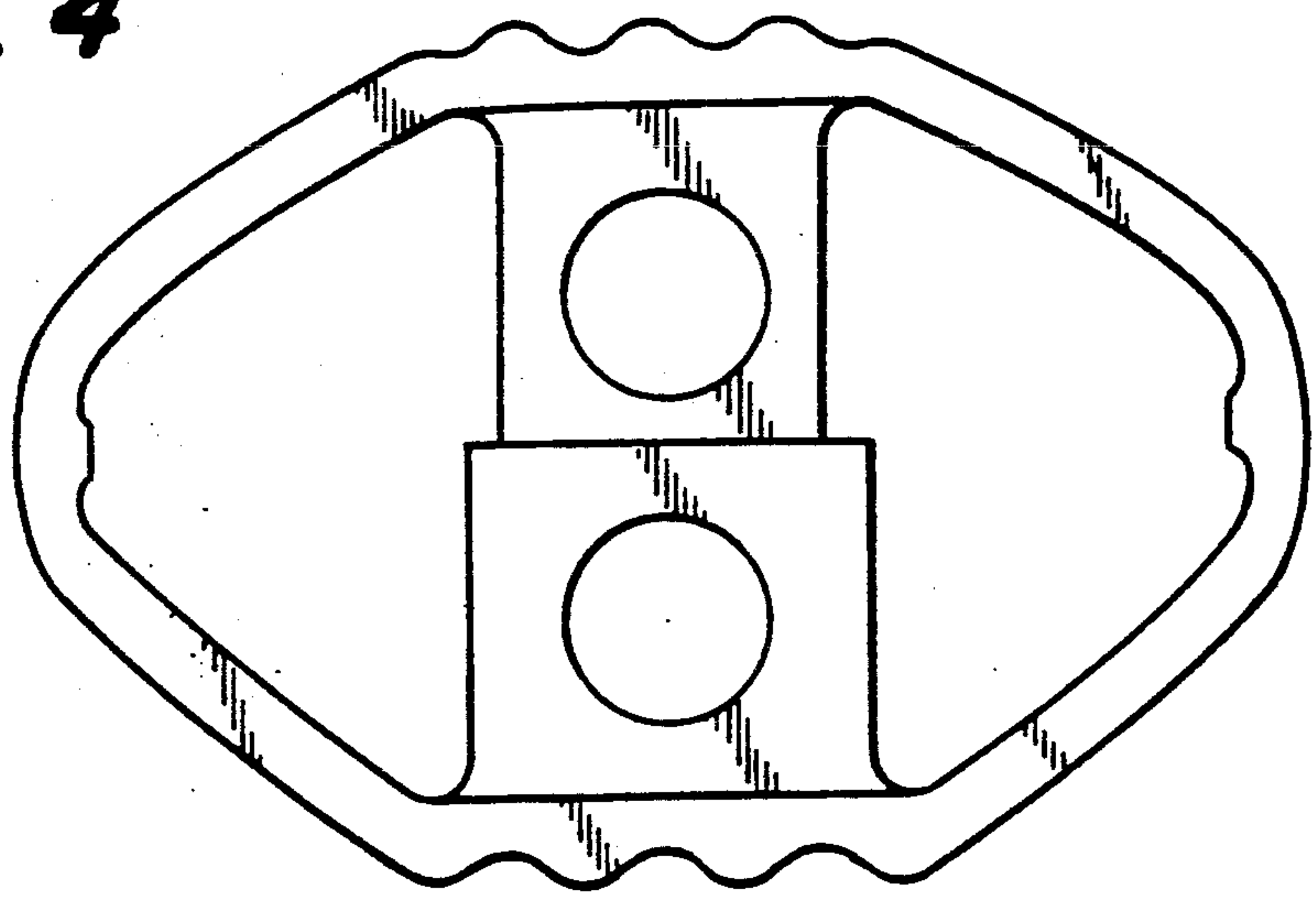


FIG. 5

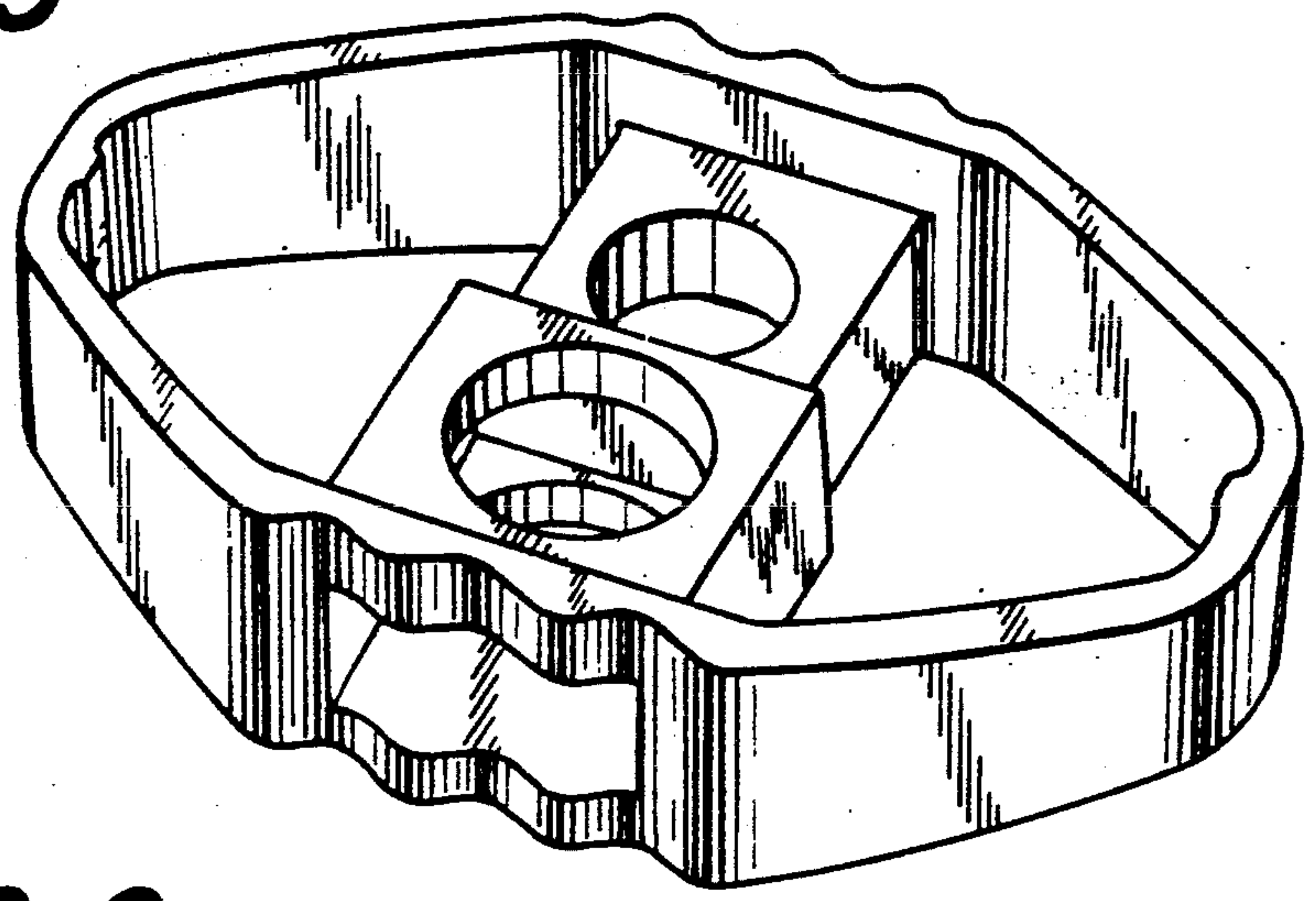


FIG. 6

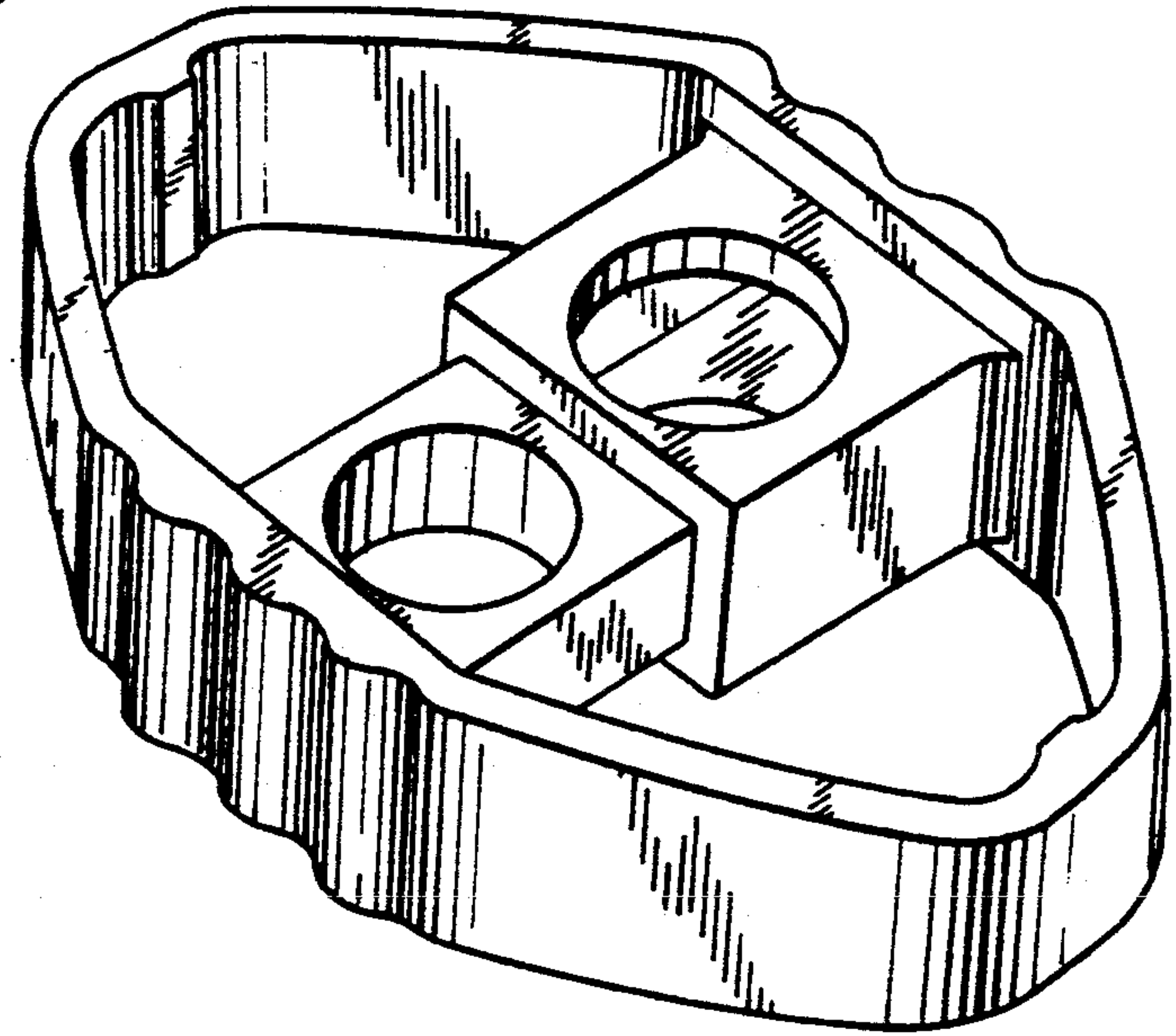


FIG. 7

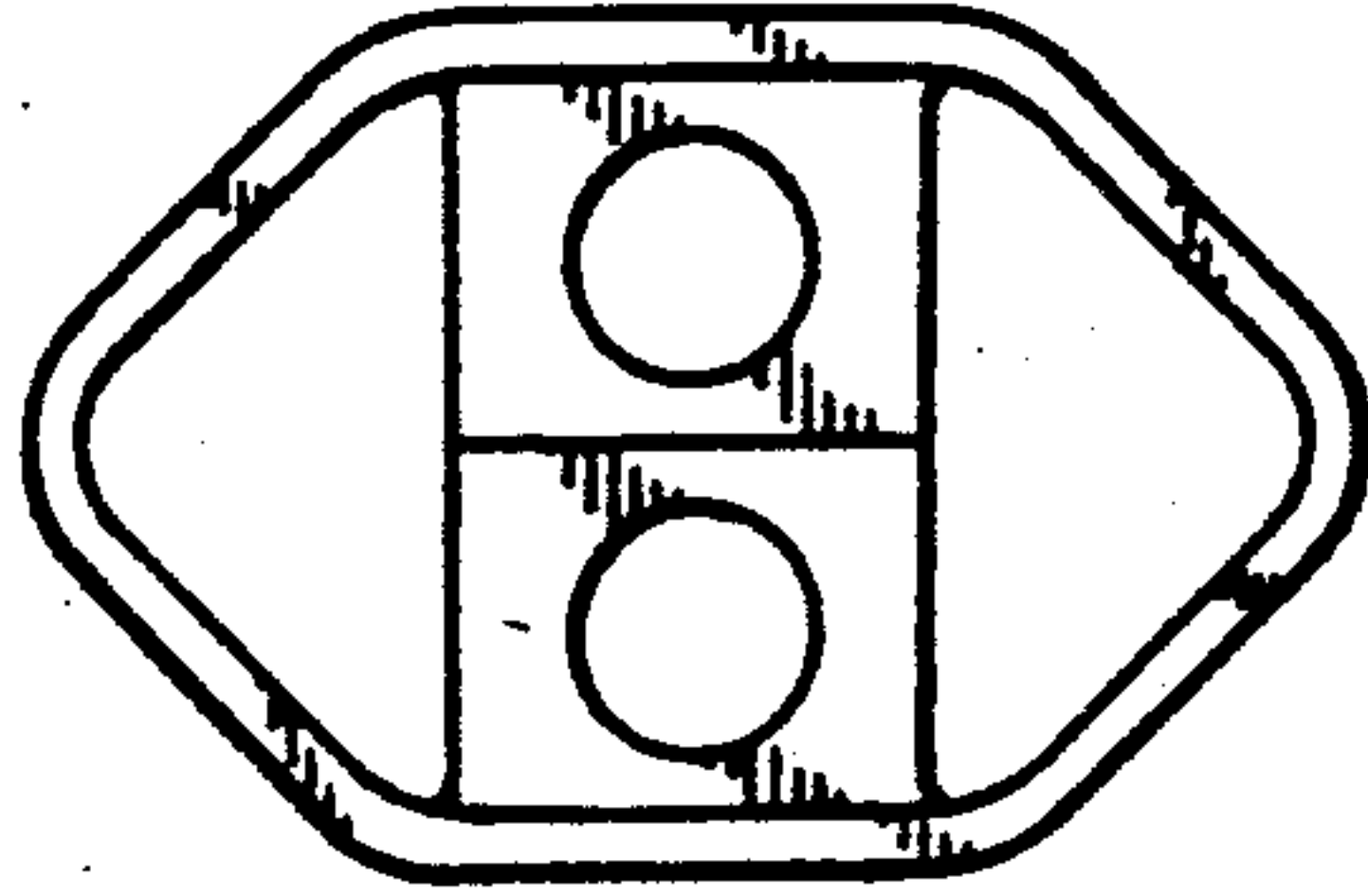


FIG. 8

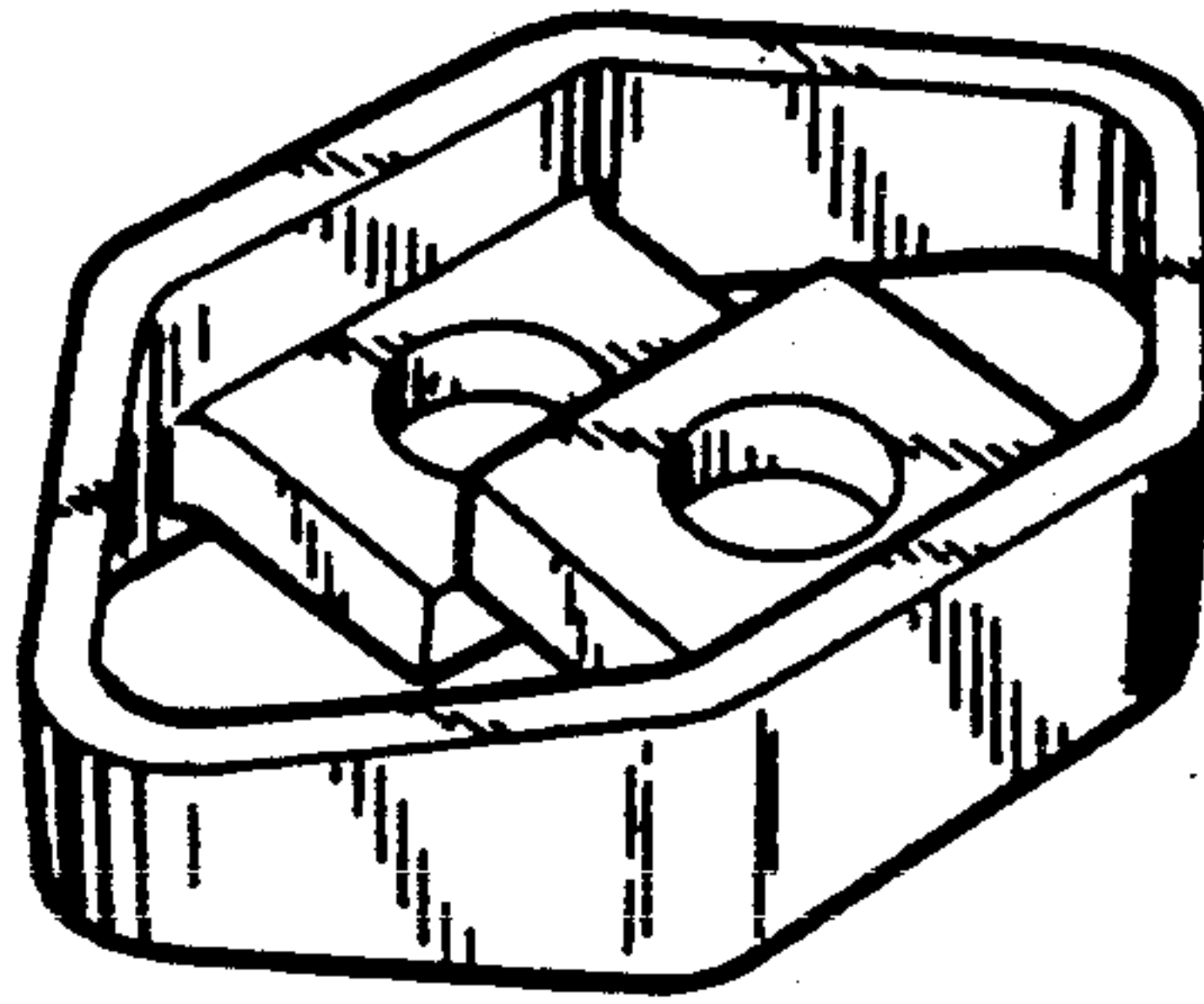


FIG. 9

