



US00D323102S

# United States Patent [19]

**Kipling**

[11] Patent Number: **Des. 323,102**

[45] Date of Patent: **\*\* Jan. 14, 1992**

[54] **LOCK BODY FOR A RESTRAINING STRAP ASSEMBLY**

[76] Inventor: **Robert J. Kipling**, Site 6  
Compartment 35, R.R. 4, William's Lake, British Columbia, Canada, V2G 4M8

[\*\*] Term: **14 Years**

[21] Appl. No.: **405,007**

[22] Filed: **Sep. 8, 1989**

[52] U.S. Cl. .... **D8/331; D8/343; D8/344**

[58] Field of Search ..... **D8/330-331, D8/343-344, 346; 292/307 R, 307 B, 317-320, 325**

[56] **References Cited**

**U.S. PATENT DOCUMENTS**

- D. 295,719 5/1988 DeLuca et al. .... D8/331
- D. 295,720 5/1988 DeLuca et al. .... D8/331
- 3,606,427 9/1971 O'Loughlin ..... 292/307 R

4,878,702 11/1989 Madsen et al. .... 292/307 R

*Primary Examiner*—Brian N. Vinson  
*Attorney, Agent, or Firm*—Bauer & Schaffer

[57] **CLAIM**

The ornamental design for a lock body for a restraining strap assembly, as shown and described.

**DESCRIPTION**

FIG. 1 is a top, front, and left side perspective view of a lock body for a restraining strap assembly showing my new design, the broken-line depiction of the restraining strap being for illustrative purposes only and forming no part of the claimed design;

FIG. 2 is a top plan view thereof;

FIG. 3 is a bottom plan view thereof;

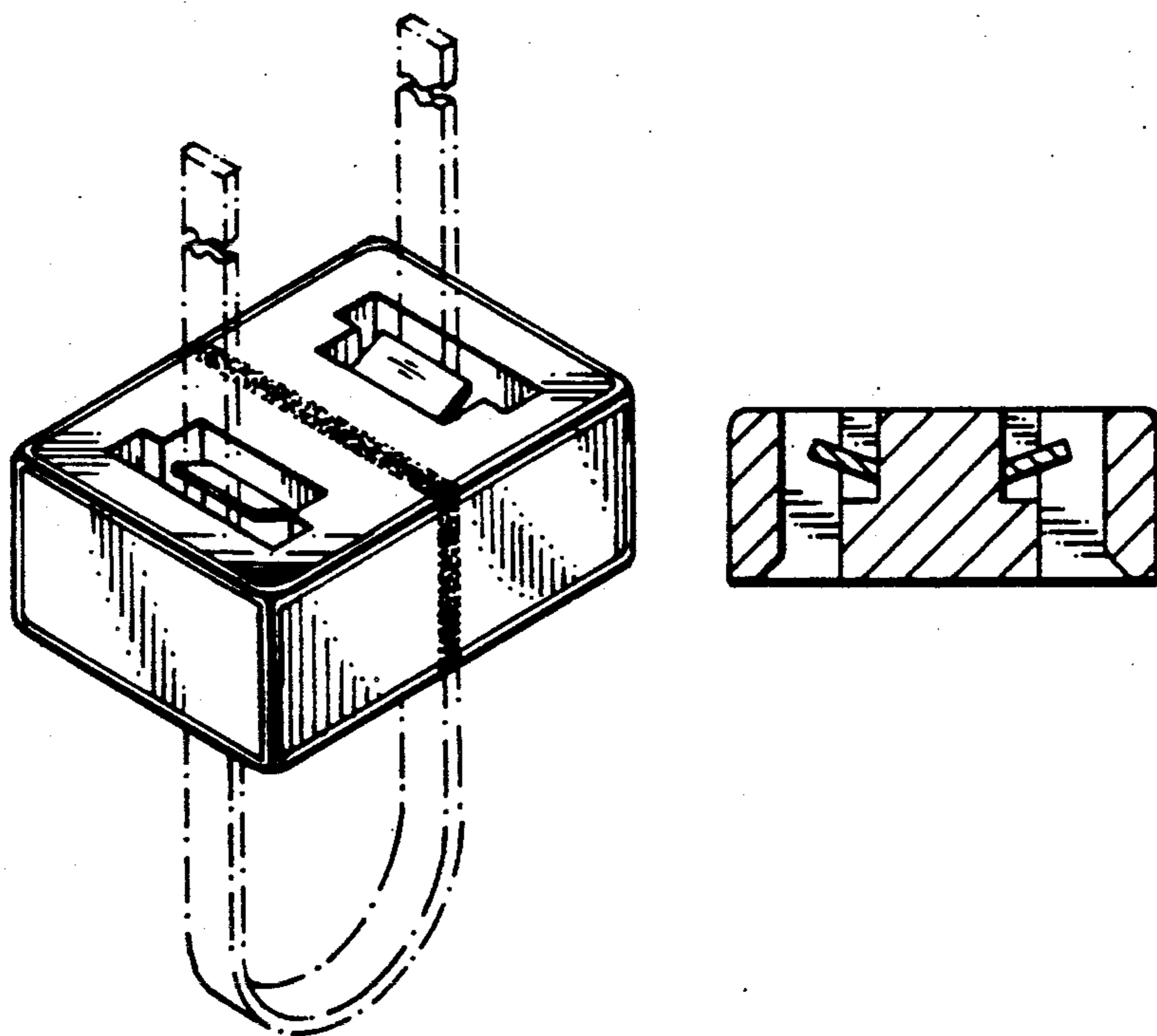
FIG. 4 is a front elevational view thereof;

FIG. 5 is a rear elevational view thereof;

FIG. 6 is a left side elevational view thereof;

FIG. 7 is a right side elevational view thereof; and

FIG. 8 is a vertical cross-sectional view thereof, taken along line 8—8 of FIG. 2.



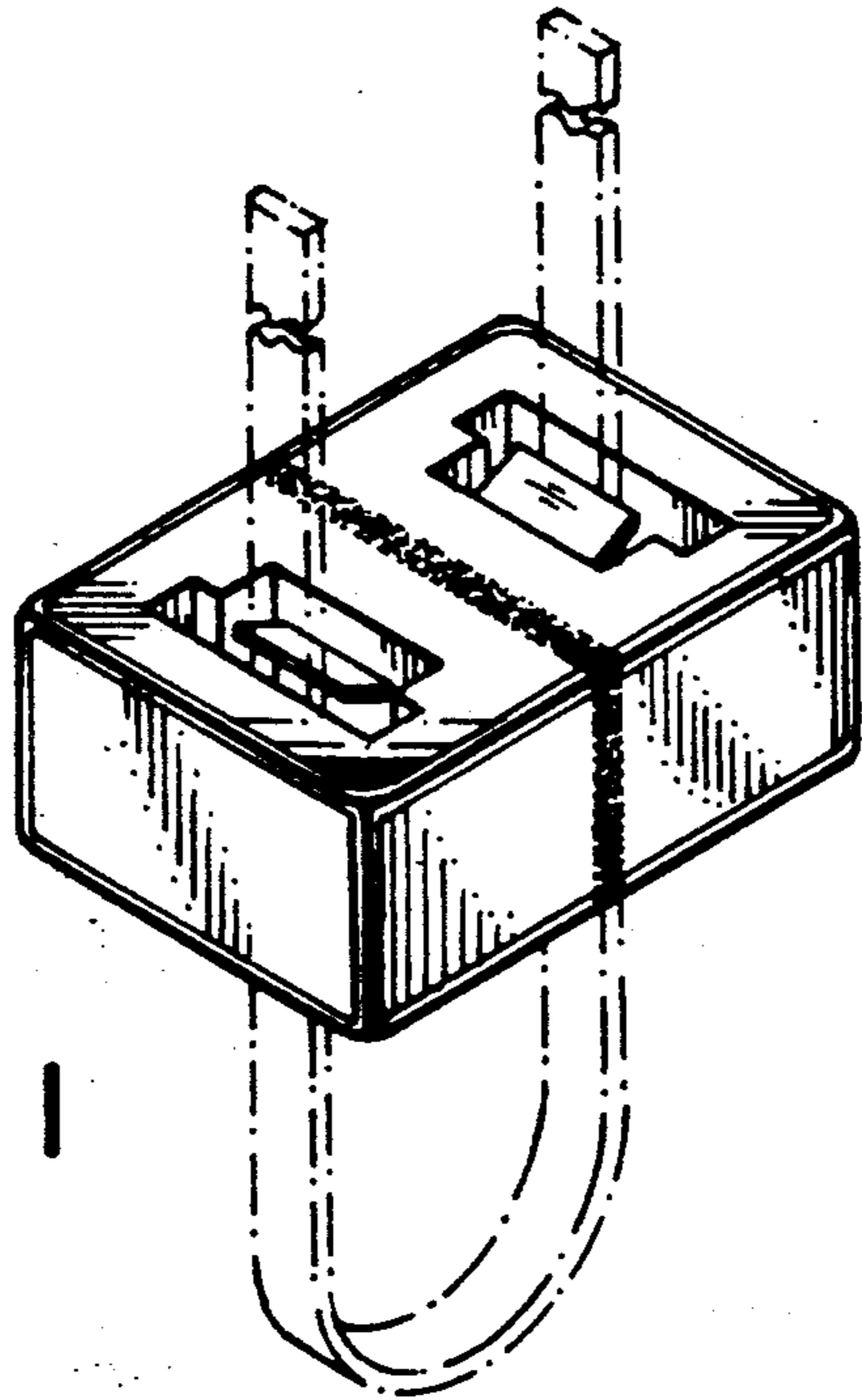


FIG. 1

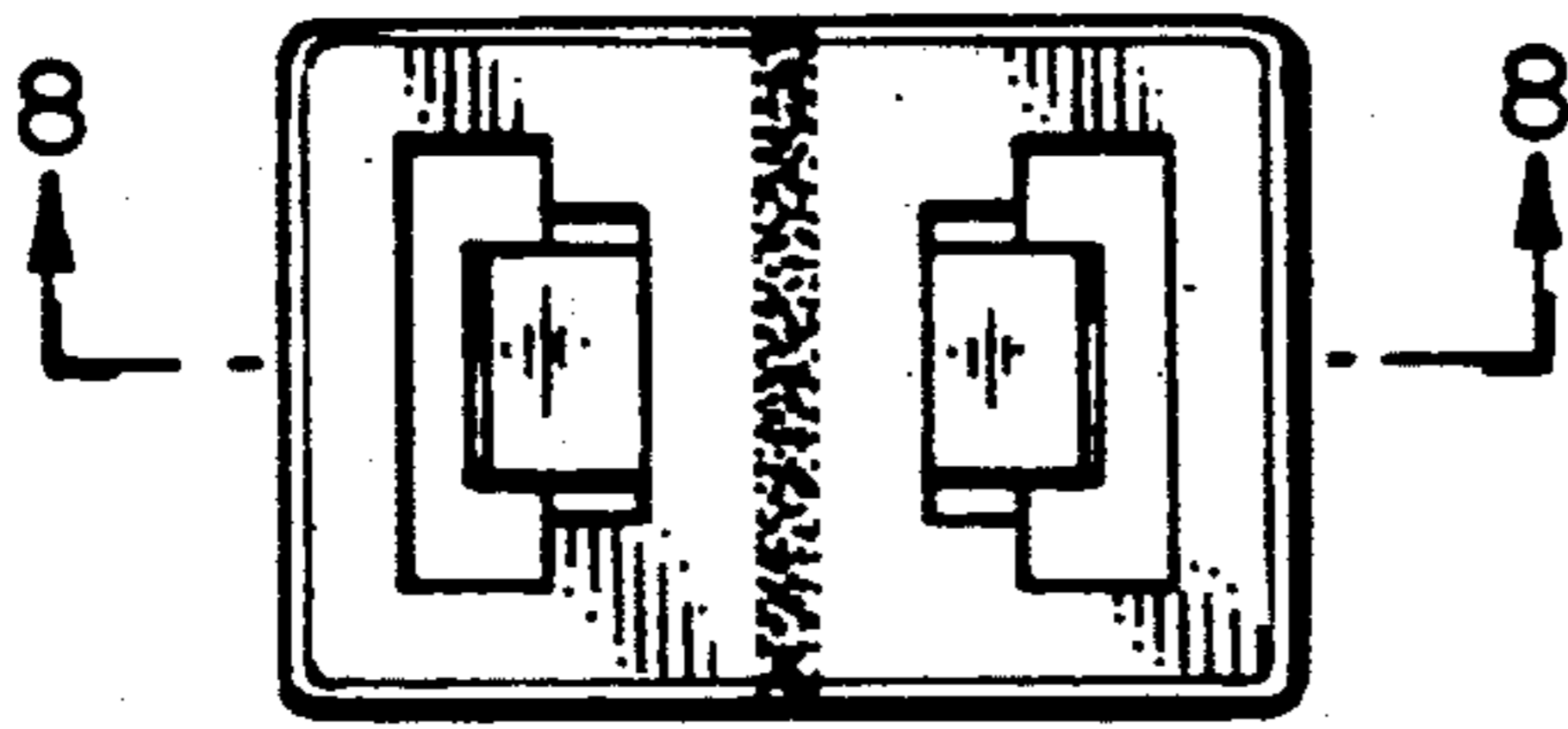


FIG. 2

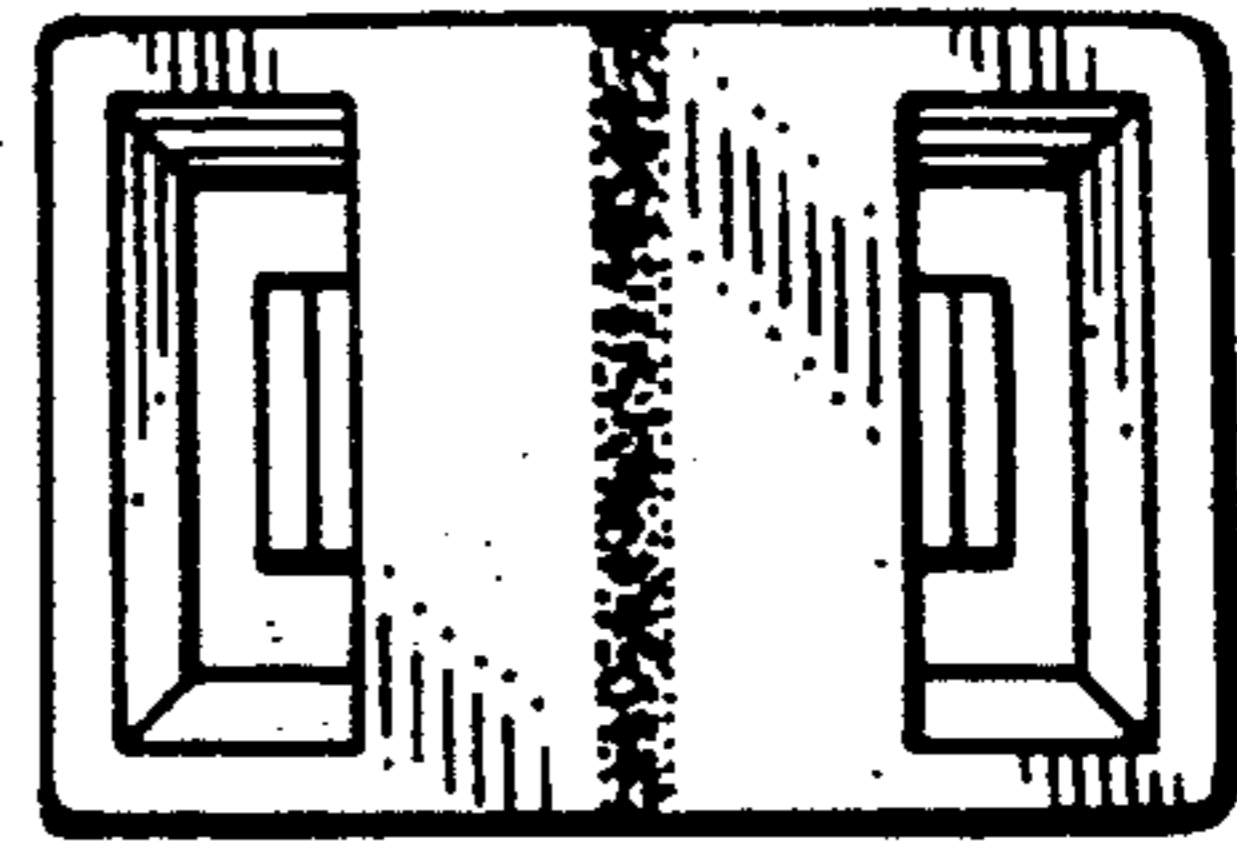


FIG. 3



FIG. 4

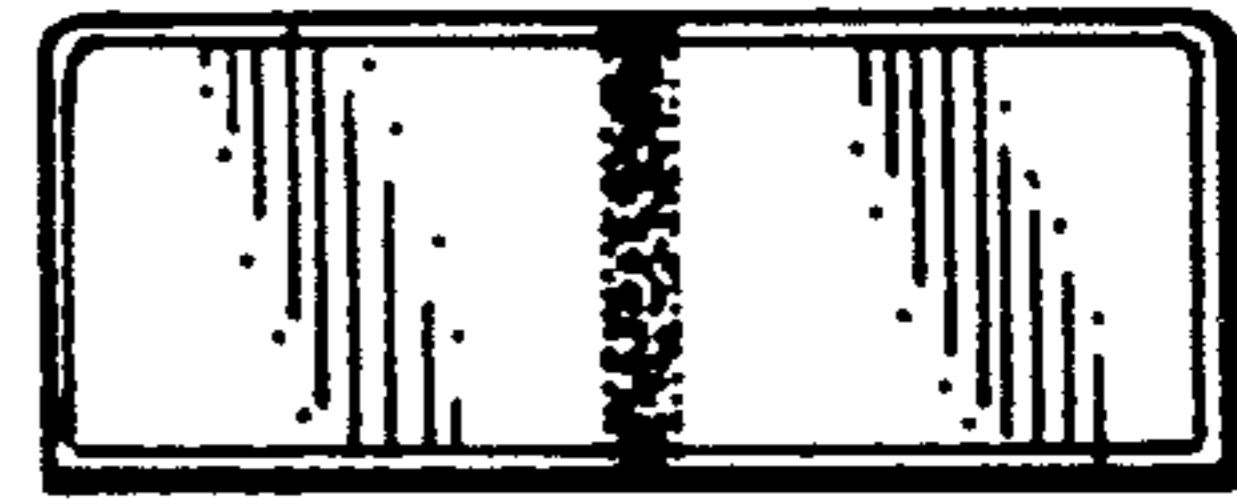


FIG. 5



FIG. 6



FIG. 7

FIG. 8

