



US00D323100S

United States Patent [19]

[11] Patent Number: **Des. 323,100**

Pastore

[45] Date of Patent: **** Jan. 14, 1992**

[54] **GROUT SAW**

3,591,989	7/1971	Granlie	51/268
4,060,940	12/1977	DeWitt	51/268
4,854,087	8/1989	Riha	51/272
4,891,915	1/1990	Yasuda	D8/62 X

[76] Inventor: **Anthony C. Pastore**, 10523 Horizons Dr., Spring Hill, Fla. 34608

[**] Term: **14 Years**

Primary Examiner—Nelson C. Holtje
Assistant Examiner—J. H. Musgrove
Attorney, Agent, or Firm—Herbert W. Larson

[21] Appl. No.: **380,072**

[22] Filed: **Jul. 13, 1989**

[52] U.S. Cl. **D8/70; D8/62**

[58] Field of Search **D8/70; 51/268, 269, 51/170 R, 170 PT, 241 R, 272, 258, 259**

[57] **CLAIM**

The ornamental design for a grout saw, as shown and described.

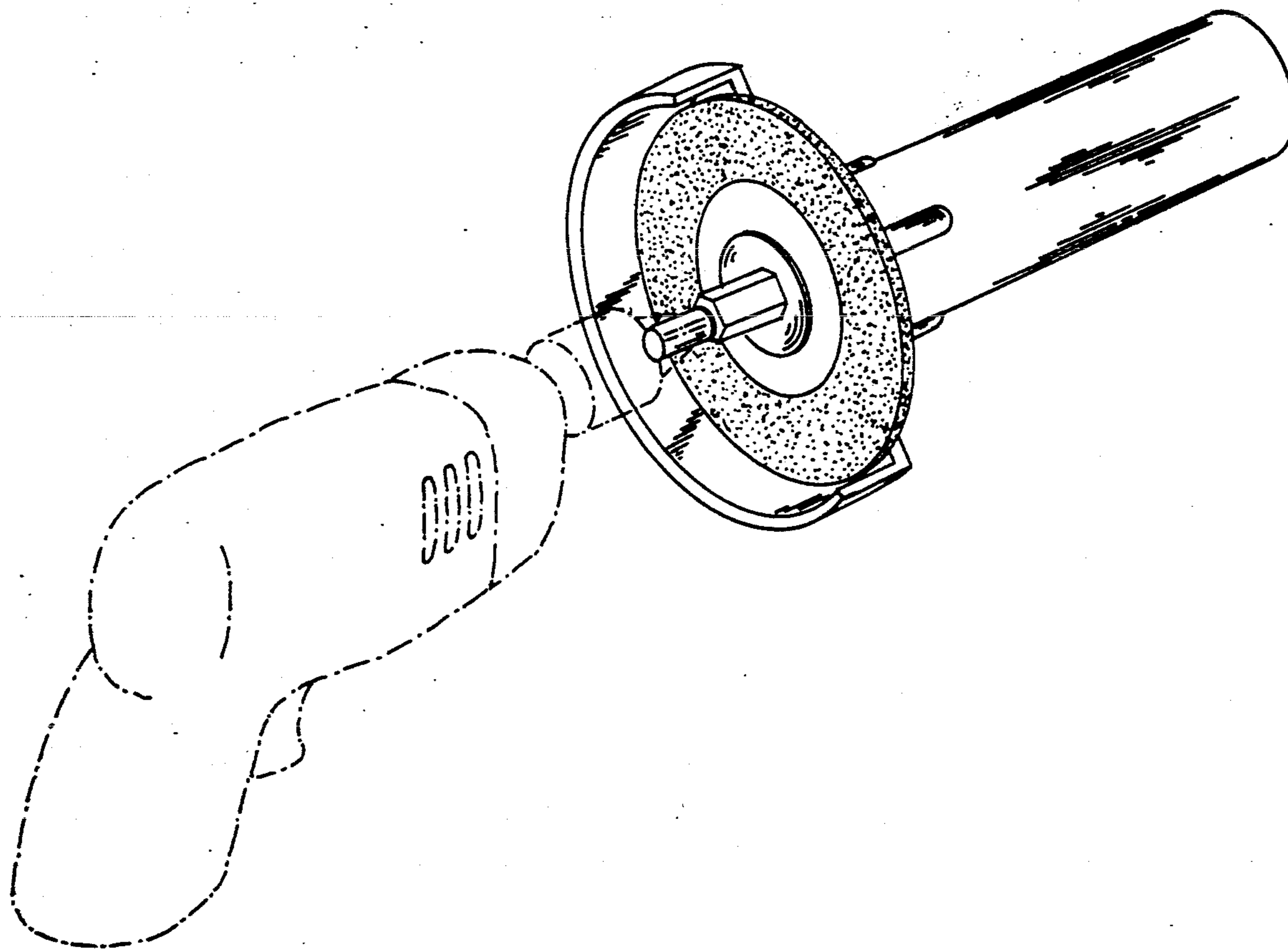
[56] **References Cited**

DESCRIPTION

U.S. PATENT DOCUMENTS

D. 159,723	8/1950	Glade	D8/70
D. 180,437	6/1957	Burleigh	D8/62
D. 255,417	6/1980	Sakamoto et al.	D8/62
D. 288,768	3/1987	Karden et al.	D8/62
D. 295,824	5/1988	Hoshino et al.	D8/62
D. 305,399	1/1990	Fushiya et al.	D8/62

FIG. 1 is a front elevational view of a grout saw showing my new design;
FIG. 2 is a left side elevational view;
FIG. 3 is a right elevational view;
FIG. 4 is a bottom plan view; and
FIG. 5 is a bottom perspective view, the broken lines are for illustrative purposes only and form no part of the claimed design.



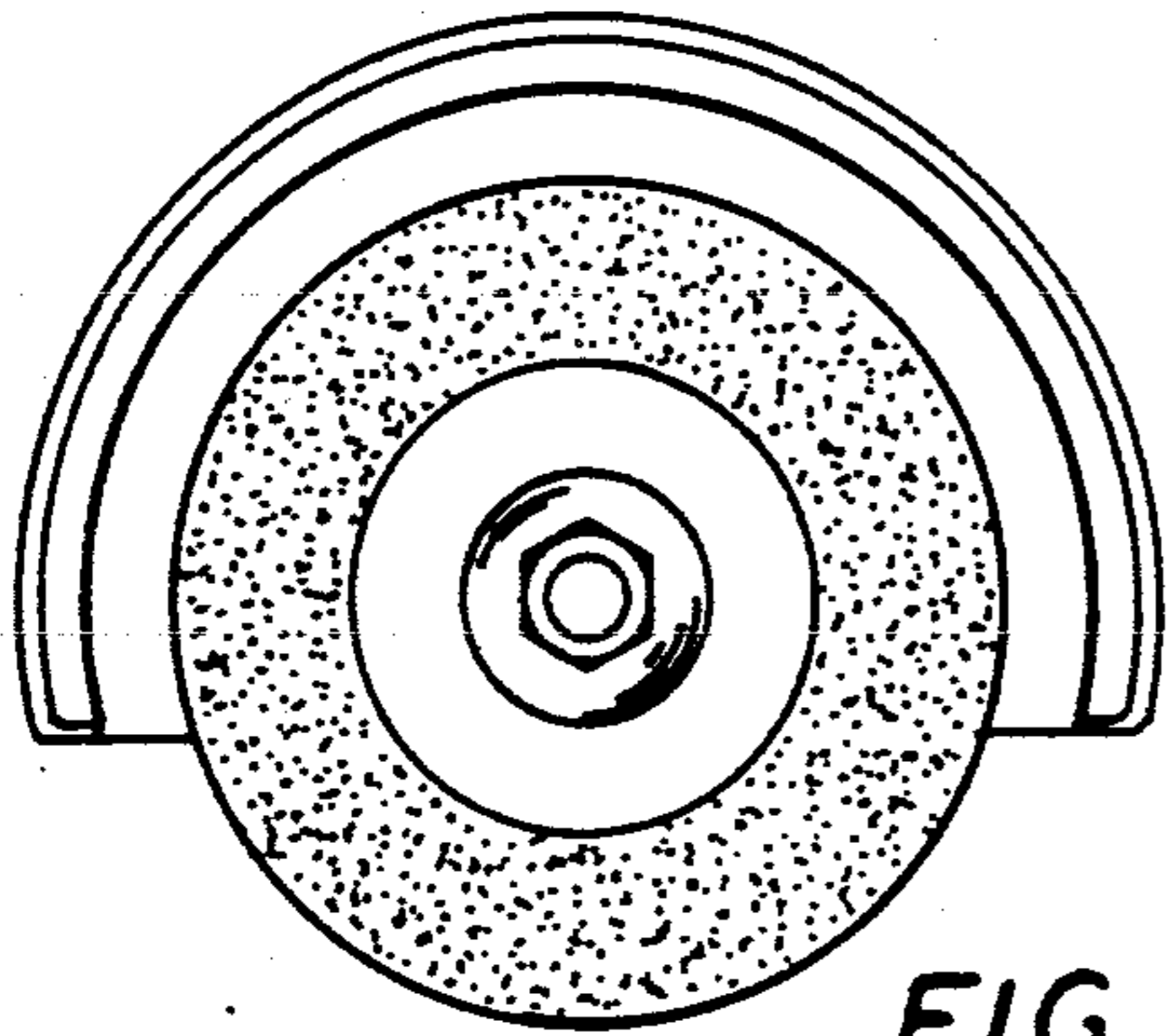


FIG. 2

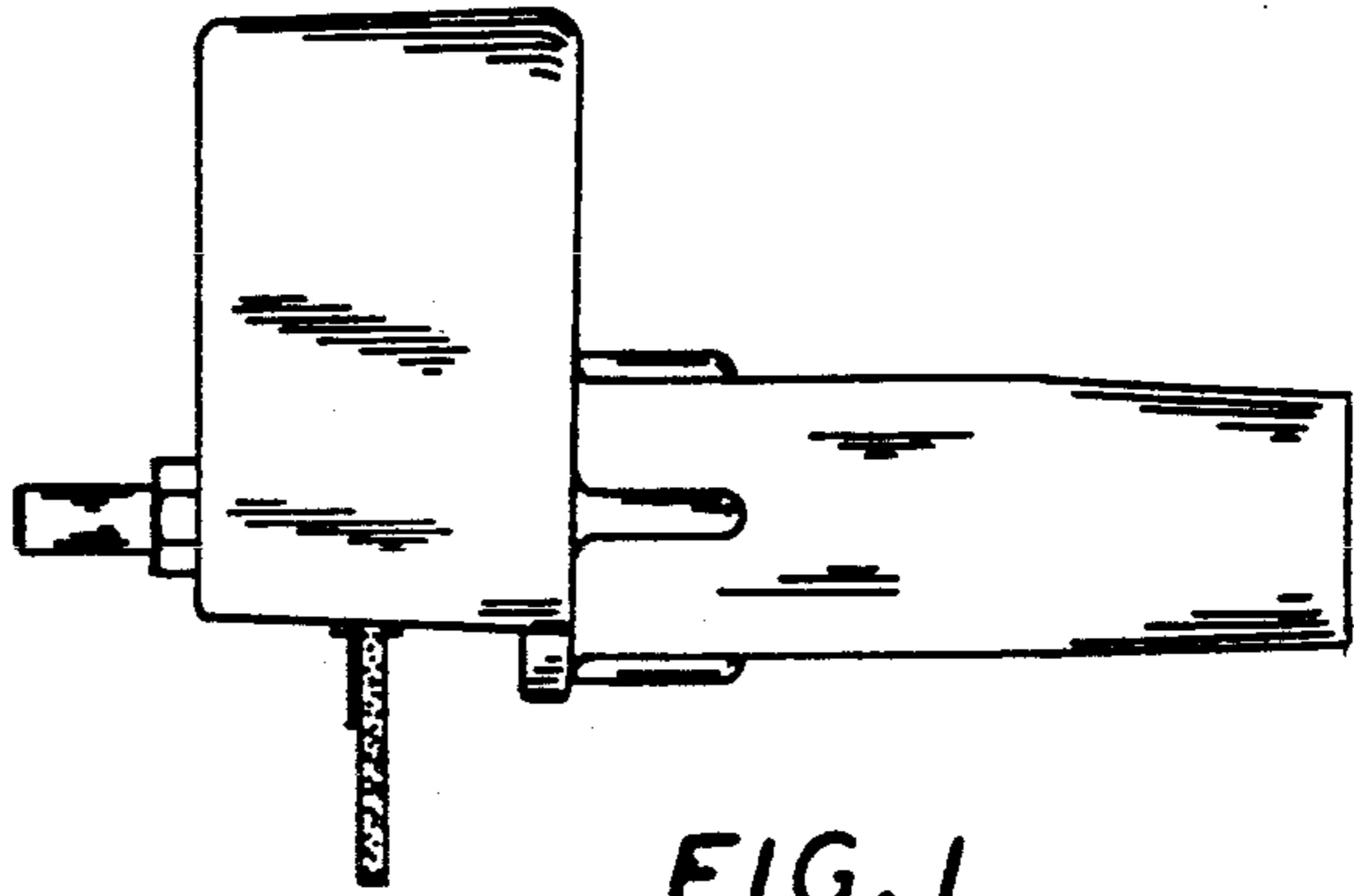


FIG. 1

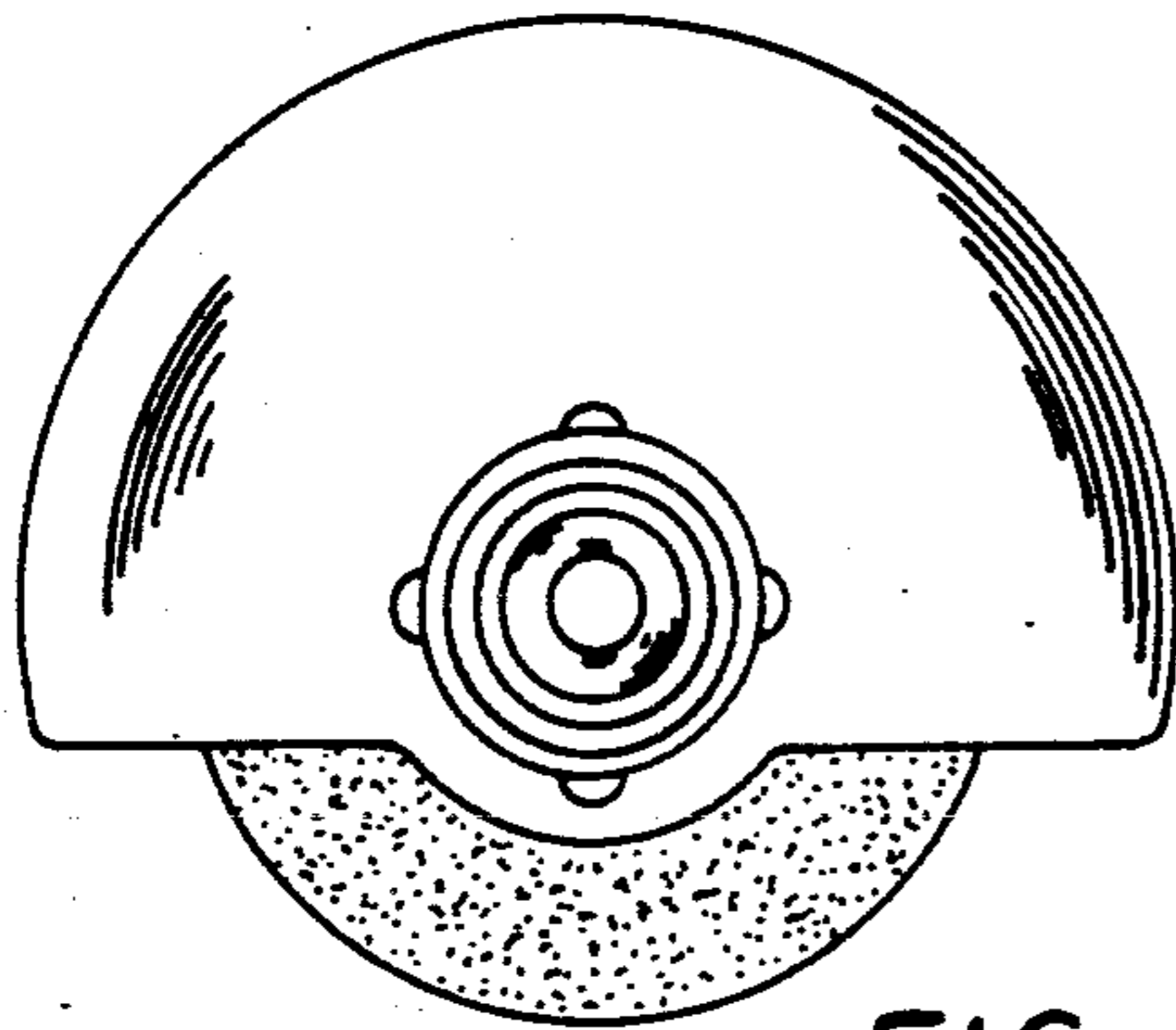


FIG. 3

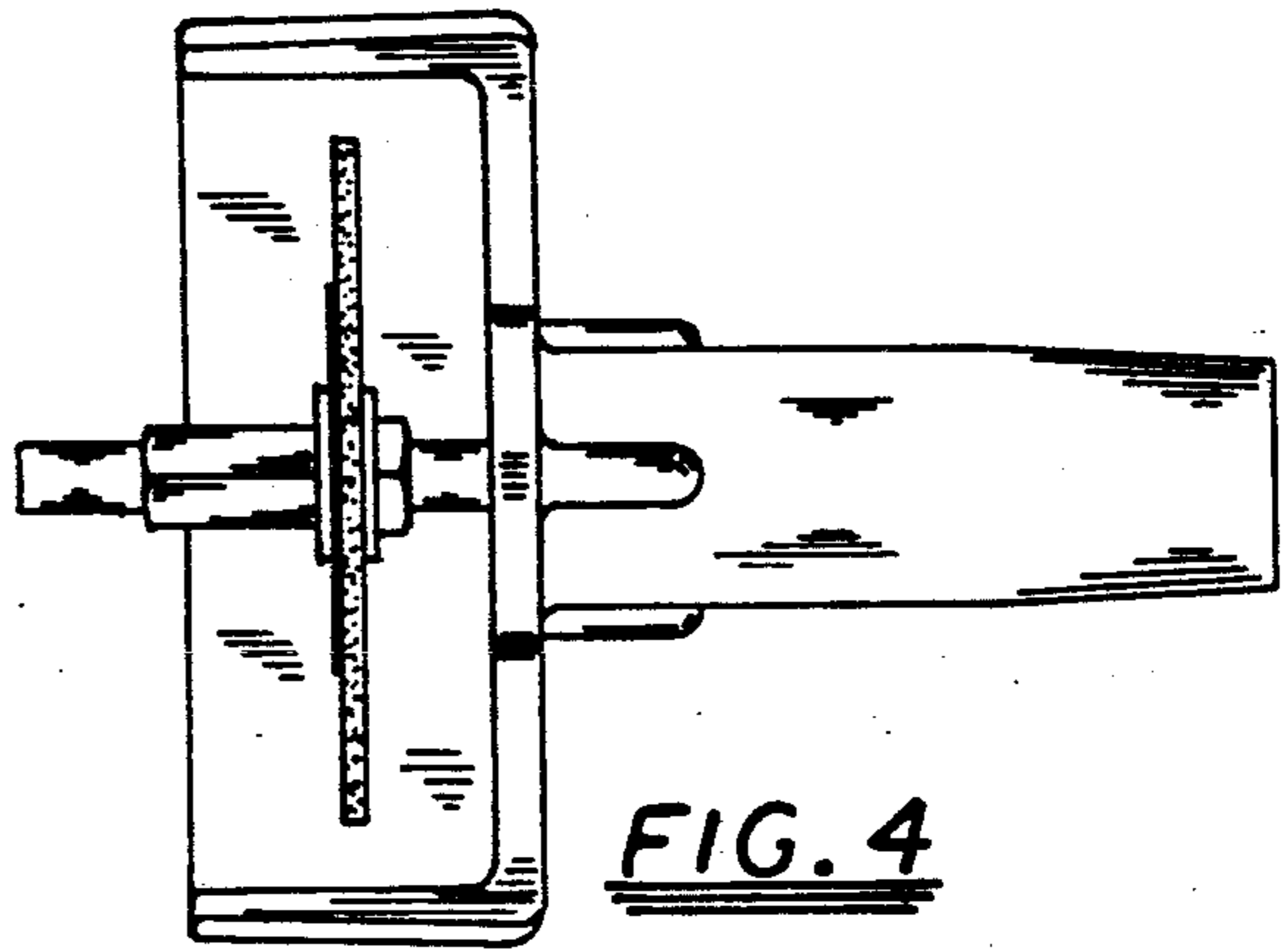


FIG. 4

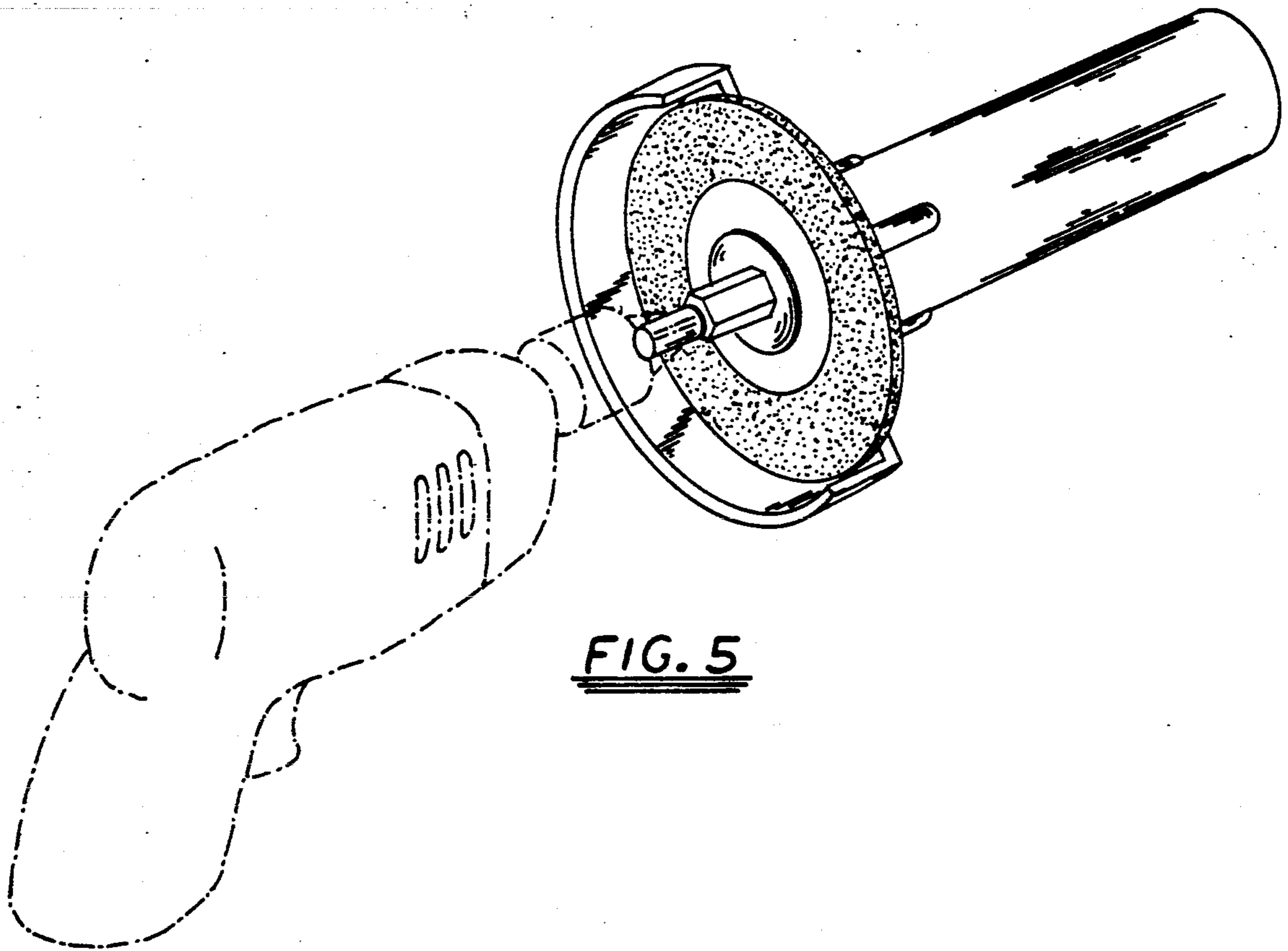


FIG. 5