



US00D323099S

# United States Patent [19]

Sakamoto et al.

[11] Patent Number: **Des. 323,099**

[45] Date of Patent: **\*\* Jan. 14, 1992**

## [54] PORTABLE ELECTRIC BELT SANDER

[75] Inventors: **Masakazu Sakamoto; Naoki Kikuchi,**  
both of Tokyo, Japan

[73] Assignee: **Ryobi Ltd., Hiroshima, Japan**

[\*\*] Term: **14 Years**

[21] Appl. No.: **342,519**

[22] Filed: **Apr. 24, 1989**

### [30] Foreign Application Priority Data

Oct. 31, 1988 [JP] Japan ..... 63-42987

[52] U.S. Cl. .... **D8/62**

[58] Field of Search ..... **D8/61, 62, 63;**  
**51/170 T, 170 R, 170 EB, 170 MT, 177, 370,**  
**372, 391, 393**

### [56] References Cited

#### U.S. PATENT DOCUMENTS

D. 200,865	4/1965	Landell .....	D8/62
D. 238,927	2/1976	Andre .....	D8/62
D. 286,737	11/1986	House, II et al. ....	D8/62
4,478,010	10/1984	Dicke .....	51/170 TL
4,478,011	10/1984	Russell .....	51/393
4,574,531	3/1986	McCurry .....	51/170 EB

### OTHER PUBLICATIONS

Reg. No. 290956, title: Portable Electric Belt Sander, Japanese Official Gazette, Jul. 31, 1973 (proprietor: Makita Denki Seisakusho).

Reg. No. 337971, title: Portable Electric Sand Glider, Japanese Official Gazette, Nov. 12, 1971 (proprietor: Tokyo Shibaura Denki K.K.).

*Primary Examiner*—Nelson C. Holtje

*Assistant Examiner*—J. H. Musgrove

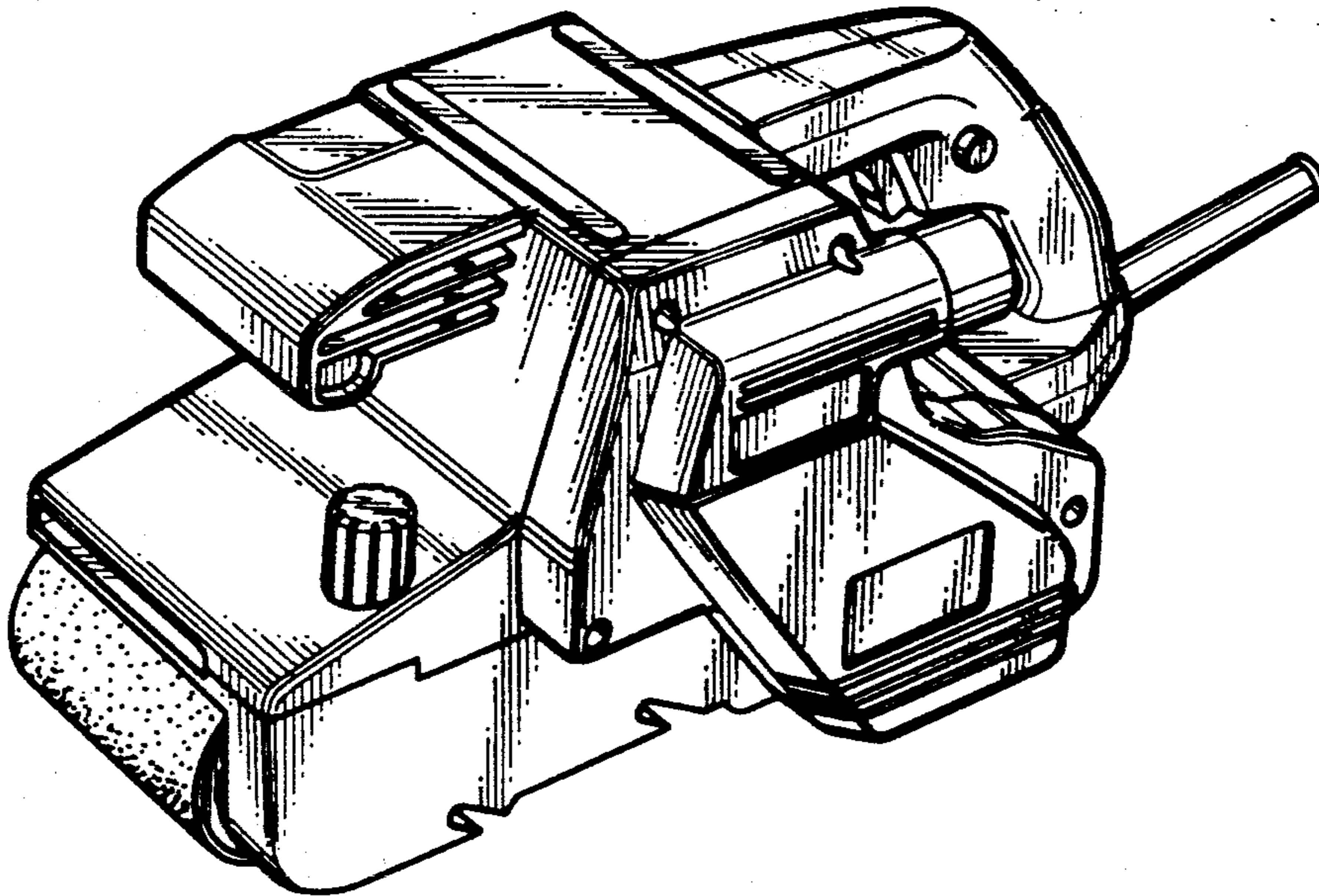
*Attorney, Agent, or Firm*—Sughrue, Mion, Zinn,  
Macpeak & Seas

### [57] CLAIM

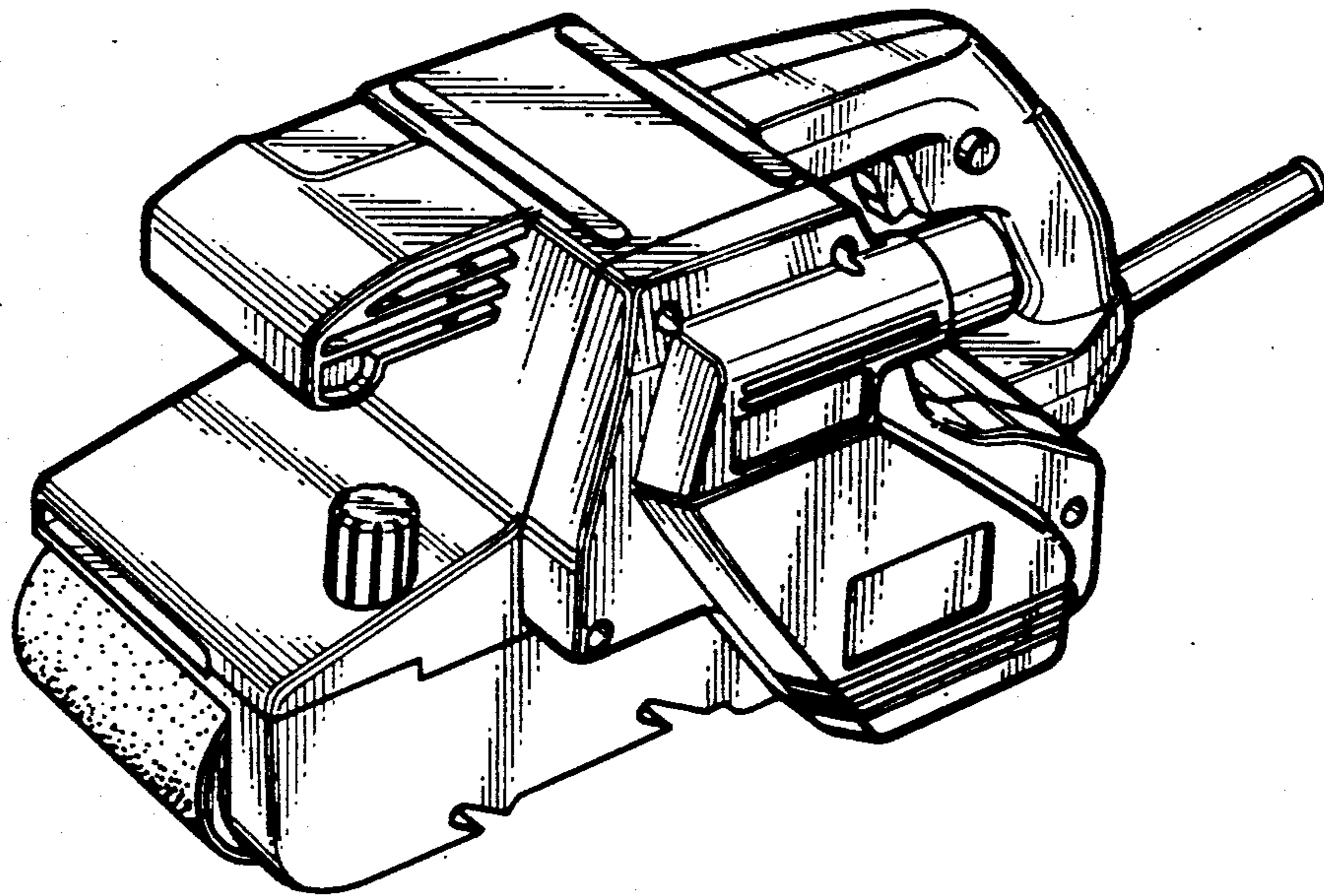
The ornamental design for a portable electric belt sander, as shown and described.

### DESCRIPTION

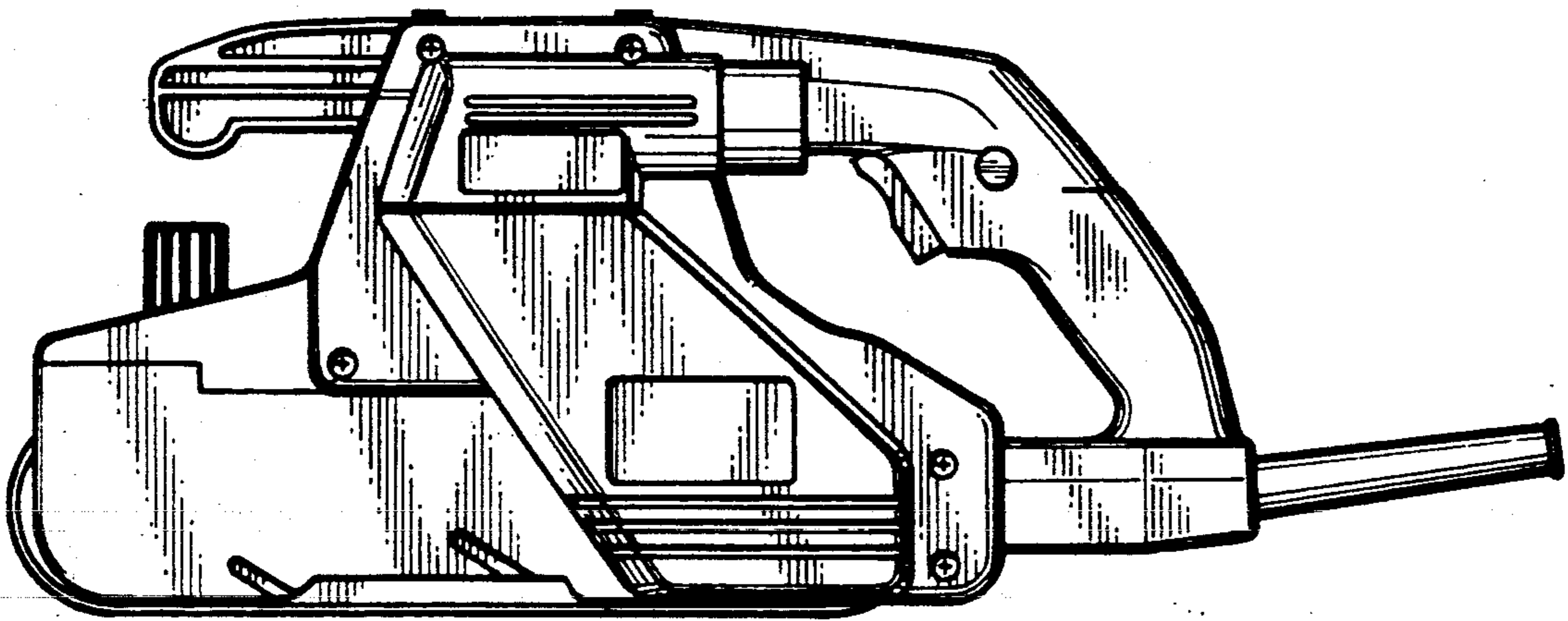
FIG. 1 is a front, top and right side perspective view of a portable electric belt sander showing our new design; FIG. 2 is a right side elevational view thereof; FIG. 3 is a left side elevational view thereof; FIG. 4 is a front elevational view thereof; FIG. 5 is a rear elevational view thereof; FIG. 6 is a top plan view thereof; and FIG. 7 is a bottom plan view thereof.



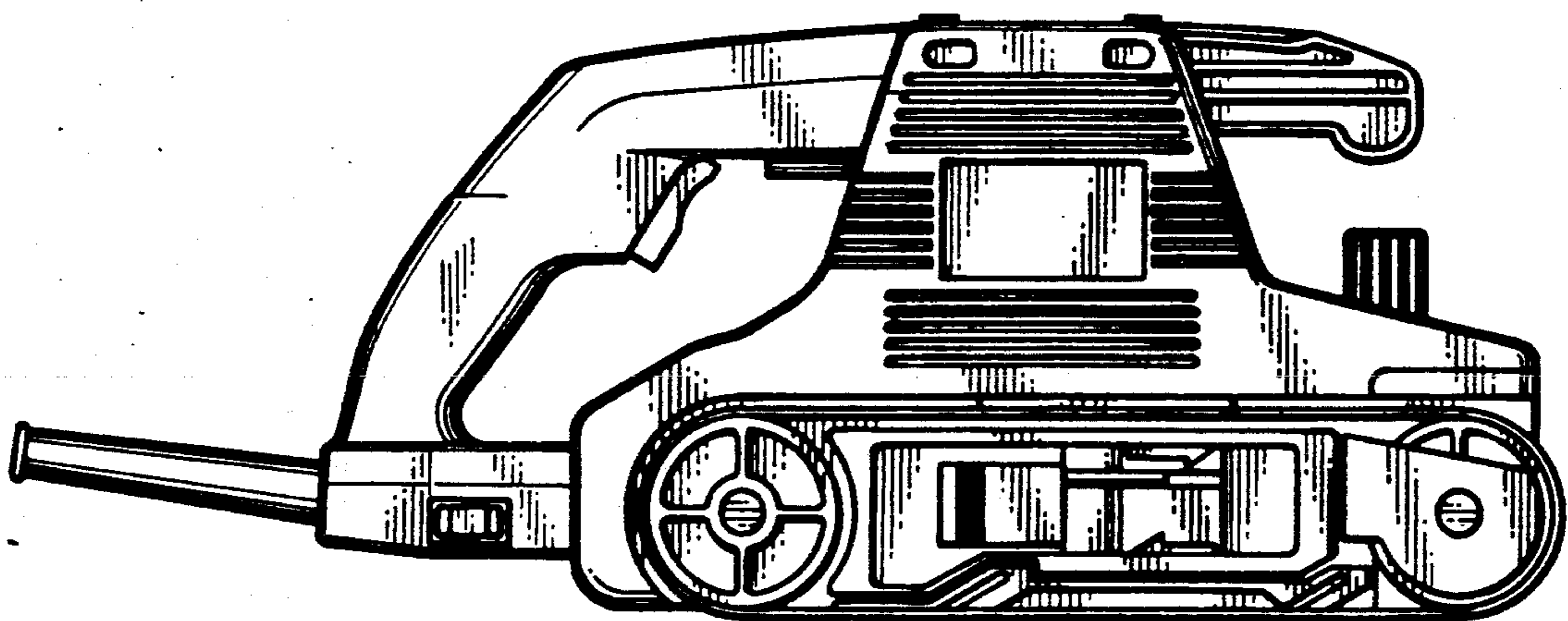
*Fig. 1*



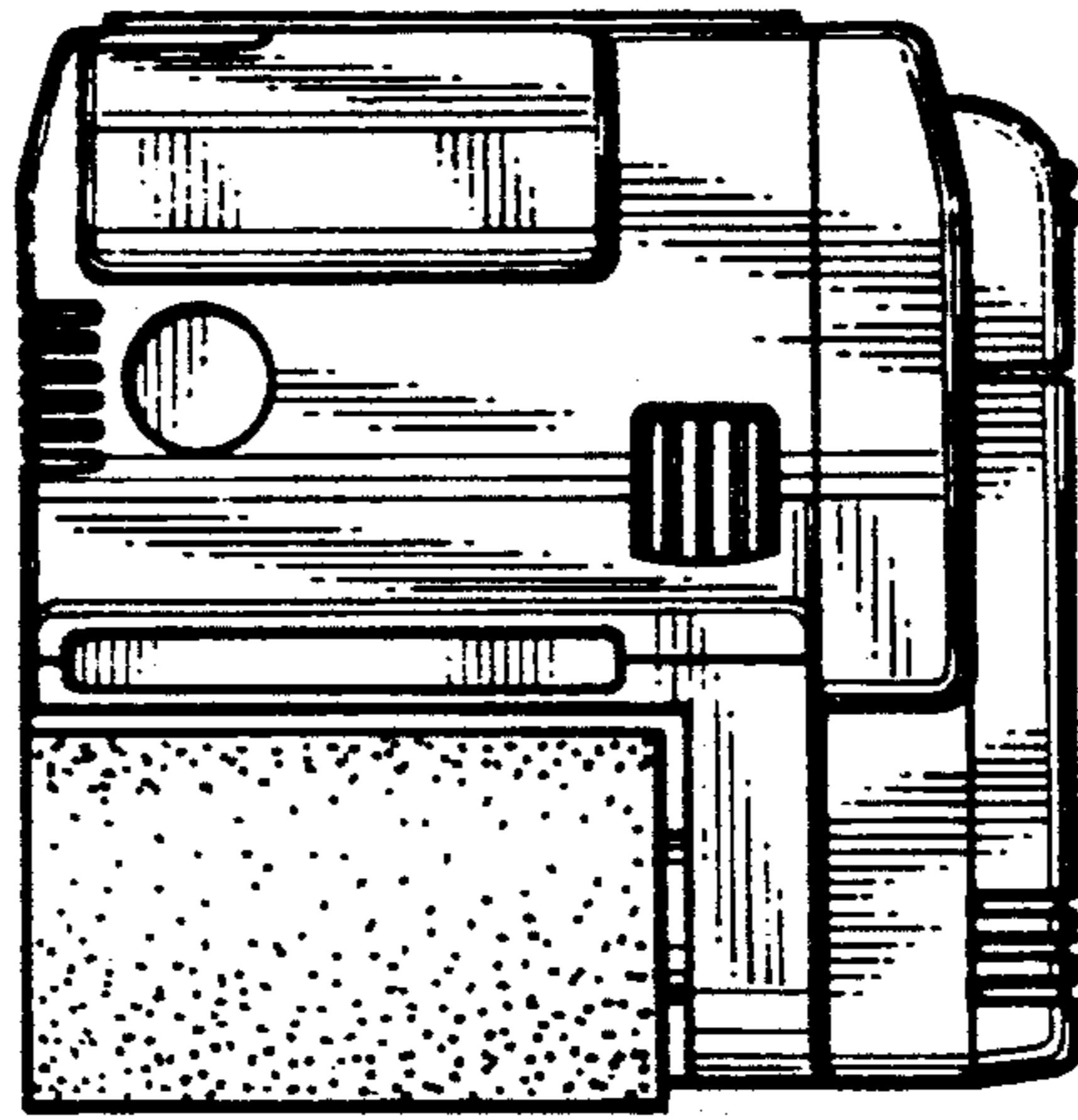
*Fig. 2*



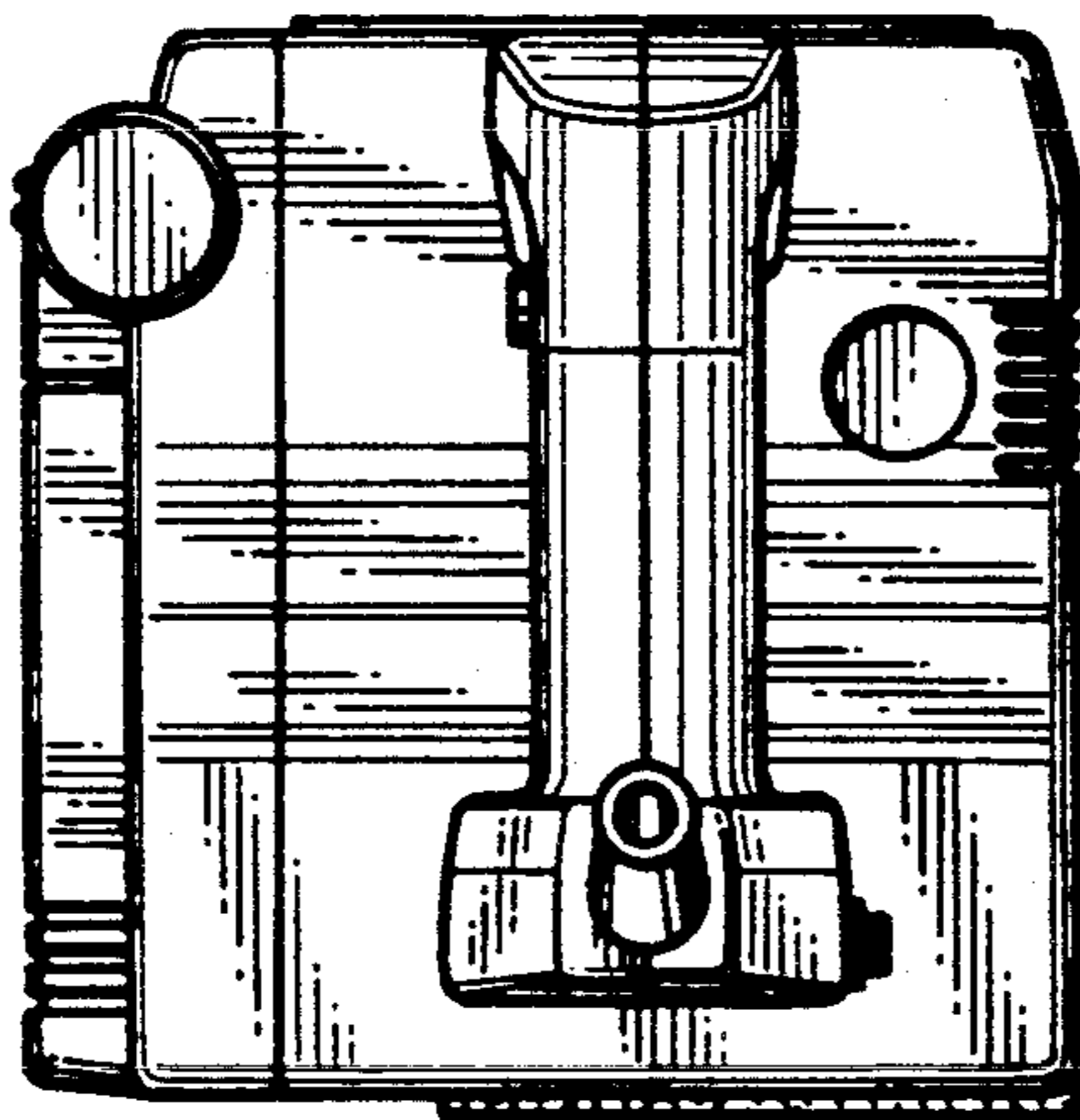
*Fig. 3*



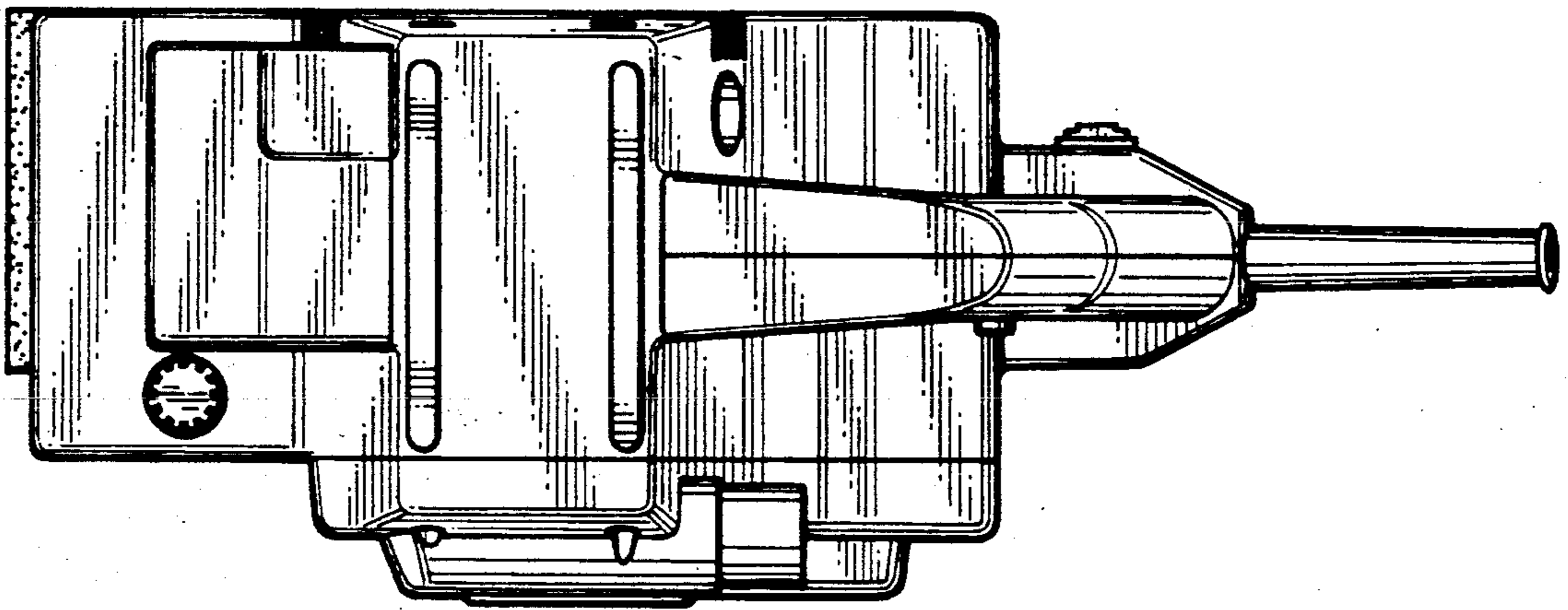
*Fig. 4*



*Fig. 5*



*Fig. 6*



*Fig. 7*

