



US00D323098S

United States Patent [19]

Sakamoto et al.

[11] Patent Number: **Des. 323,098**

[45] Date of Patent: **** Jan. 14, 1992**

[54] **PORTABLE ELECTRIC PLANE**

[75] Inventors: **Masakazu Sakamoto; Toshiaki Saito,**
both of Tokyo, Japan

[73] Assignee: **Ryobi Ltd., Hiroshima, Japan**

[**] Term: **14 Years**

[21] Appl. No.: **342,518**

[22] Filed: **Apr. 24, 1989**

[30] **Foreign Application Priority Data**

Oct. 31, 1988 [JP] Japan 63-42986

[52] U.S. Cl. **D8/62**

[58] Field of Search D8/61, 62, 63;
51/170 T, 170 R, 170 EB, 170 MT, 177, 370,
372, 391, 393

[56] **References Cited**

U.S. PATENT DOCUMENTS

| | | | |
|------------|--------|---------------------|-----------|
| D. 166,148 | 3/1952 | Emmons et al. | D8/62 |
| D. 255,319 | 6/1980 | Schultz et al. | D8/62 |
| D. 282,236 | 1/1986 | Shohoji et al. | D8/61 |
| D. 305,606 | 1/1990 | Cavedo | D8/62 |
| D. 305,721 | 1/1990 | Fushiya et al. | D8/62 |
| 4,435,923 | 3/1984 | Regina | 51/170 TL |

OTHER PUBLICATIONS

Reg. No. 233449, Title: Electric Plane, Japanese Official Gazette, Apr. 20, 1976, proprietor: Makita Denki Seisakusho.

Reg. No. 238314, Title: Electric Plane, Japanese Official Gazette, Oct. 12, 1964, proprietor: Hitachi Koki K.K.

Primary Examiner—Nelson C. Holtje
Assistant Examiner—J. H. Musgrove
Attorney, Agent, or Firm—Sughrue, Mion, Zinn Macpeak & Seas

[57] **CLAIM**

The ornamental design for a portable electric plane, as shown and described.

DESCRIPTION

FIG. 1 is a front, top and right side perspective view of a portable electric plane showing our new design; FIG. 2 is a right side elevational view thereof; FIG. 3 is a left side elevational view thereof; FIG. 4 is a front elevational view thereof; FIG. 5 is a rear elevational view thereof; FIG. 6 is a top plan view thereof; and FIG. 7 is a bottom plan view thereof.

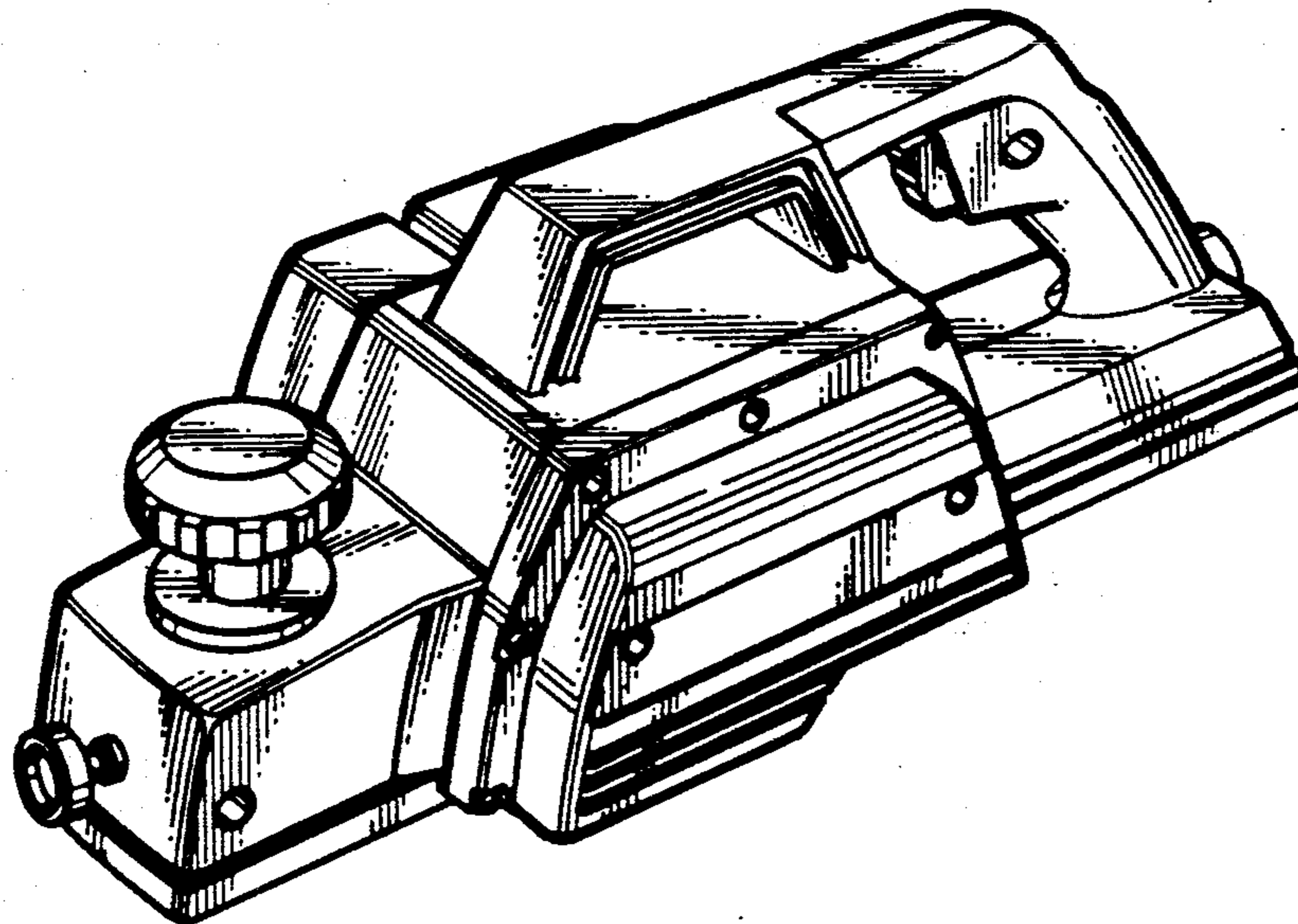


Fig. 1

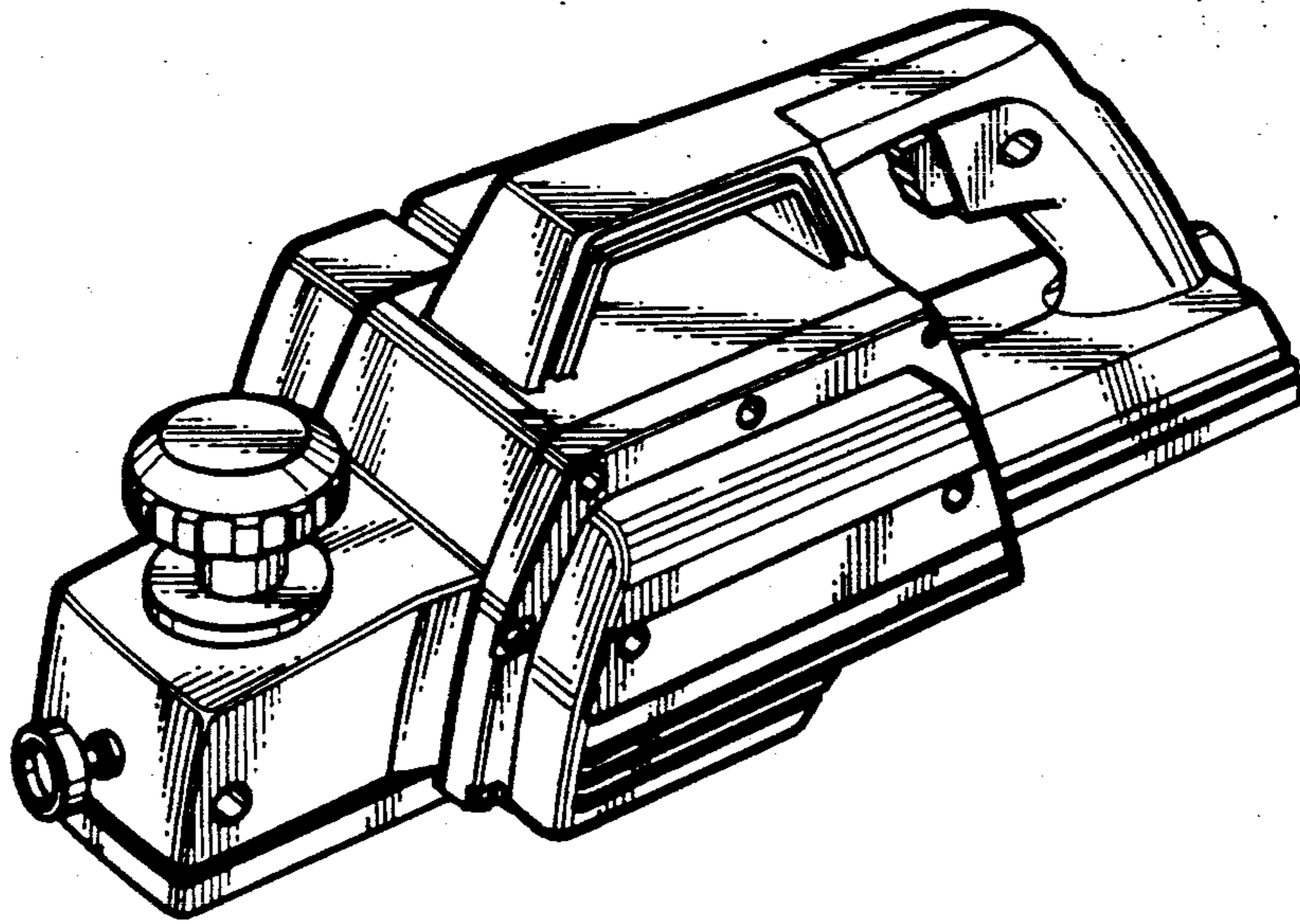


Fig. 2

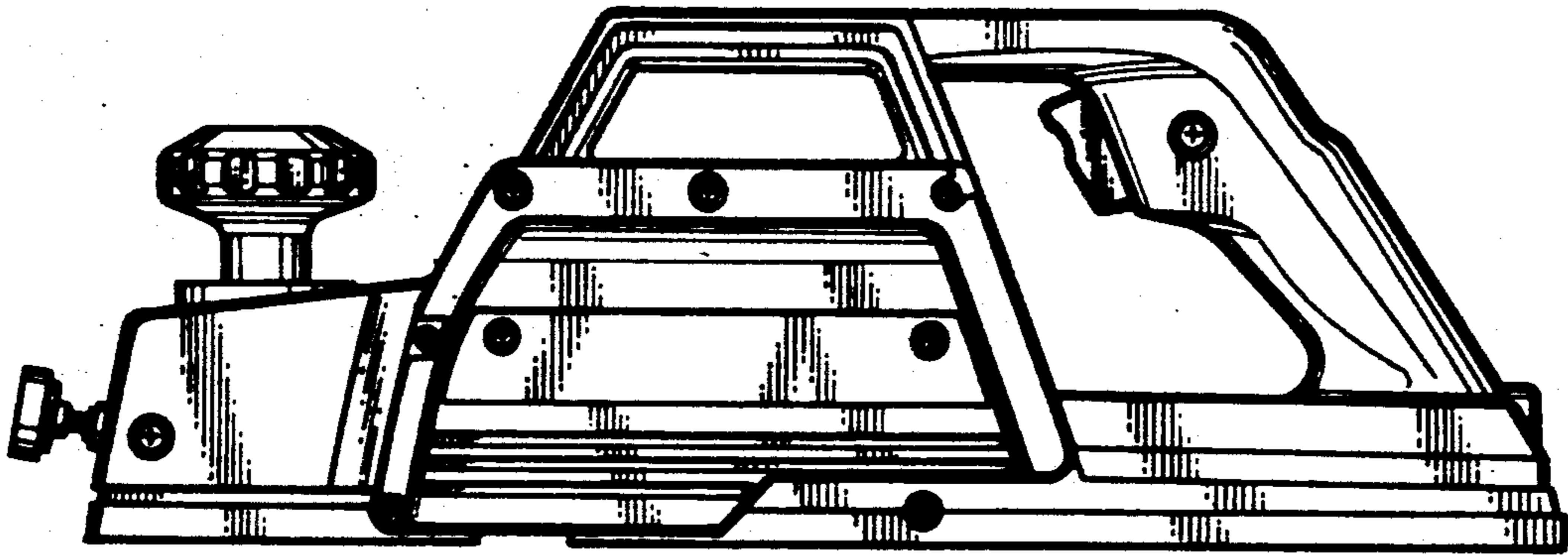


Fig. 3

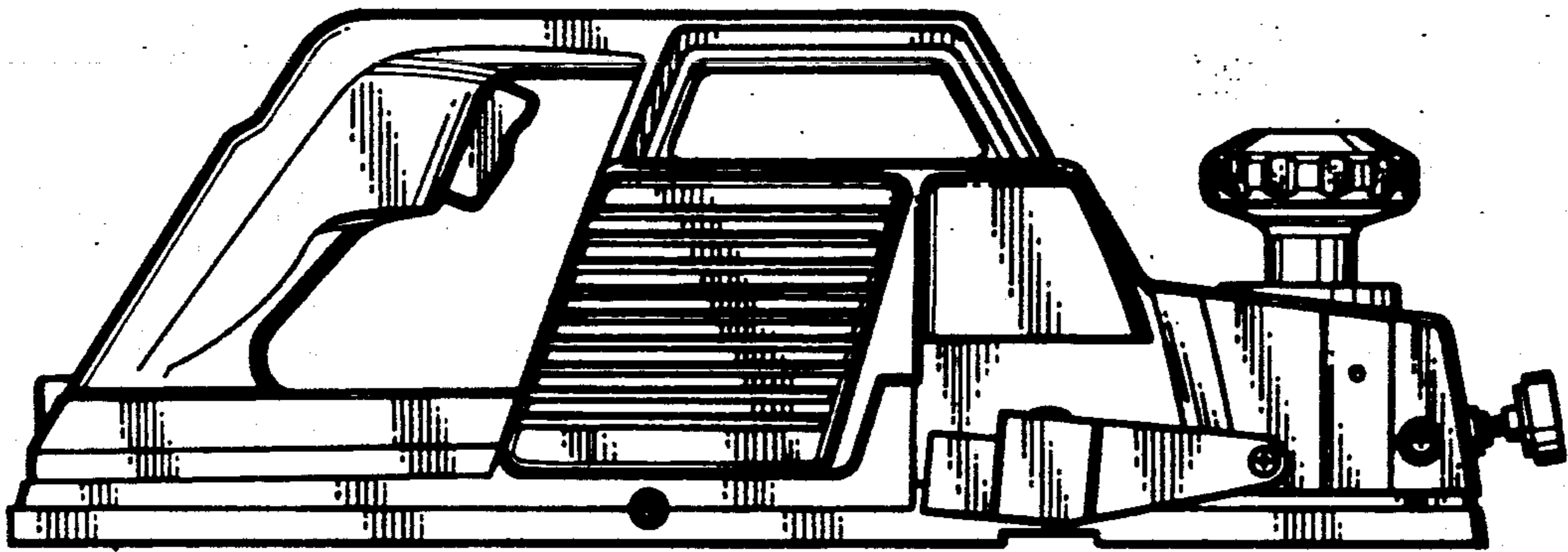


Fig. 4

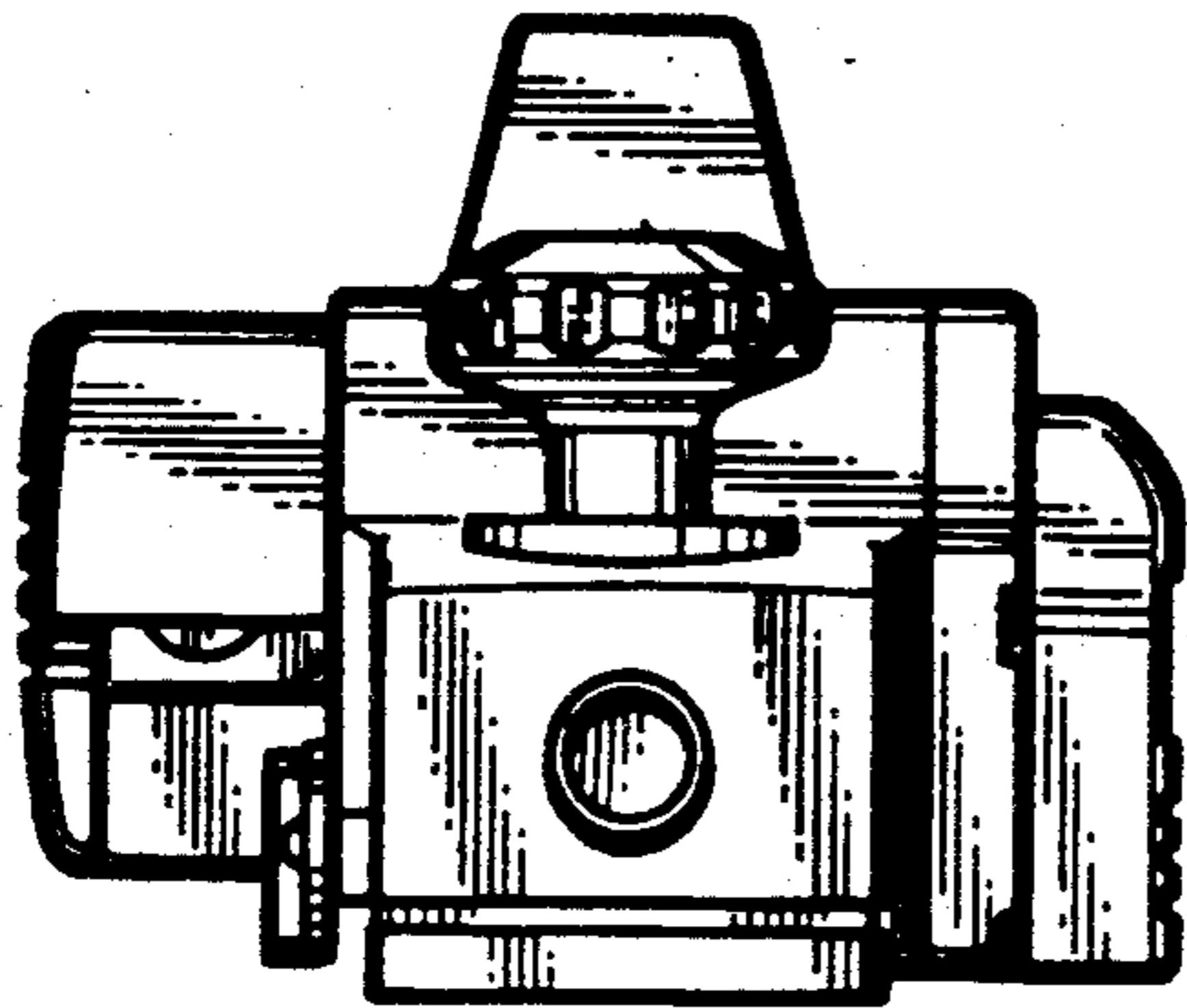


Fig. 5

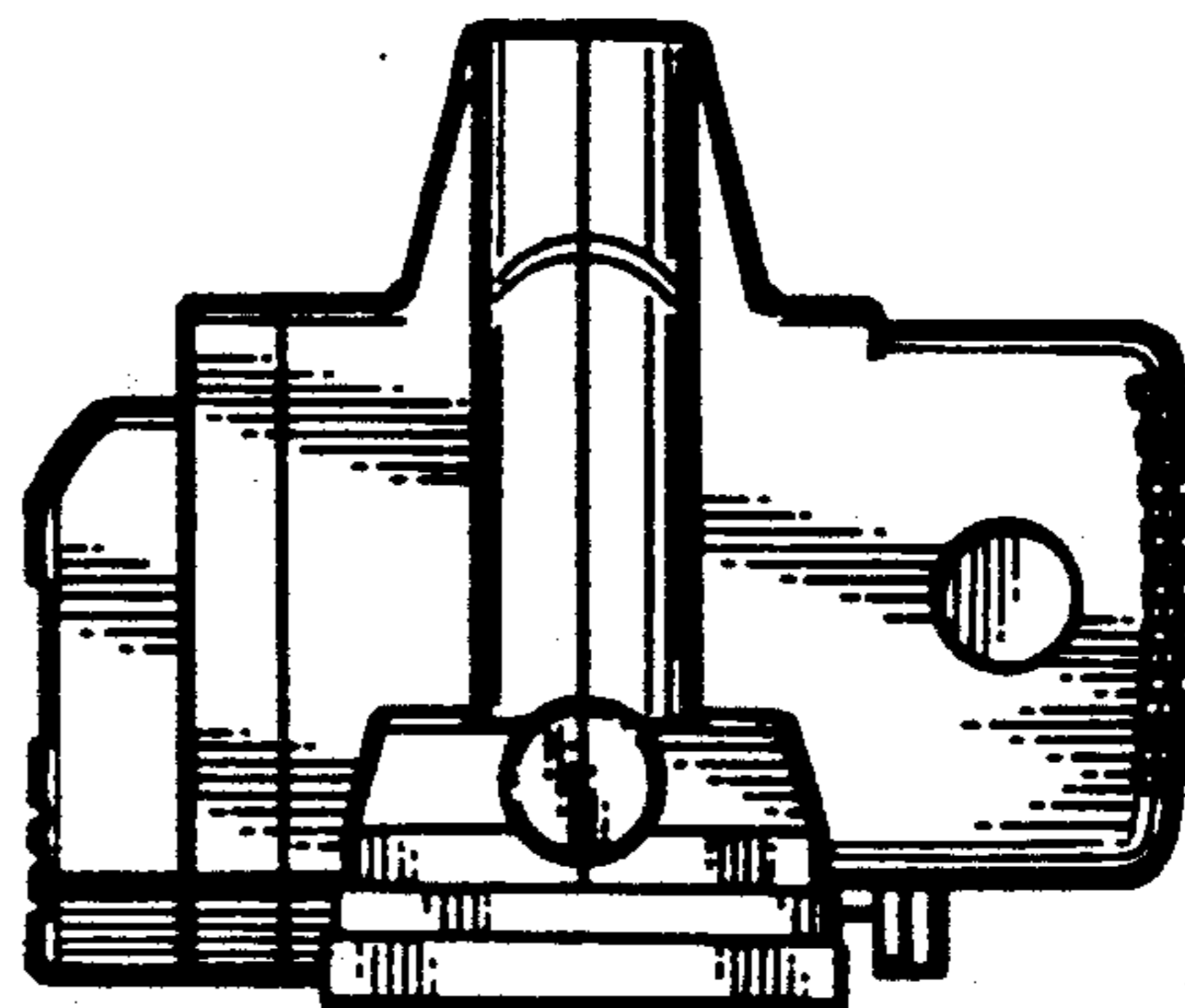


Fig. 6

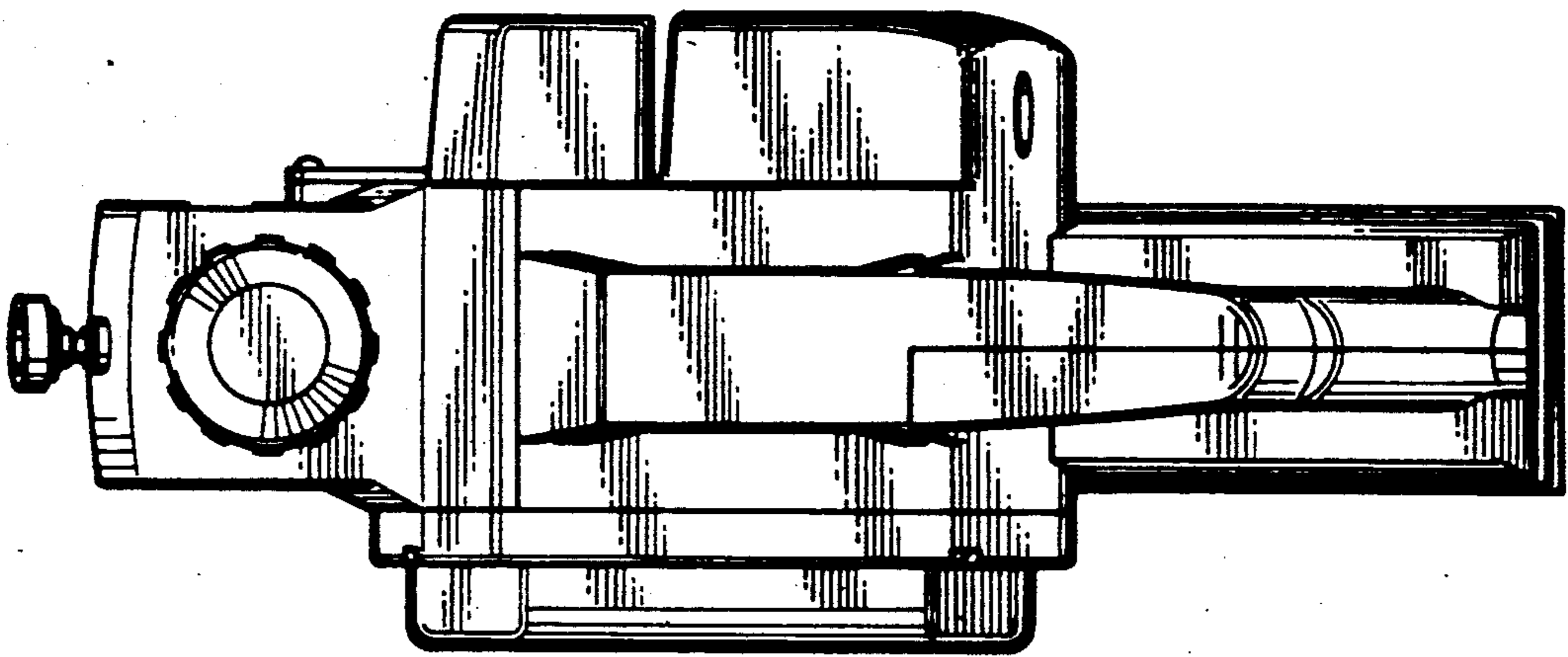


Fig. 7

