



US00D323094S

# United States Patent [19]

[11] Patent Number: **Des. 323,094**

Russell et al.

[45] Date of Patent: **\*\* Jan. 14, 1992**

[54] **COMBINED TOASTER AND HEATER FOR A FRANKFURTER OR THE LIKE**

[56]

### References Cited

#### U.S. PATENT DOCUMENTS

[76] Inventors: **Gordon K. Russell**, 1 Richview Road, Apt. 1101B, Islington, Ontario, Canada, M9A 4M6; **Donald Taylor**, 1725 The Chase, Unit 34, Mississauga, Ontario, Canada, L5M 4N3; **Clement Ching**, 67 Longbow Square, Scarborough, Ontario, Canada, M1W 2W6; **Kam-Chuen Chan**, 8800 Allison Street, Richmond, British Columbia, Canada, V6Y 3J4

D. 154,535	7/1949	Epstein .....	D7/328
2,229,945	1/1941	Uhlrig .....	99/400
2,329,937	9/1943	Orkfritz .....	99/327 X
3,065,688	11/1962	Lindemann .....	99/329 R
3,091,171	5/1963	Cole .....	99/400
3,669,002	6/1972	Davidson .....	D7/329 X
4,216,372	8/1980	Huggler .....	99/389 X

*Primary Examiner*—Winifred E. Herrmann  
*Attorney, Agent, or Firm*—Rogers, Bereskin & Parr

[\*\*] Term: **14 Years**

### [57] CLAIM

The ornamental design for a combined toaster and heater for a frankfurter or the like, as shown and described.

[21] Appl. No.: **363,034**

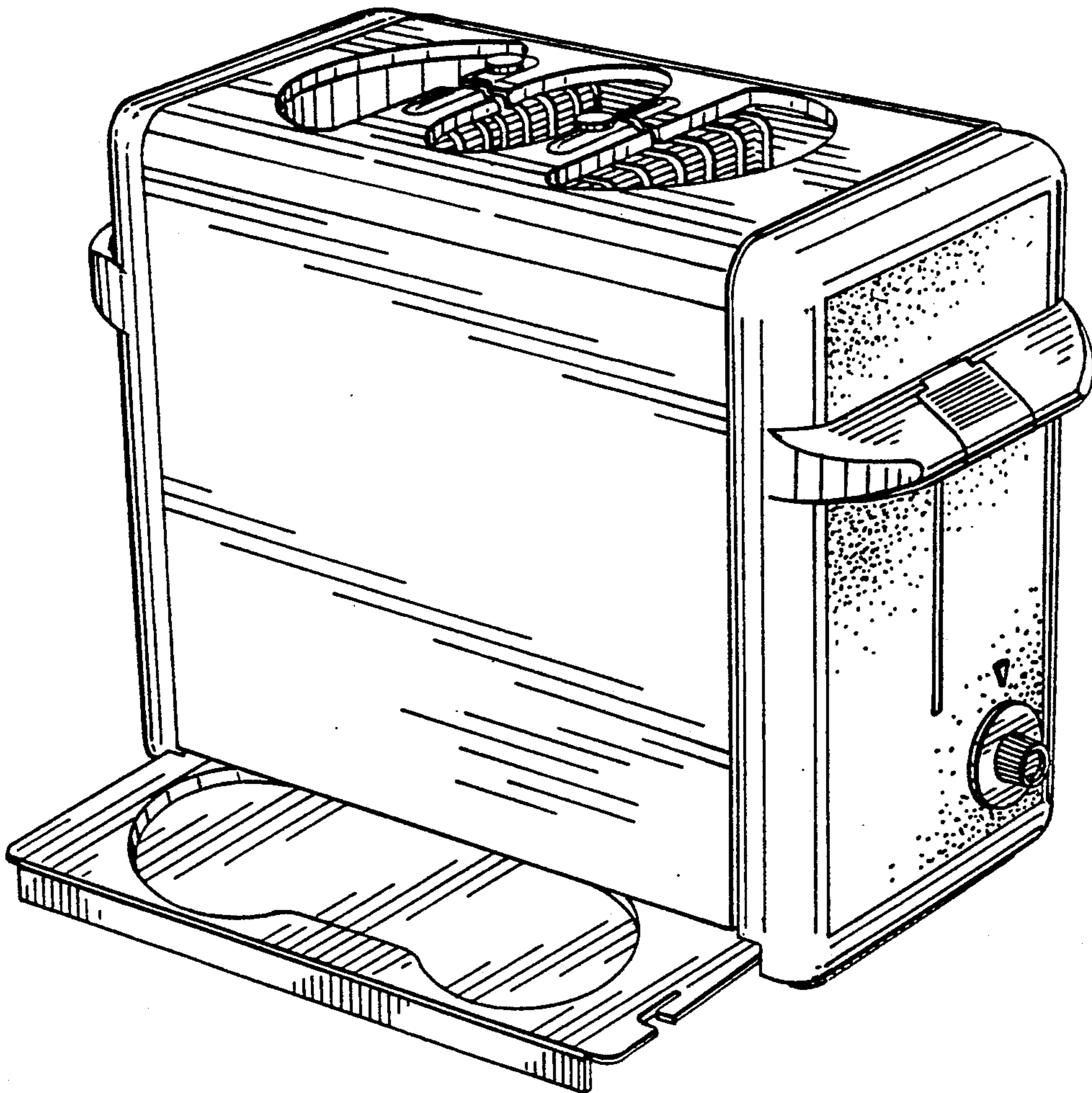
### DESCRIPTION

[22] Filed: **Jun. 8, 1989**

[52] U.S. Cl. .... **D7/329; D7/330**

[58] Field of Search ..... **D7/328, 330, 329, 350; 99/327, 329 R, 329 P, 385, 388, 389, 400, 339, 448**

FIG. 1 is a top, front, and right side perspective view of a combined toaster and heater for a frankfurter or the like showing our new design with the tray being shown in a partially open condition; and FIG. 2 is a bottom, rear and left side perspective view thereof.



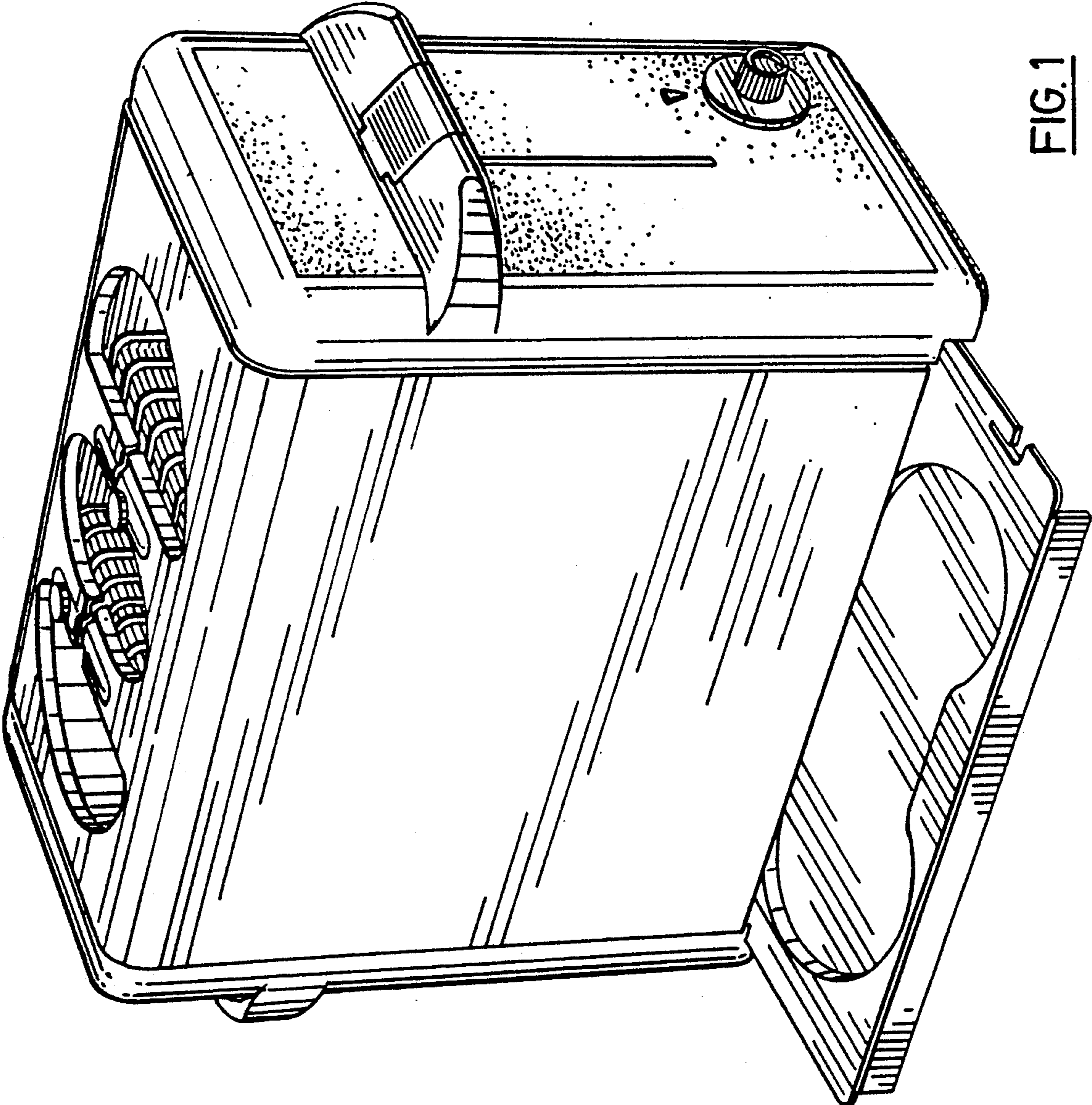


FIG. 1

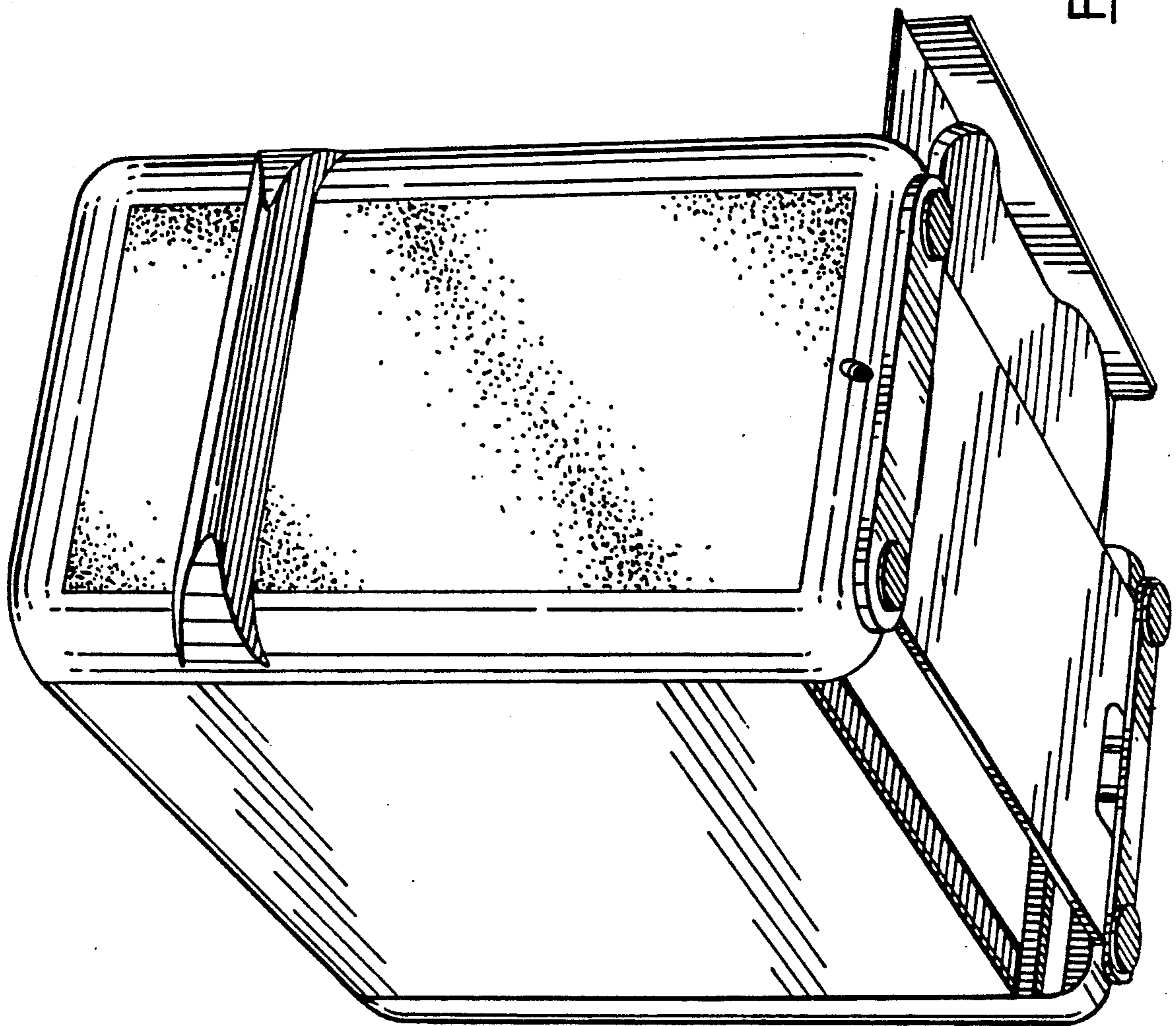


FIG. 2