



US00D323091S

United States Patent [19]

[11] Patent Number: **Des. 323,091**

Boschetto

[45] Date of Patent: **** Jan. 14, 1992**

[54] WINDOW SHELF

4,801,023 1/1989 Ecclestone D6/474 X
4,932,538 6/1990 Gambello 211/87

[76] Inventor: **Andrew A. Boschetto, 39 Wagon La.,
Cherry Hill, N.J. 08002**

OTHER PUBLICATIONS

[**] Term: **14 Years**

Joan Cook Catalogue (Winter-1986), p. 62-Board for
Counter Top.

[21] Appl. No.: **407,785**

Tri-Star pamphlet (Aug. 1987)-Window Shelf.

[22] Filed: **Sep. 15, 1989**

Primary Examiner—Brian N. Vinson

[52] U.S. Cl. **D6/574**

Attorney, Agent, or Firm—Longacre & White

[58] Field of Search **D6/512, 514, 567, 574,
D6/483, 485, 490-491, 509, 511; 108/42, 47;
211/86-88, 90, 126, 134; D19/78; D8/373**

[57] CLAIM

The ornamental design for a window shelf, as shown
and described.

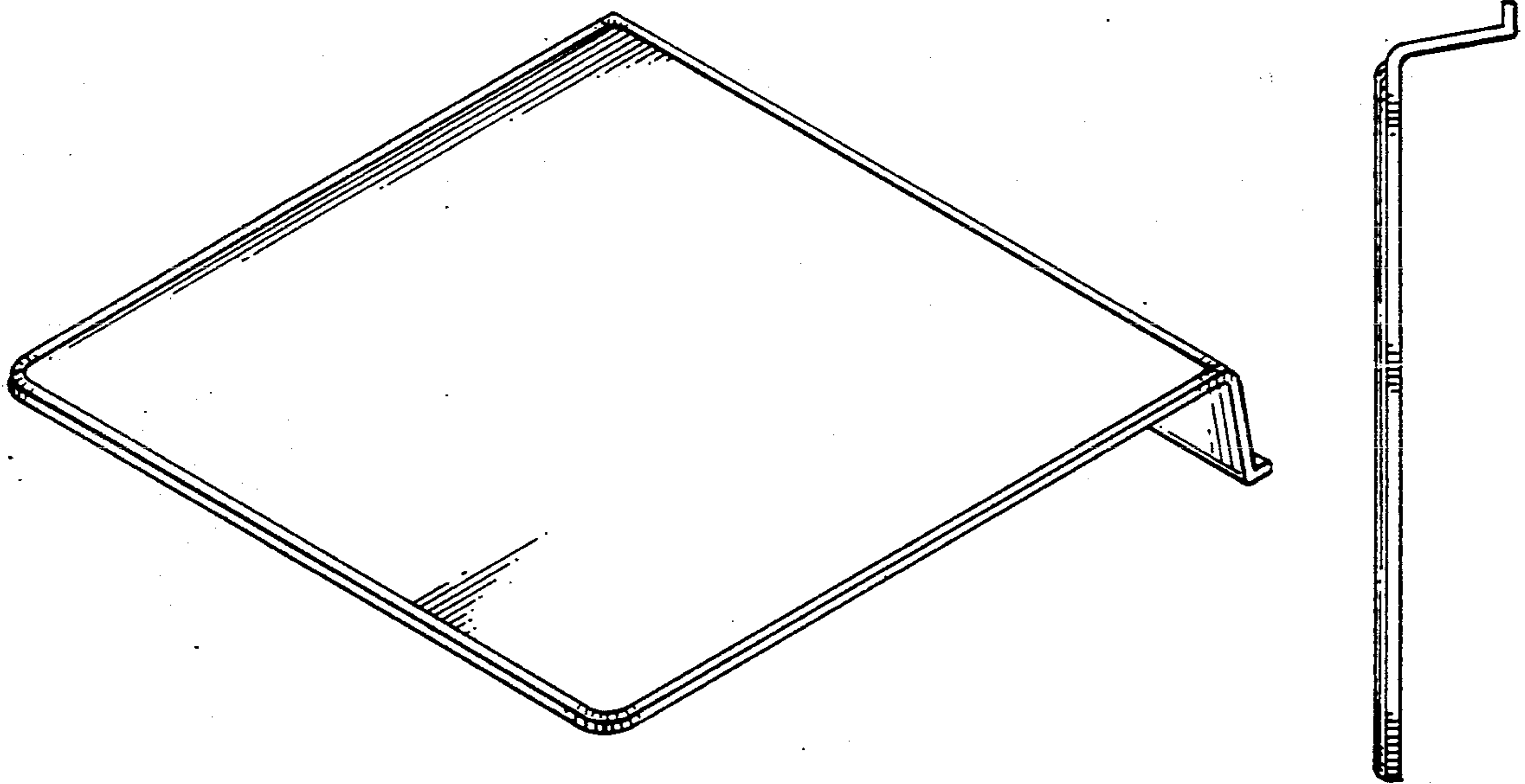
[56] References Cited

DESCRIPTION

U.S. PATENT DOCUMENTS

D. 249,514	9/1978	Loeb	D19/78 X
D. 297,111	8/1988	Thompson et al.	D8/373
D. 314,114	1/1991	Steinman	D6/567
3,638,997	2/1972	Shapiro et al.	D6/336 X
4,155,312	5/1979	Thorkildson	D6/574 X
4,315,633	2/1982	Boeddeker et al.	211/49.1 X
4,369,948	1/1983	Krauss et al.	D6/513 X

FIG. 1 is a top, front, and right side perspective view of
a window shelf showing my new design;
FIG. 2 is a front elevational view thereof;
FIG. 3 is a rear elevational view thereof;
FIG. 4 is a reduced top plan view thereof;
FIG. 5 is a reduced bottom plan view thereof; and
FIG. 6 is a right side elevational view thereof, the left
side being a mirror image of that shown.



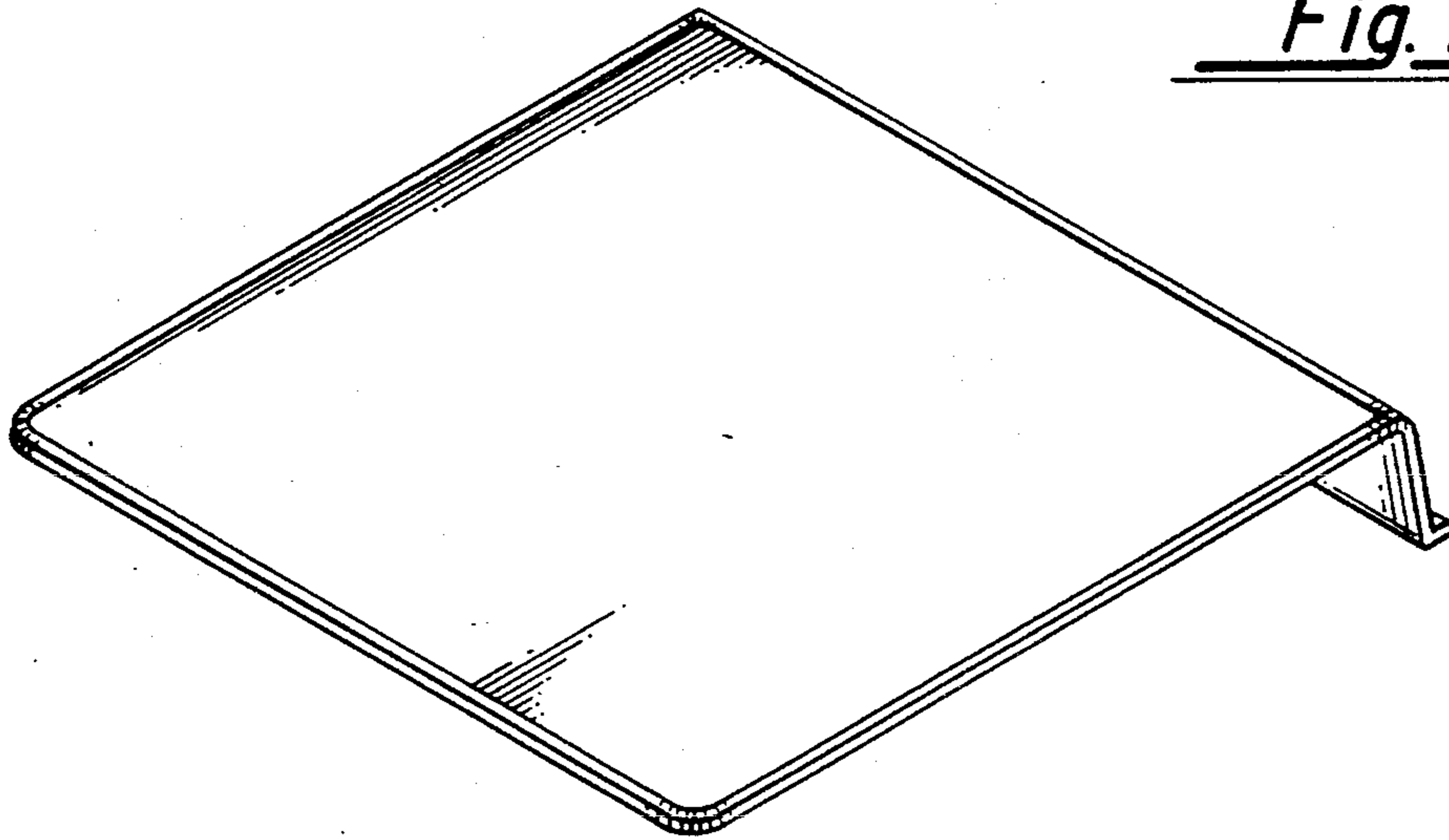


Fig. 1

Fig. 2

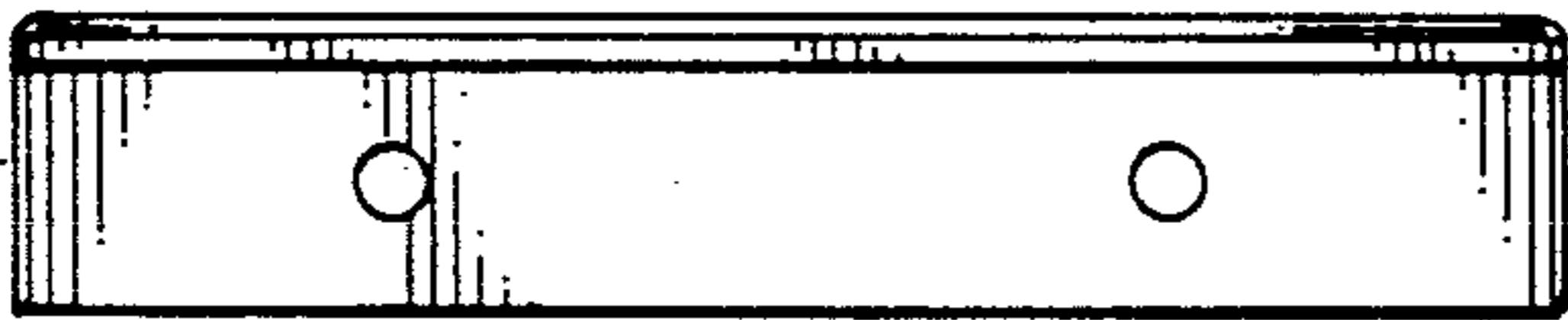


Fig. 3

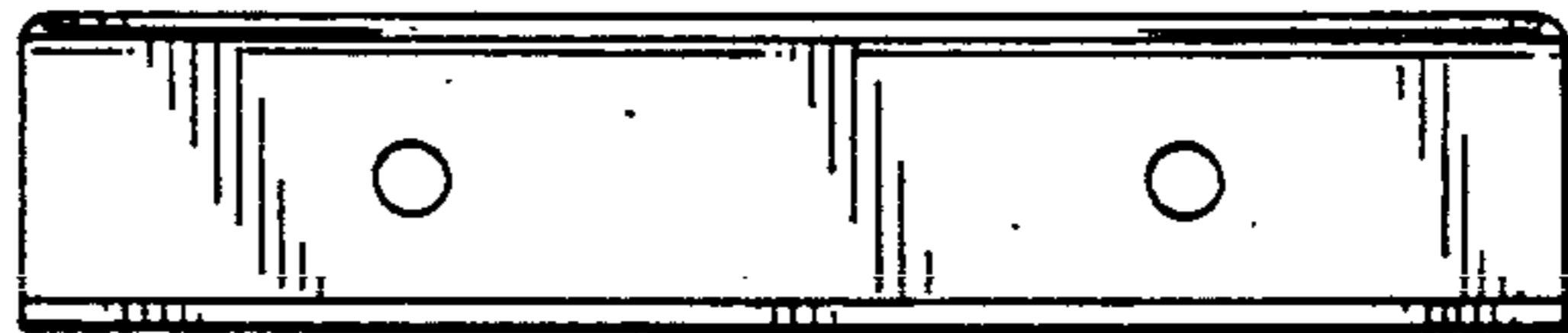


Fig. 4

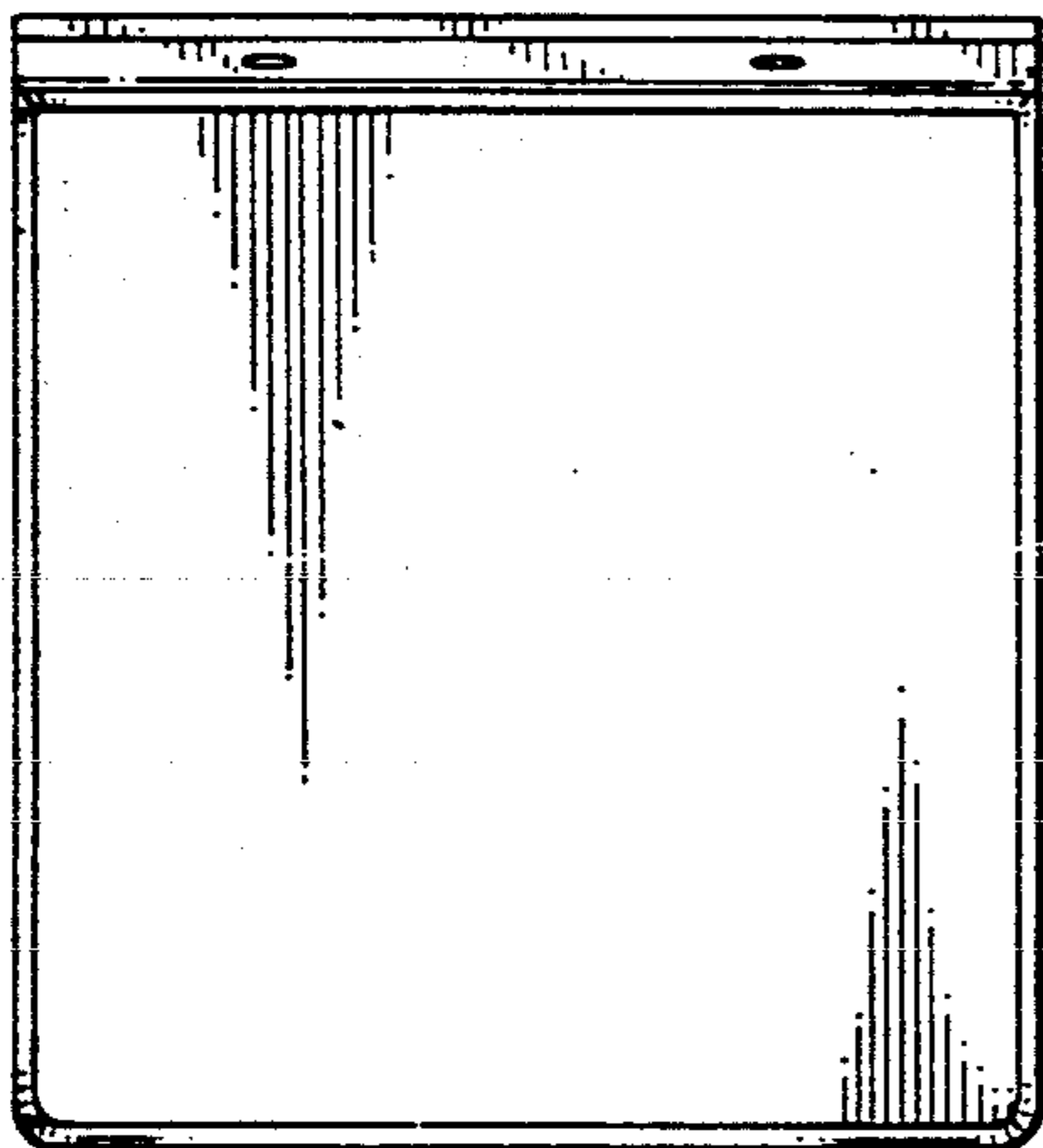


Fig. 5

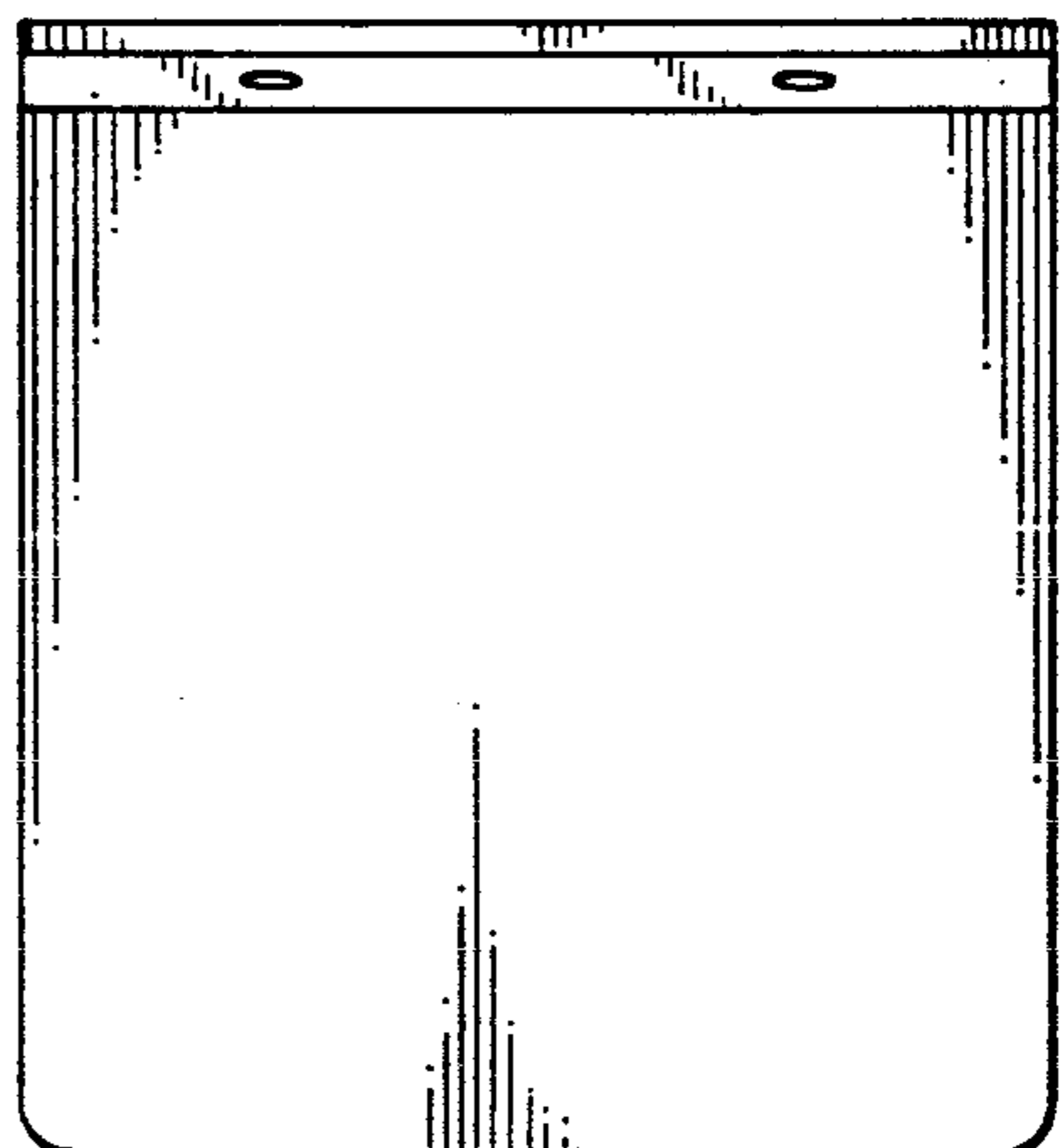


Fig. 6

