



US00D323088S

United States Patent [19]

Fler

[11] Patent Number: **Des. 323,088**

[45] Date of Patent: **** Jan. 14, 1992**

[54] **DRAWER SLIDE**

[76] Inventor: **Jack Fler, 1516 Glasgow Street, Kitchener, Ontario, Canada, N2G 3W7**

[**] Term: **14 Years**

[21] Appl. No.: **304,839**

[22] Filed: **Feb. 1, 1989**

[52] U.S. Cl. **D6/510; D25/119**

[58] Field of Search **D6/491-495, D6/499-503, 505, 507, 510; 312/330.1, 335, 348.1; D25/119, 125, 124**

[56] **References Cited**

U.S. PATENT DOCUMENTS

- D. 185,236 5/1959 Reese D25/119 X
- D. 214,665 7/1969 Tischulc D25/119
- D. 225,396 12/1972 Dallaire et al. D25/119
- 3,203,749 8/1965 Bullock et al. 312/348 X

- 3,205,025 9/1965 Jordan 312/348 X
- 3,697,140 10/1972 Livingston 312/348 X
- 4,079,852 3/1978 Stoffregen 312/330.1 X
- 4,441,773 4/1984 Leiper 312/330.1
- 4,473,262 9/1984 Staye 312/330.1 X
- 4,765,699 8/1988 Bessinger et al. 312/348 X

Primary Examiner—Bruce W. Dunkins

Assistant Examiner—Janice E. Seeger

[57] **CLAIM**

The ornamental design for a drawer slide, as shown and described.

DESCRIPTION

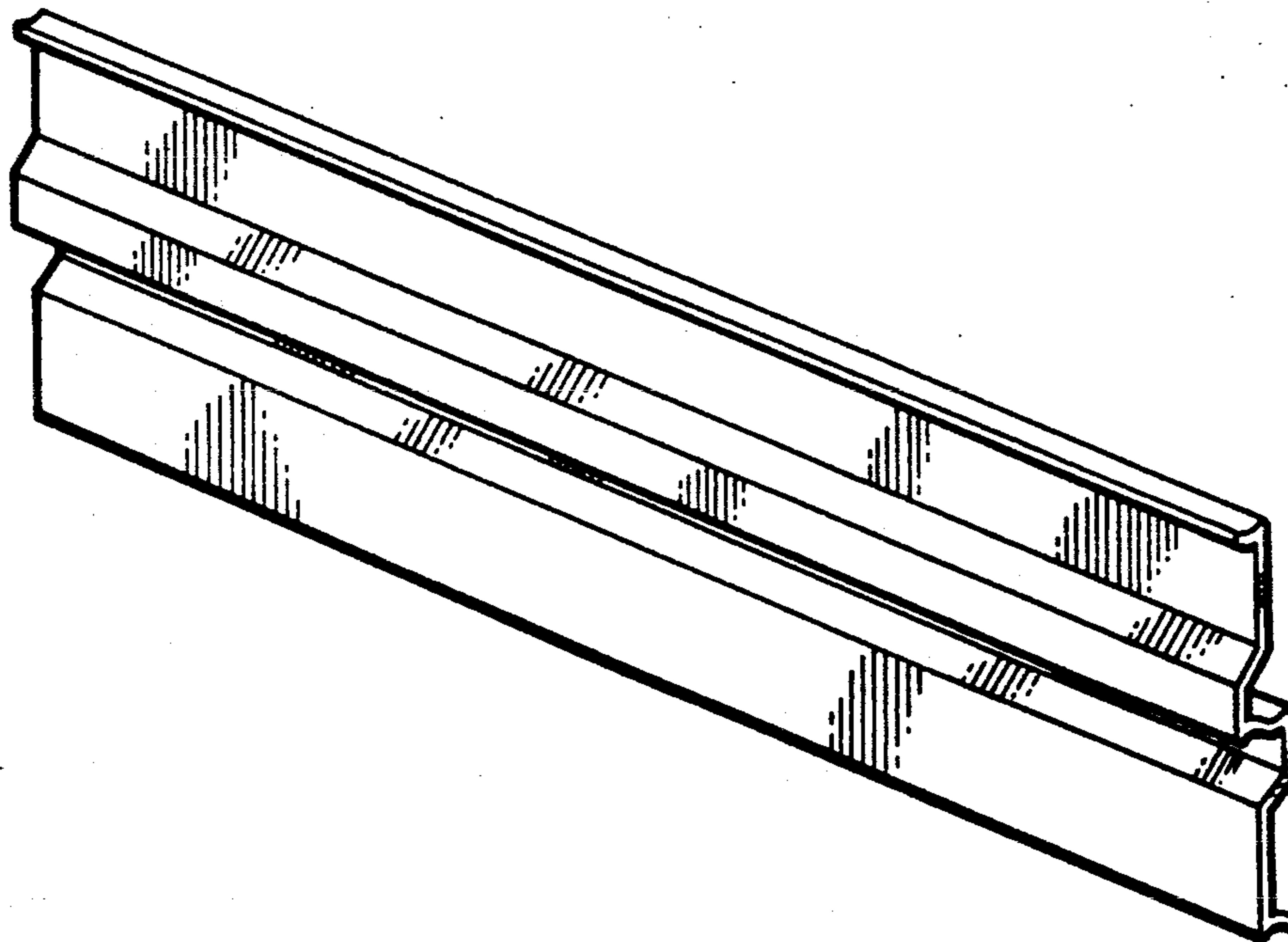
FIG. 1 is a perspective view of a drawer slide, showing my new design;

FIG. 2 is an end elevational view;

FIG. 3 is a side elevational view;

FIG. 4 is an elevational view, showing the side opposite that shown in FIG. 3; and

FIG. 5 is a top plan view thereof.



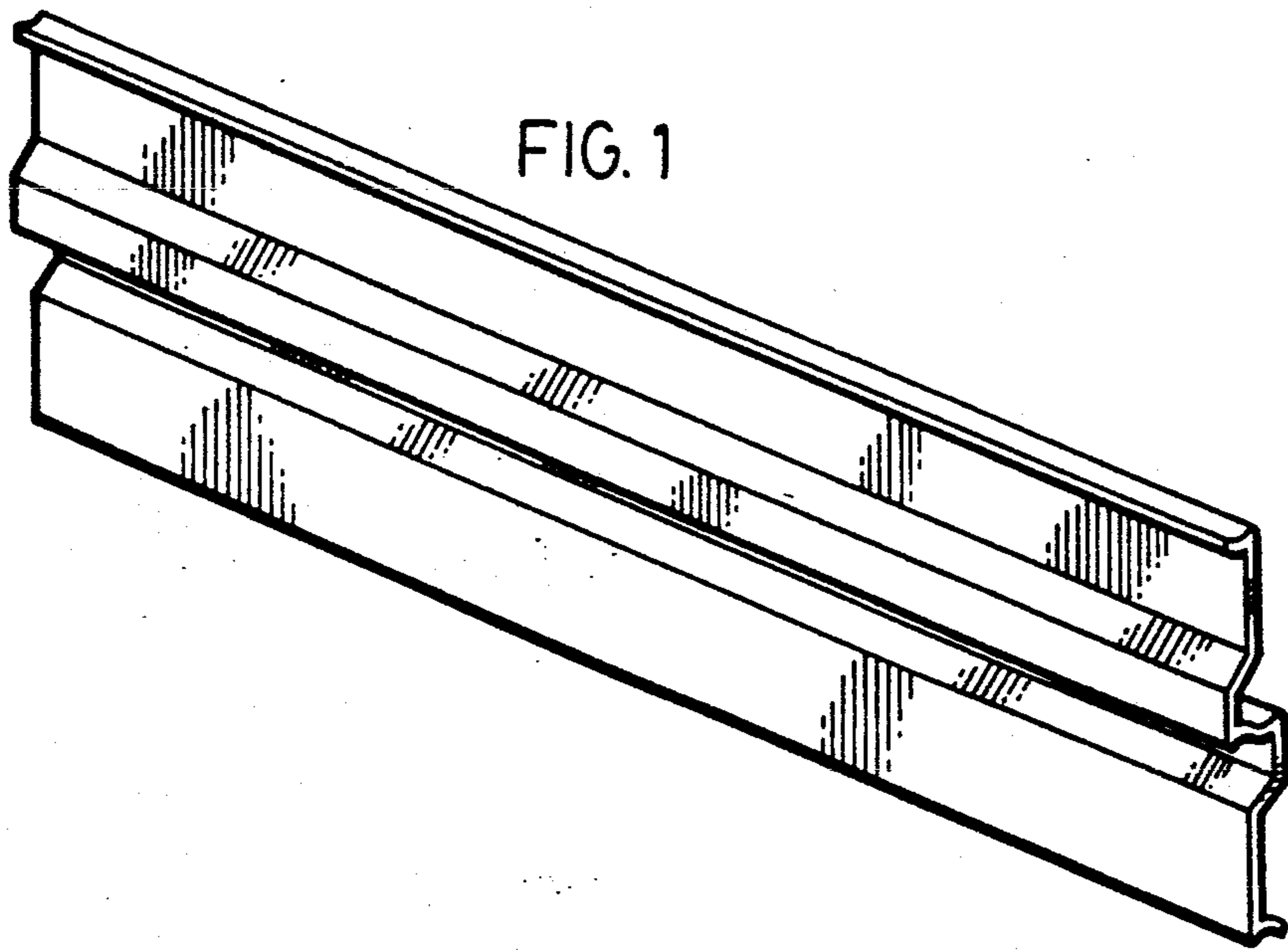


FIG. 2



FIG. 3

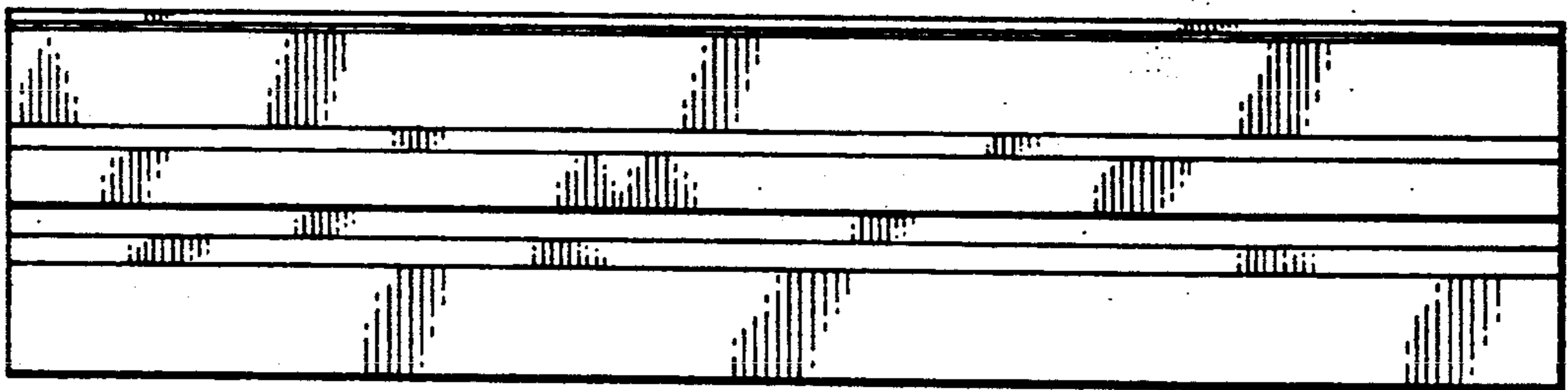


FIG. 4

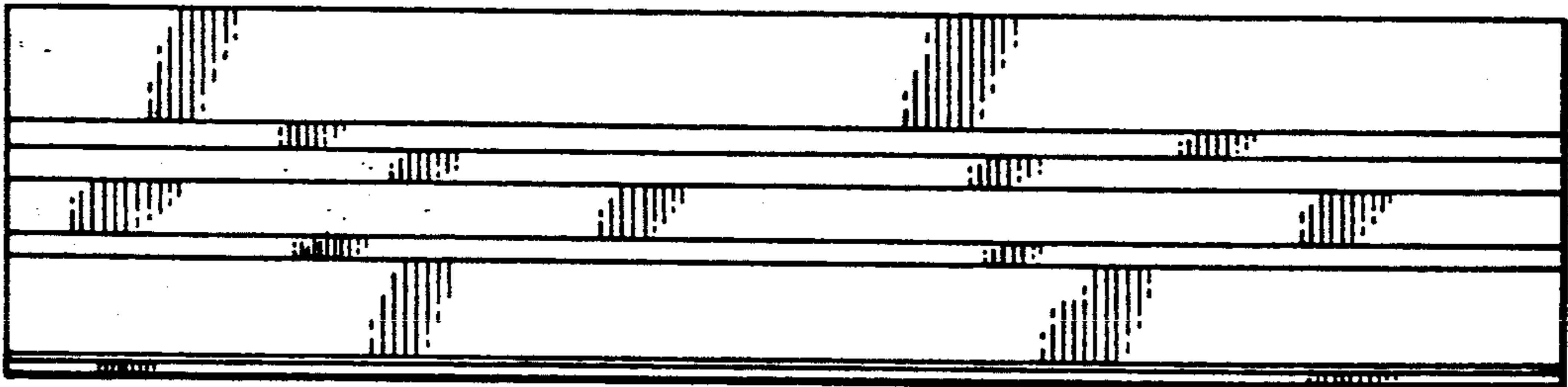


FIG. 5

