



US00D323085S

# United States Patent [19]

[11] Patent Number: **Des. 323,085**

**Konkel**

[45] Date of Patent: **\*\* Jan. 14, 1992**

[54] **STAND FOR A POINT-OF-SALE TERMINAL**

D. 283,954 5/1986 Daws ..... D6/475 X

[75] Inventor: **Richard D. Konkel, Wilton, Calif.**

### OTHER PUBLICATIONS

[73] Assignee: **Retail Profits, Inc., Santa Clara, Calif.**

Fantastic Plastic Co., p. 2, item K101.

[\*\*] Term: **14 Years**

*Primary Examiner*—Bruce W. Dunkins

[21] Appl. No.: **279,443**

*Assistant Examiner*—Jeffrey Asch

[22] Filed: **Dec. 1, 1988**

*Attorney, Agent, or Firm*—Burns, Doane, Swecker & Mathis

[52] U.S. Cl. .... **D6/466; D6/475; 248/158**

### [57] CLAIM

The ornamental design for a stand for a point-of-sale terminal, as shown and described.

[58] Field of Search ..... **D6/449, 466, 467, 462, D6/475, 476, 407, 408; 248/121, 158, 346; D19/90, 92**

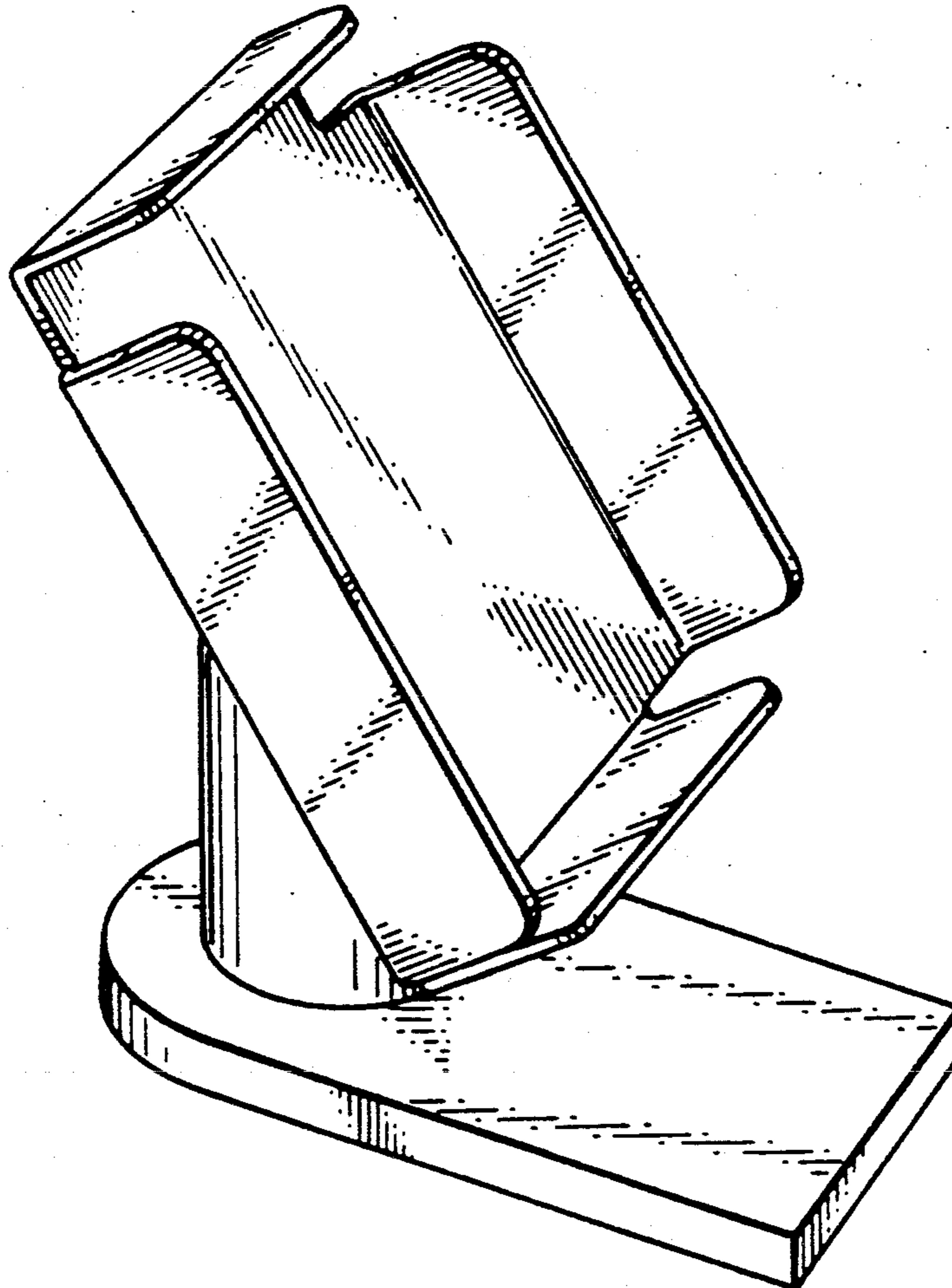
### DESCRIPTION

FIG. 1 is a left side and front perspective view of a stand for a point-of-sale terminal showing my new design; FIG. 2 is a top plan view thereof; FIG. 3 is a left side elevational view thereof; FIG. 4 is a front elevational view thereof; FIG. 5 is a rear elevational view thereof; and FIG. 6 is a right side elevational view thereof.

### [56] References Cited

#### U.S. PATENT DOCUMENTS

- D. 244,238 5/1977 Hill et al. .... D6/466
- D. 244,857 6/1977 Hayes ..... D6/466 X



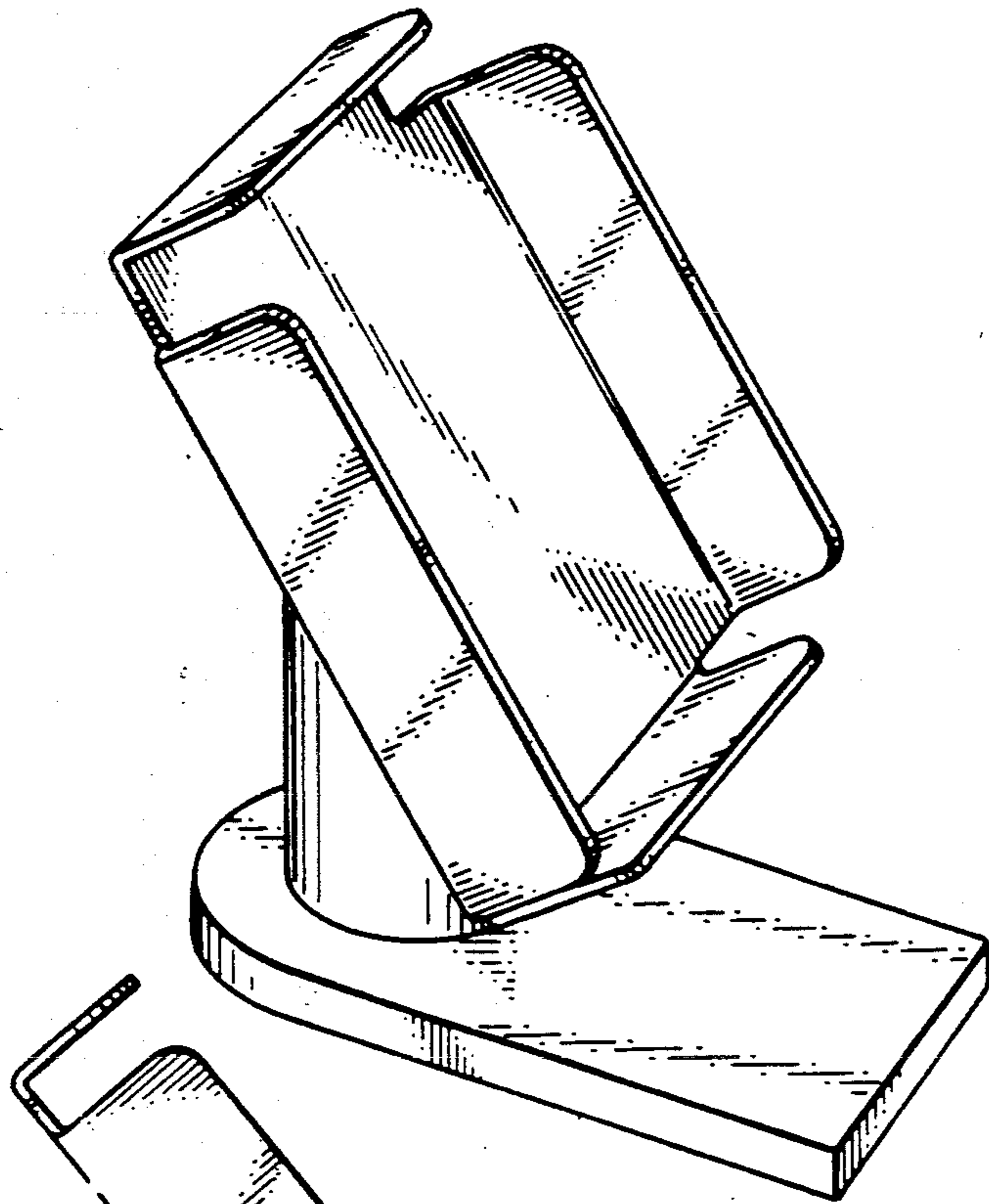


FIG. 1.

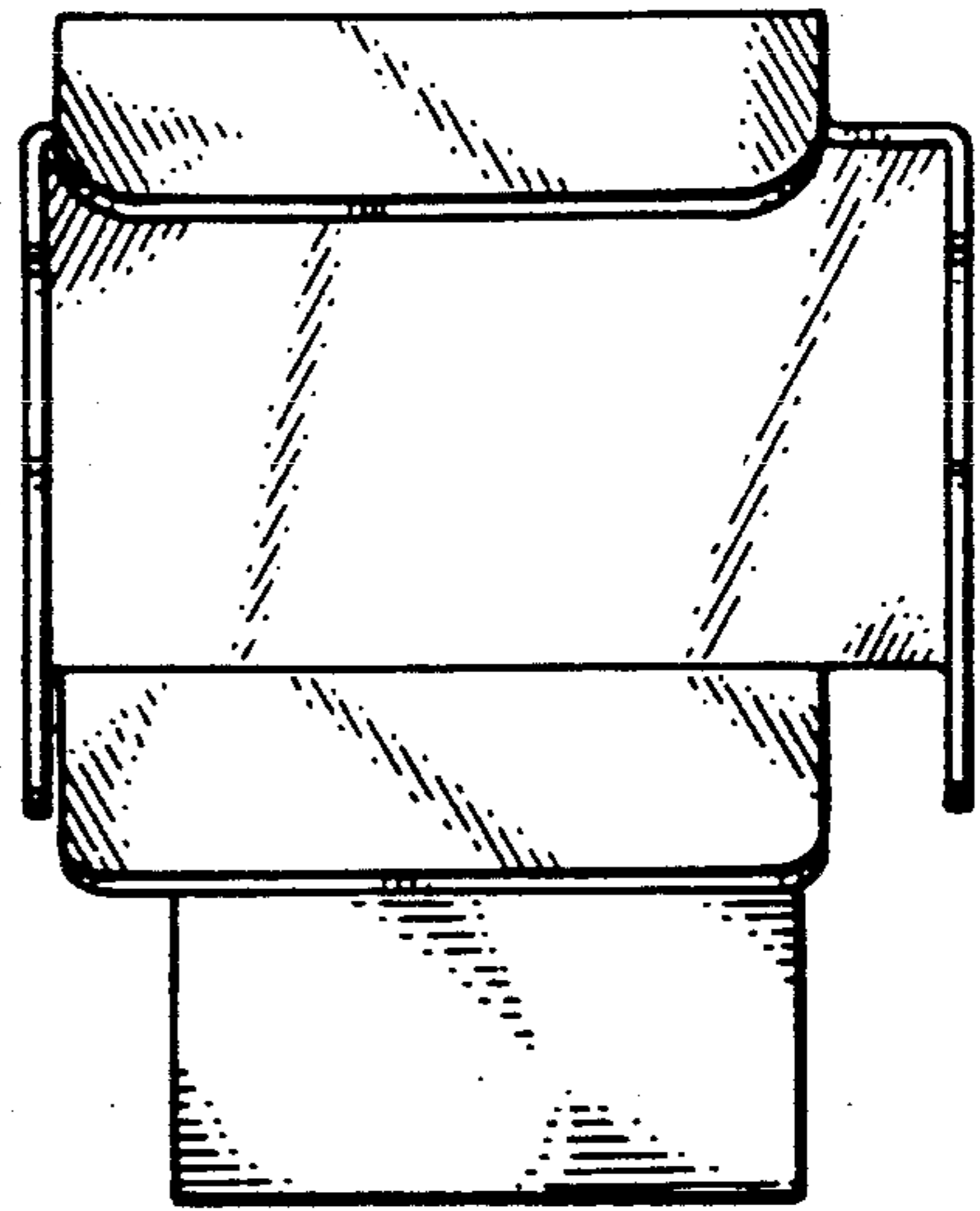


FIG. 2.

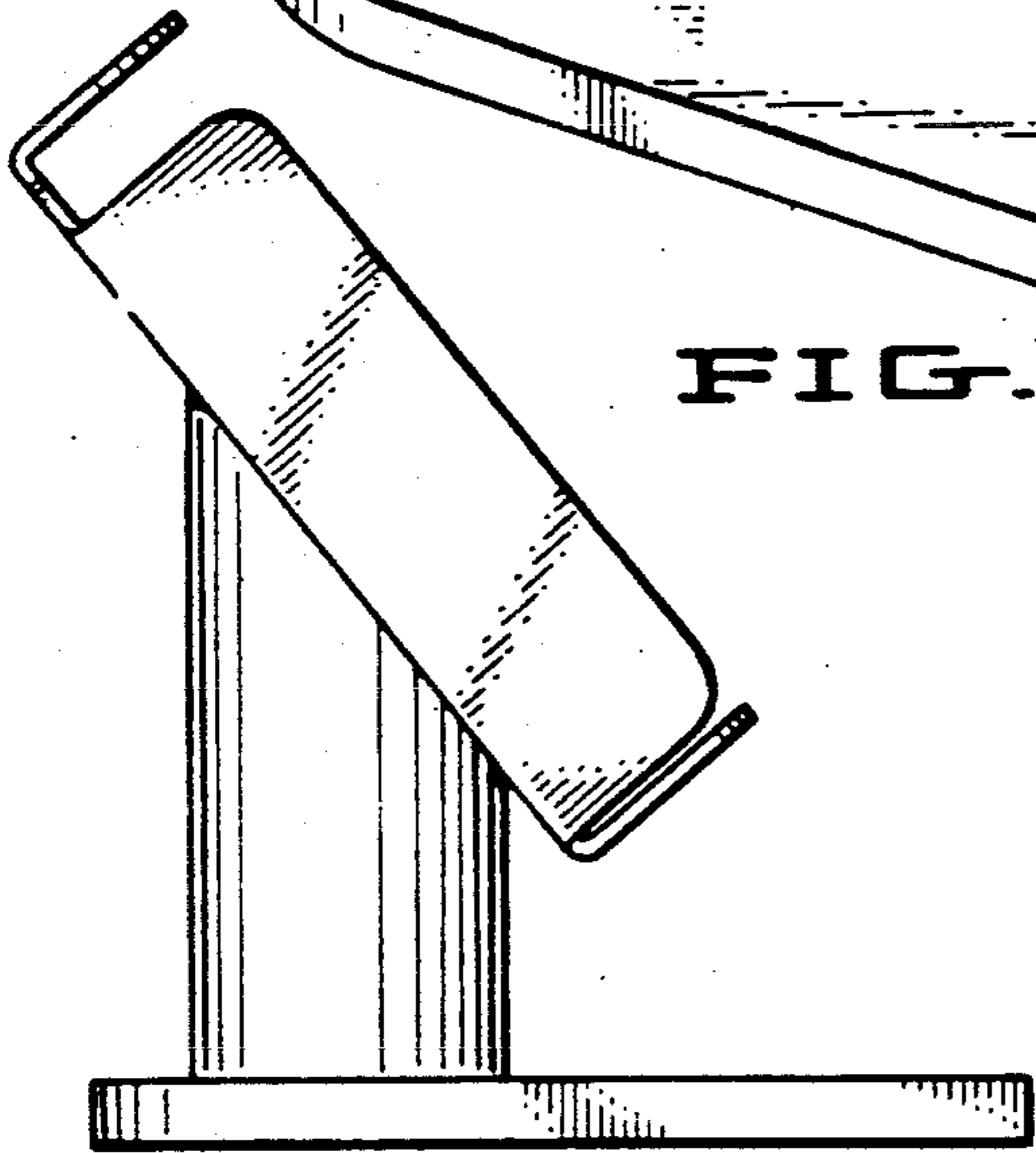


FIG. 3.

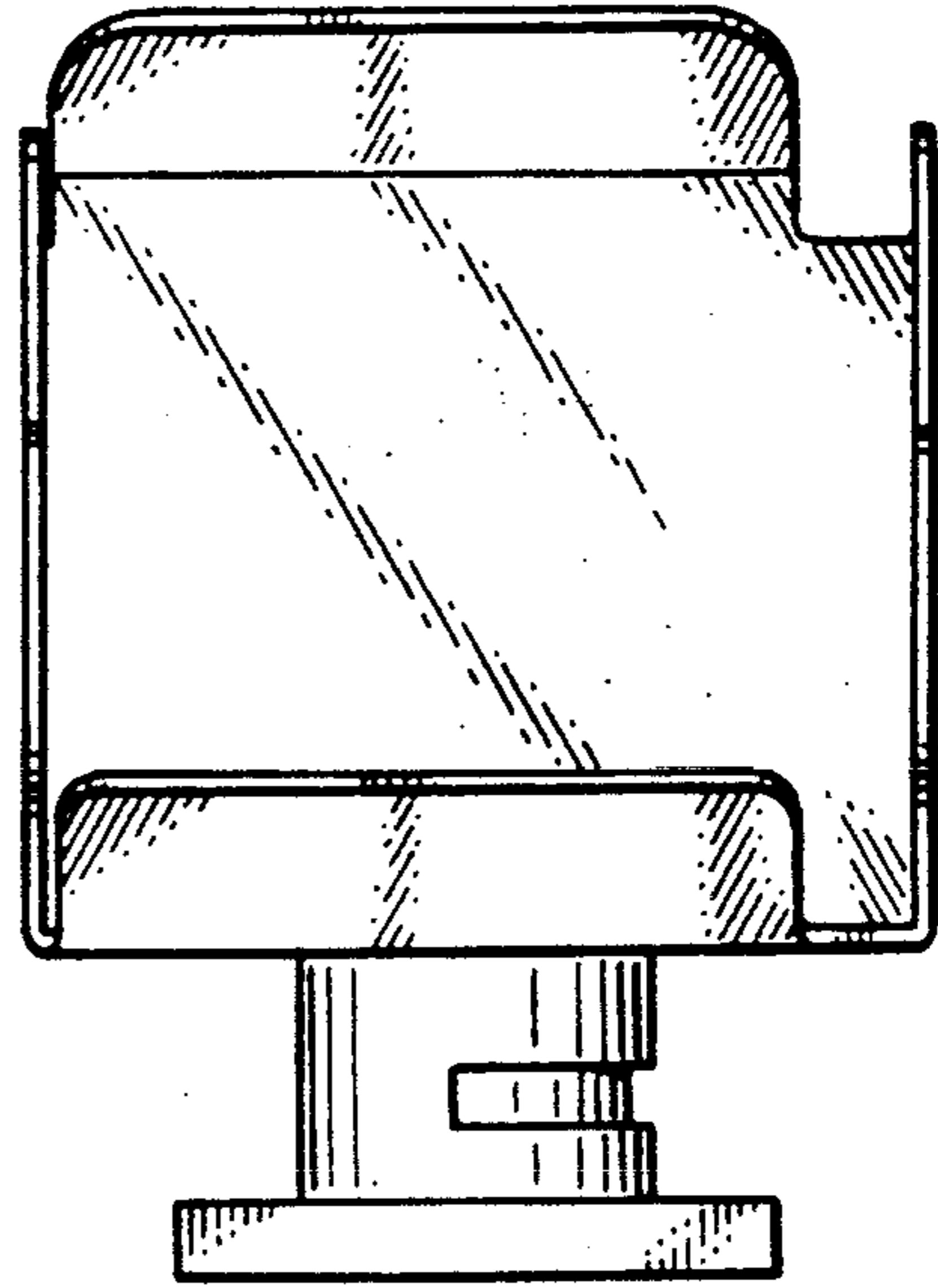


FIG. 4.

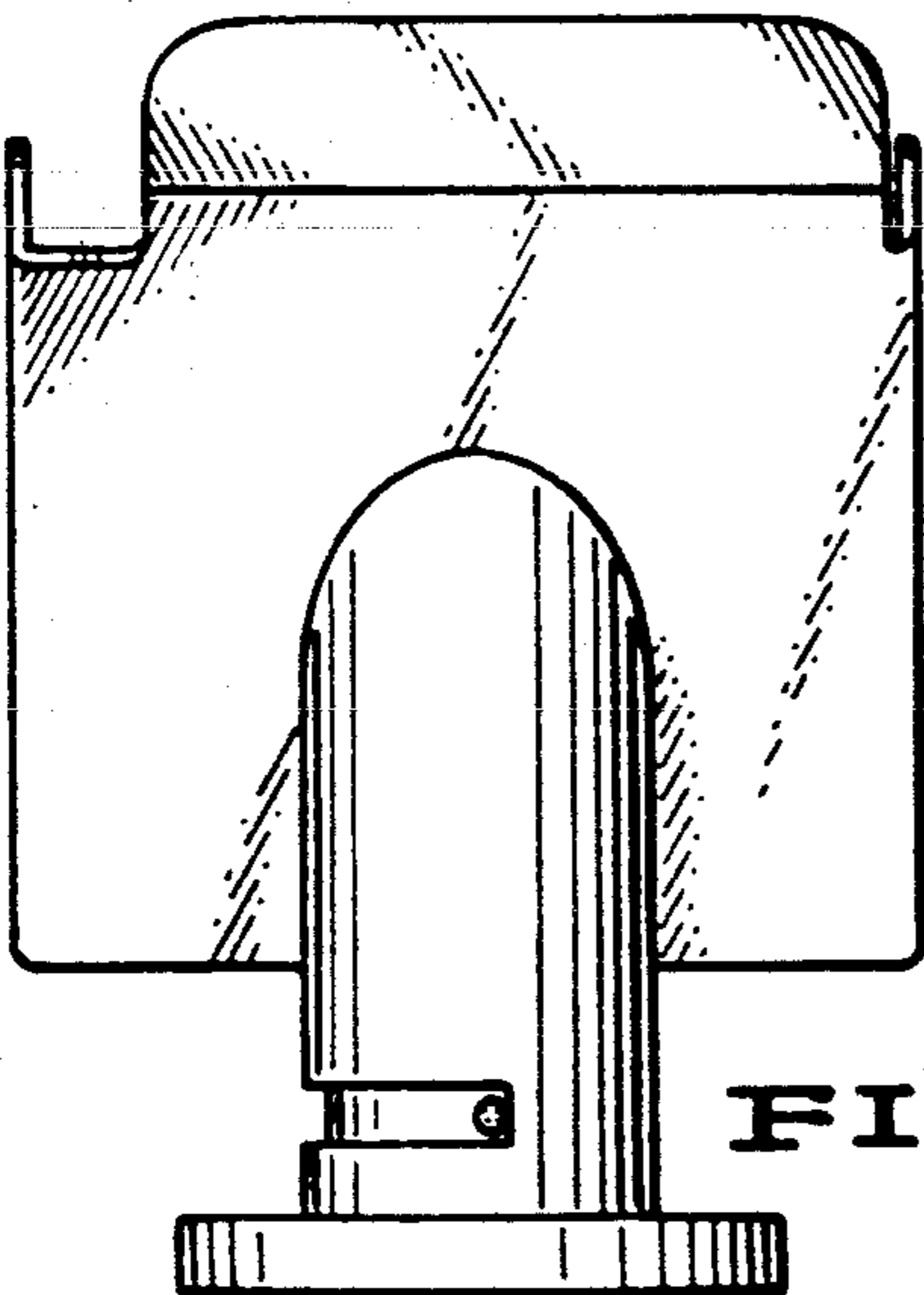


FIG. 5.

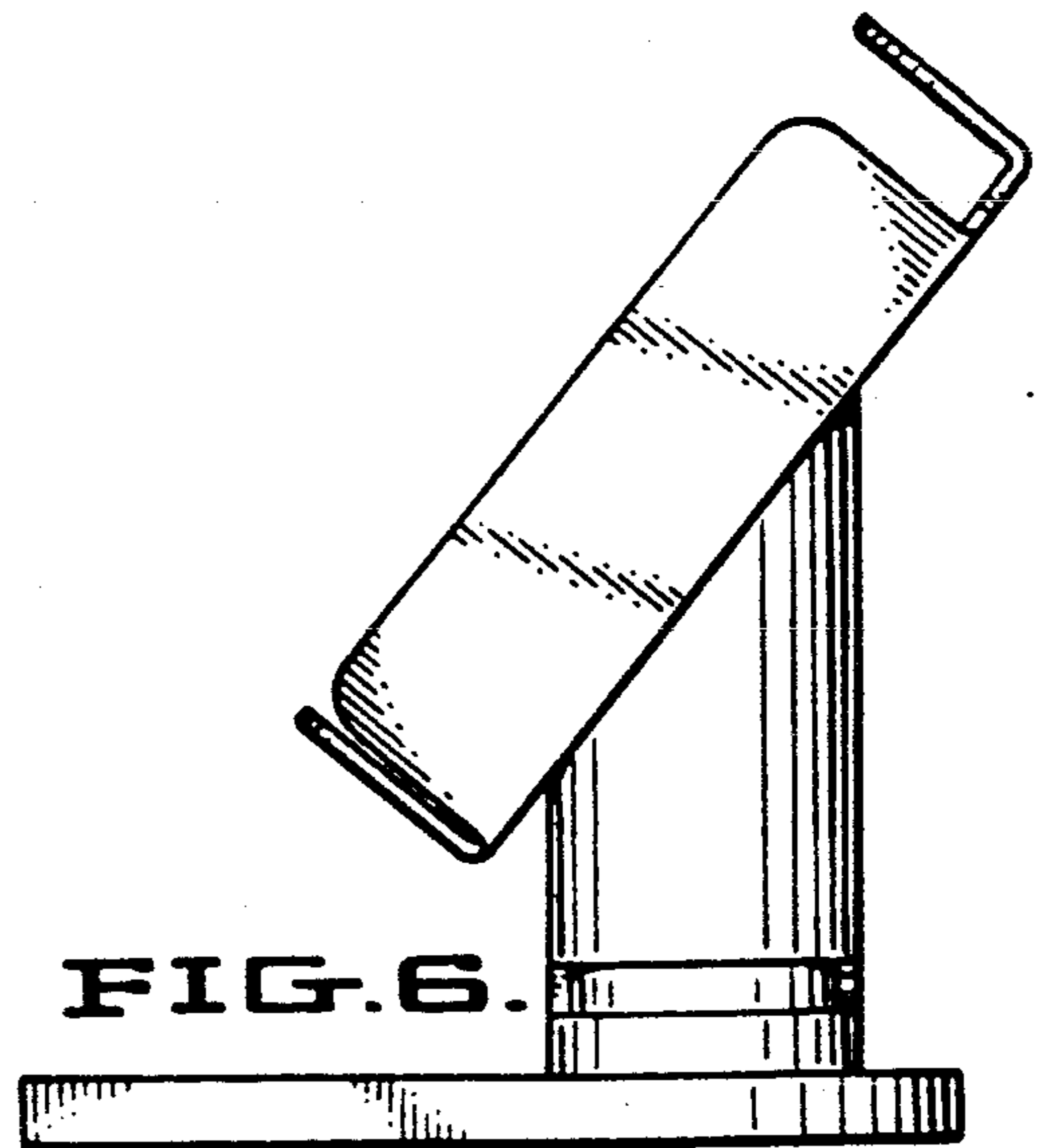


FIG. 6.