



US00D323081S

**United States Patent** [19]  
**Schaffer**

[11] **Patent Number: Des. 323,081**  
[45] **Date of Patent: \*\* Jan. 14, 1992**

[54] **AMPLIFIED KEYBOARD STAND**  
[75] **Inventor: Rodney M. Schaffer, St. Petersburg, Fla.**  
[73] **Assignee: Innovations of Tampa Bay, Inc., Largo, Fla.**  
[\*\*] **Term: 14 Years**  
[21] **Appl. No.: 367,699**  
[22] **Filed: Jun. 19, 1989**  
[52] **U.S. Cl. .... D6/433; D17/9**  
[58] **Field of Search .... D6/433, 422-428, D6/421; 312/204, 297; D14/114; D17/9, 99**

D. 269,234 6/1983 Voltz ..... D6/433 X

*Primary Examiner*—Bruce W. Dunkins  
*Assistant Examiner*—Jeffrey Asch  
*Attorney, Agent, or Firm*—Walter J. Monacelli

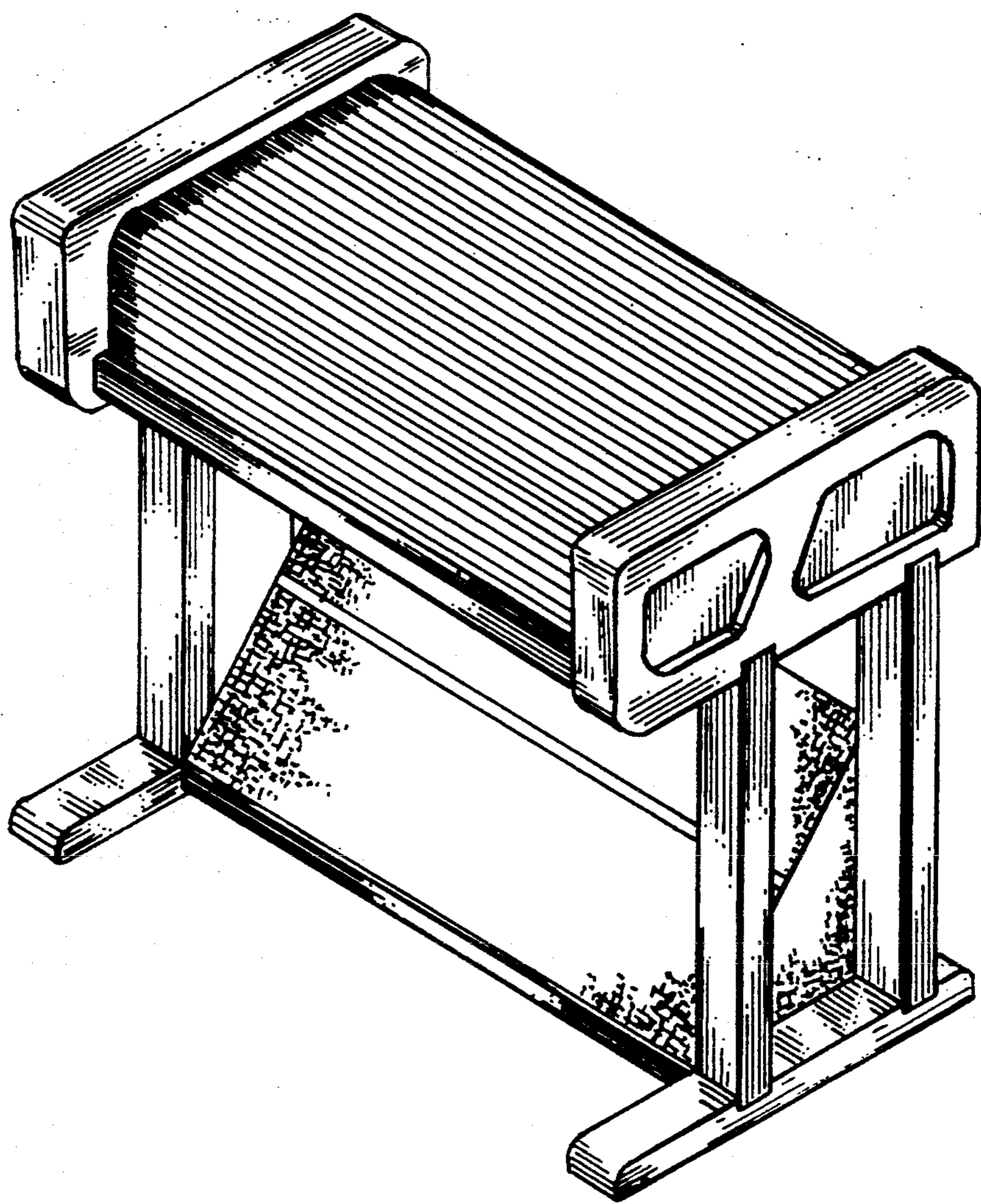
[57] **CLAIM**

The ornamental design for an amplified keyboard stand, as shown and described.

**DESCRIPTION**

FIG. 1 is a perspective view of an amplified keyboard stand showing my new design, the opposite side being a mirror image thereof;  
FIG. 2 is a perspective view with the roll top in closed position, the opposite side being a mirror image thereof;  
FIG. 3 is a top plan view of FIG. 1;  
FIG. 4 is a top plan view of FIG. 2;  
FIG. 5 is a front elevational view of FIG. 1; and  
FIG. 6 is a right side elevational view of FIG. 1.

[56] **References Cited**  
**U.S. PATENT DOCUMENTS**  
D. 191,170 8/1961 Draper, Jr. .... D6/433





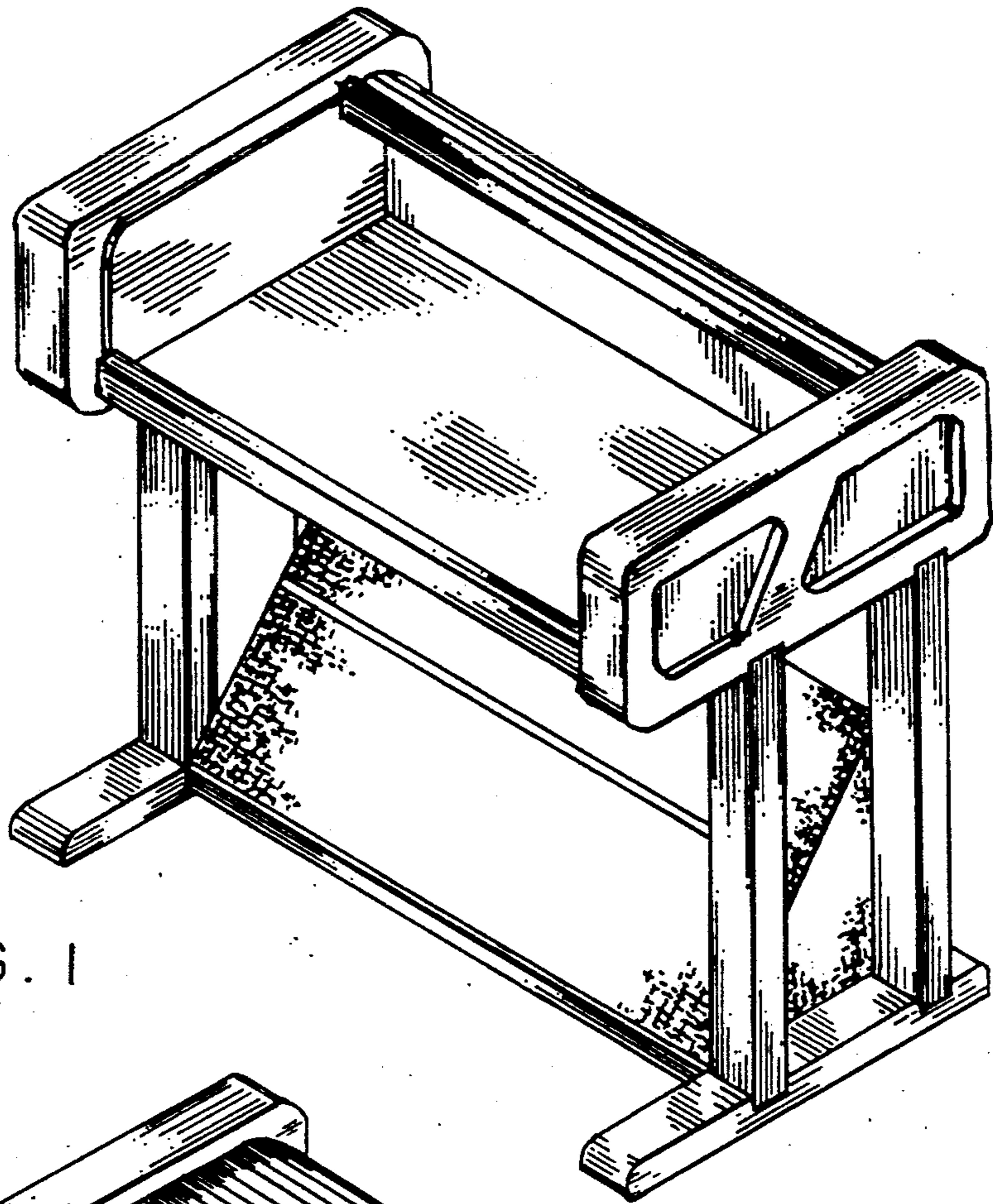


FIG. 1

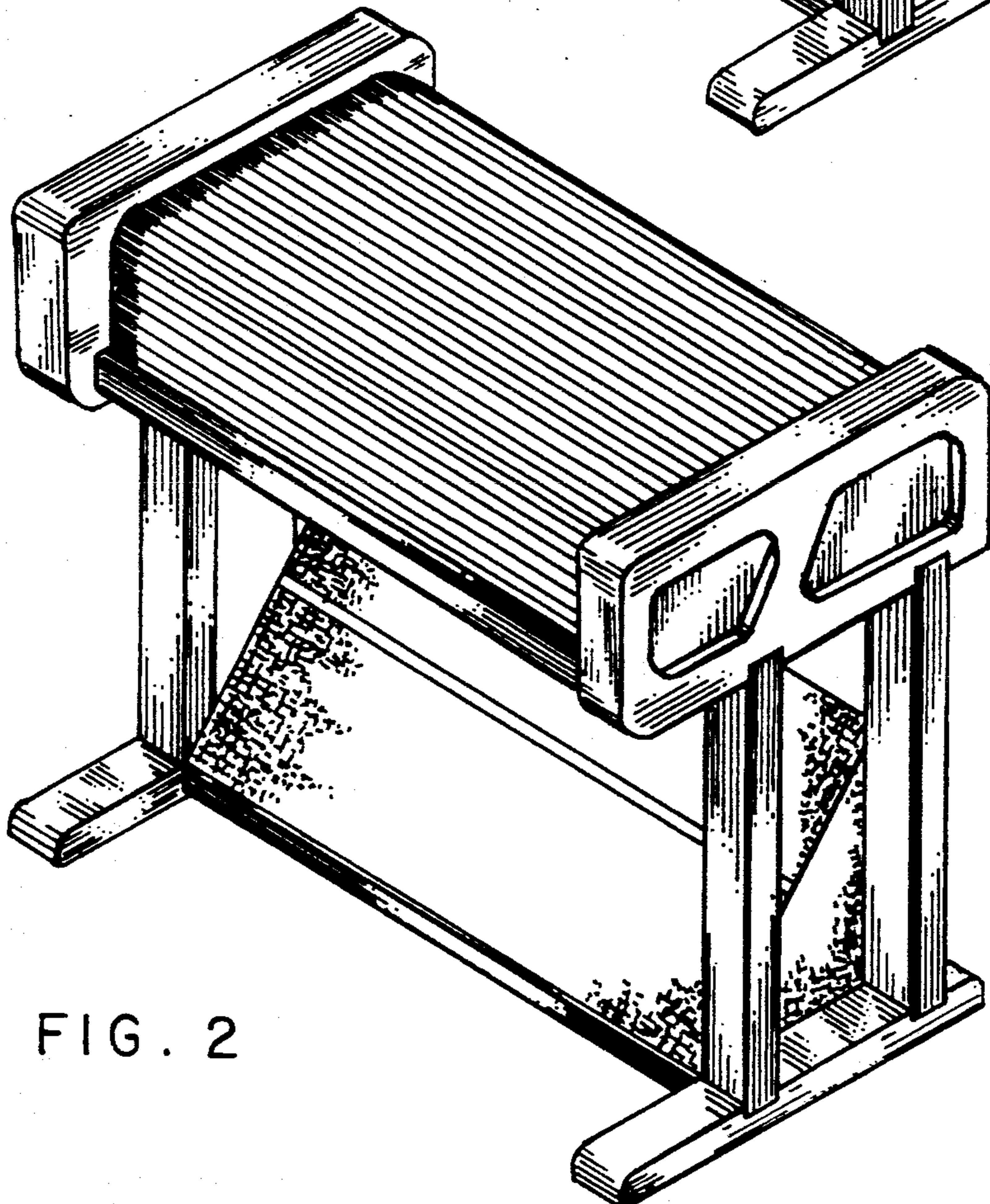


FIG. 2

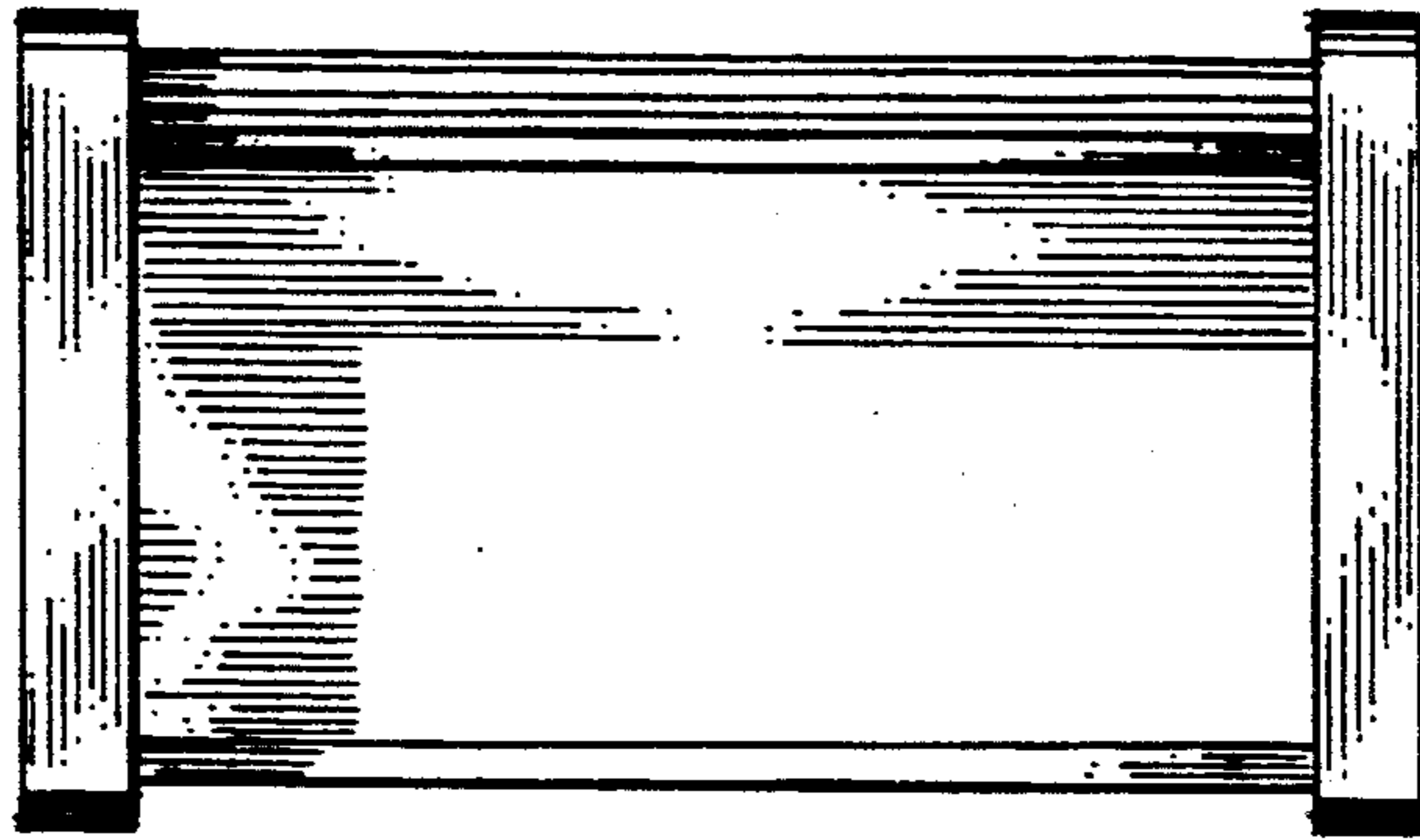


FIG. 3

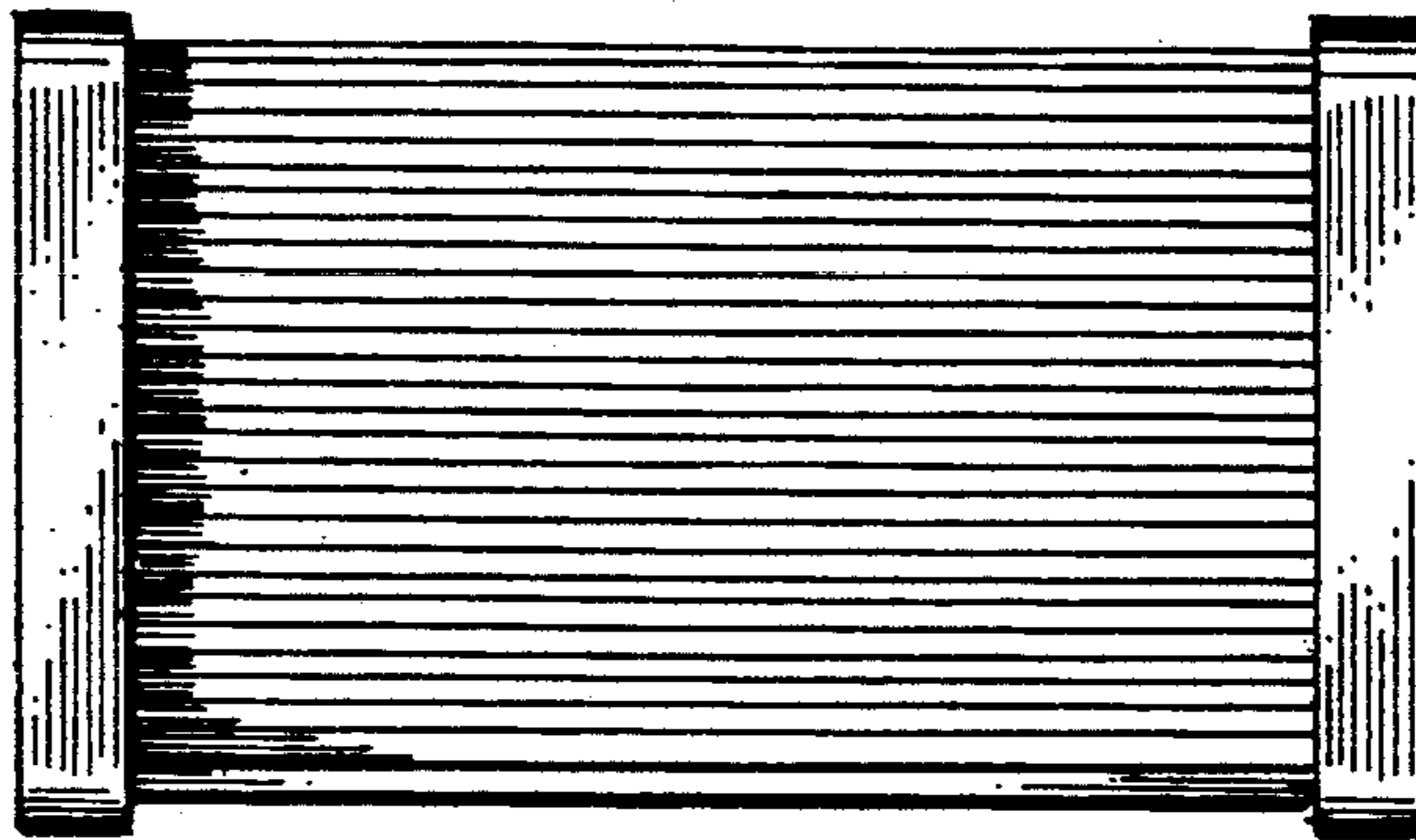


FIG. 4

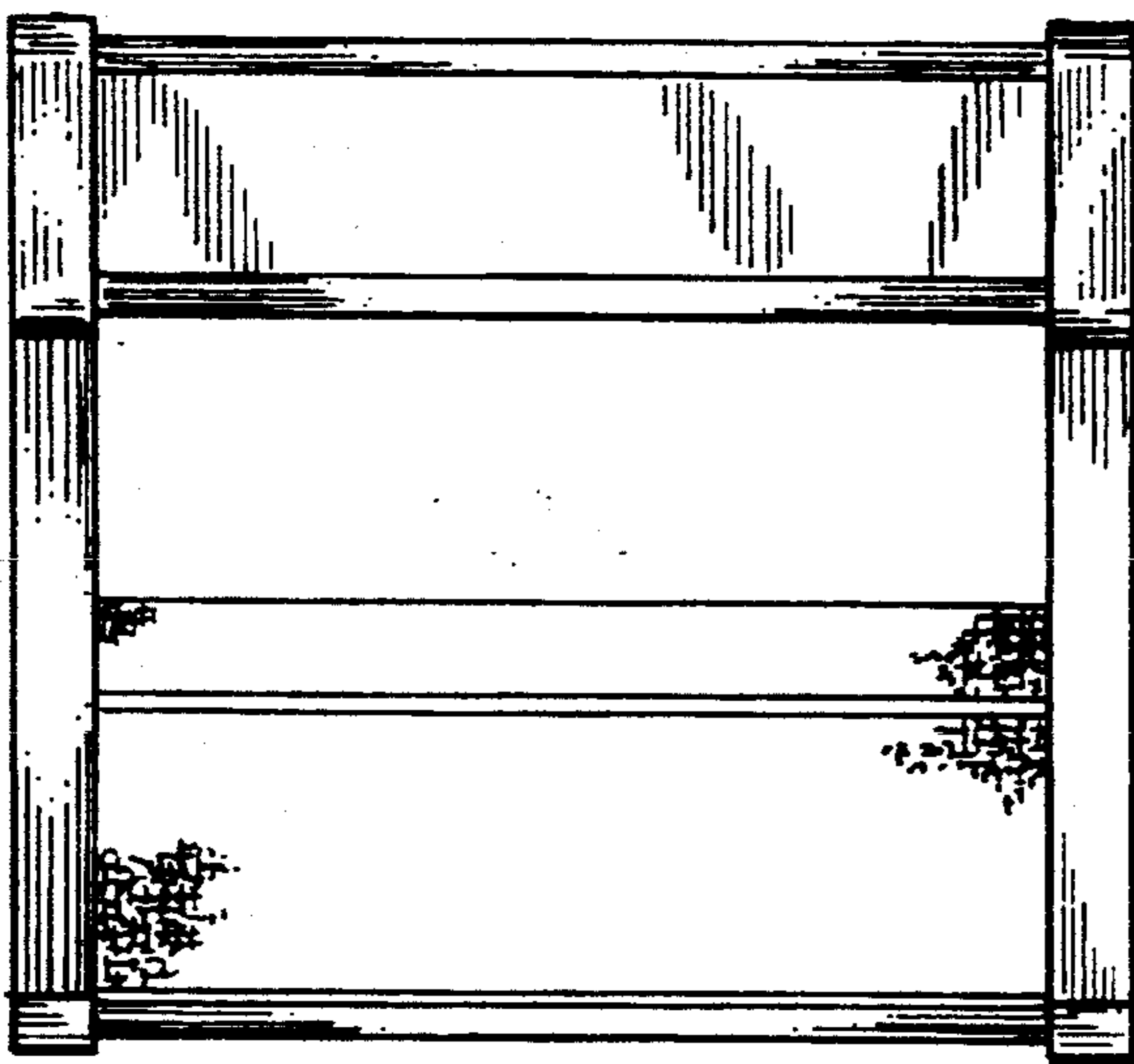


FIG. 5

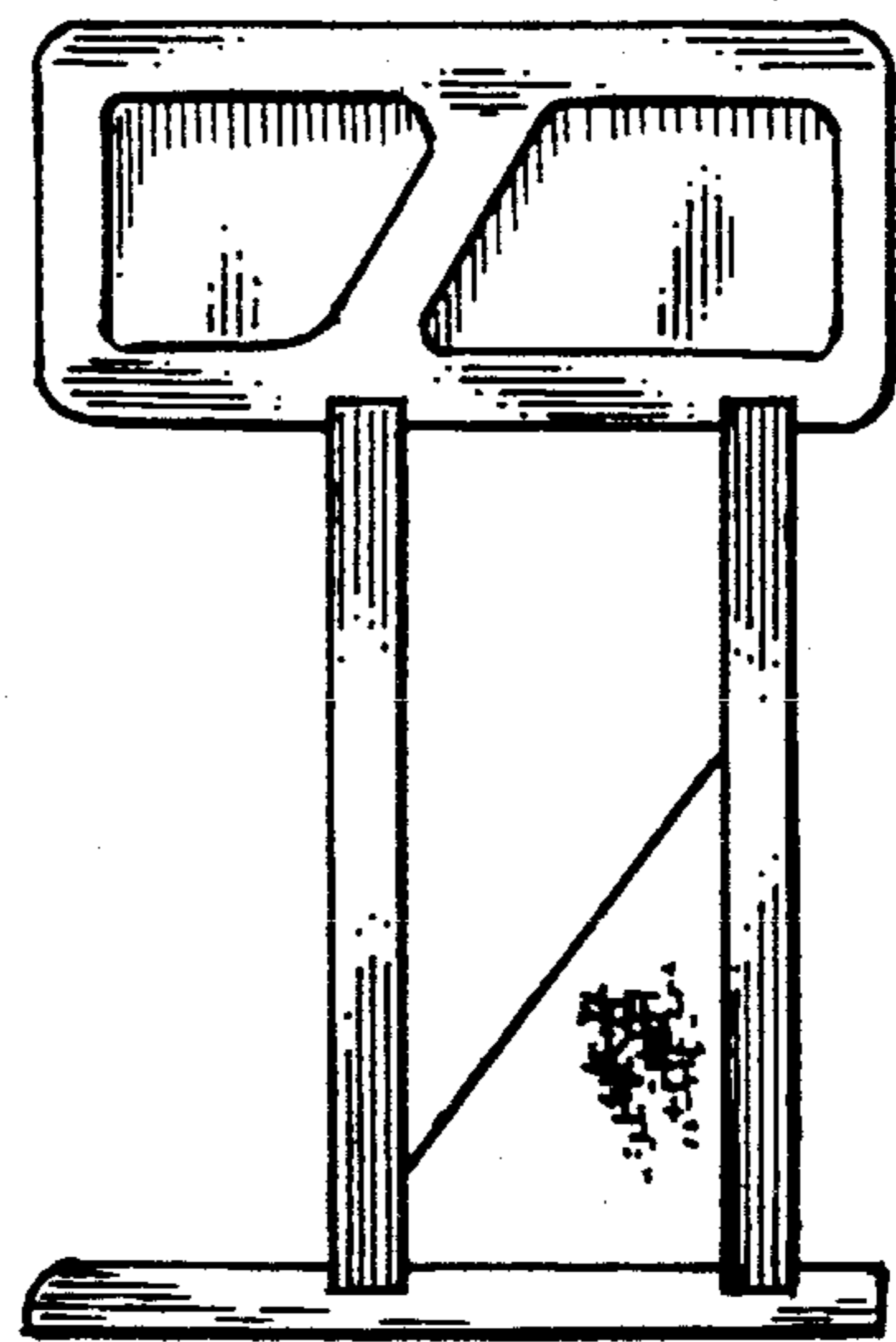


FIG. 6