



US00D323078S

United States Patent [19] Edwards

[11] Patent Number: **Des. 323,078**

[45] Date of Patent: **** Jan. 14, 1992**

[54] CHAIR

D. 318,586 7/1991 Kleinschmidt D6/487

[75] Inventor: **Thomas M. Edwards**, Wyoming, Mich.

[73] Assignee: **Herman Miller, Inc.**, Zeeland, Mich.

[**] Term: **14 Years**

[21] Appl. No.: **724,341**

[22] Filed: **Jun. 28, 1991**

Related U.S. Application Data

[62] Division of Ser. No. 262,665, Oct. 25, 1988.

[52] U.S. Cl. **D6/379; D6/334**

[58] Field of Search **D7/334, 379, 499, 500, D7/501, 487**

[56] References Cited

U.S. PATENT DOCUMENTS

D. 12,226	4/1881	Penchard	D6/366
D. 182,427	4/1958	McCarthy et al.	D6/379
D. 305,389	1/1990	Bellini	D6/379
D. 316,192	4/1991	Murry et al.	D6/366
D. 316,937	5/1991	Murry	D6/366

OTHER PUBLICATIONS

S. Bent & Brothers, Inc., Early American Chairs, Chair #312 at top right.

Carsons, Table leg at far left bottom.

Interiors, 3/1988, p. 112, Rose Johnson chair at bottom left.

Primary Examiner—Bruce W. Dunkins

Assistant Examiner—Gary D. Watson

Attorney, Agent, or Firm—Varnum, Riddering, Schmidt & Howlett

[57] CLAIM

The ornamental design for a chair, as shown and described.

DESCRIPTION

FIG. 1 is a front elevational view of a chair showing my new design;

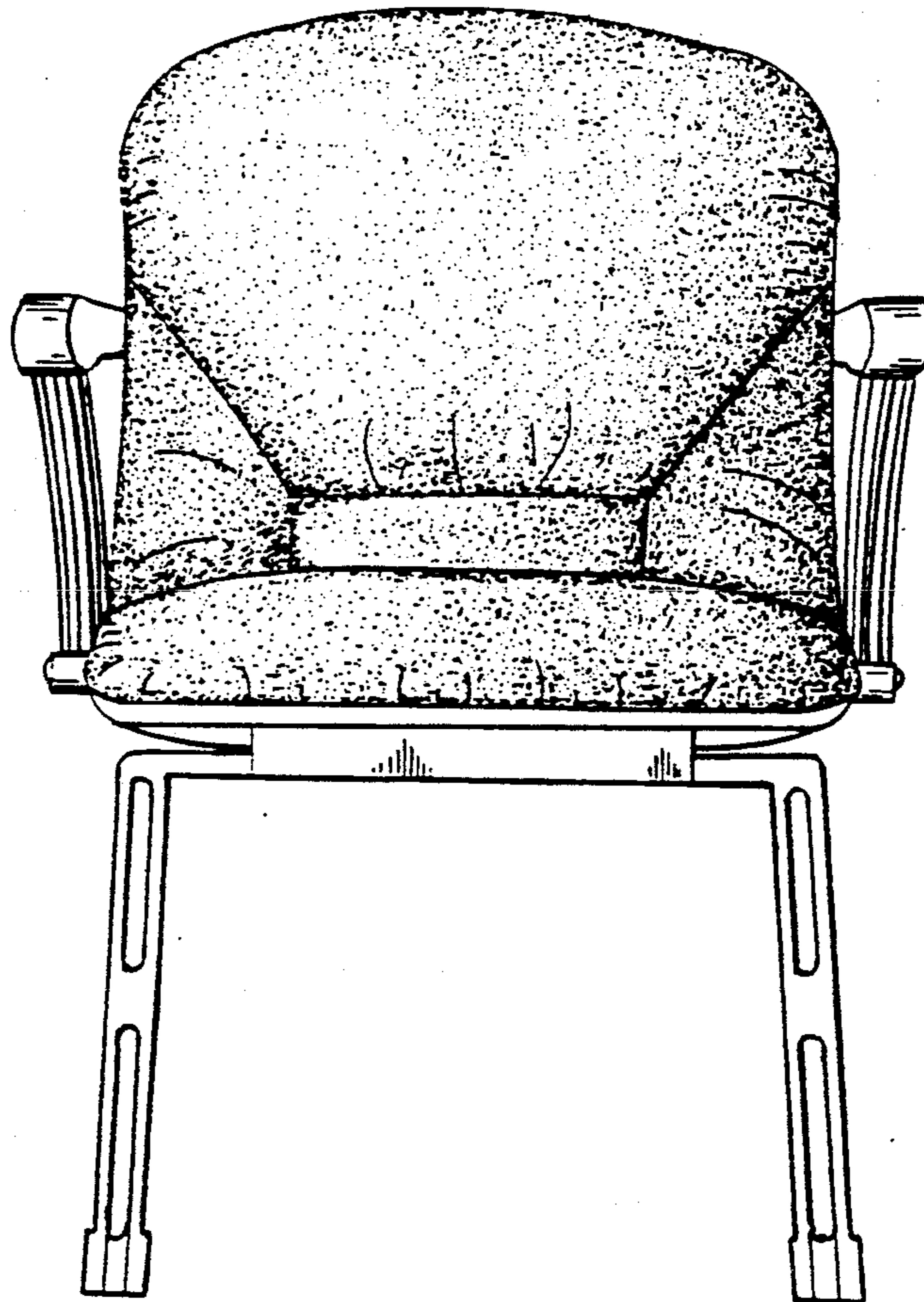
FIG. 2 is a rear elevational view;

FIG. 3 is a left side elevational view;

FIG. 4 is a right side elevational view;

FIG. 5 is a top plan view; and

FIG. 6 is a bottom plan view thereof.



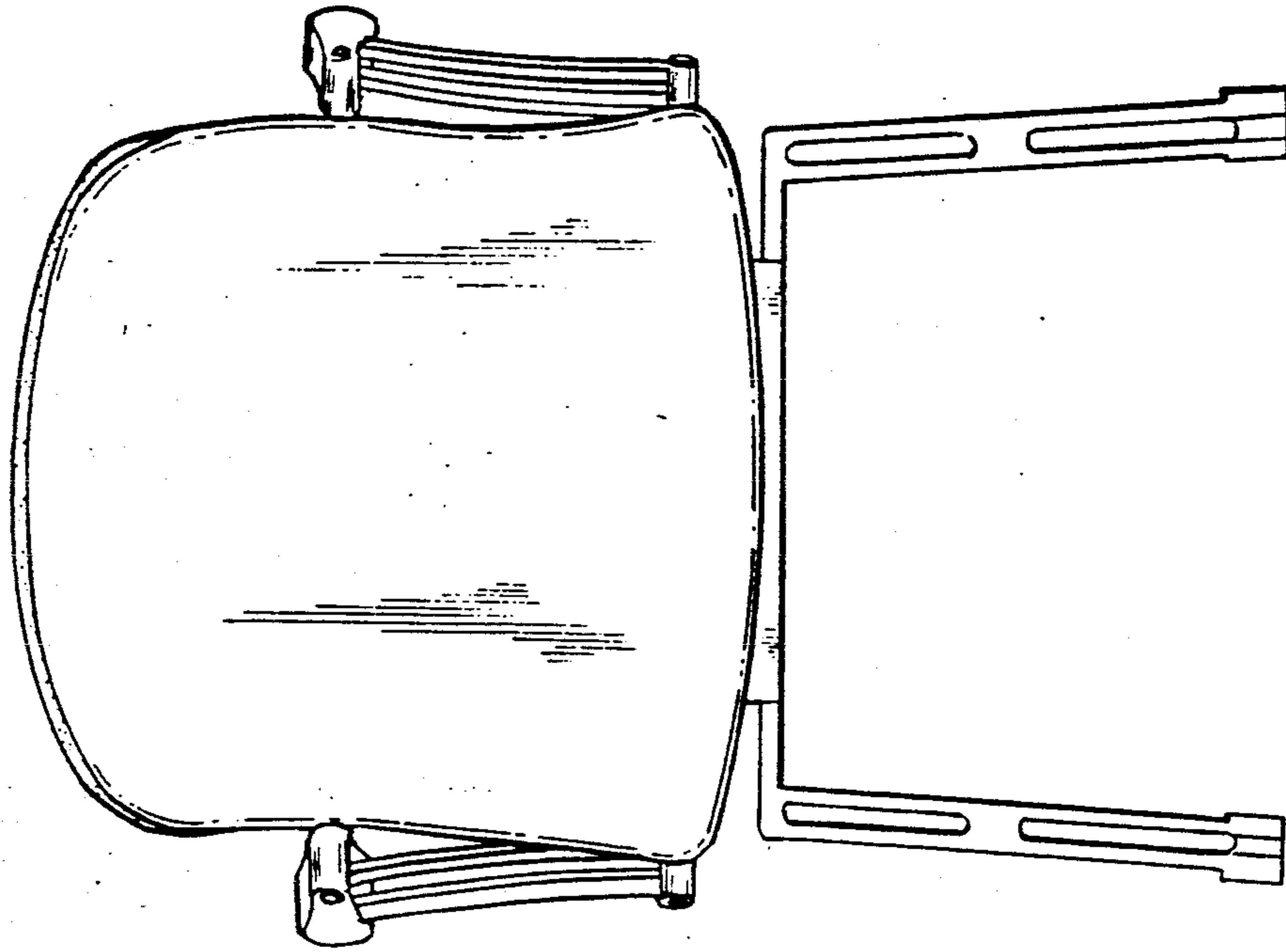


FIG. 2

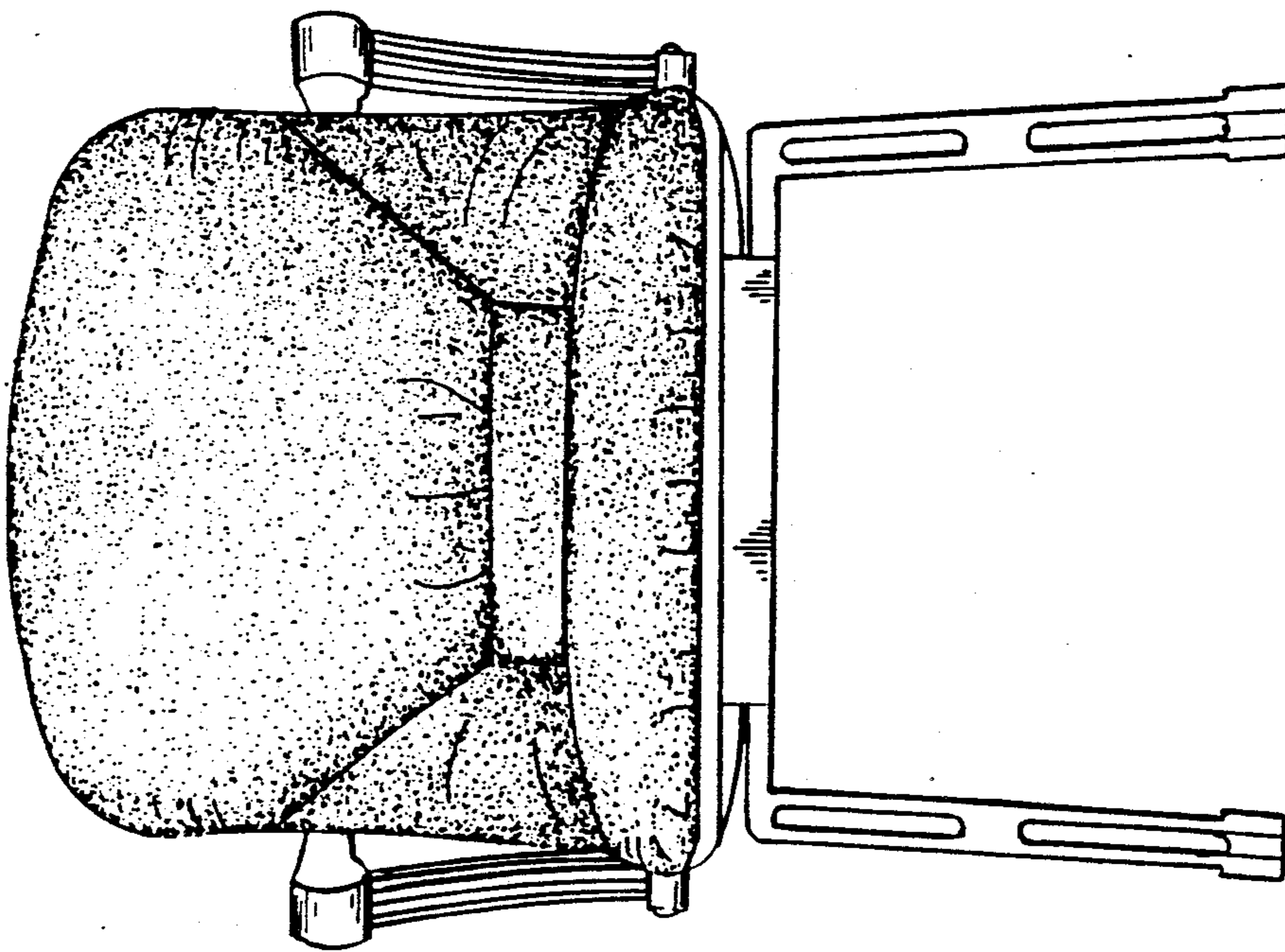


FIG. 1

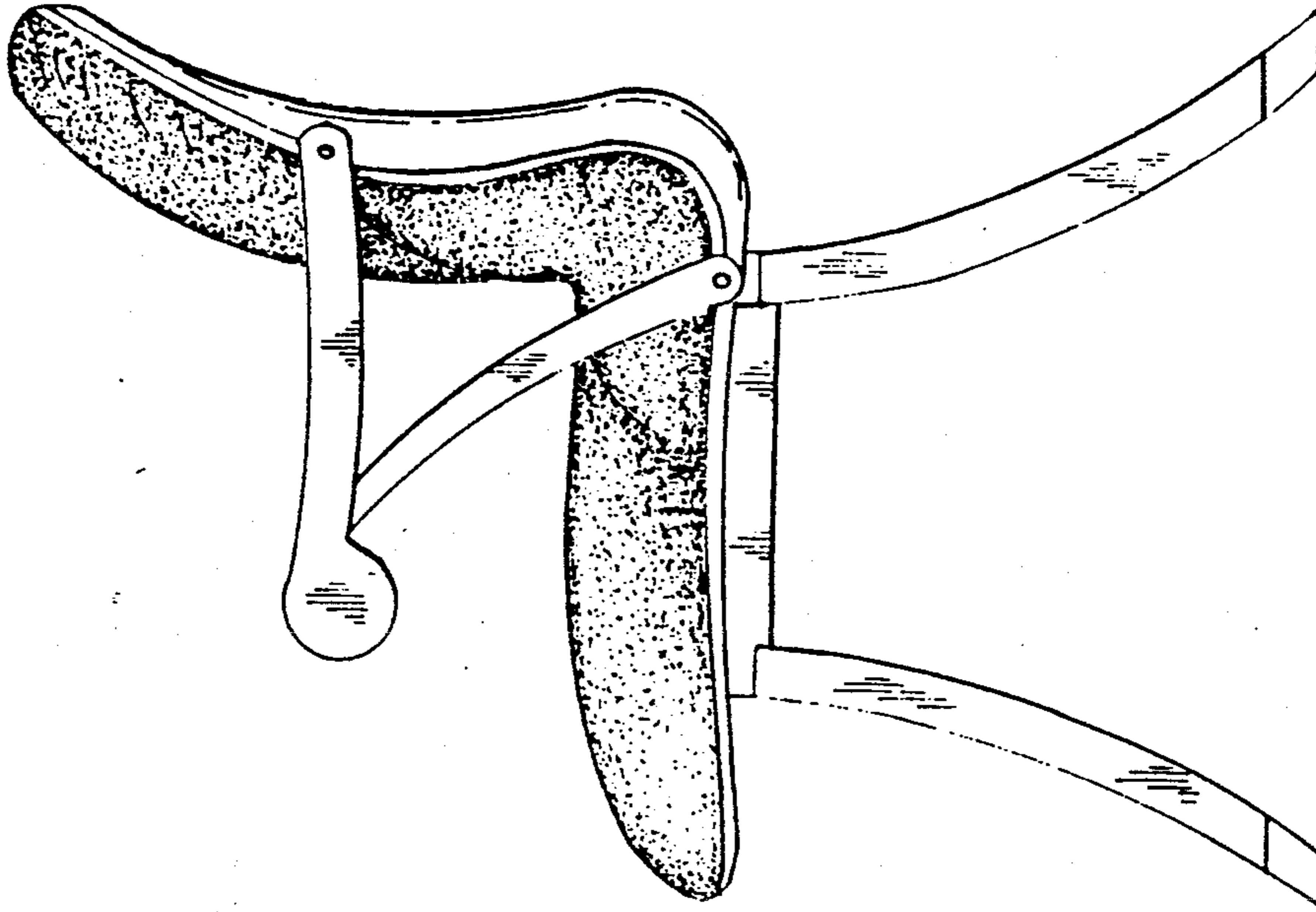


FIG. 3

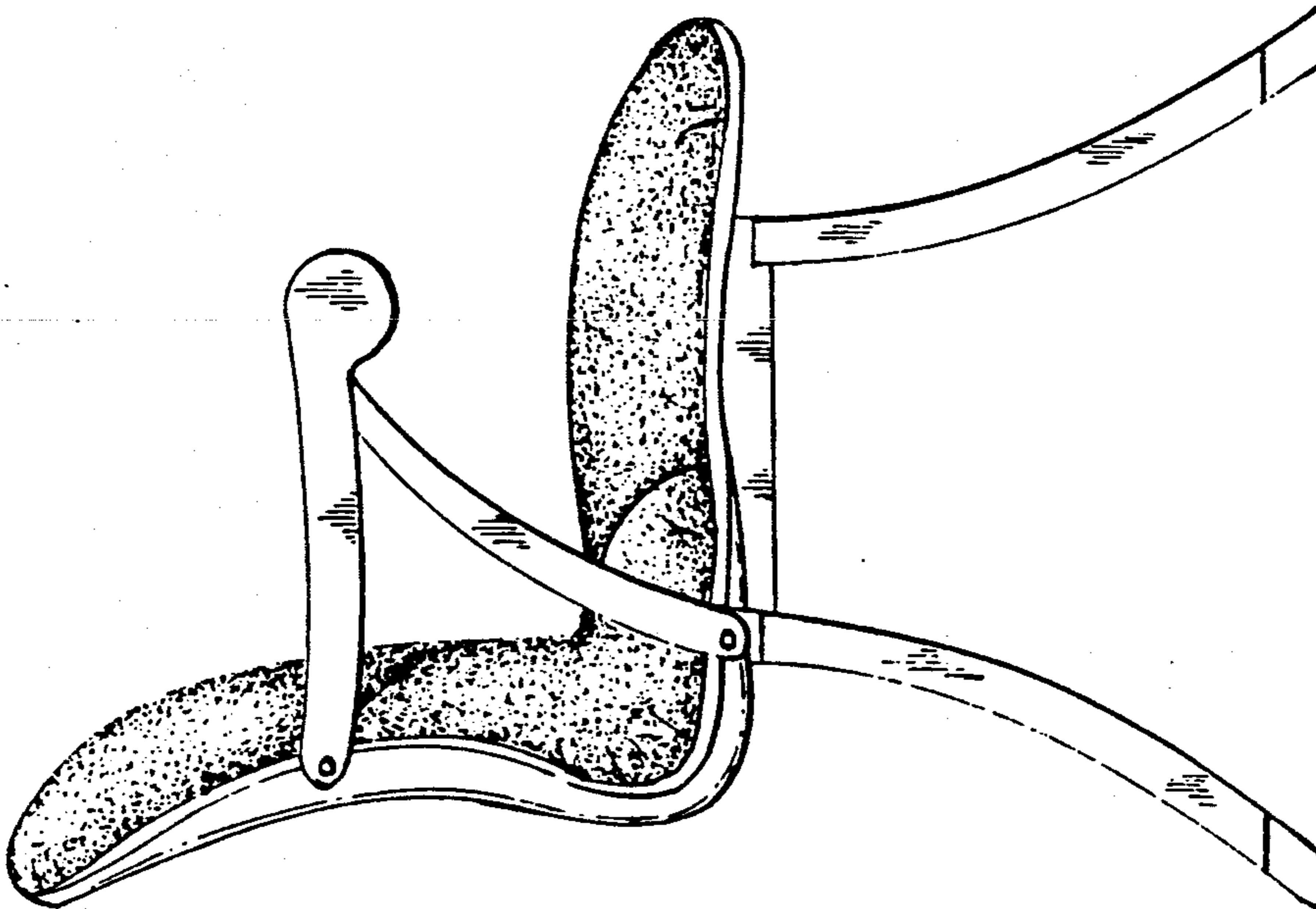


FIG. 4

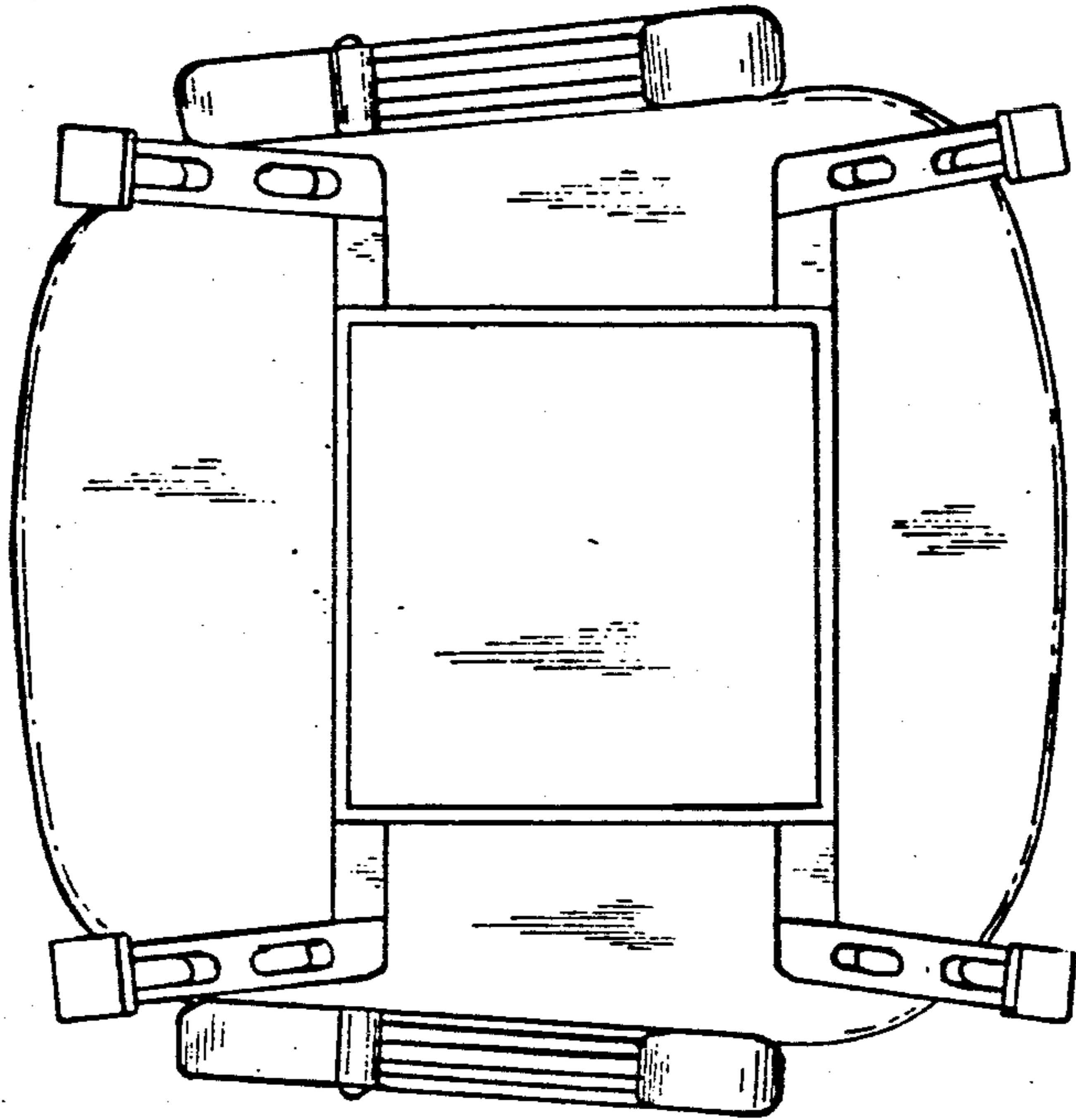


FIG. 5

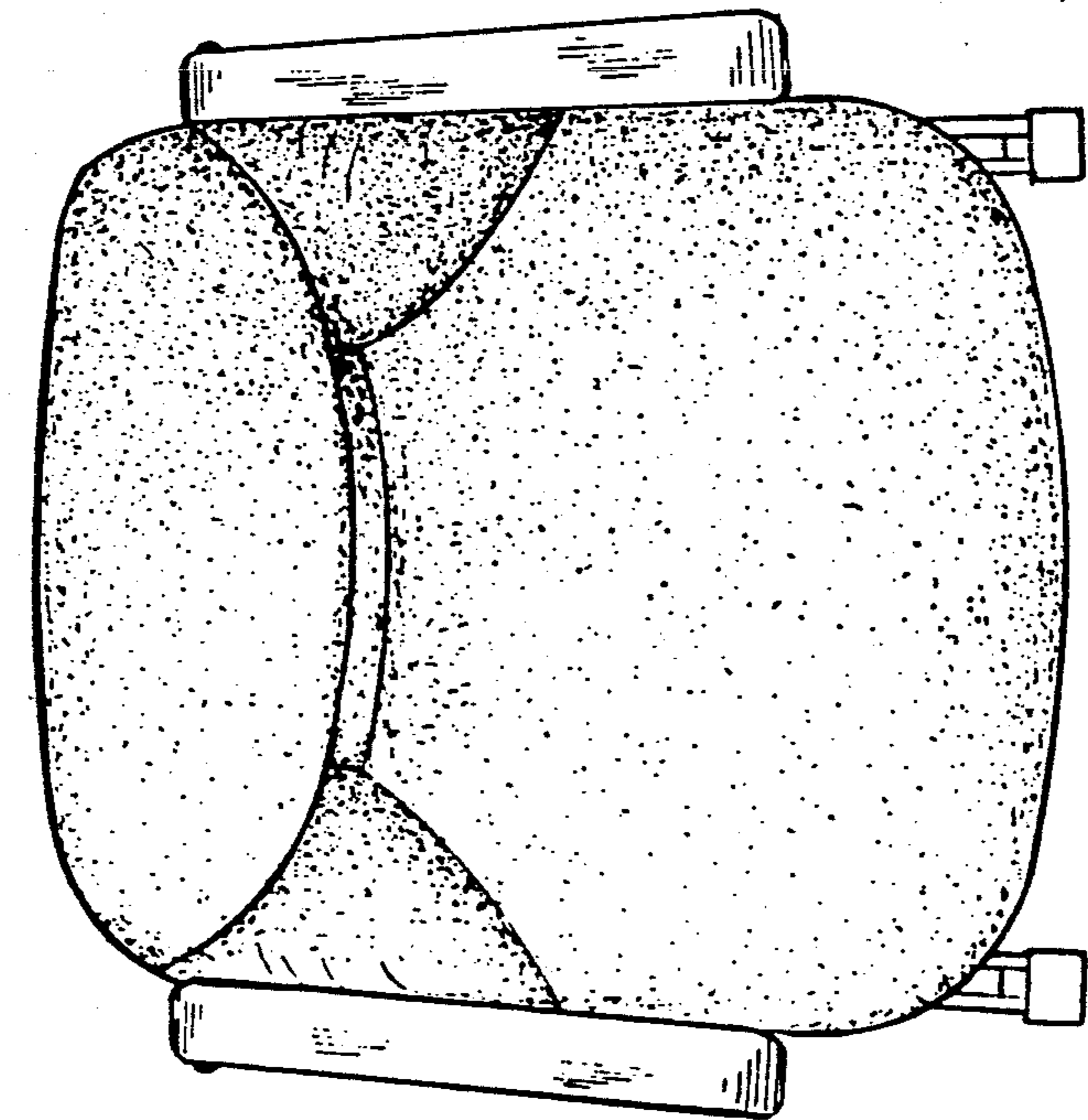


FIG. 6