



US00D323076S

United States Patent [19]

[11] Patent Number: **Des. 323,076**

Saiger

[45] Date of Patent: **** Jan. 14, 1992**

[54] **CHAIR FRAME**

[75] Inventor: **Herbert C. Saiger, Troy, Ohio**

[73] Assignee: **Crown Leisure Products, Inc., Owosso, Mich.**

[**] Term: **14 Years**

[21] Appl. No.: **243,641**

[22] Filed: **Sep. 9, 1988**

[52] U.S. Cl. **D6/369; D6/379; D6/380**

[58] Field of Search **D6/334, 369, 370, 371, D6/372, 376, 379, 380, 500**

[56] **References Cited**

U.S. PATENT DOCUMENTS

D. 105,931	9/1937	Adams	D6/370
D. 234,240	2/1975	Noda et al.	D6/379
D. 256,525	8/1980	Schuster	D6/371 X
D. 270,594	9/1983	Claman	D6/369
D. 289,949	5/1987	Tron	D6/376

OTHER PUBLICATIONS

Bloomington, chair at top left.
Interiors, 5/1985, p. 94, Beck/Casala chair, center page.
Brown Jordan, 1986, p. 39, chair "E" shown bottom right.

Brown Jordan, pre Jan. 1987, Bar stools pictured mid-page.

House Beautiful, 5/1988, Tropitone chair pictured bottom right.

Primary Examiner—Bruce W. Dunkins

Assistant Examiner—Gary D. Watson

Attorney, Agent, or Firm—Learman & McCulloch

[57] **CLAIM**

The ornamental design for a chair frame, as shown and described.

DESCRIPTION

FIG. 1 is a rear perspective view of a chair frame showing my new design;

FIG. 2 is a side elevational view thereof, the view from the opposite side being identical;

FIG. 3 is a front elevational view;

FIG. 4 is a rear elevational view;

FIG. 5 is a top plan view;

FIG. 6 is a bottom plan view;

FIG. 7 is a rear perspective view of a second embodiment of a chair frame showing my new design;

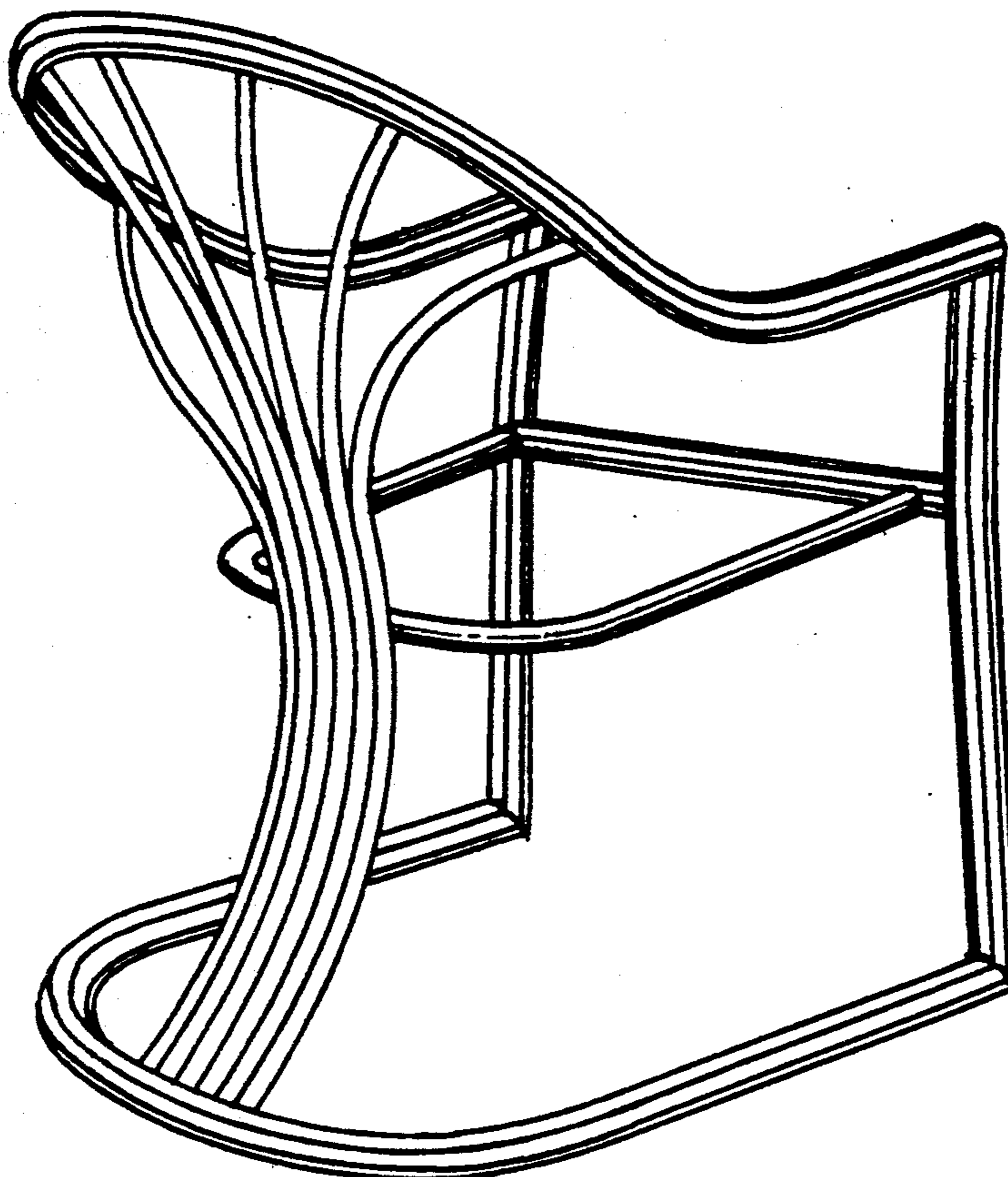
FIG. 8 is a side elevational view thereof, the view from the opposite being identical;

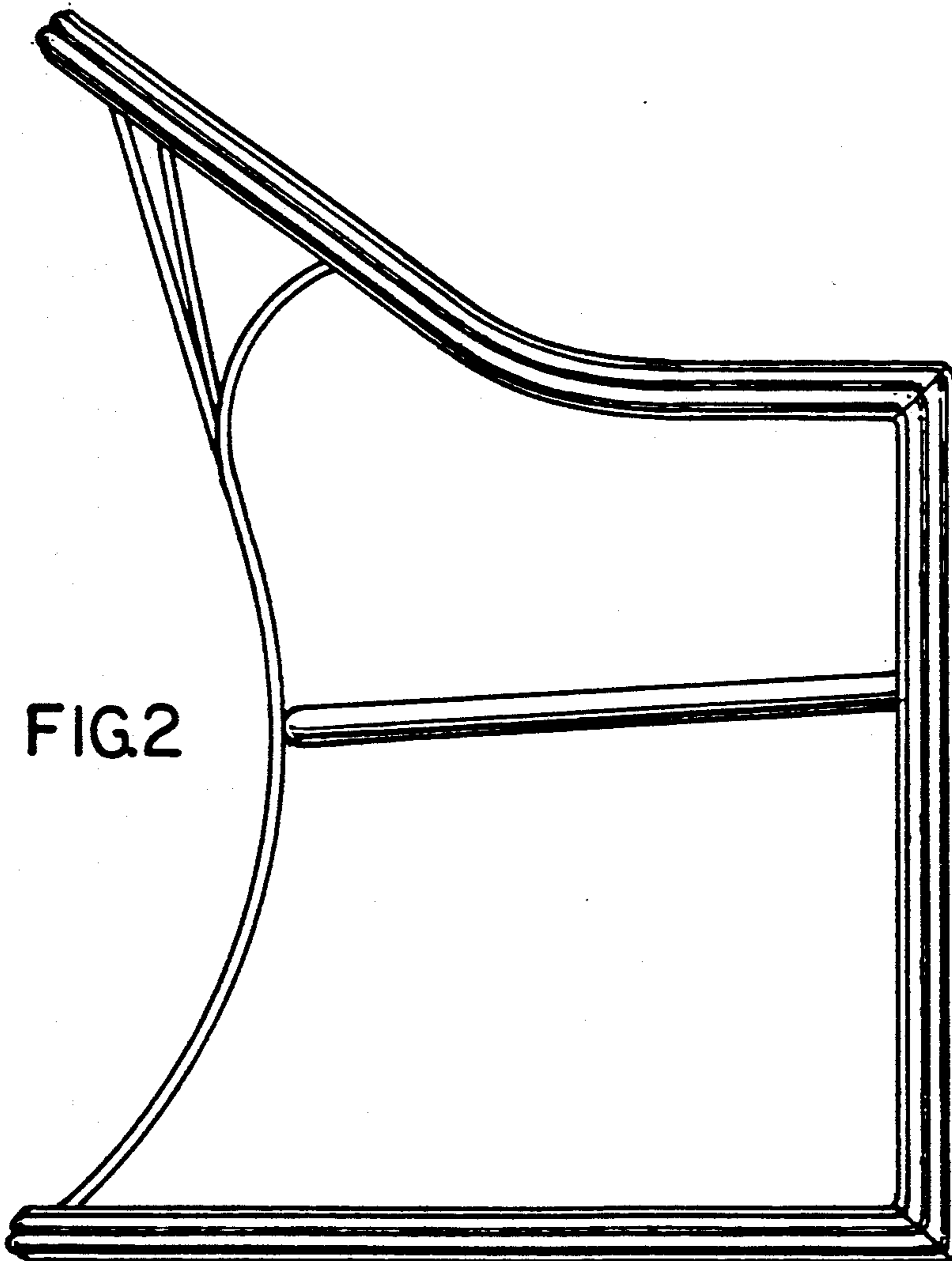
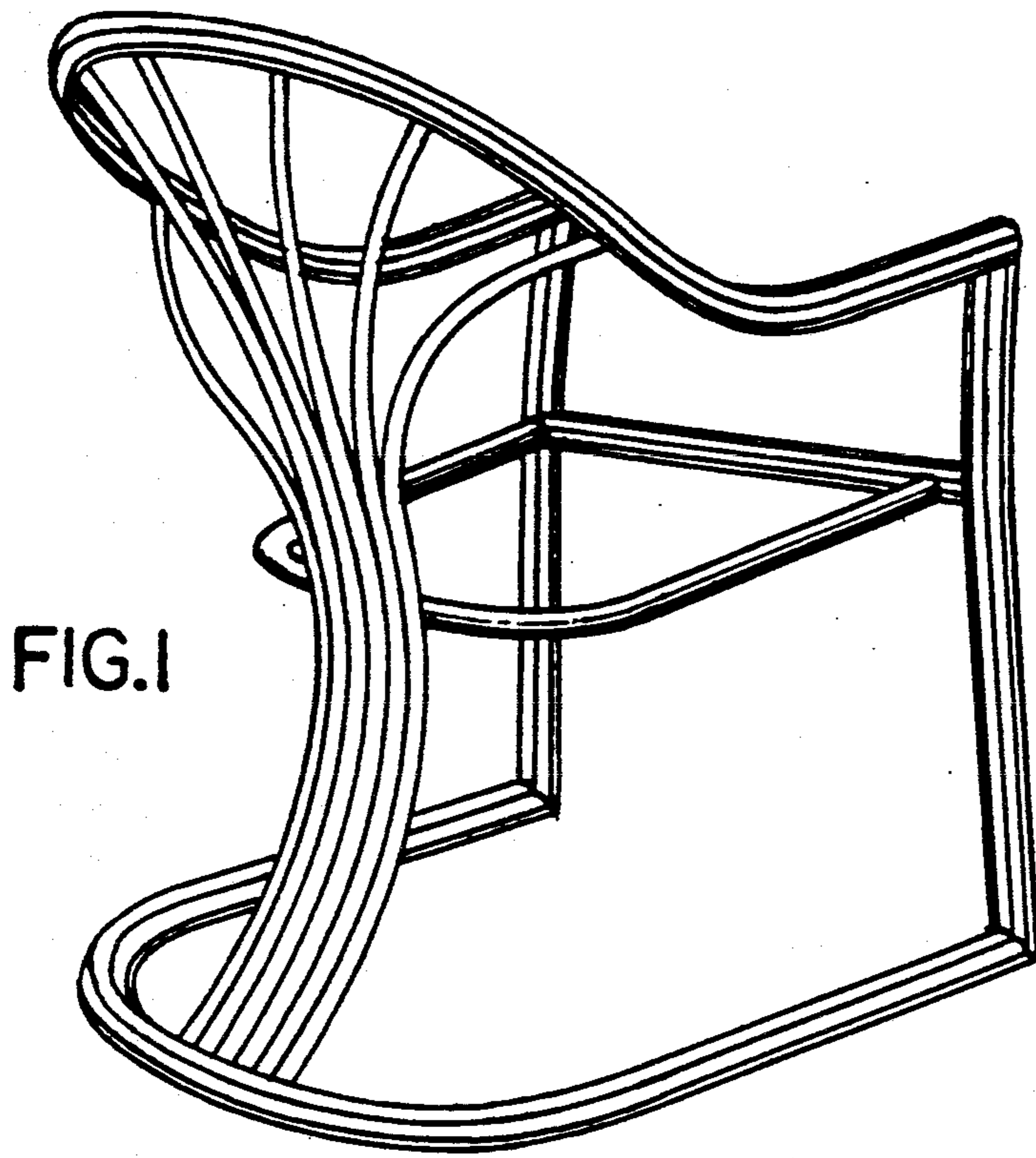
FIG. 9 is a front elevational view;

FIG. 10 is a rear elevational view;

FIG. 11 is a top plan view; and

FIG. 12 is a bottom plan view thereof.





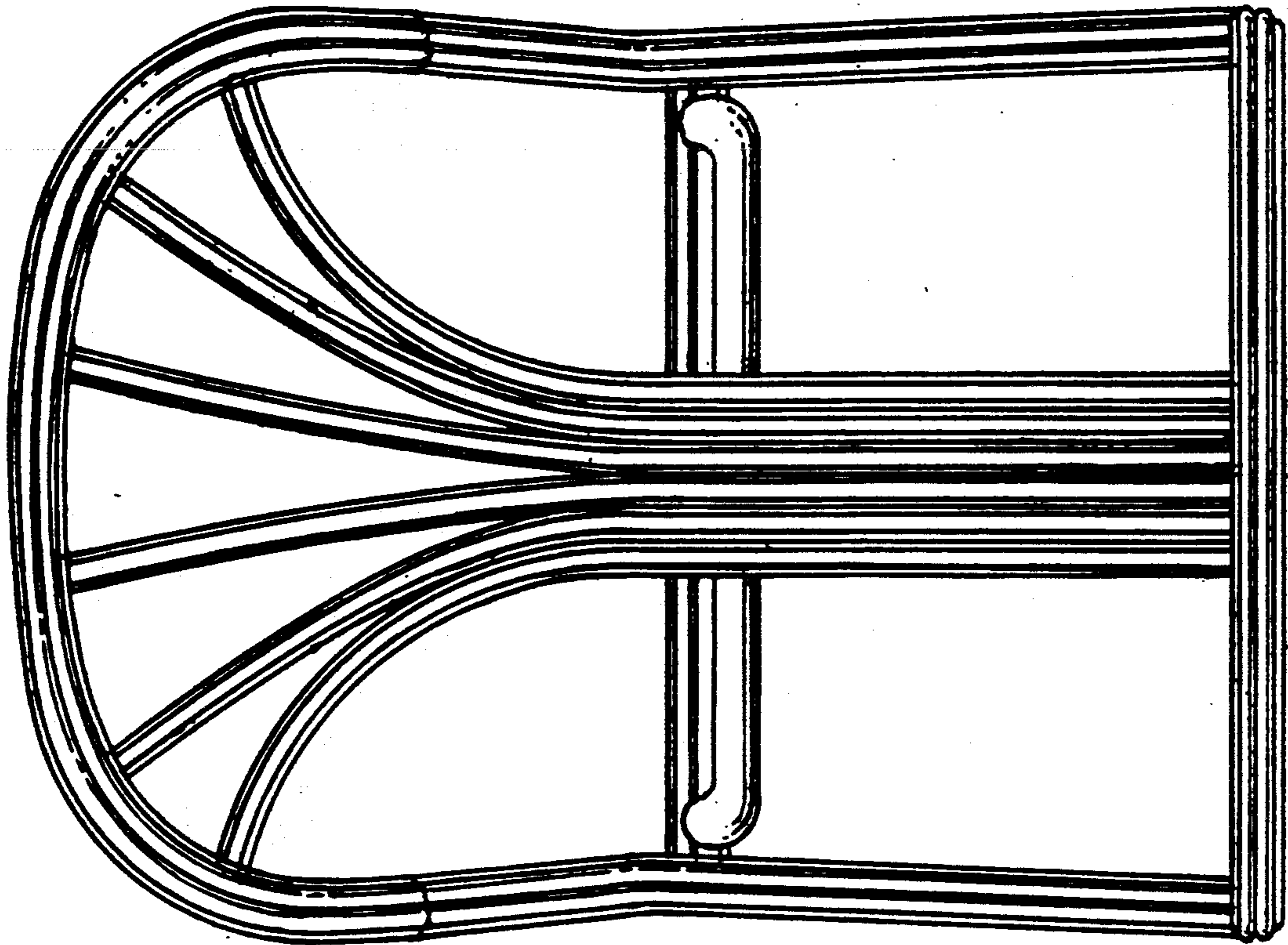


FIG. 3

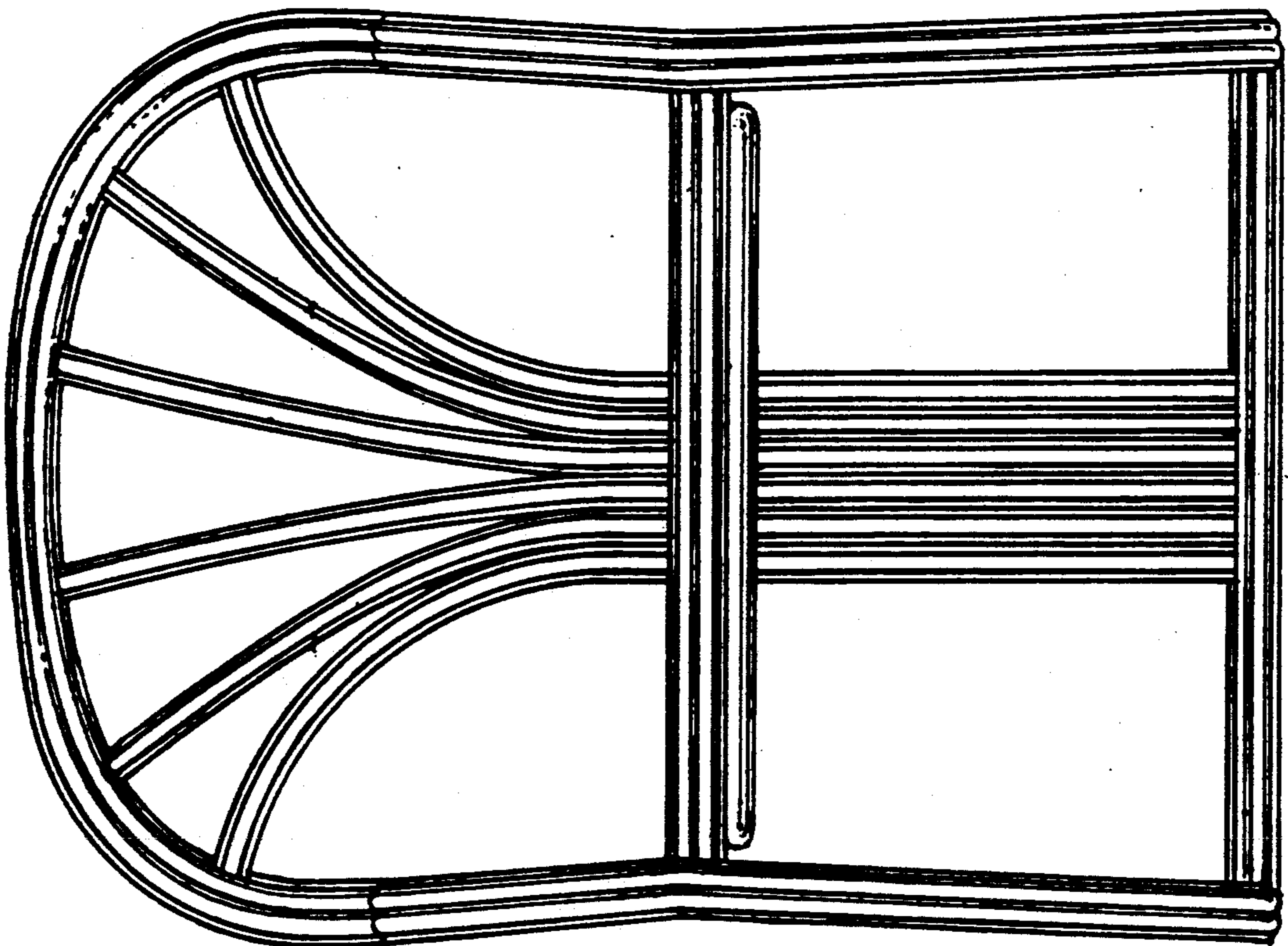


FIG. 4

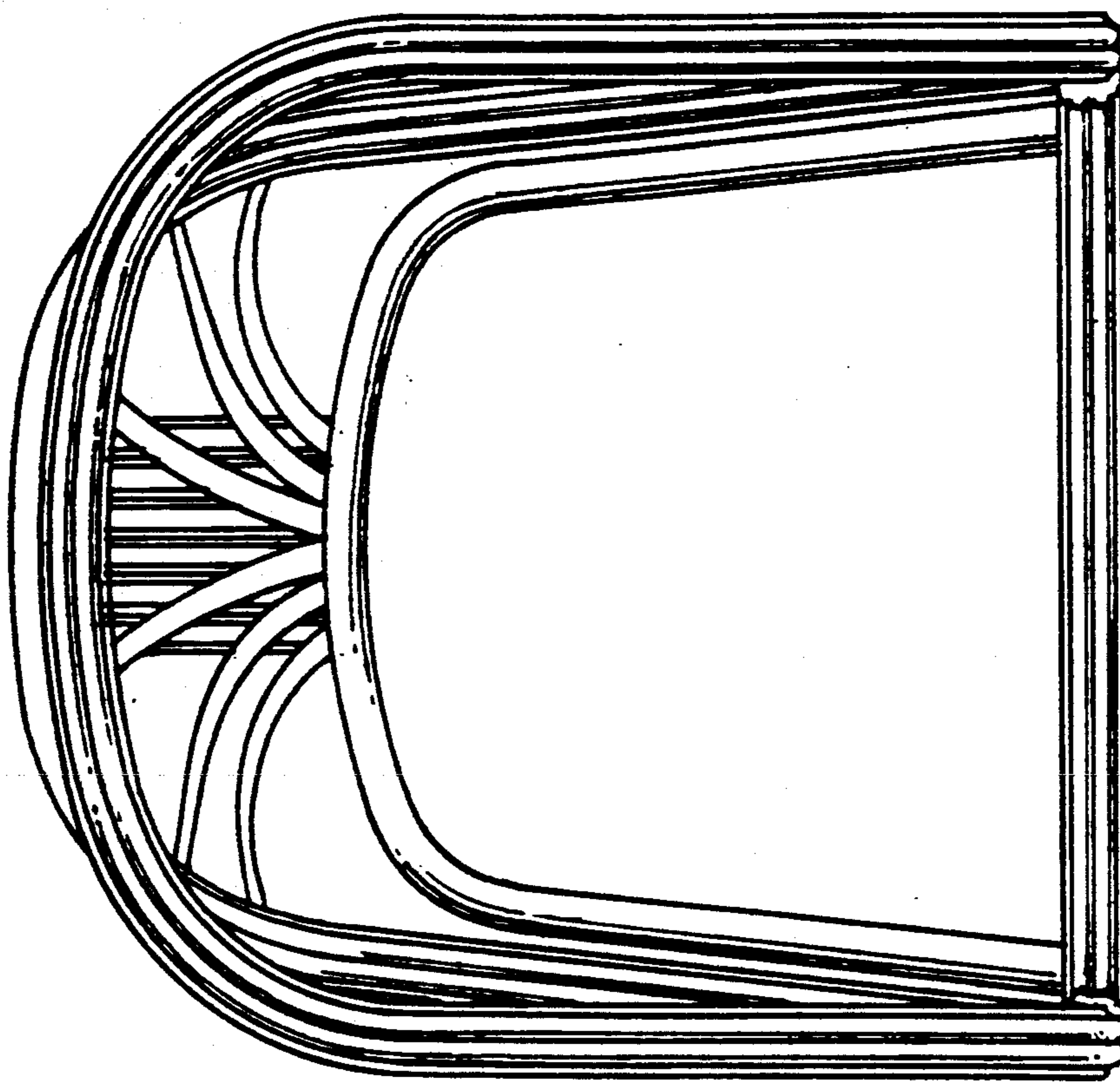


FIG. 5

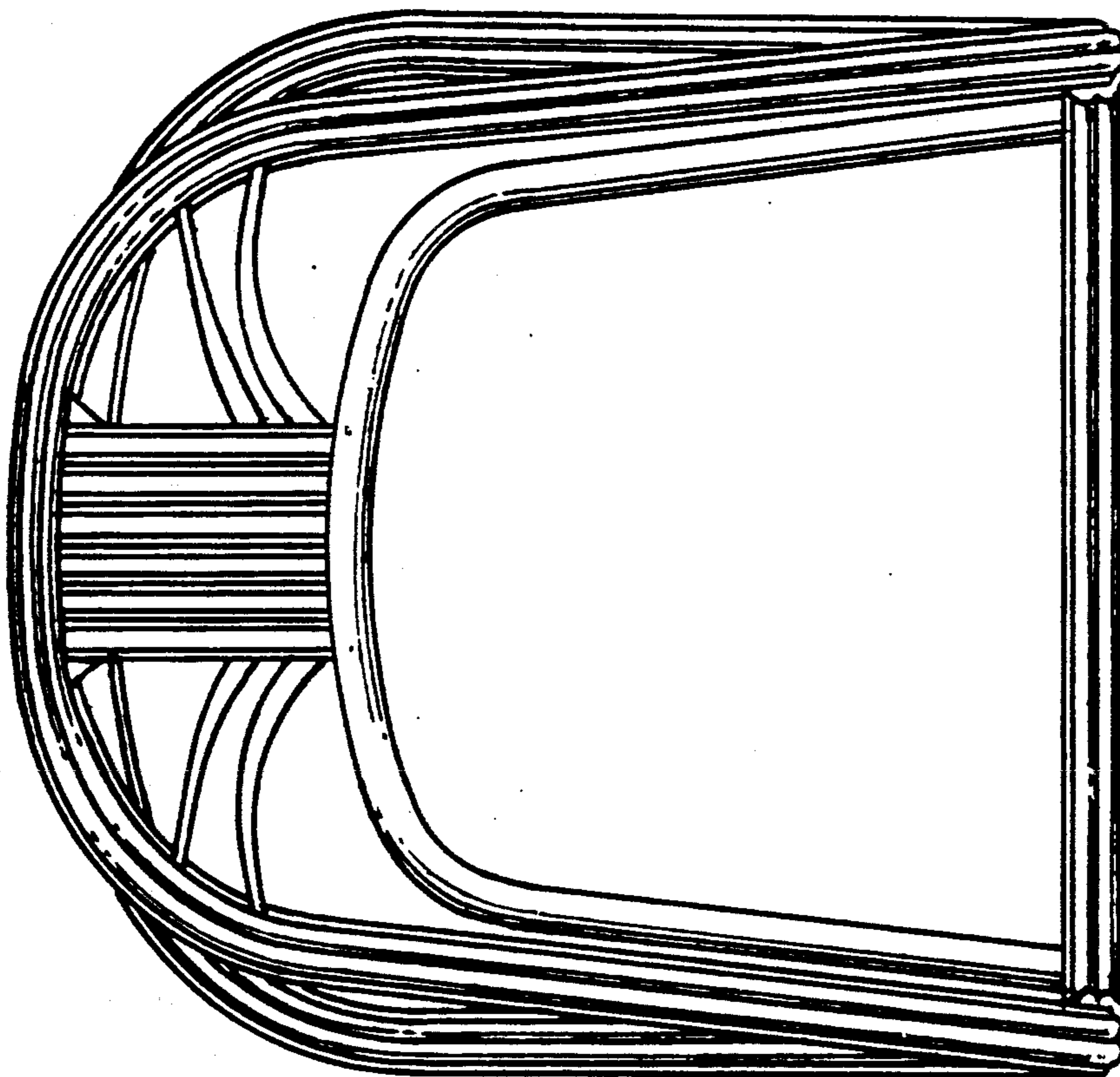


FIG. 6

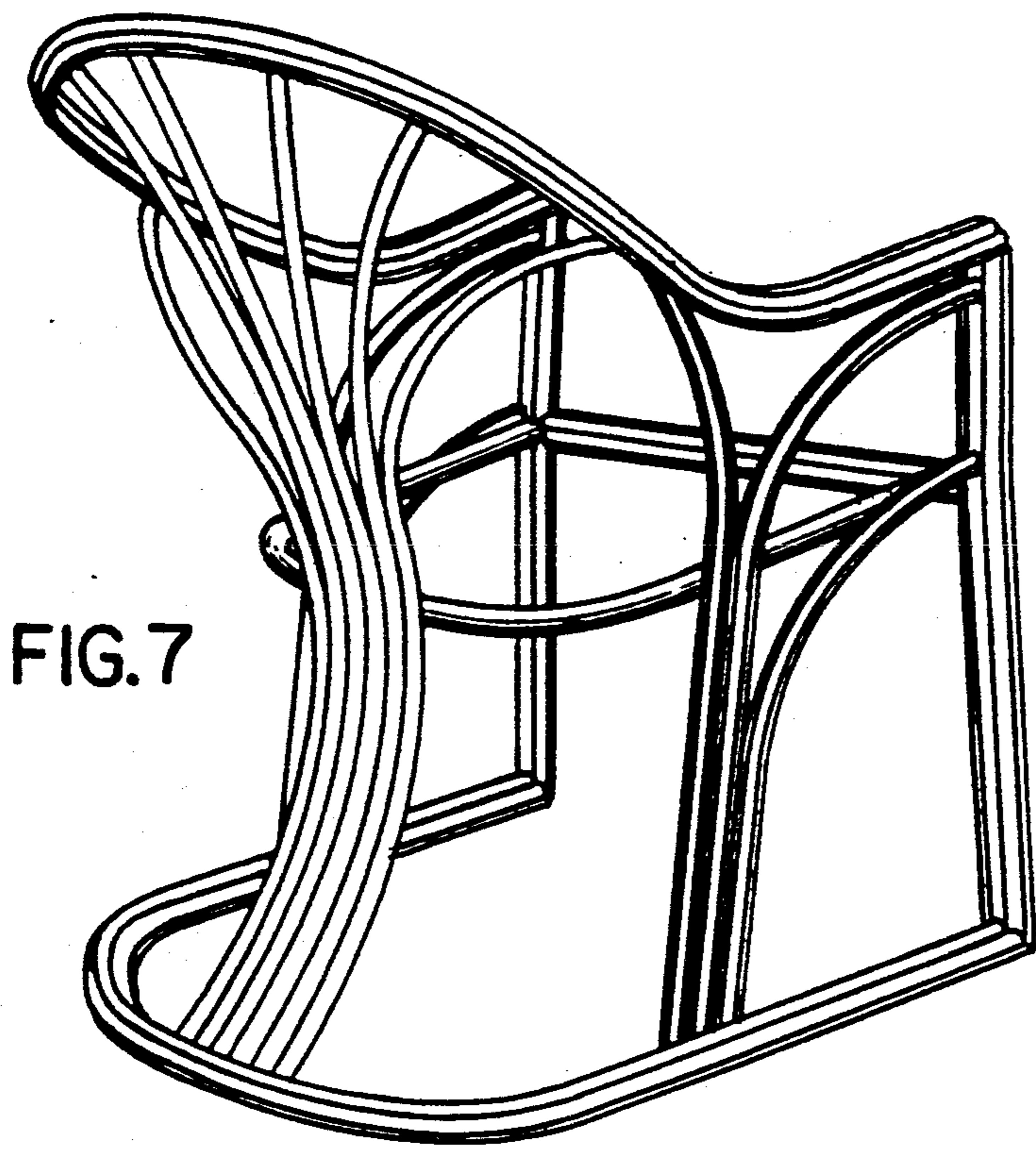


FIG. 7

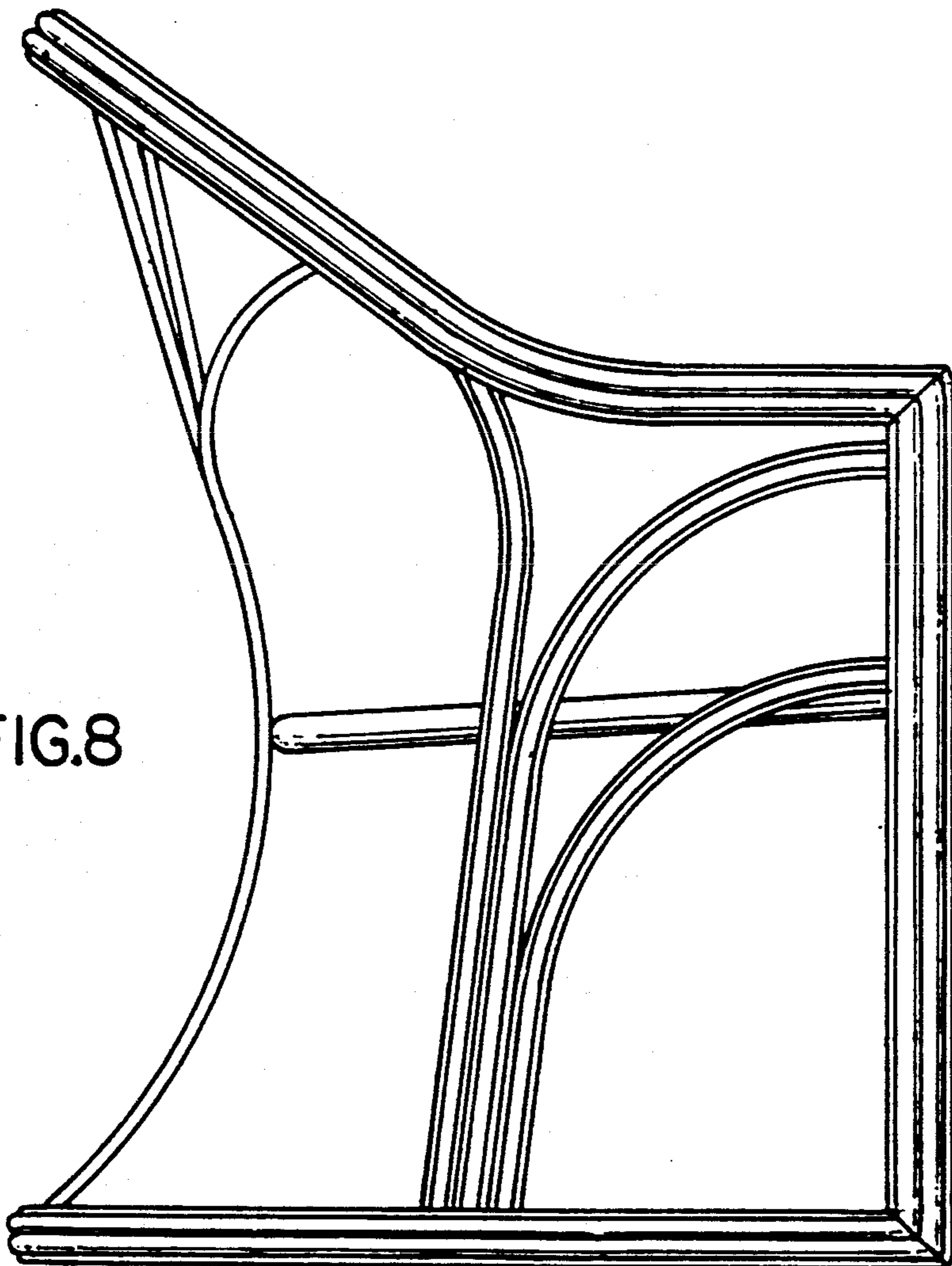


FIG. 8

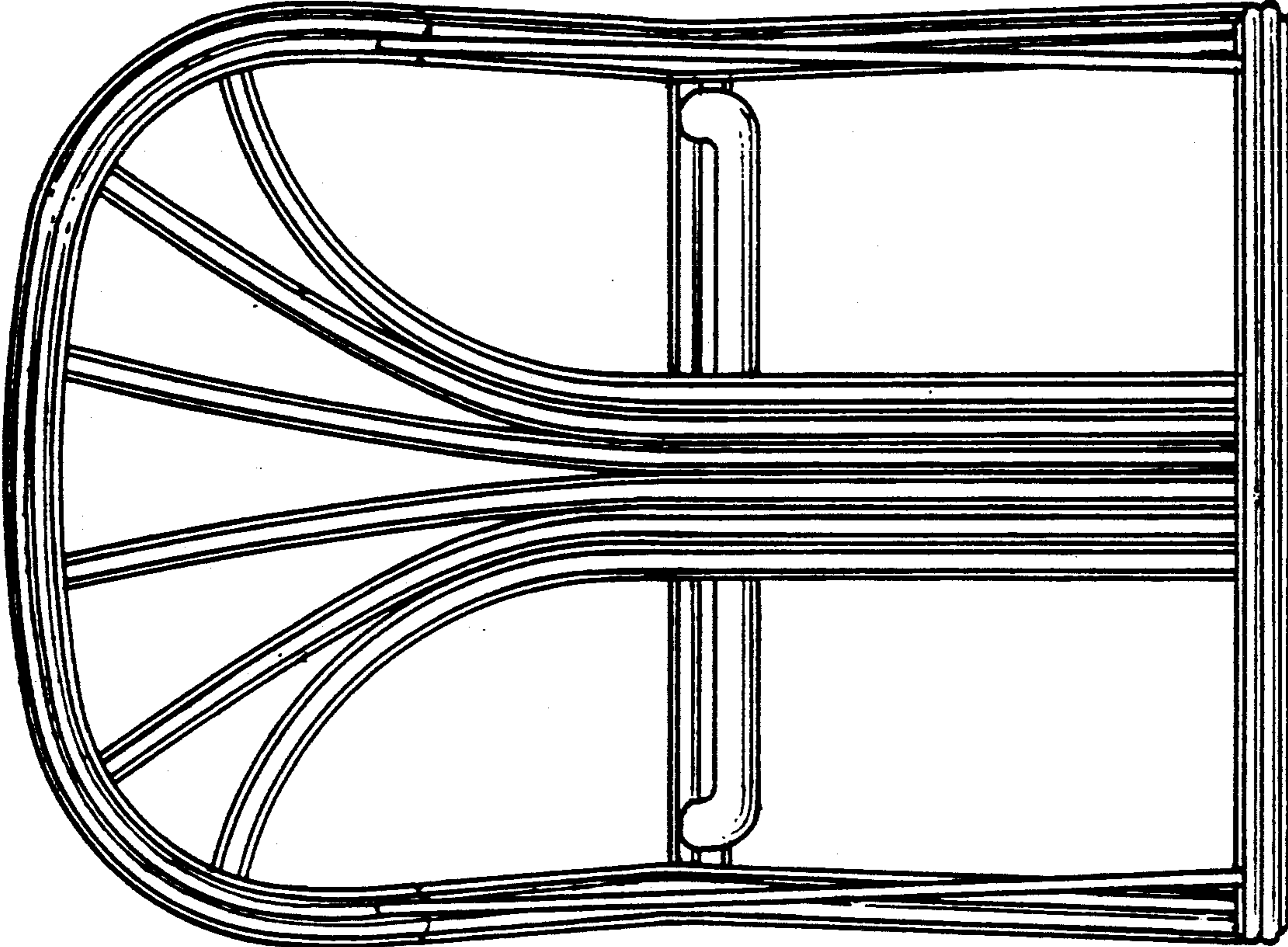


FIG. 9

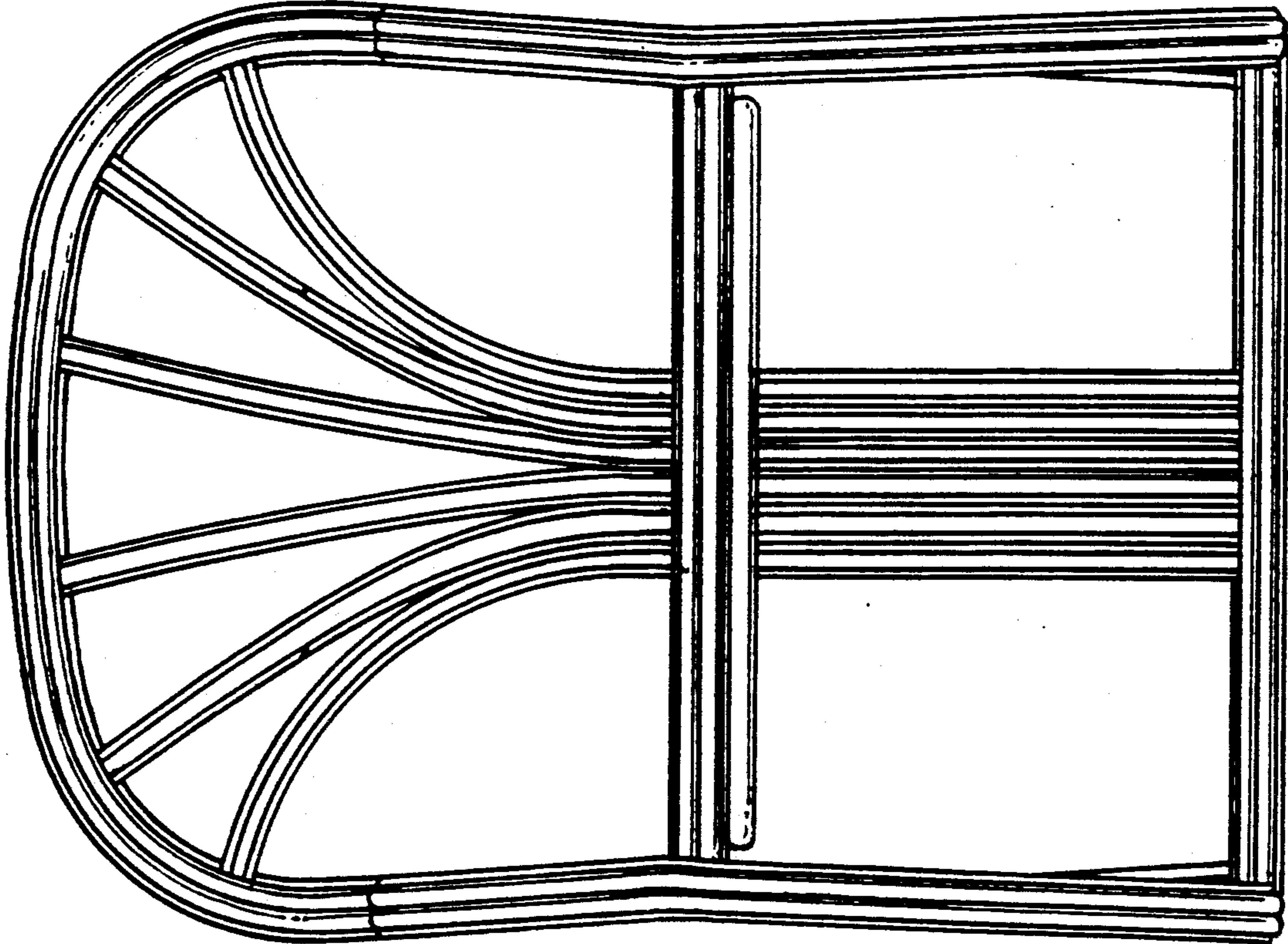


FIG. 10

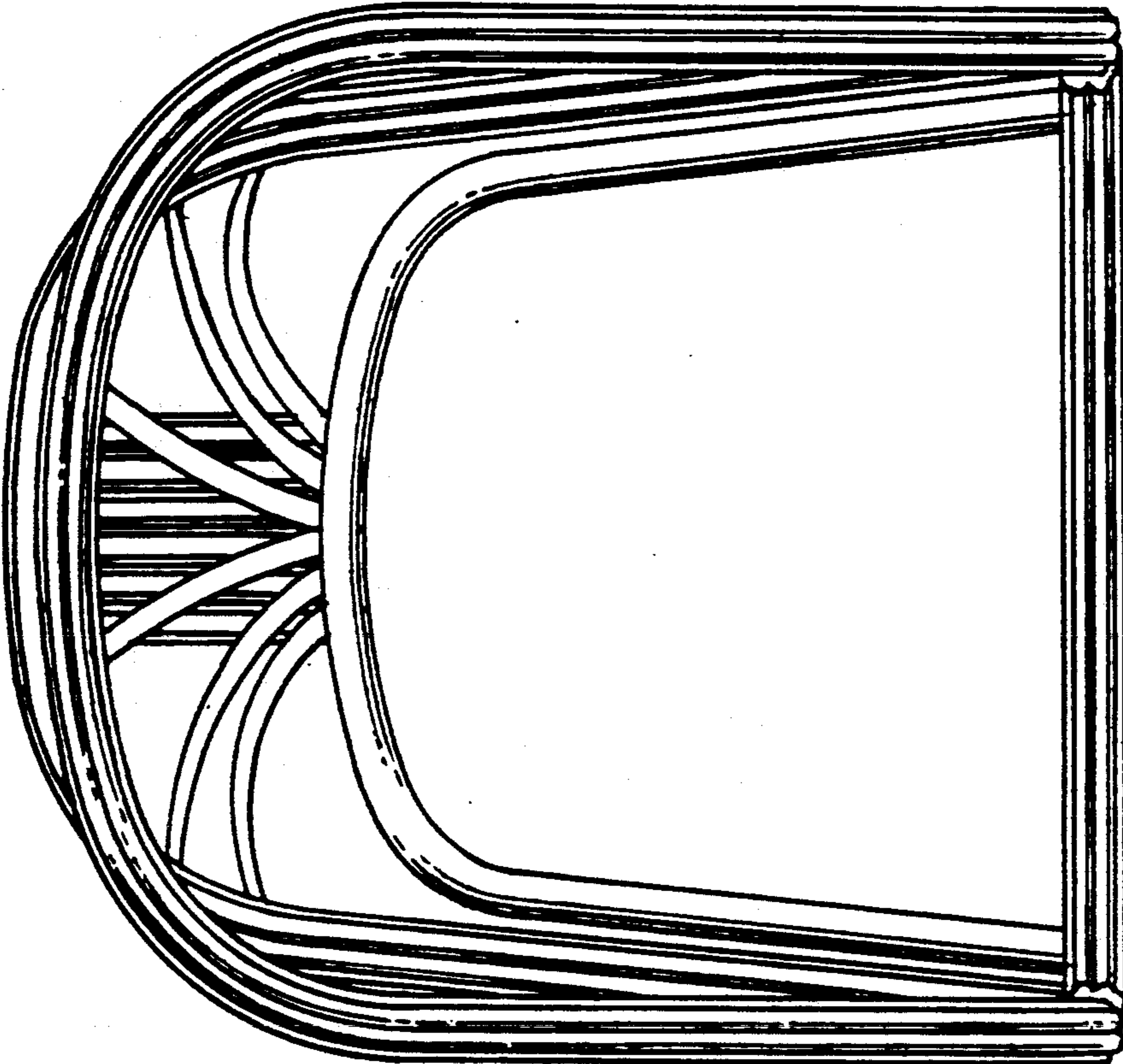


FIG. 11

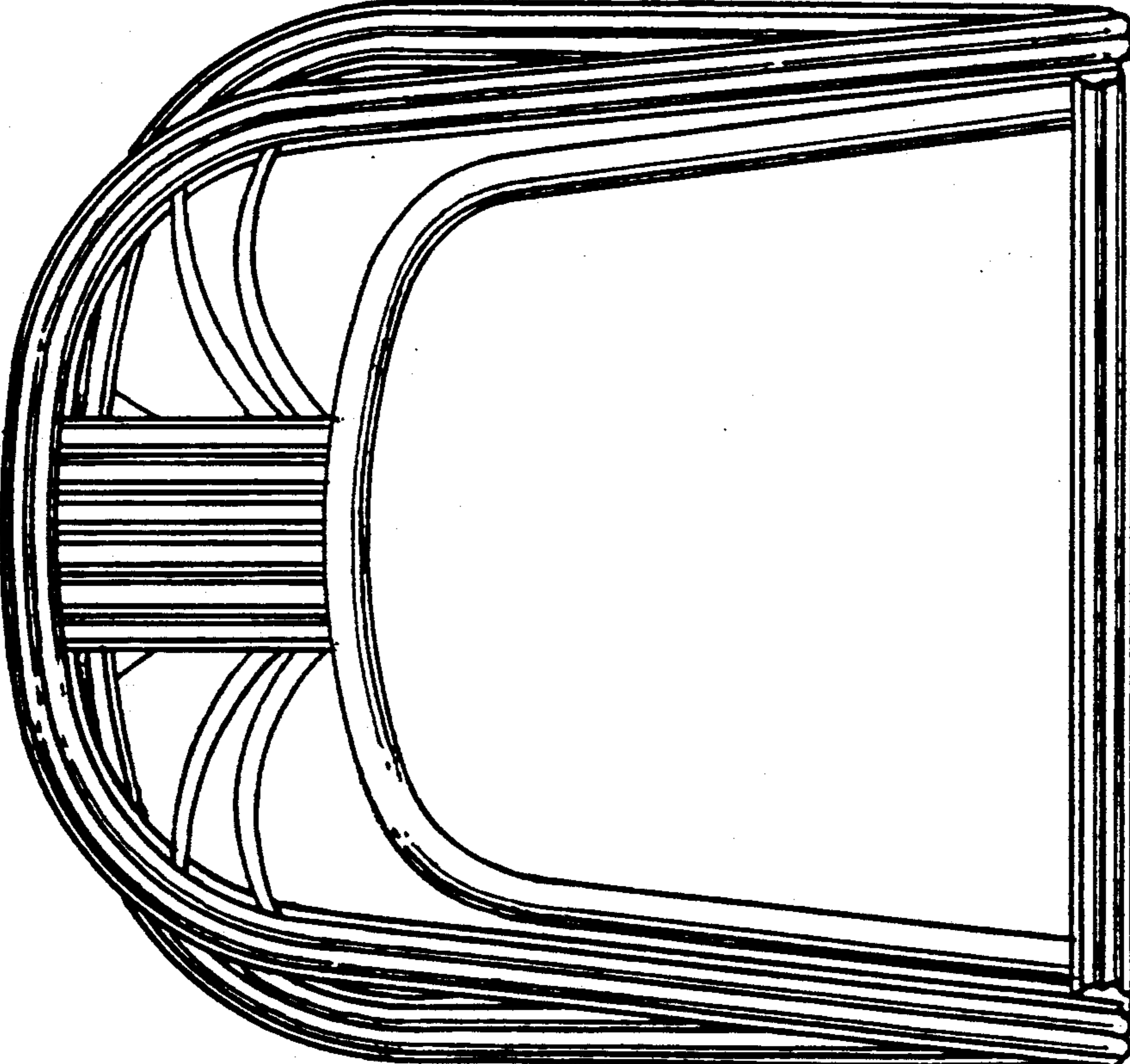


FIG. 12