



US00D323074S

United States Patent [19]

[11] Patent Number: **Des. 323,074**

Michel

[45] Date of Patent: **** Jan. 14, 1992**

[54] **PEDESTAL TABLE AND CHAIR ASSEMBLY**

[76] Inventor: **Justin F. Michel**, 5526 Pinecrest Dr., Cincinnati, Ohio 45238

[**] Term: **14 Years**

[21] Appl. No.: **225,951**

[22] Filed: **Jul. 29, 1988**

[52] U.S. Cl. **D6/337**

[58] Field of Search **D6/337; 297/157**

[56] **References Cited**

U.S. PATENT DOCUMENTS

D. 173,910	1/1955	Neuendorf	D6/337
D. 242,305	11/1976	Campbell et al.	D6/337
D. 244,409	5/1977	Arnold	D6/337
D. 250,151	11/1978	Pingel	D6/337
654,639	7/1900	Huether	297/157

FOREIGN PATENT DOCUMENTS

621185 4/1949 United Kingdom 297/157

Primary Examiner—Bruce W. Dunkins

Assistant Examiner—Gary D. Watson

Attorney, Agent, or Firm—Wood, Herron & Evans

[57] **CLAIM**

The ornamental design for a pedestal table and chair assembly, as shown and described.

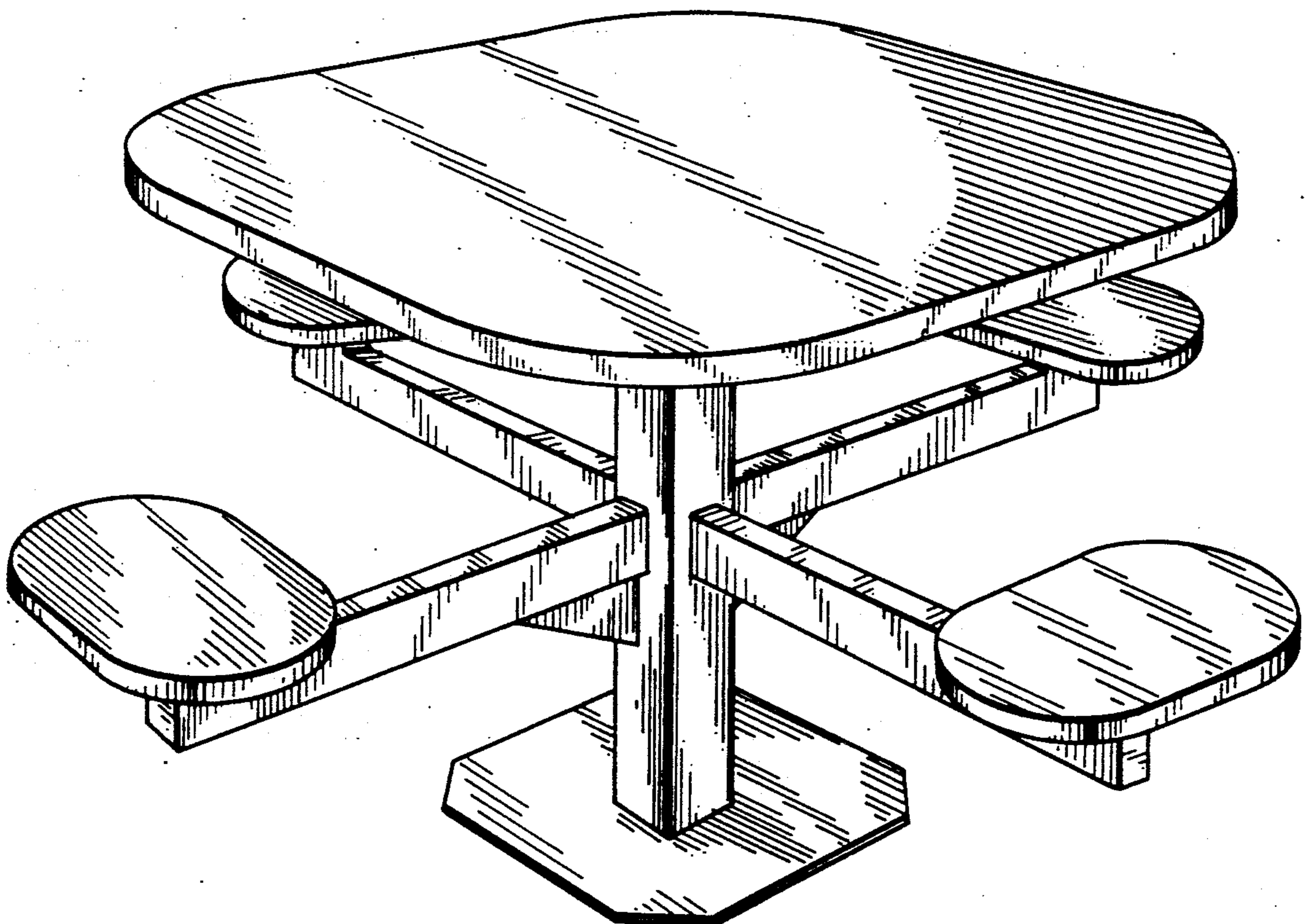
DESCRIPTION

FIG. 1 is a perspective view of a pedestal table and chair assembly showing my new design;

FIG. 2 is a top plan view;

FIG. 3 is an elevational view showing one of the four identical sides; and

FIG. 4 is a bottom plan view thereof.



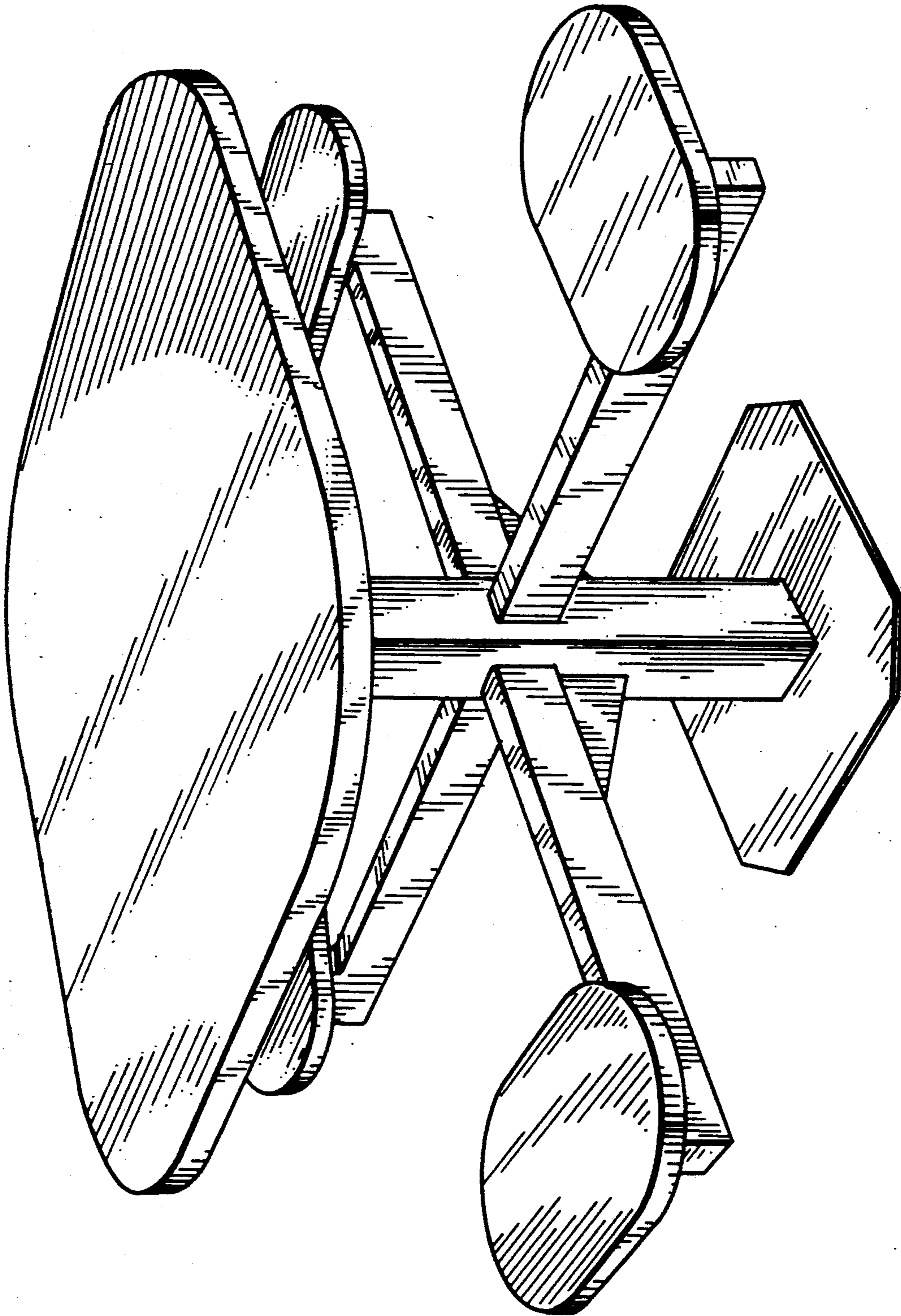


FIG. 1

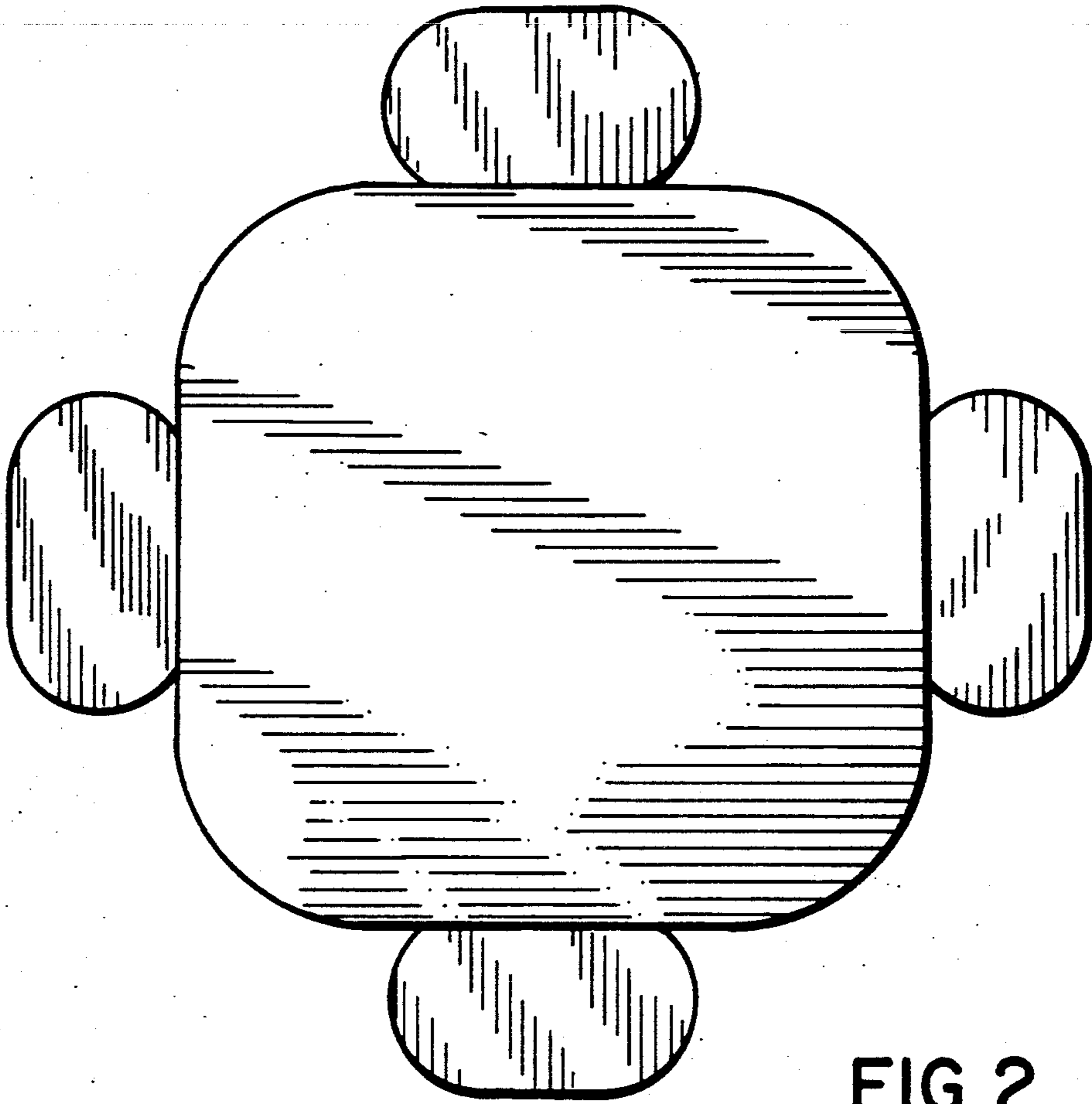


FIG. 2

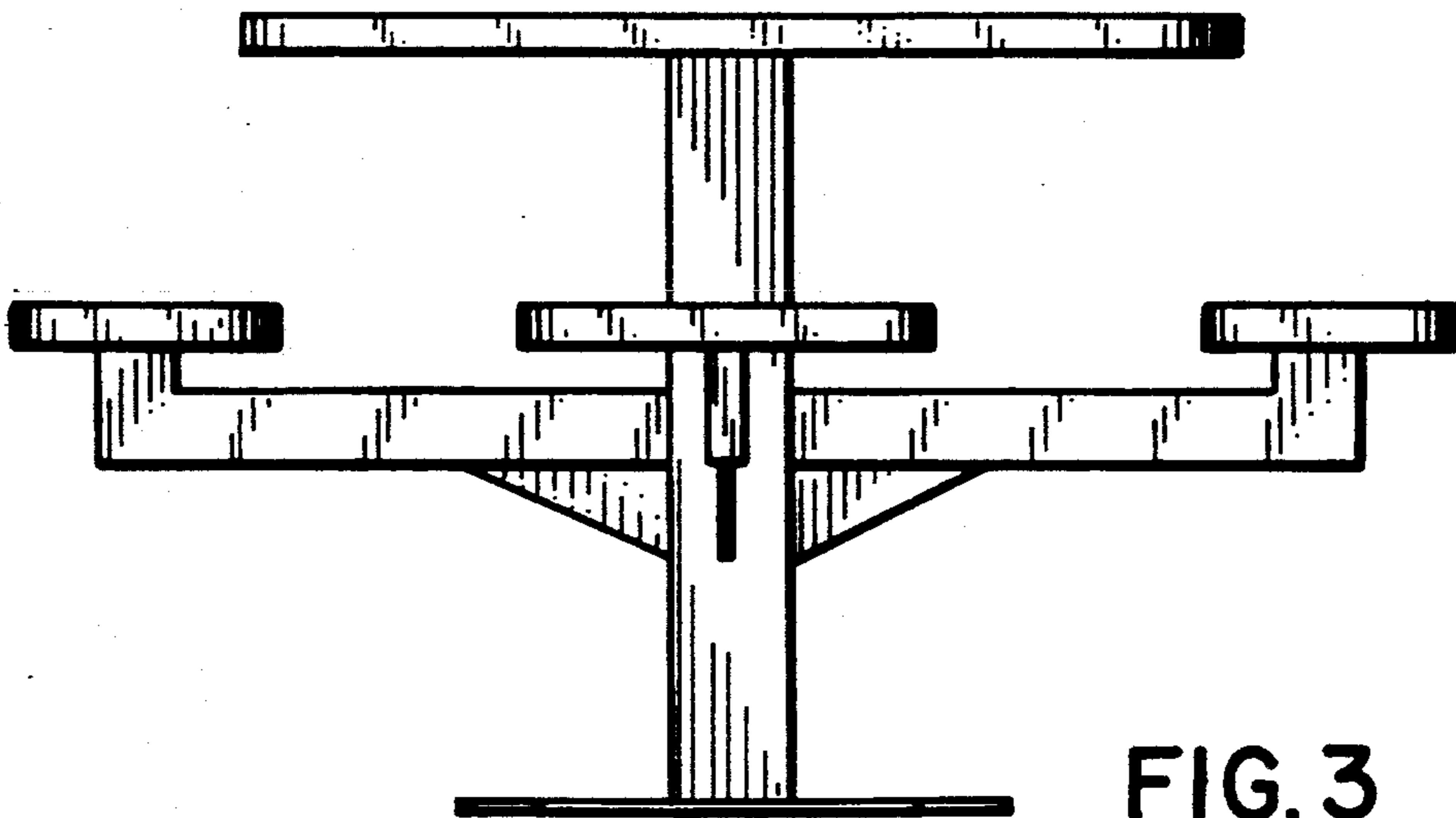


FIG. 3

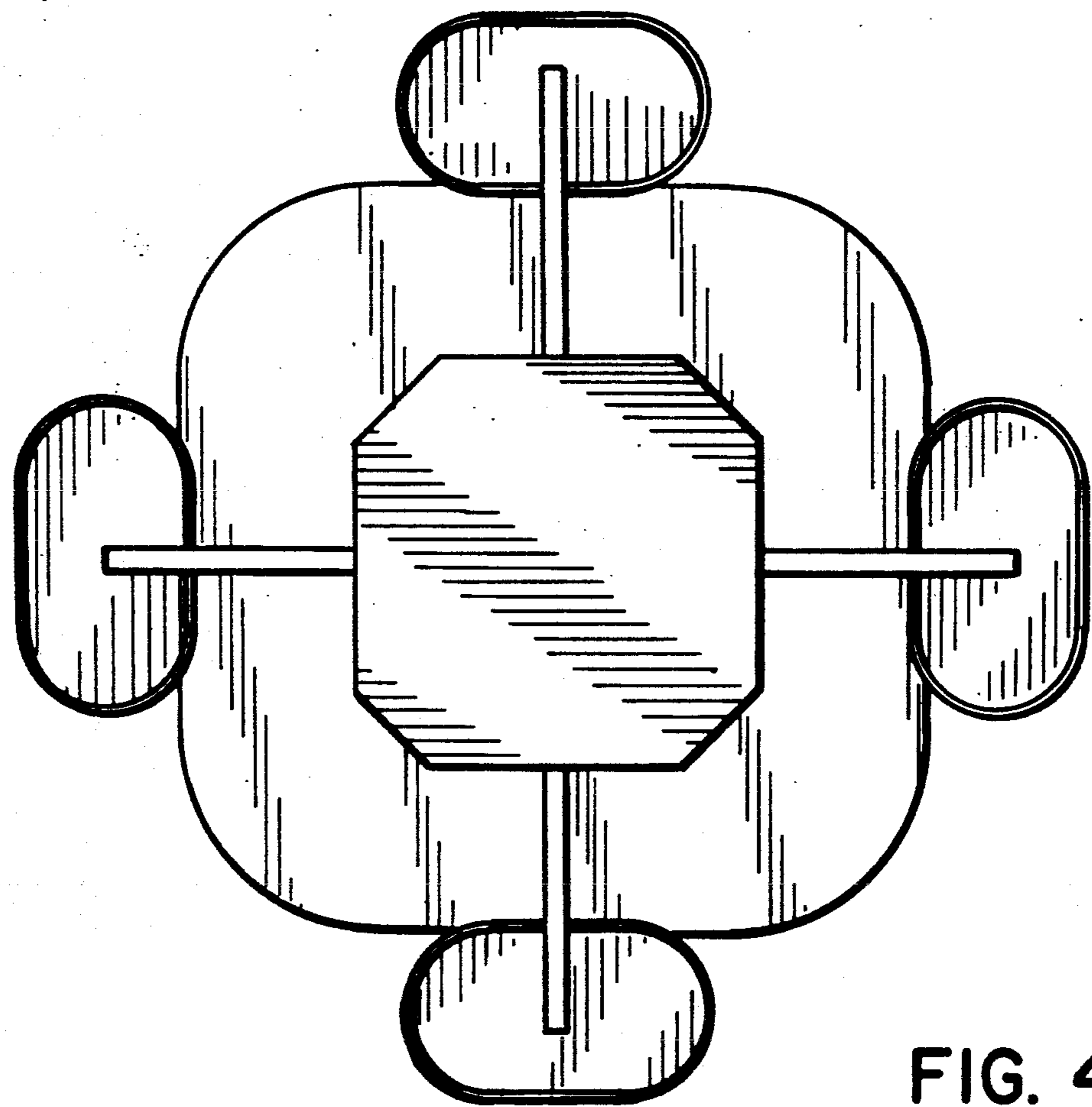


FIG. 4