



US00D323064S

United States Patent [19]

[11] Patent Number: **Des. 323,064**

Tsuji

[45] Date of Patent: **** Jan. 14, 1992**

[54] COMBINED TOOL AND ACCESSORY HOLDER

[75] Inventor: **Shintaro Tsuji, Tokyo, Japan**

[73] Assignee: **Sanrio Company, Ltd., Tokyo, Japan**

[**] Term: **14 Years**

[21] Appl. No.: **229,327**

[22] Filed: **Aug. 5, 1988**

[52] U.S. Cl. **D3/66; D3/30.1; D21/137**

[58] Field of Search **D3/65, 99, 66, 44, 42, D3/46, 30.1, 103; D99/34, 37; D29/12, 14, 15; 206/0.84, 0.82, 566, 0.8, 0.81; D8/71; D21/137, 81; D26/37; 362/157**

[56] References Cited

U.S. PATENT DOCUMENTS

D. 230,173	1/1974	Goldfard et al.	D21/137
D. 238,012	12/1975	Huseman	D3/44
D. 267,101	11/1982	Goldfarb et al.	D21/81
D. 268,772	4/1983	Hanzawa	D21/81
D. 277,771	2/1985	Takeuchi	D21/81
D. 278,449	4/1985	Colquitt	D21/137
D. 311,994	11/1990	Tsuji	D3/66
2,653,215	9/1953	Seiss	362/157

OTHER PUBLICATIONS

Cycle World, Sep. 1982, p. 73.

Primary Examiner—A. Hugo Word
Assistant Examiner—M. N. Pandozzi
Attorney, Agent, or Firm—Owen, Wickersham & Erickson

[57] CLAIM

The ornamental design for a combined tool and accessory holder, as shown.

DESCRIPTION

FIG. 1 is a perspective view of a combined tool and accessory holder showing my new design in assembled condition;

FIG. 2 is a front elevational view thereof;

FIG. 3 is a top plan view thereof;

FIG. 4 is a right side elevational view thereof;

FIG. 5 is a left side elevational view thereof;

FIG. 6 is a rear elevational view thereof;

FIG. 7 is a bottom plan view thereof;

FIG. 8 is a front elevational view with all the tools and accessories removed;

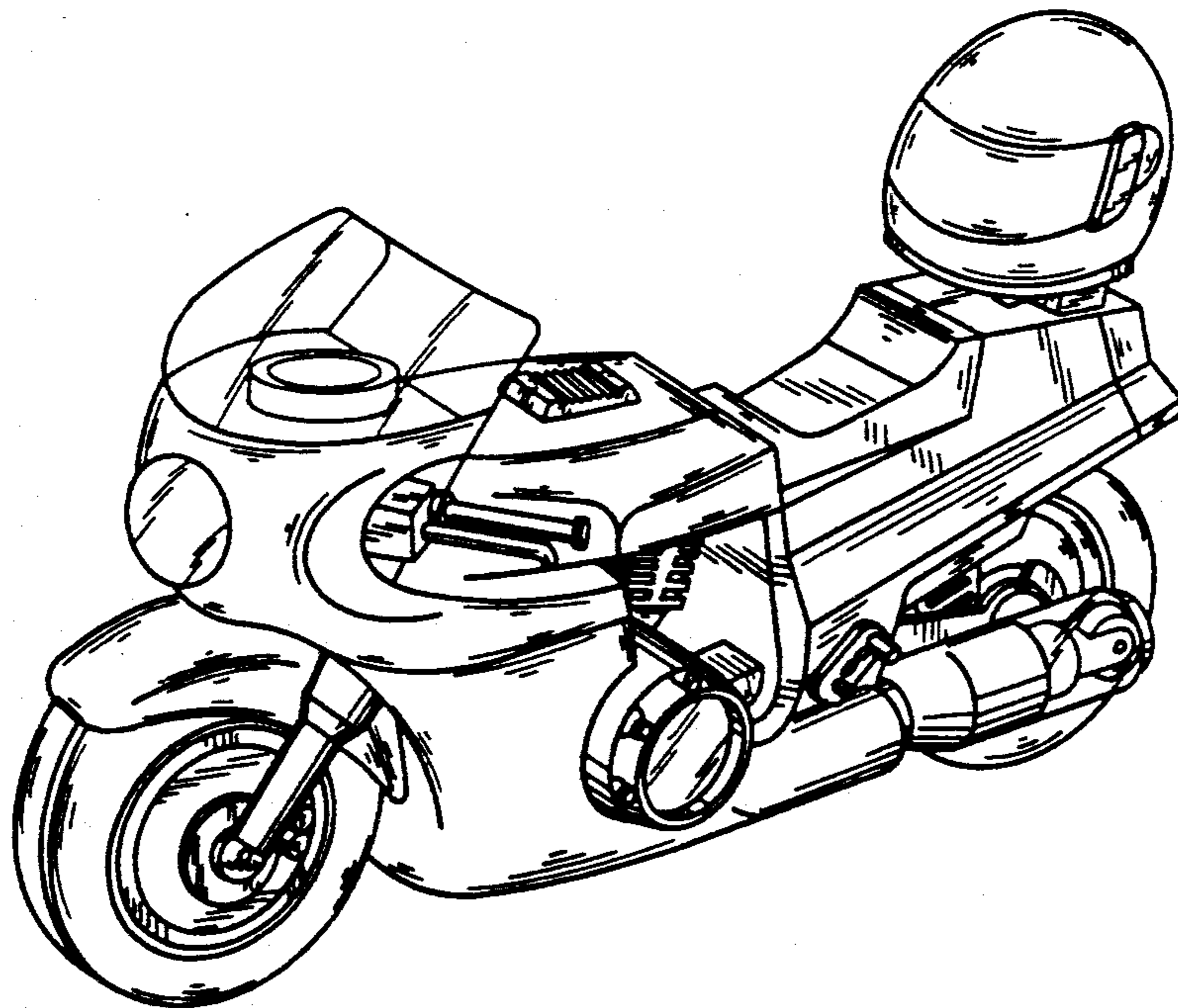
FIG. 9 is a top plan view thereof;

FIG. 10 is a right side elevational view thereof;

FIG. 11 is a left side elevational view thereof;

FIG. 12 is a rear elevational view thereof; and

FIG. 13 is a bottom plan view thereof.



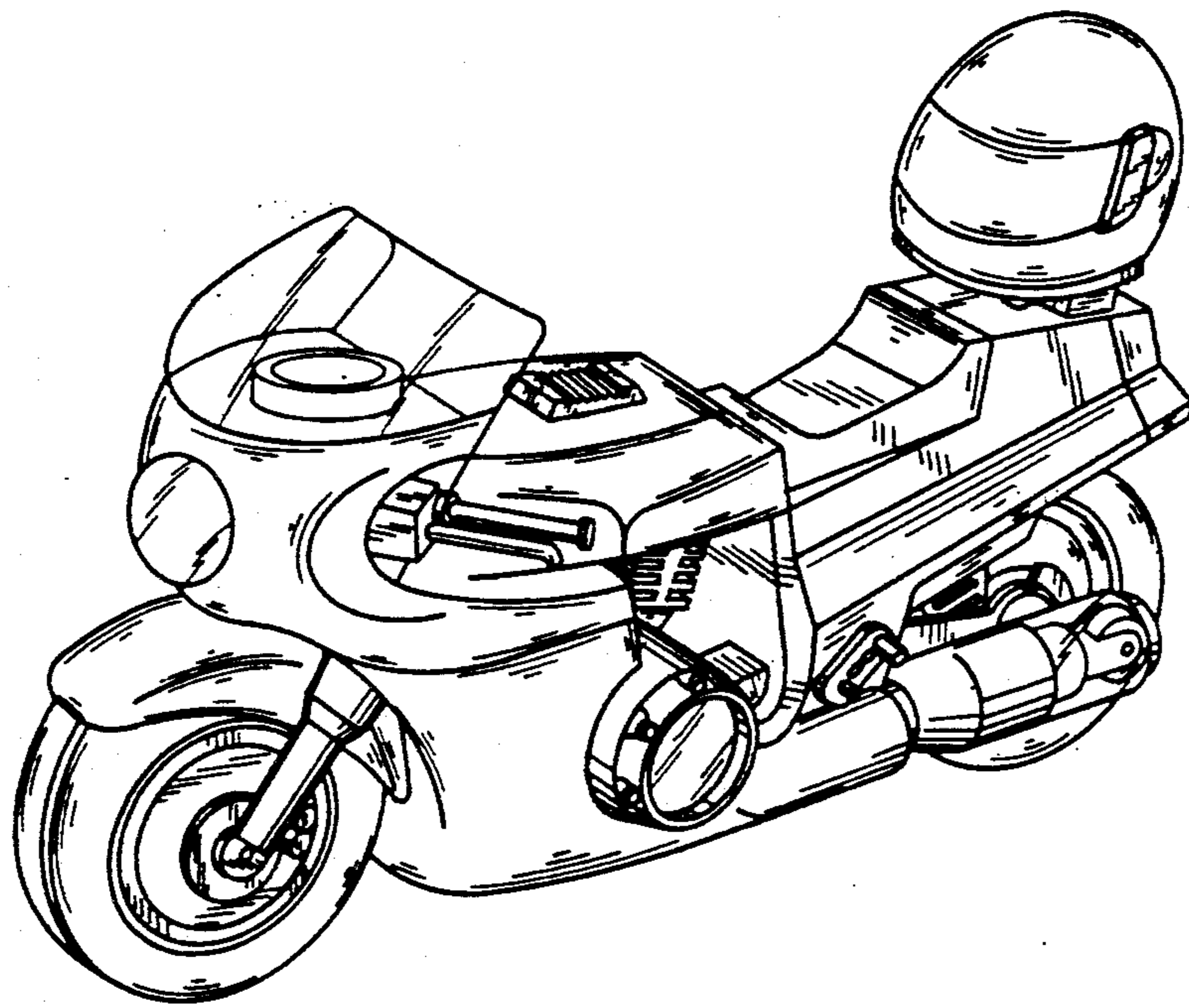


FIG. 1

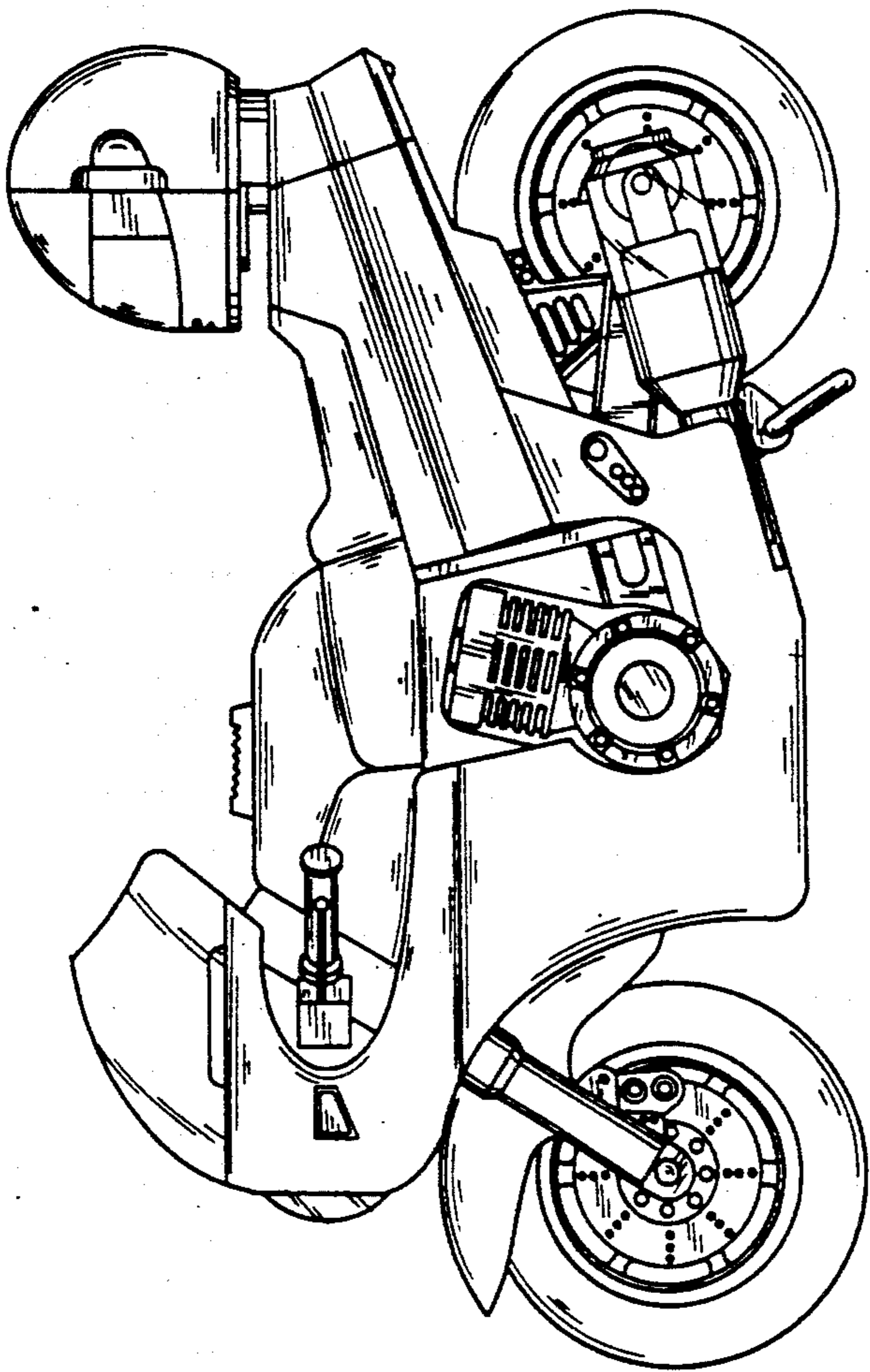


FIG. 4

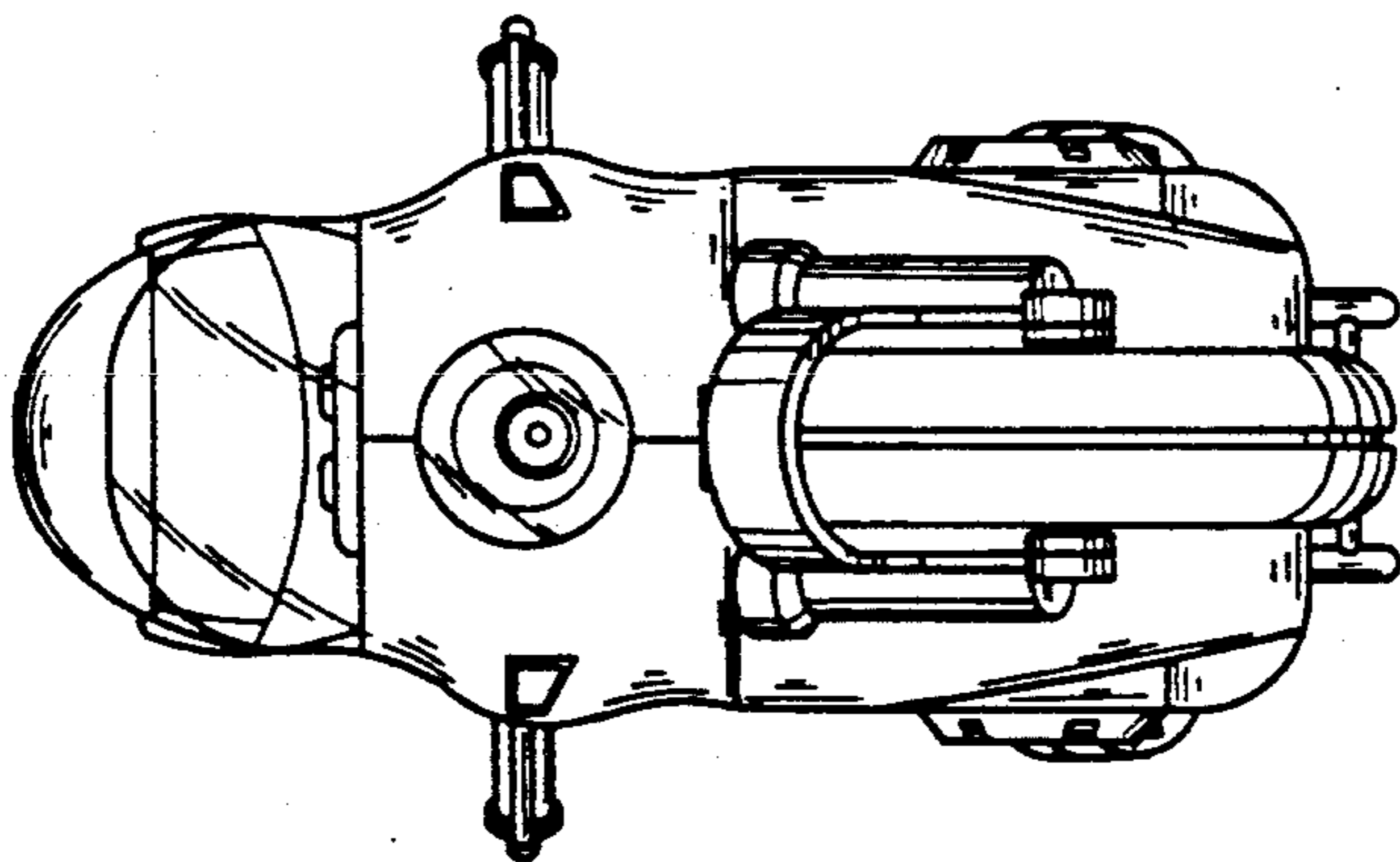


FIG. 2

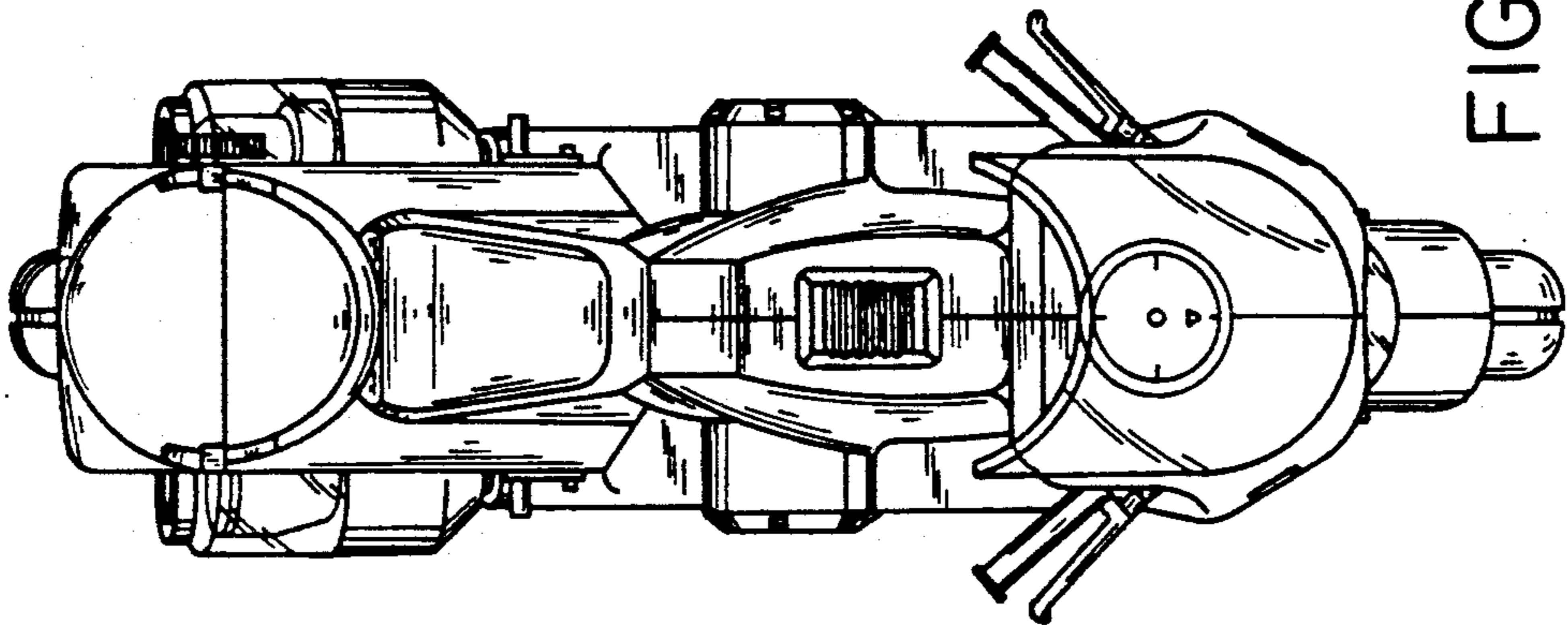


FIG. 3

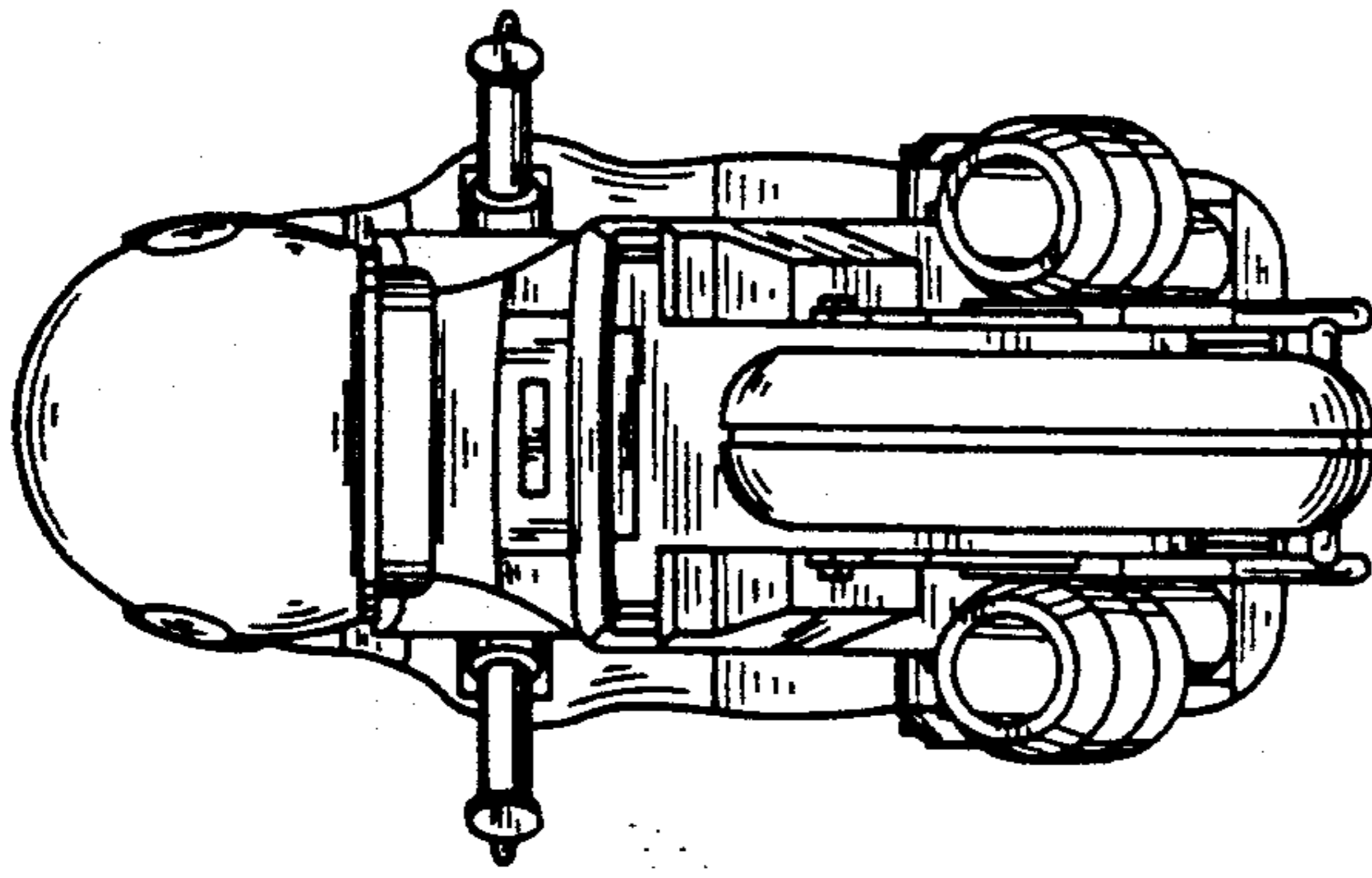


FIG. 6

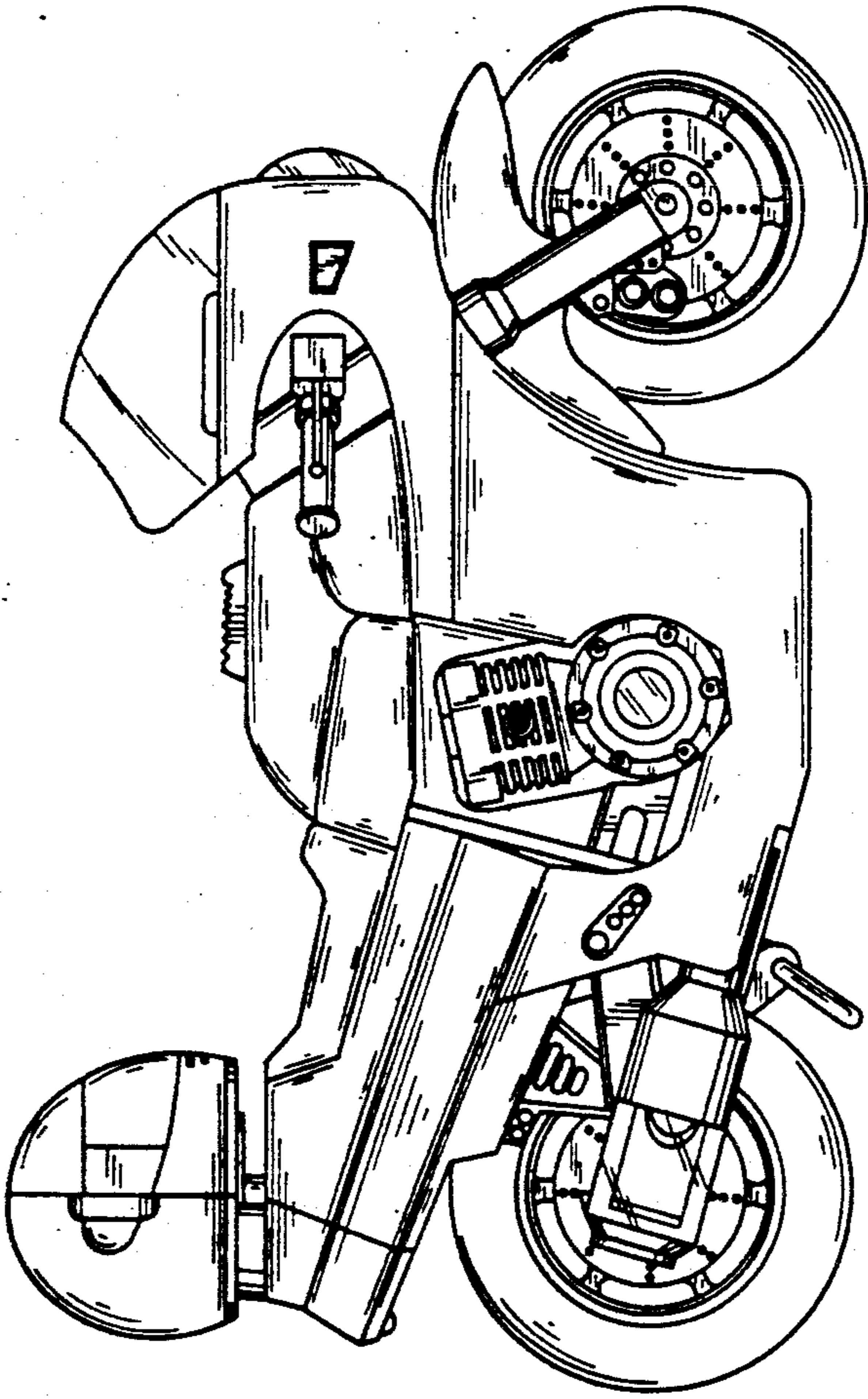


FIG. 5

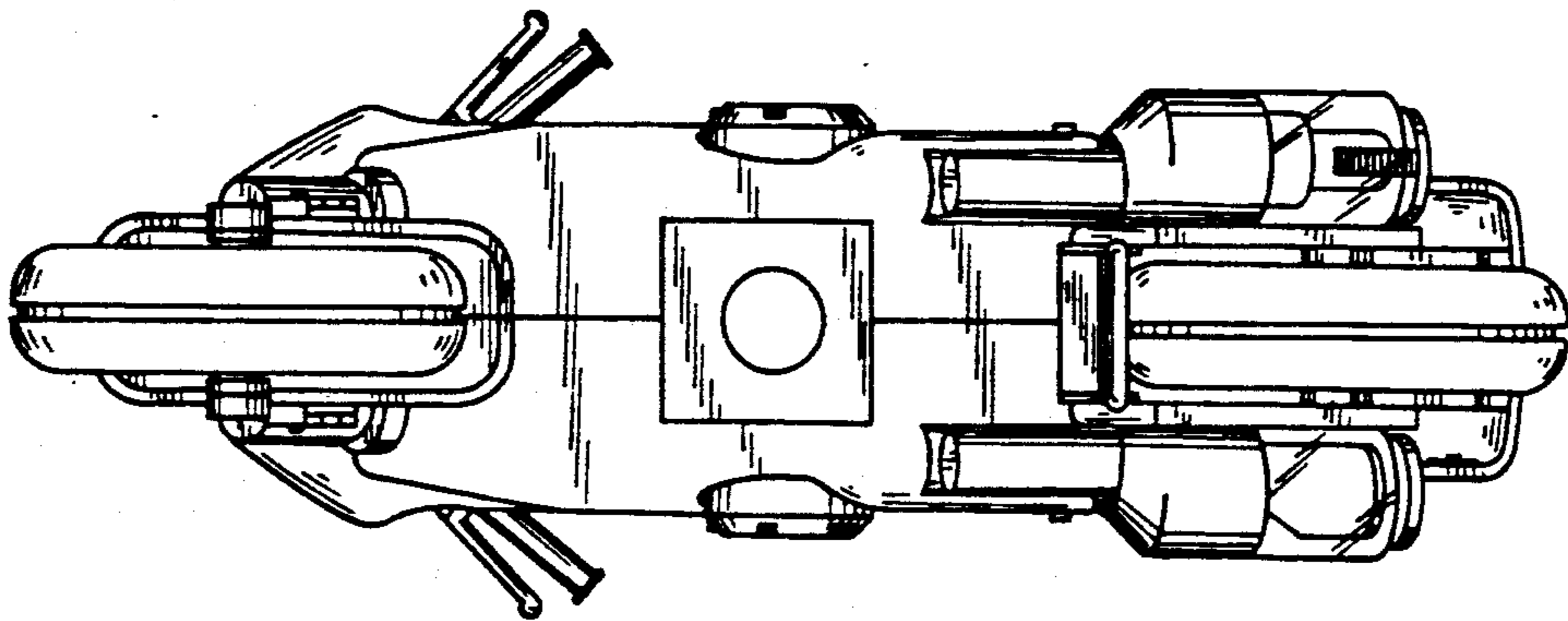


FIG. 7

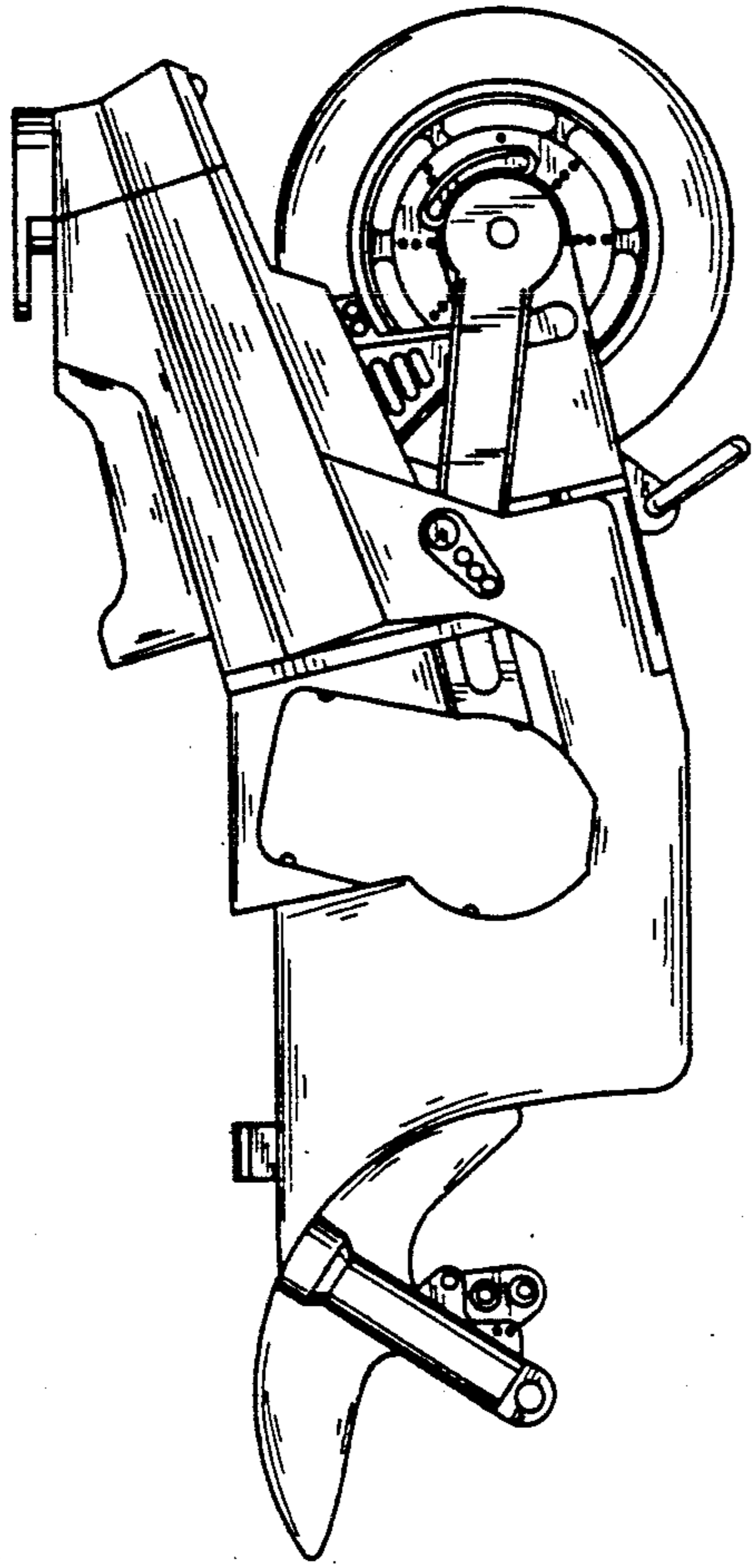


FIG. 10

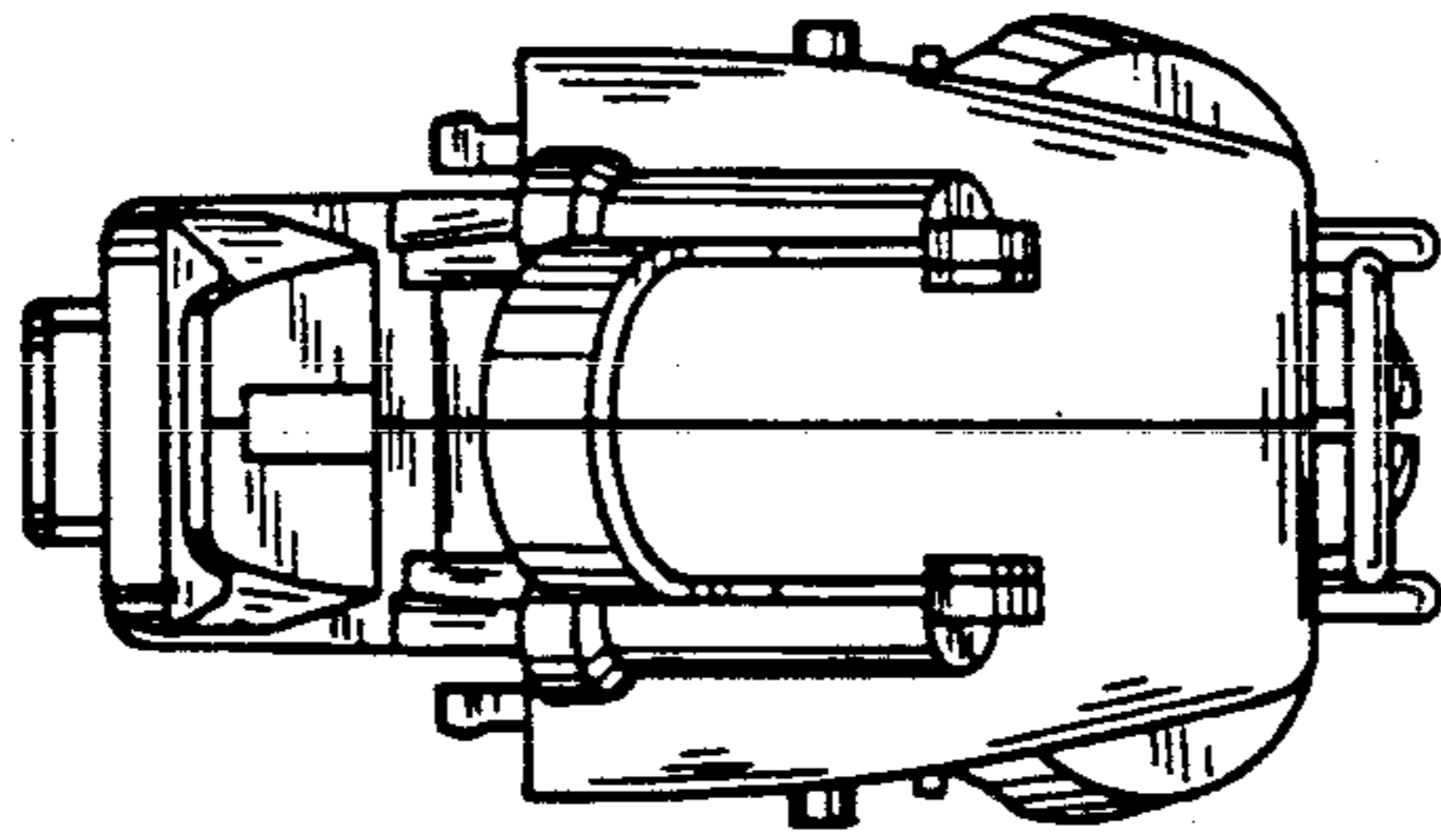


FIG. 8

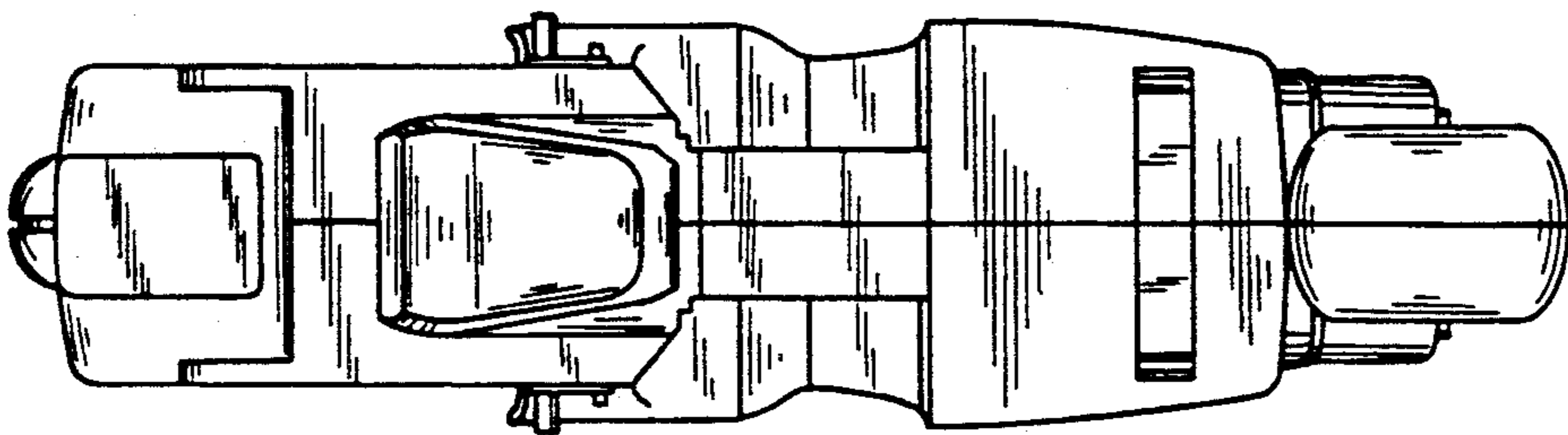


FIG. 9

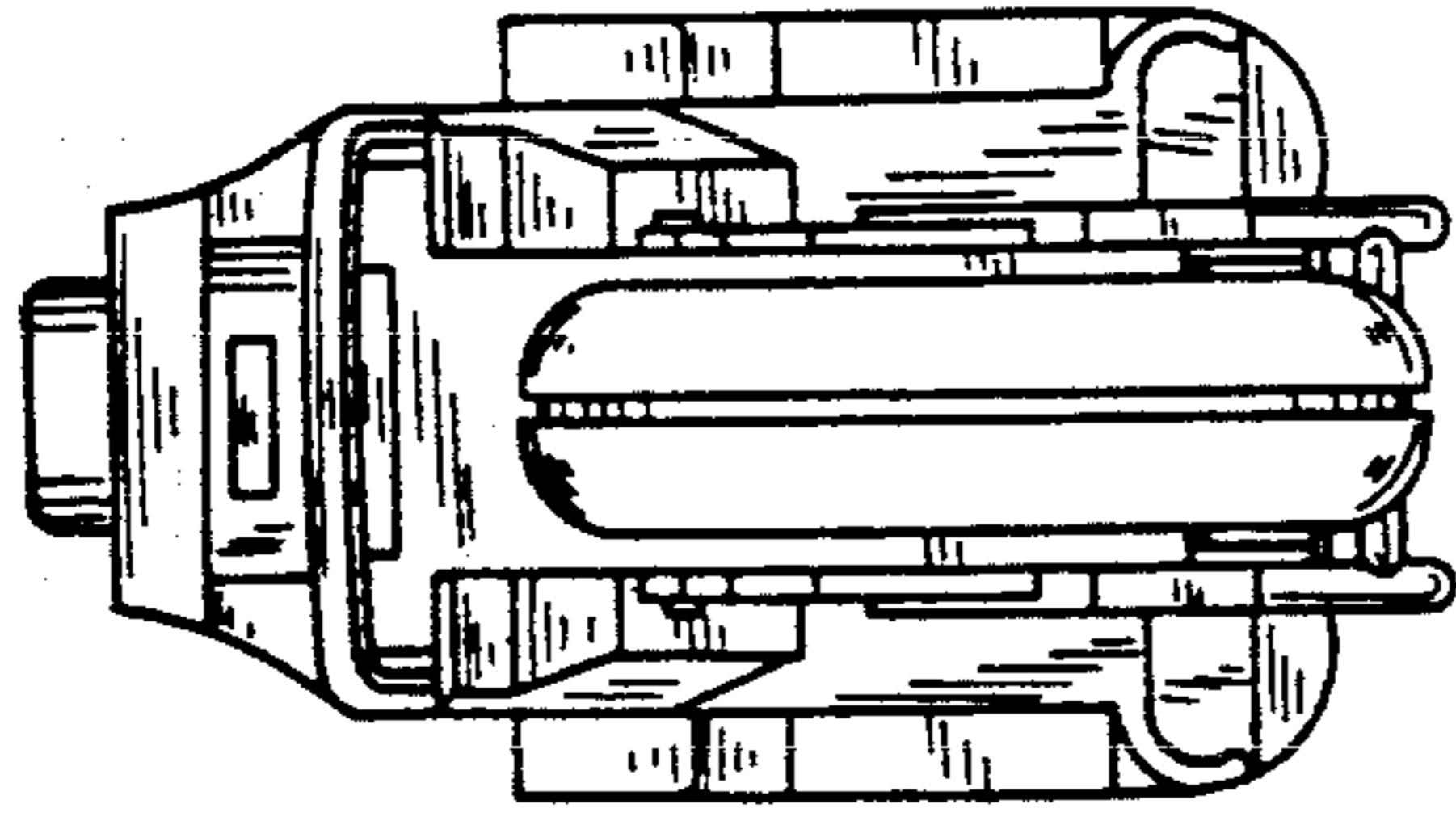


FIG. 12

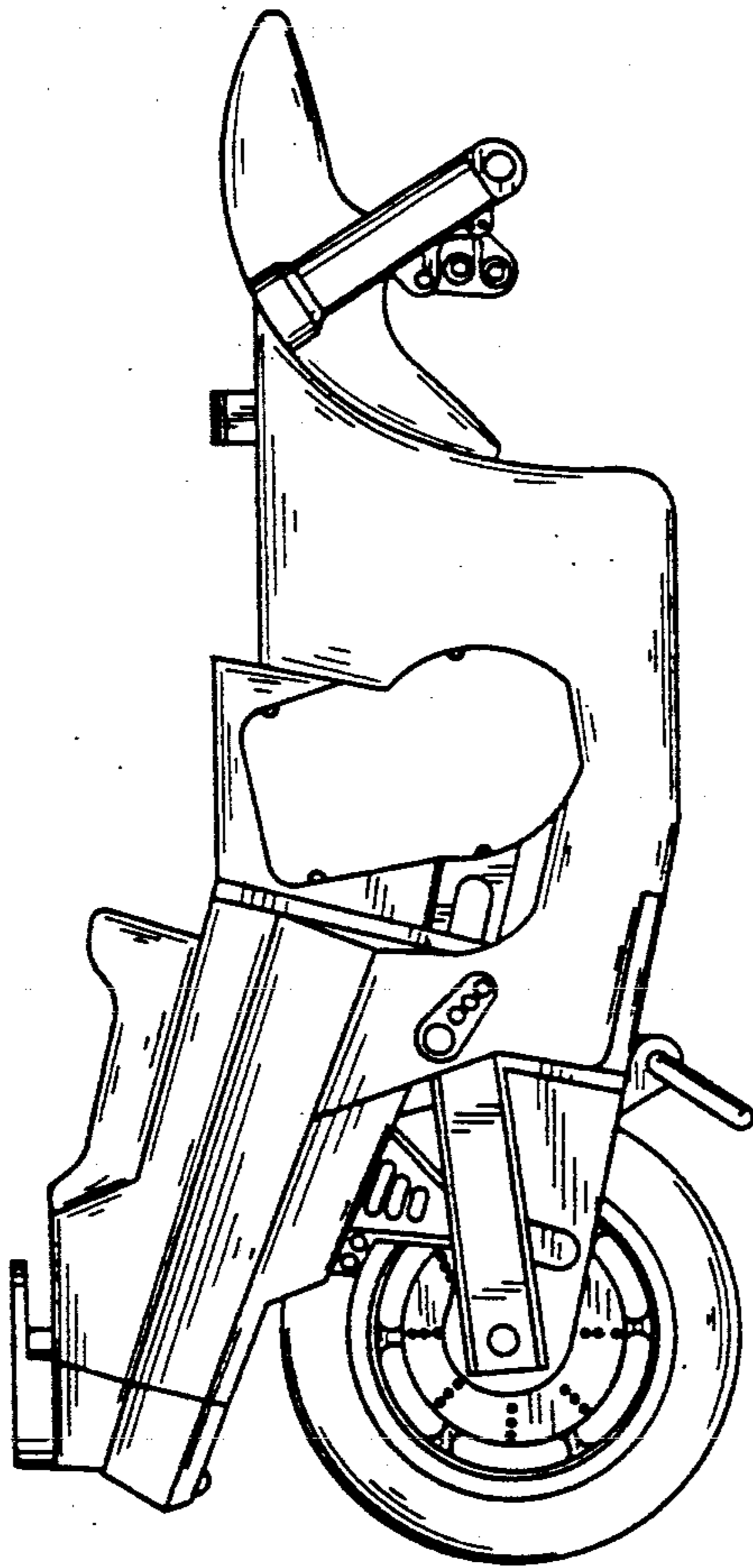


FIG. 11

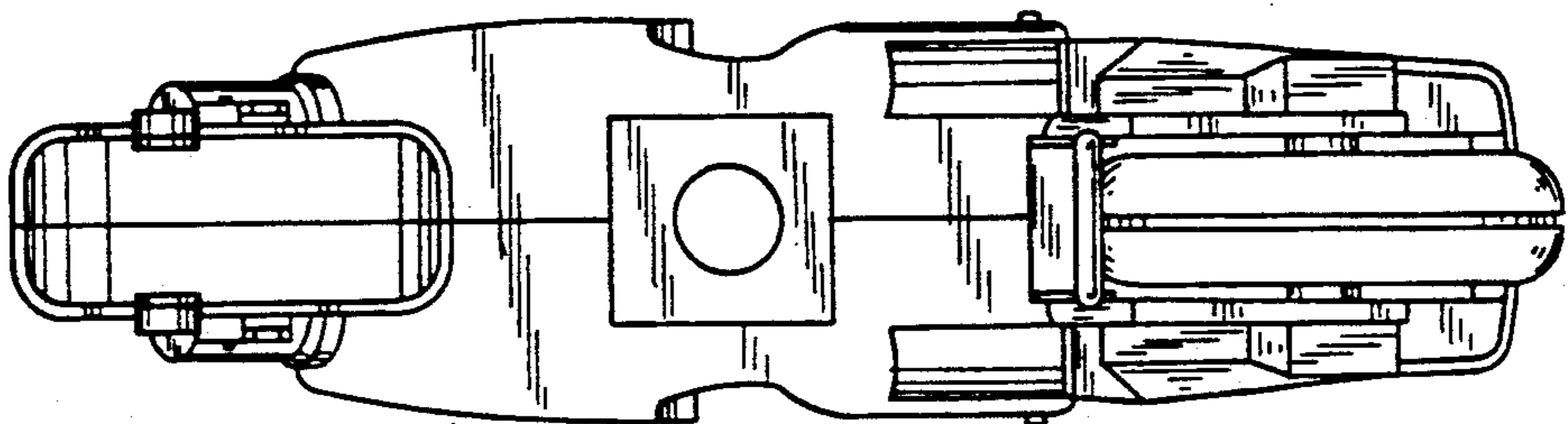


FIG. 13