



US00D323062S

United States Patent [19]

[11] Patent Number: **Des. 323,062**

Slater

[45] Date of Patent: **** Jan. 14, 1992**

[54] RAZOR STORAGE CONTAINER

[76] Inventor: **Reginald Slater**, 1076 Neil Ave., Apt. A, Columbus, Ohio 43201

[**] Term: **14 Years**

[21] Appl. No.: **375,290**

[22] Filed: **Jul. 3, 1989**

[52] U.S. Cl. **D3/39**

[58] Field of Search **D3/30.1, 39, 72-75; 206/581, 424, 6.1, 425, 562, 457, 472, 566, 184, 527, 315.1, 232; 229/8, 92.8, 103; D9/414; 40/124.1, 124**

[56] References Cited

U.S. PATENT DOCUMENTS

D. 213,601	3/1969	Benke	D3/74	X
D. 271,444	11/1983	Le Vine	D3/30.1	X
D. 294,432	3/1988	Henson	D3/74	
1,591,515	7/1926	Diskin	206/581	X
2,143,062	1/1939	Ericson et al.	206/581	X
2,209,781	7/1940	Lewis	206/581	X

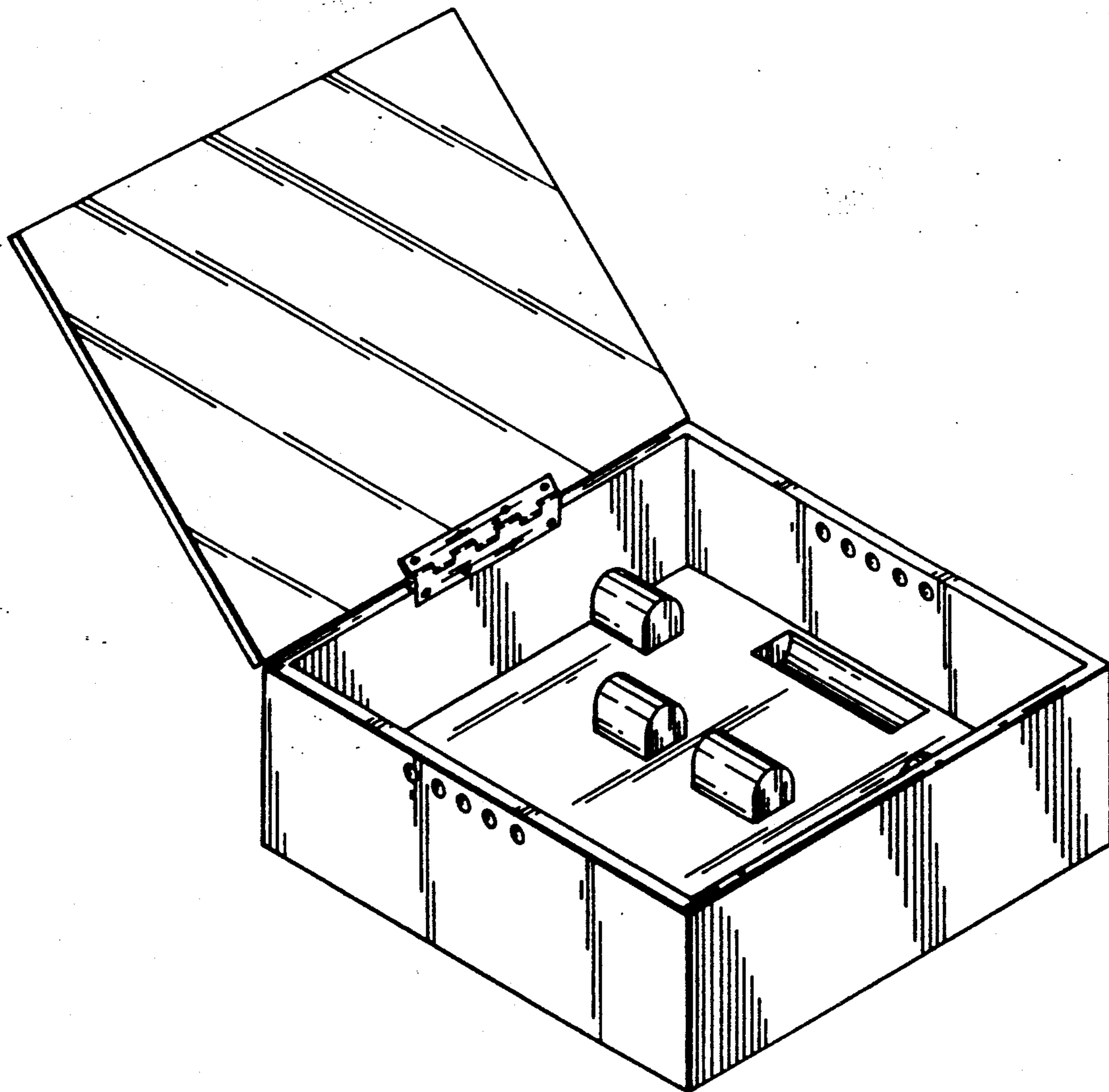
Primary Examiner—Wallace R. Burke
Assistant Examiner—P. Schmidt
Attorney, Agent, or Firm—Thomas S. Baker, Jr.

[57] CLAIM

The ornamental design for a razor storage container, as shown and described.

DESCRIPTION

FIG. 1 is a top perspective view of a razor storage container, with the lid element shown in an opened position, showing my new design;
FIG. 2 is a top plan view thereof, with the lid element shown in a closed position;
FIG. 3 is a front elevational view thereof;
FIG. 4 is a rear elevational view thereof;
FIG. 5 is a side elevational view thereof, the undisclosed side being the same;
FIG. 6 is a bottom plan view thereof; and
FIG. 7 is a top perspective view thereof, with the lid element shown in an opened position, as seen from the opposite side of FIG. 1.



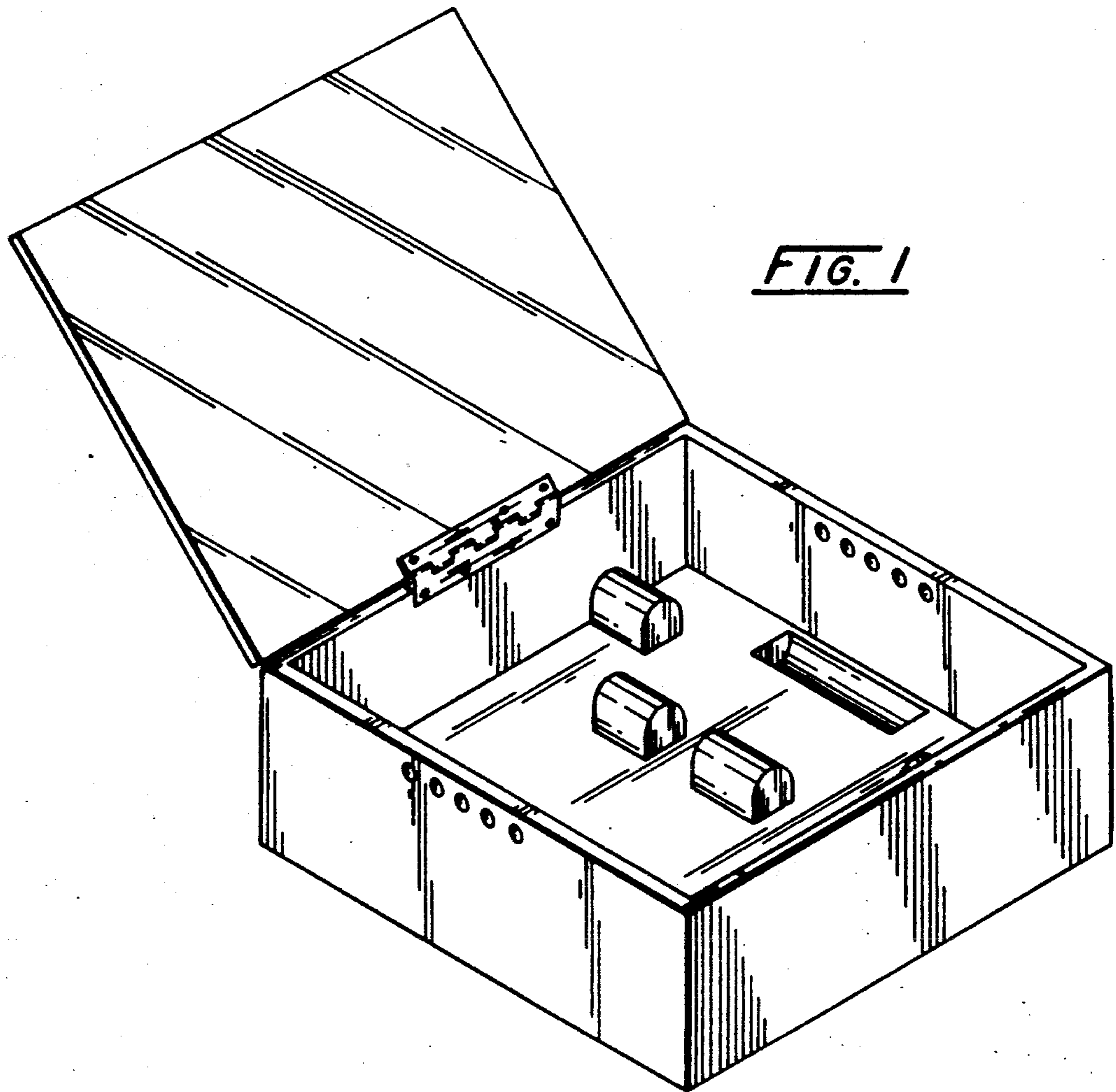


FIG. 1

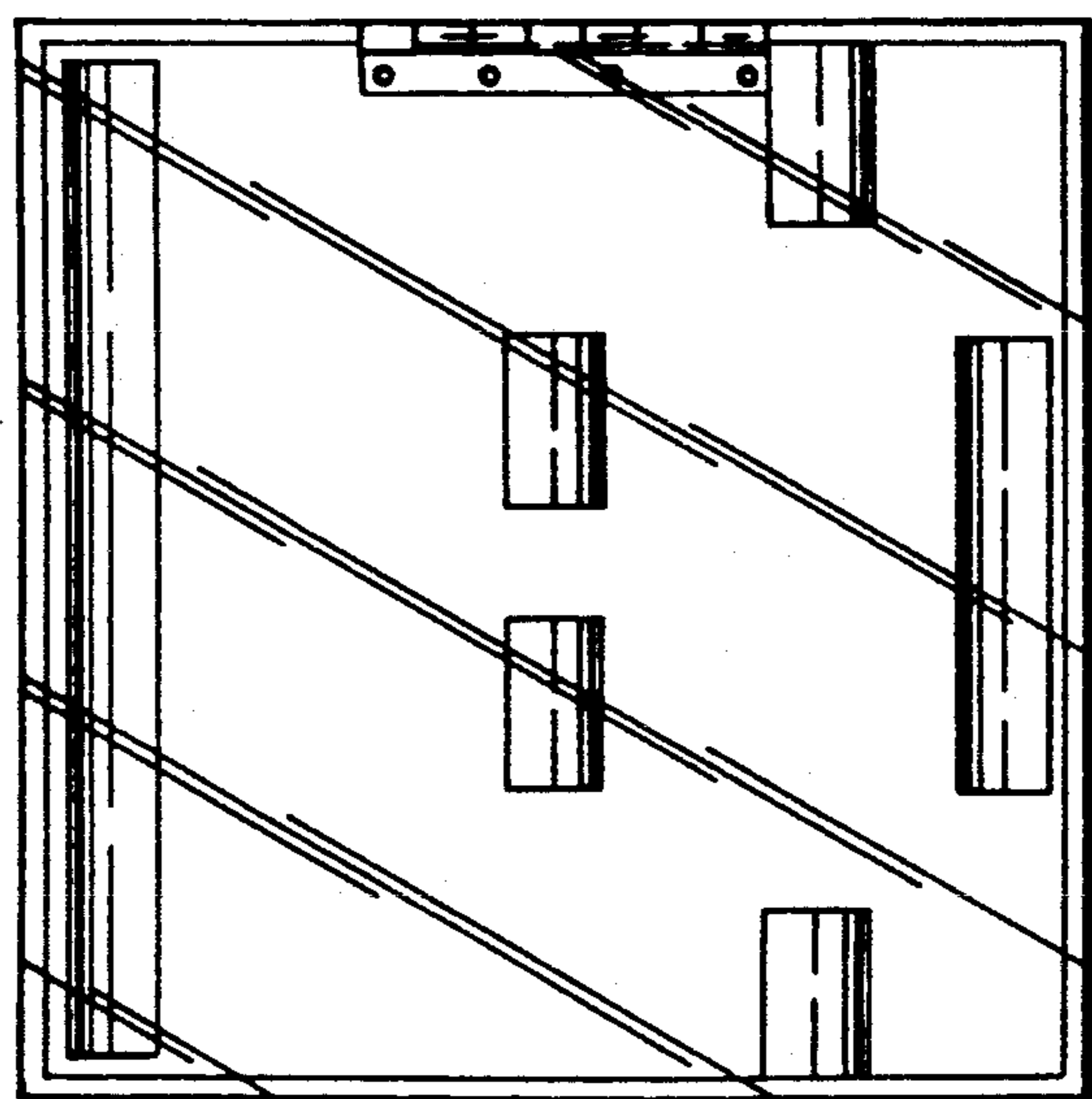


FIG. 2

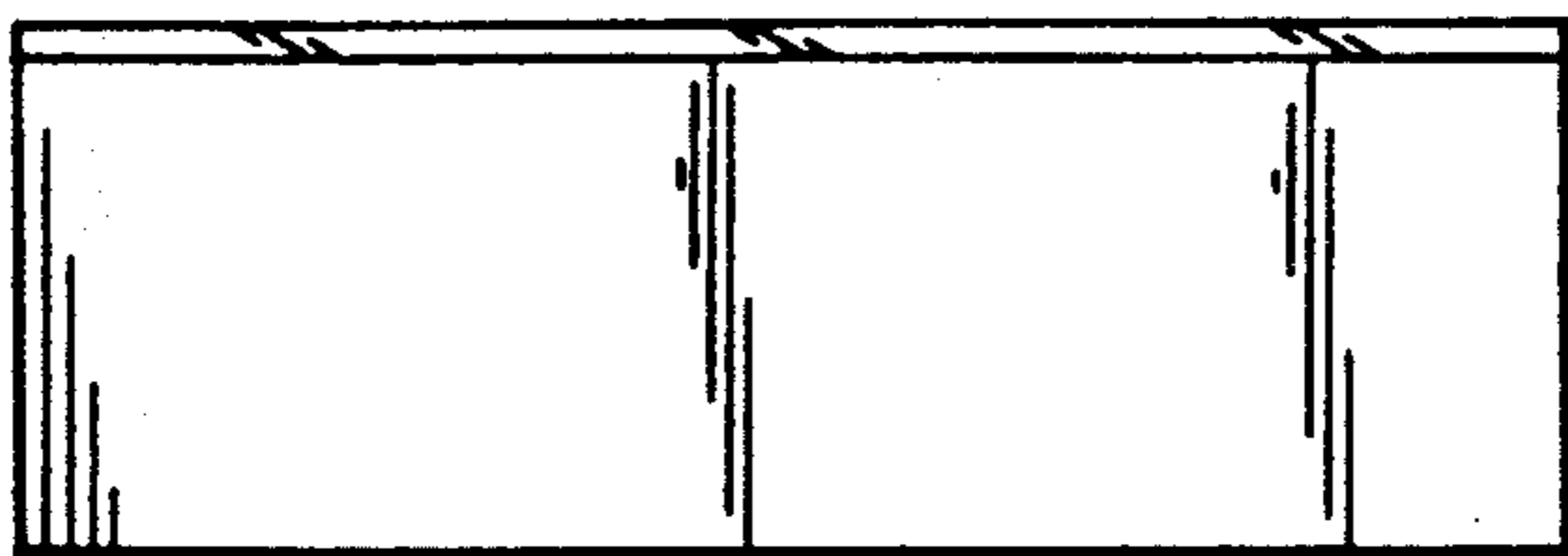


FIG. 3

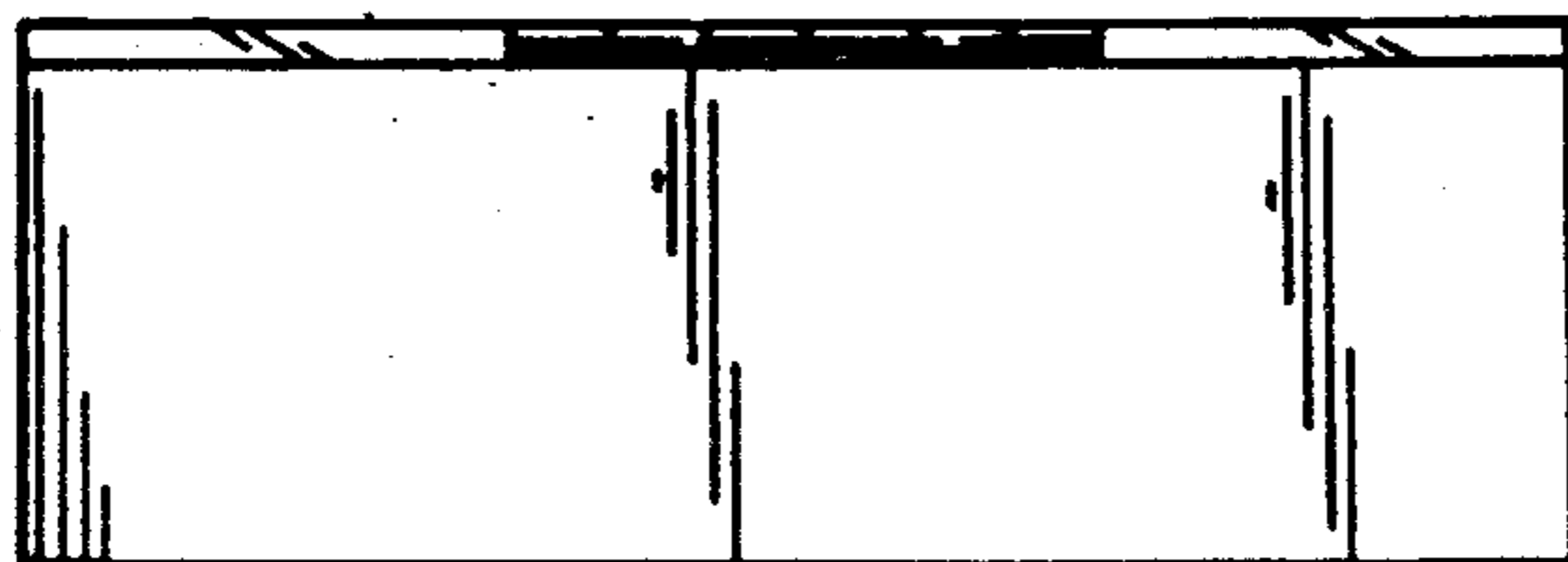


FIG. 4

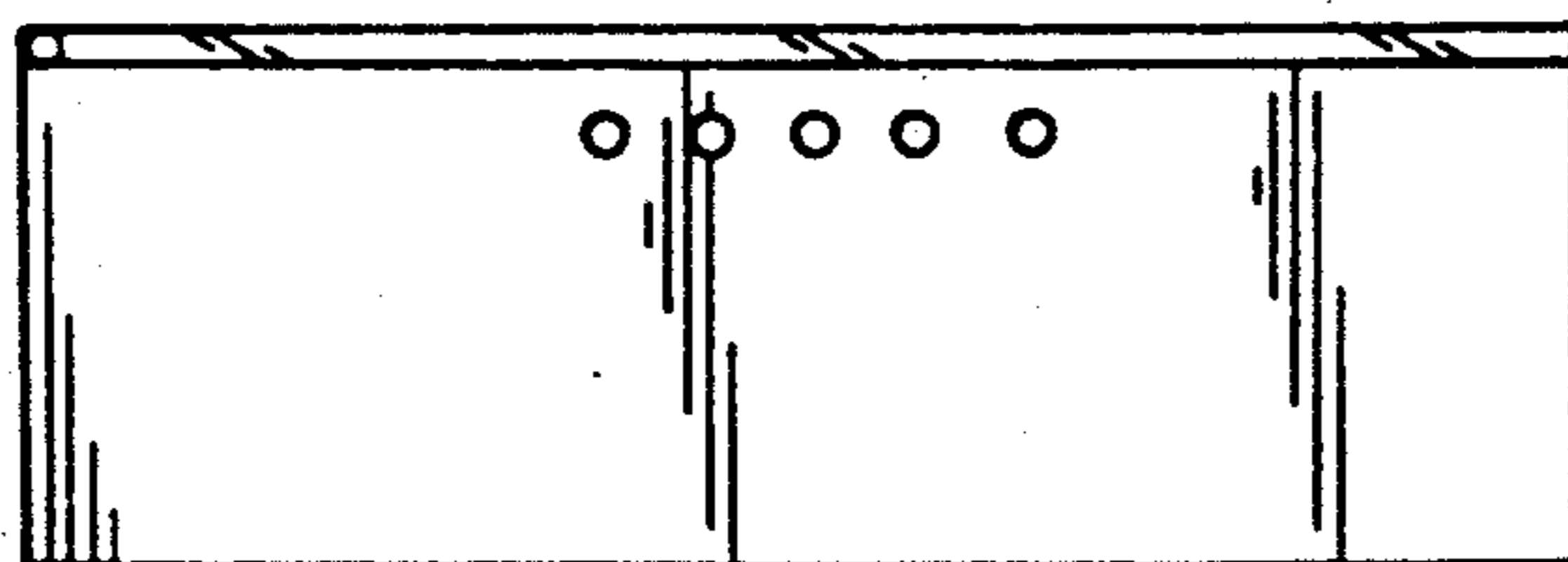


FIG. 5

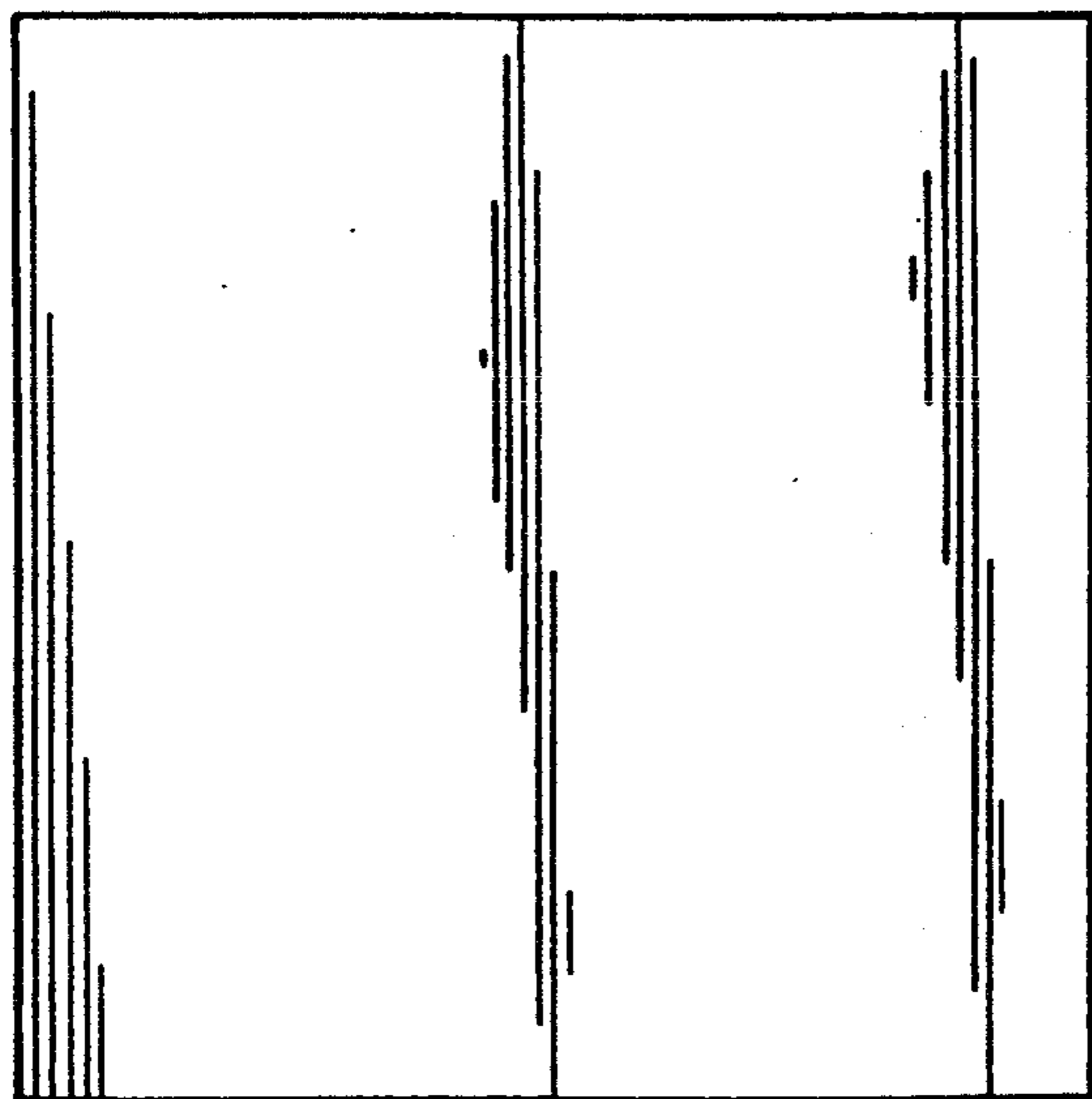


FIG. 6

FIG. 7

