



US00D323051S

United States Patent [19]

[11] Patent Number: **Des. 323,051**

Baggott

[45] Date of Patent: **** Jan. 7, 1992**

[54] **FOOD TRANSPORT CART OR SIMILAR ARTICLE**

2,948,798 8/1960 Ness 280/79.2
4,550,956 11/1985 Cohn et al. 312/250
4,678,214 7/1987 Cohn et al. 312/250

[75] Inventor: **George T. Baggott, Cleveland, Ohio**

Primary Examiner—Kay H. Chin

[73] Assignee: **Import-Export Research and Development, Inc., Cleveland, Ohio**

Attorney, Agent, or Firm—Renner, Otto, Boisselle & Sklar

[**] Term: **14 Years**

[57] **CLAIM**

[21] Appl. No.: **354,930**

The ornamental design for a food transport cart or similar article, as shown and described.

[22] Filed: **Jan. 19, 1989**

DESCRIPTION

[52] U.S. Cl. **D34/19; D34/14**

[58] Field of Search **D34/12, 17, 18, 19, D34/20, 21; 280/79.11, 79.3, 79.2; 312/250, 214, 350; D6/446, 445, 448**

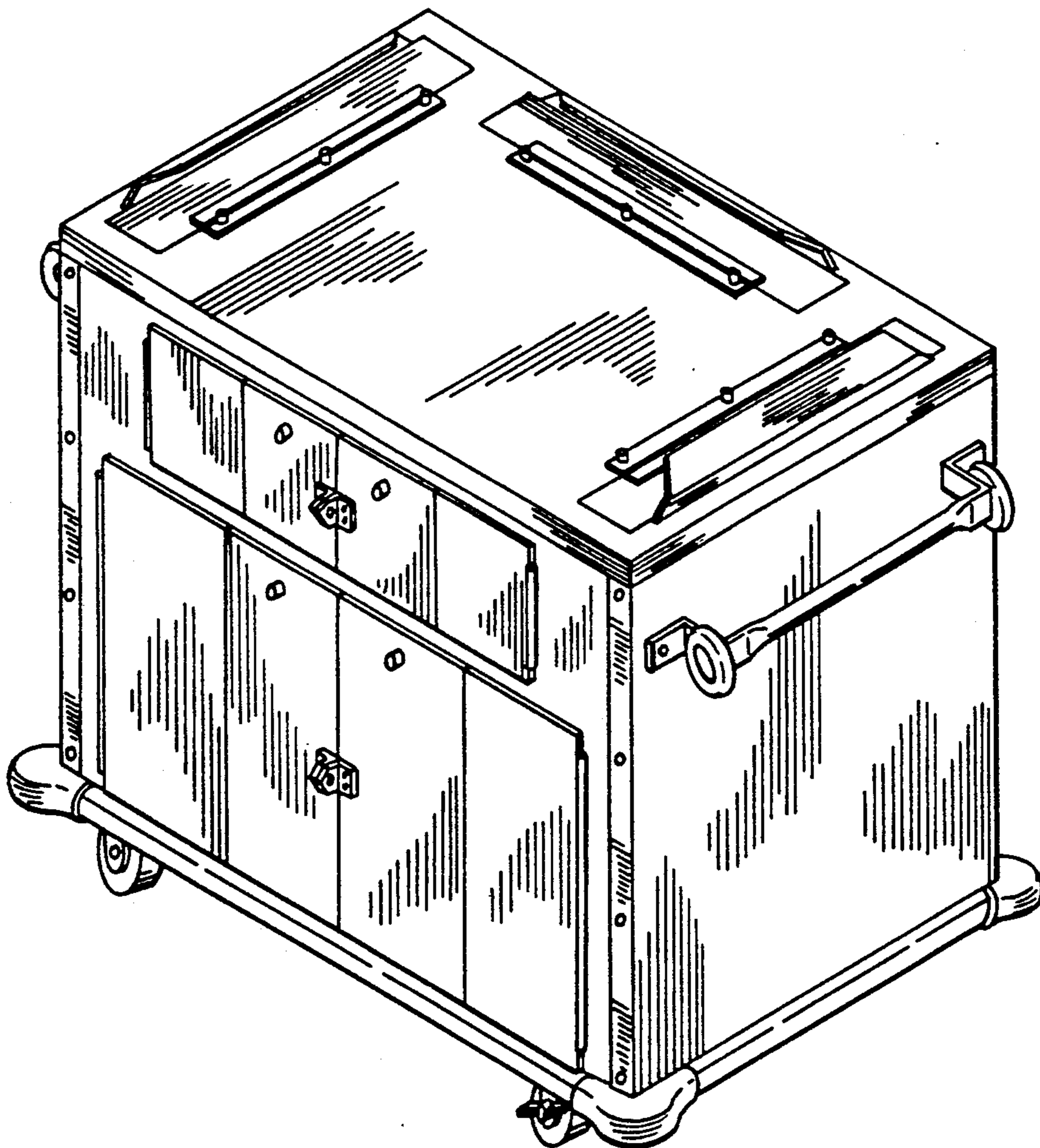
FIG. 1 is a perspective view of a food transport cart or similar article showing my new design;
FIG. 2 is a front elevational view thereof;
FIG. 3 is a side elevational view thereof, the other side being a mirror image of that shown;
FIG. 4 is a rear elevational view thereof; and
FIG. 5 is a top plan view thereof.

[56] **References Cited**

U.S. PATENT DOCUMENTS

D. 230,257 2/1974 Corini D34/19
D. 281,363 11/1985 Carvel D34/14

The bottom of the food transport cart or similar article is plain and unornamented.



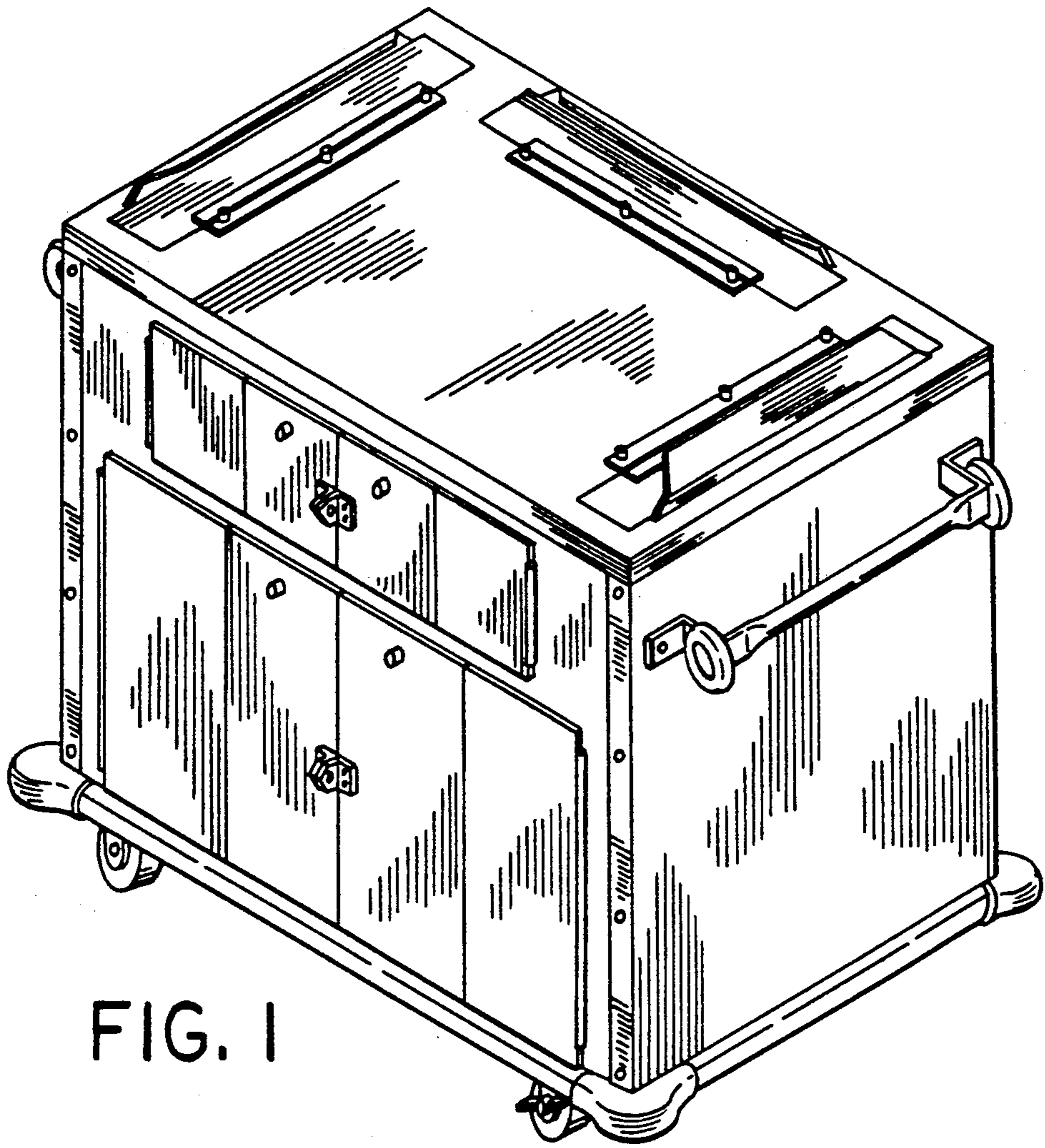


FIG. 1

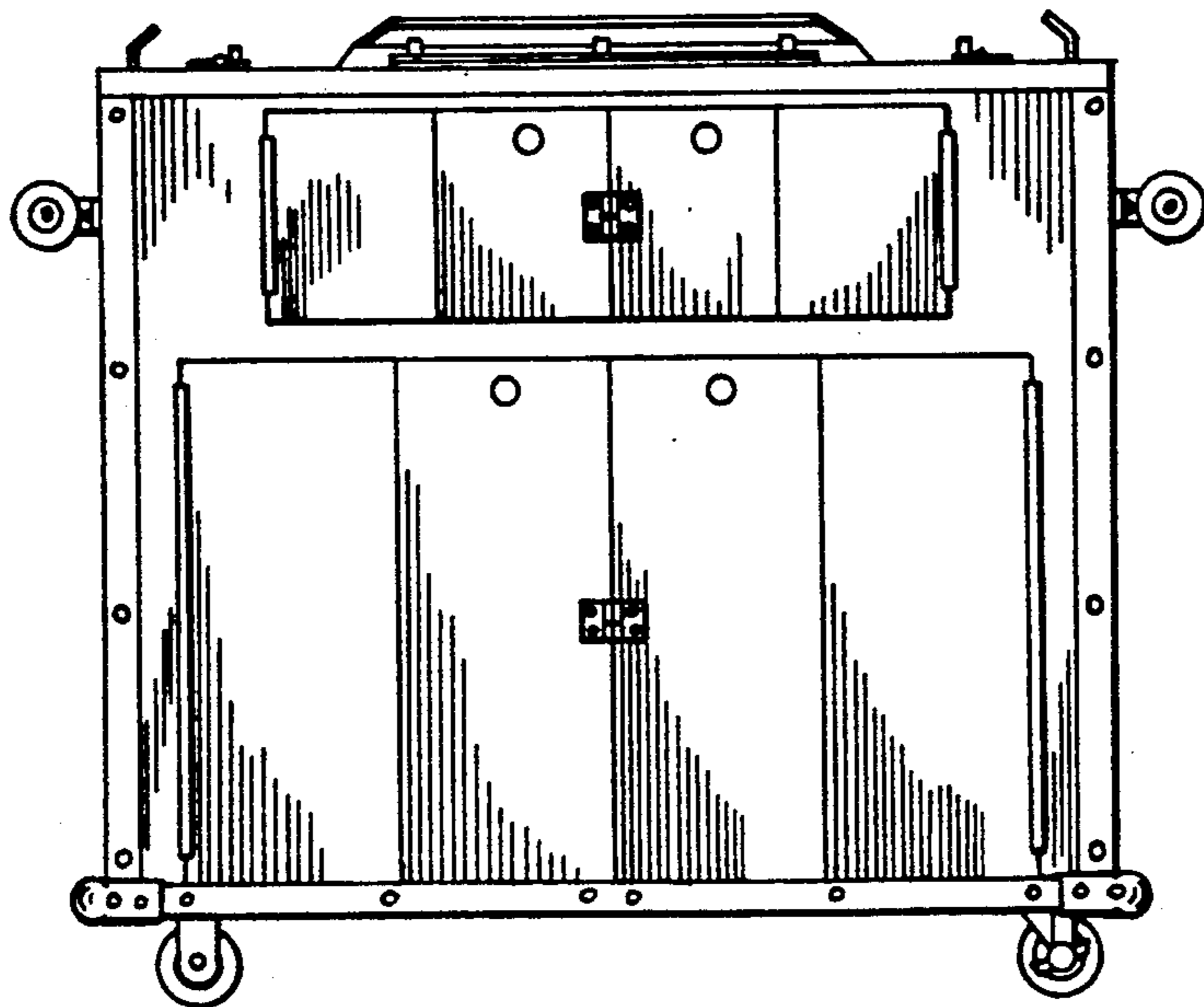


FIG. 2

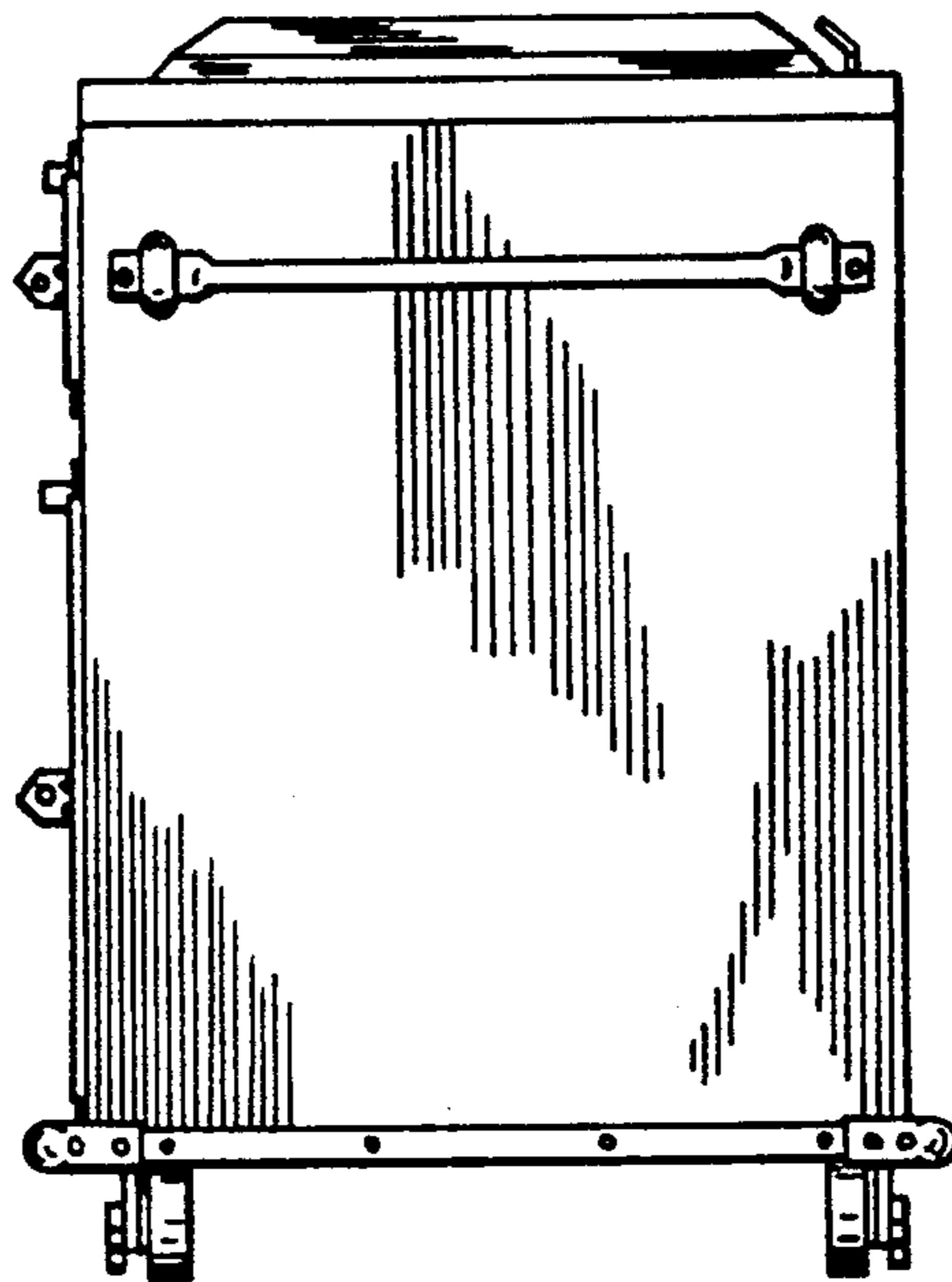


FIG. 3

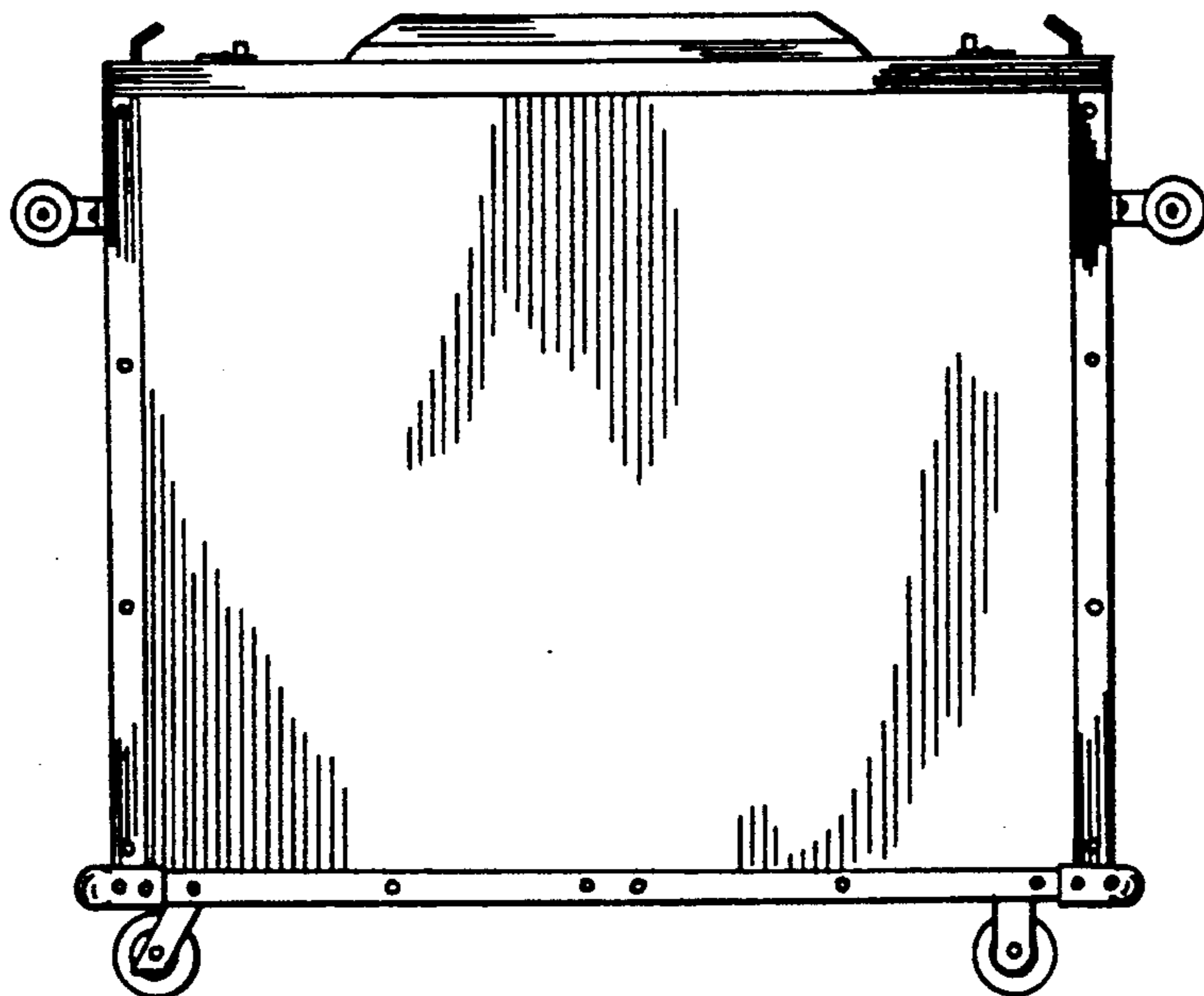


FIG. 4

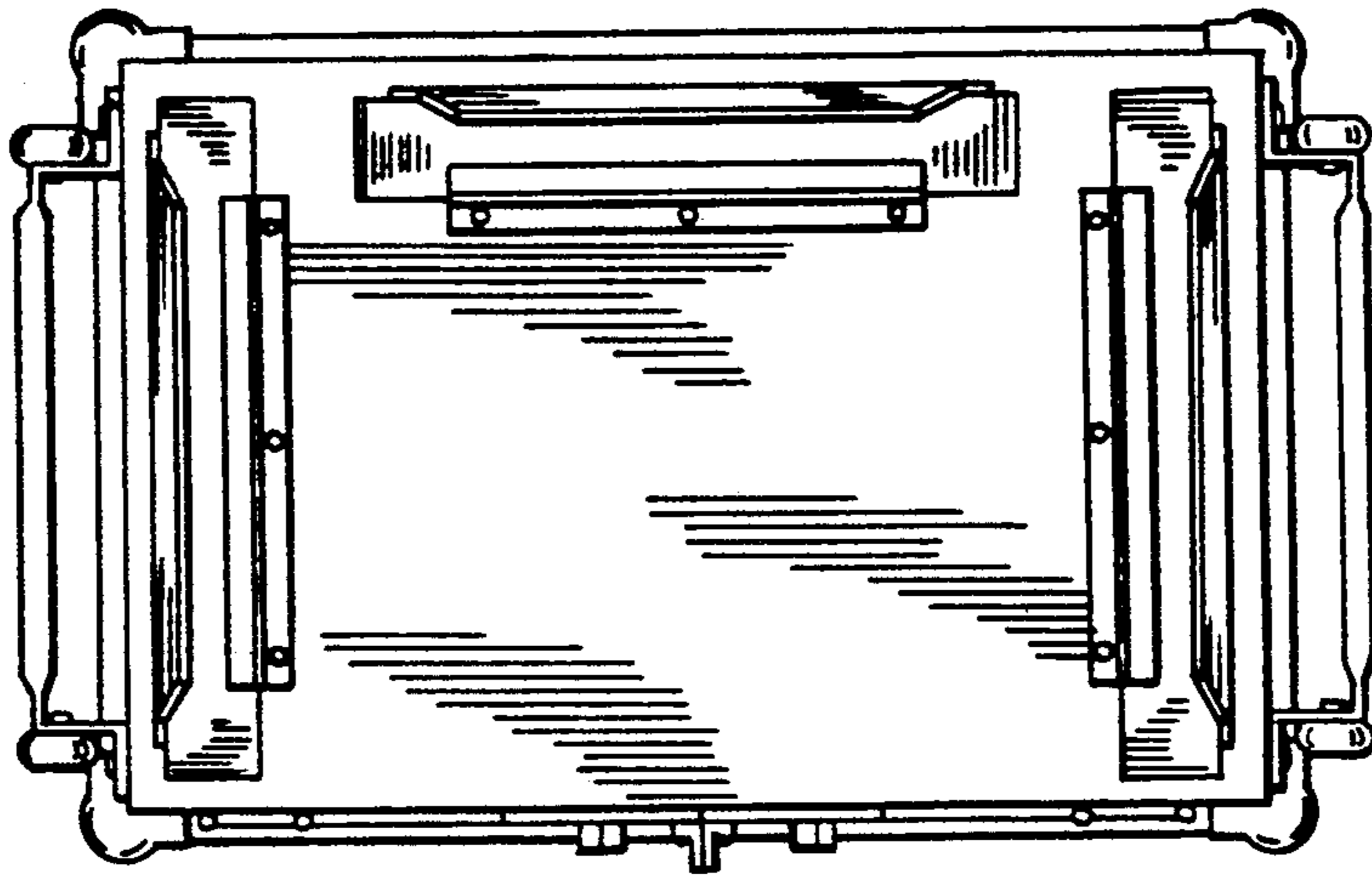


FIG. 5