



US00D323050S

United States Patent [19]

[11] Patent Number: **Des. 323,050**

Zint

[45] Date of Patent: **** Jan. 7, 1992**

[54] GARDEN CART

[76] Inventor: **Jerry A. Zint**, 16 Sherman Ave., Ft. Thomas, Ky. 41075

[**] Term: **14 Years**

[21] Appl. No.: **519,685**

[22] Filed: **May 7, 1990**

[52] U.S. Cl. **D34/18; D34/17**

[58] Field of Search **D34/12, 17, 23, 27, D34/18; 248/129, 127; 280/79.2, 79.11, 47.34, 79.3, 47.26, 62, 47.37**

[56] **References Cited**

U.S. PATENT DOCUMENTS

D. 205,284	7/1966	Bongiorno	D34/17
3,399,903	9/1968	Bailey	280/47.34
4,222,580	9/1980	Krokonko	280/79.2

Primary Examiner—Kay H. Chin
Attorney, Agent, or Firm—Wood, Herron & Evans

[57] **CLAIM**

The ornamental design for a garden cart, as shown and described.

DESCRIPTION

FIG. 1 is a front and top perspective view of a garden cart showing my new design; the broken lines are for illustrative purposes only and form no part of the claimed design;

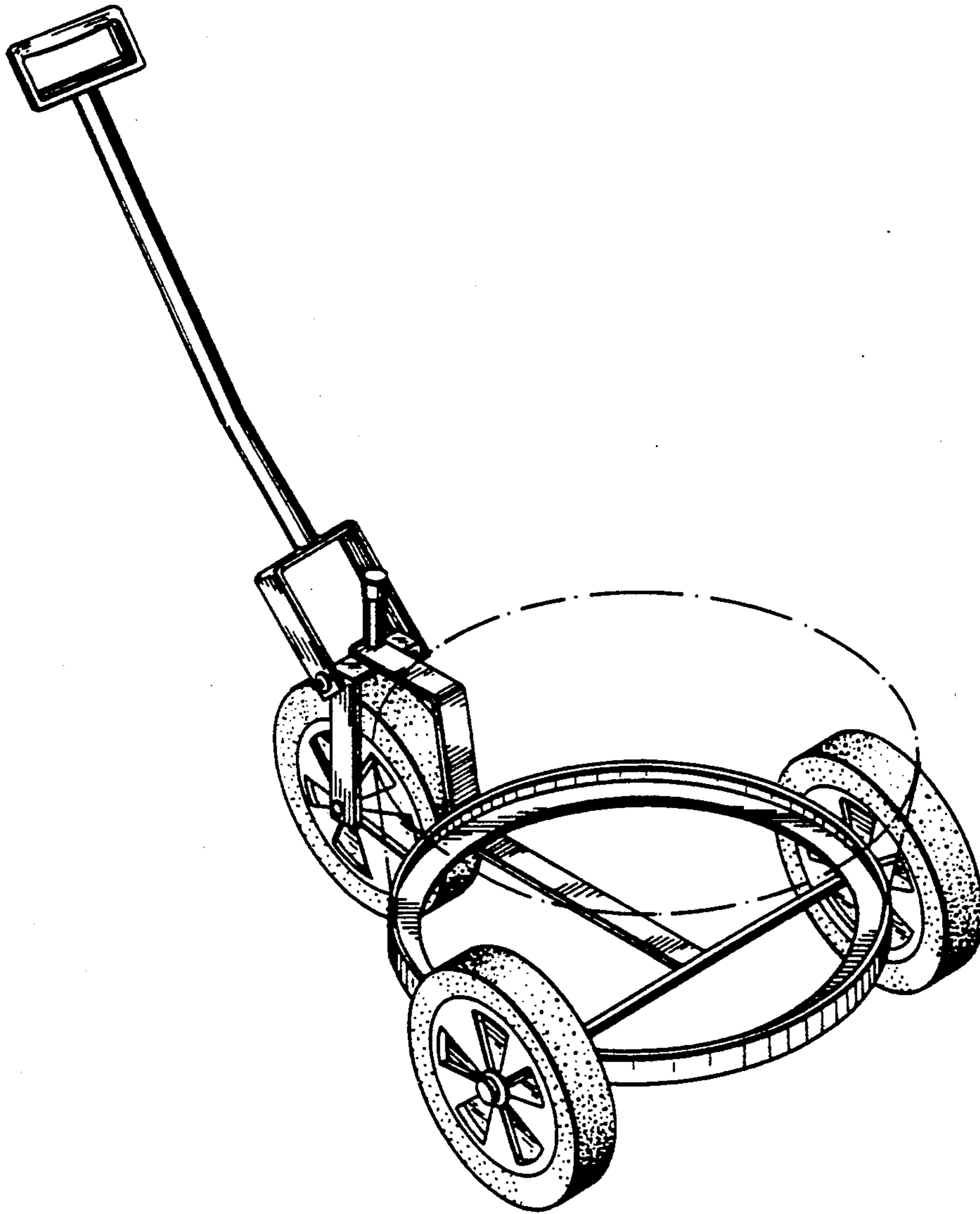
FIG. 2 is a side elevational view thereof, the opposite side view being a mirror image of that shown;

FIG. 3 is a front elevational view thereof;

FIG. 4 is a rear elevational view thereof;

FIG. 5 is a top plan view thereof; and

FIG. 6 is a bottom plan view thereof.



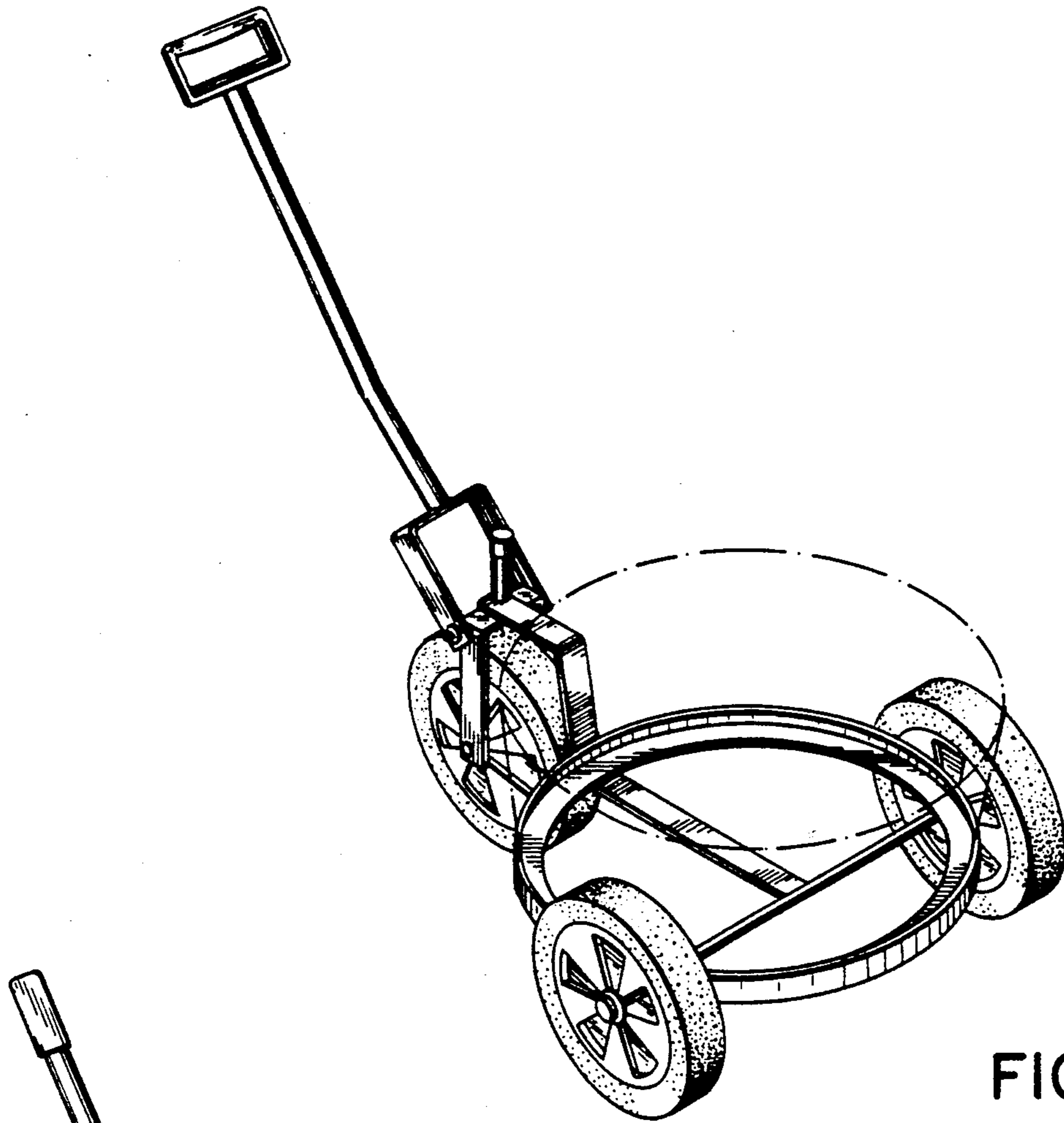


FIG. 1

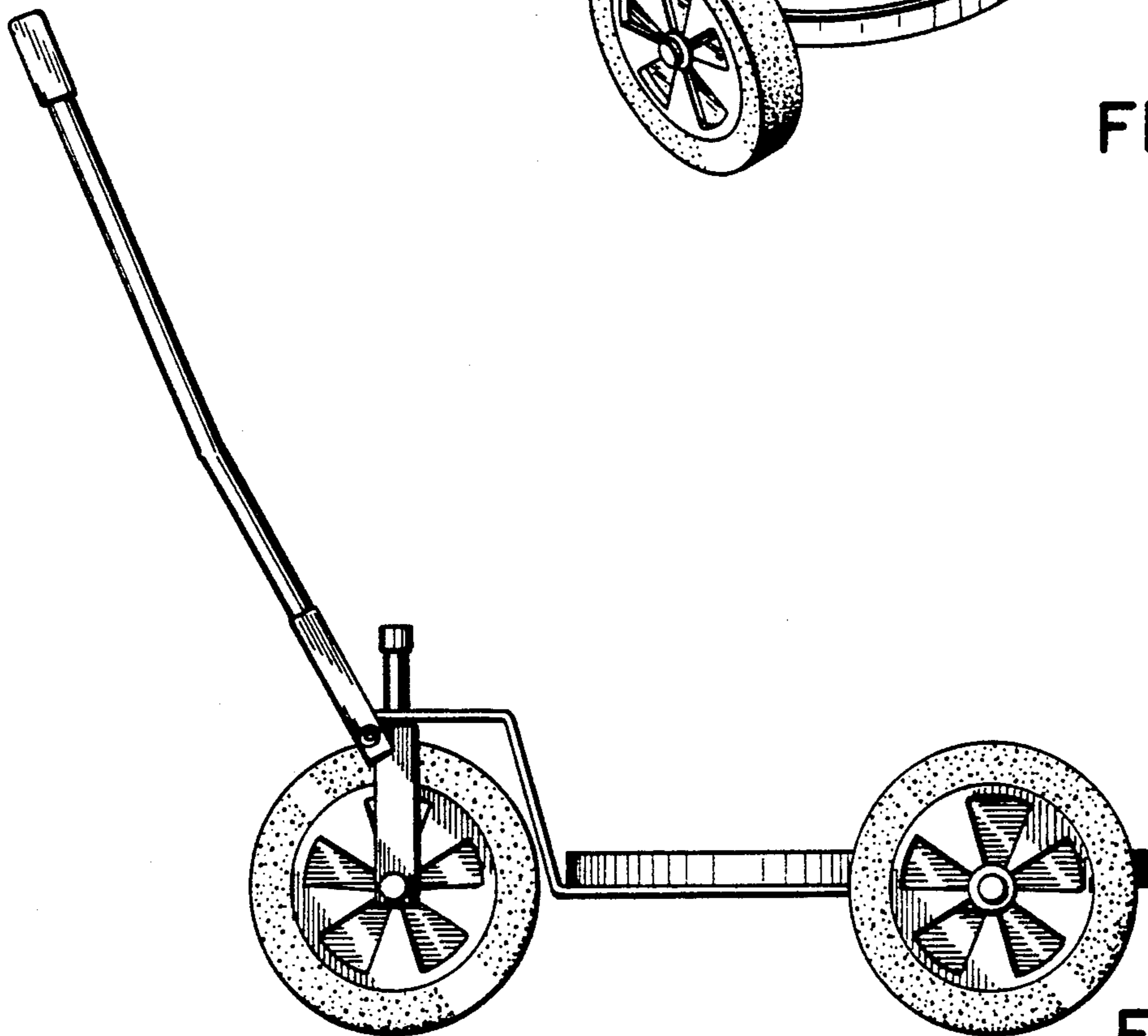


FIG. 2

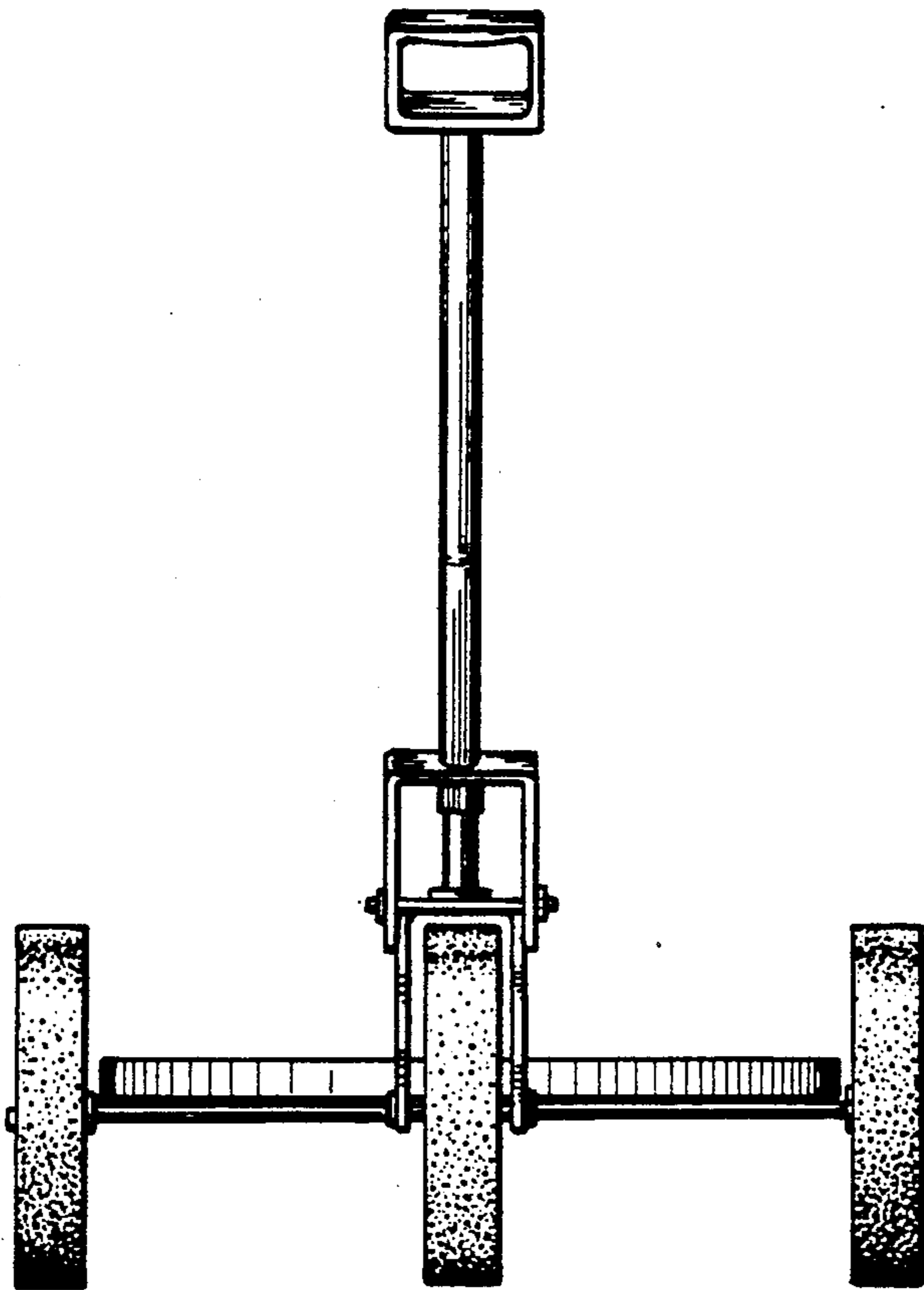


FIG. 3

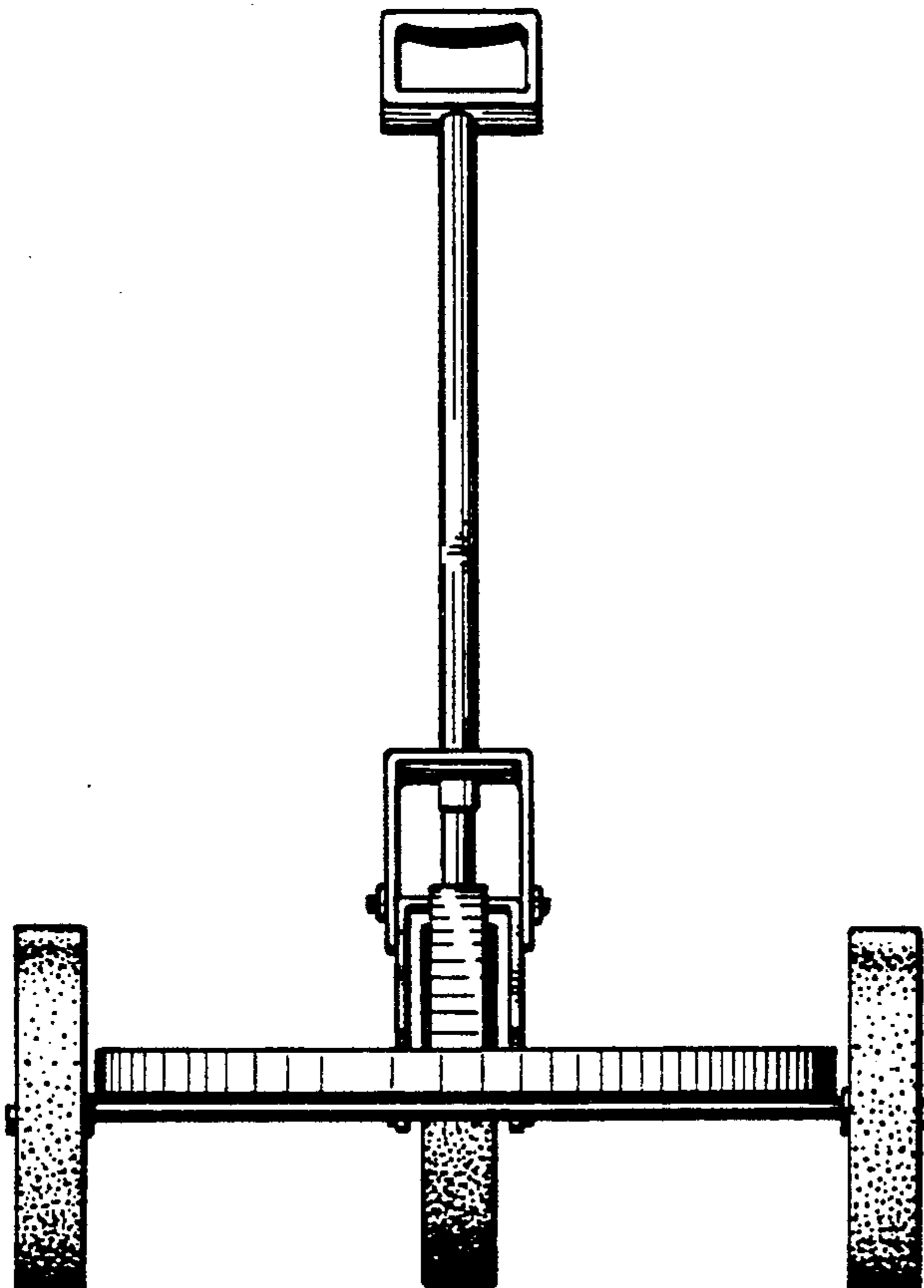


FIG. 4

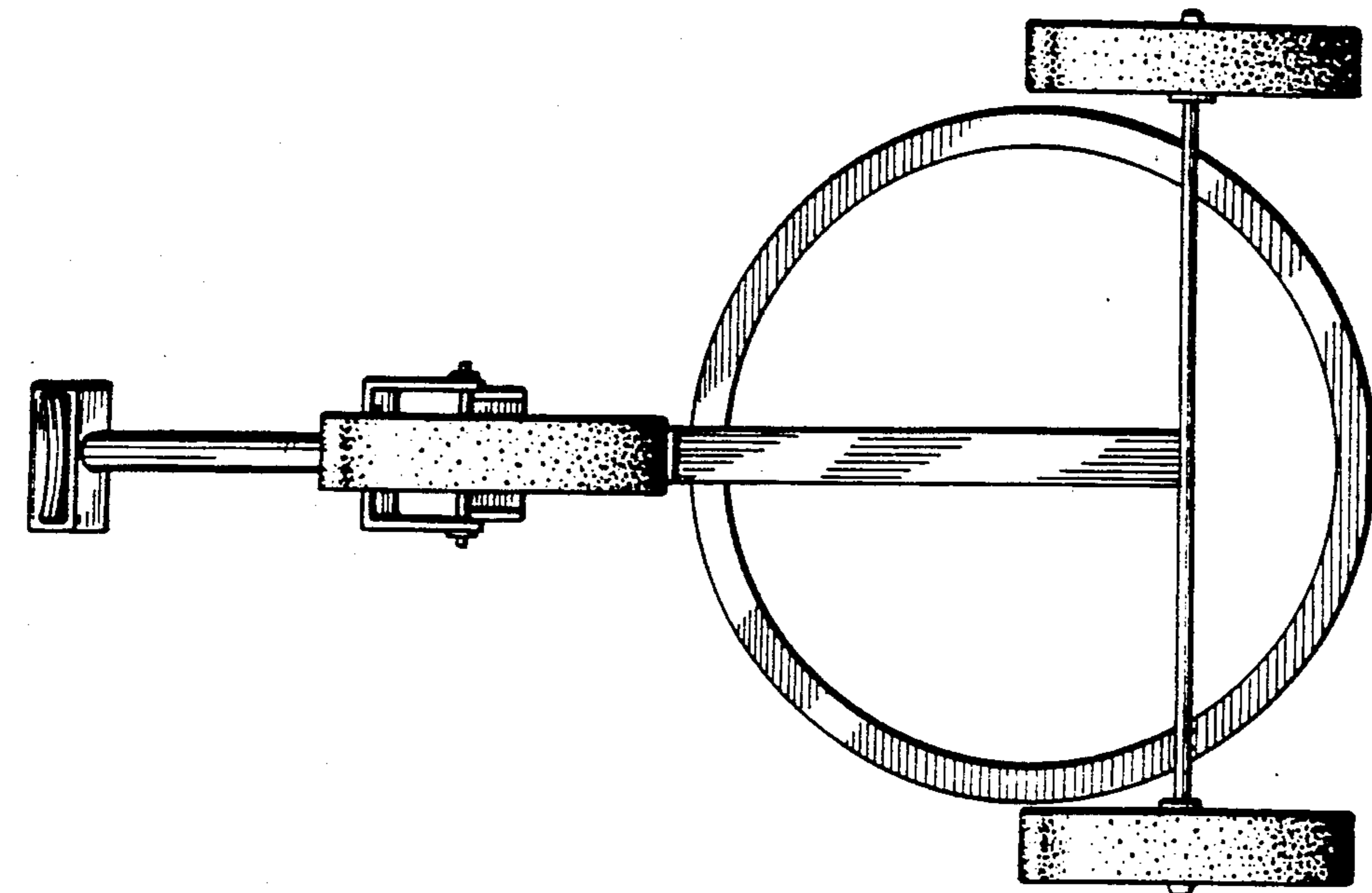


FIG. 6

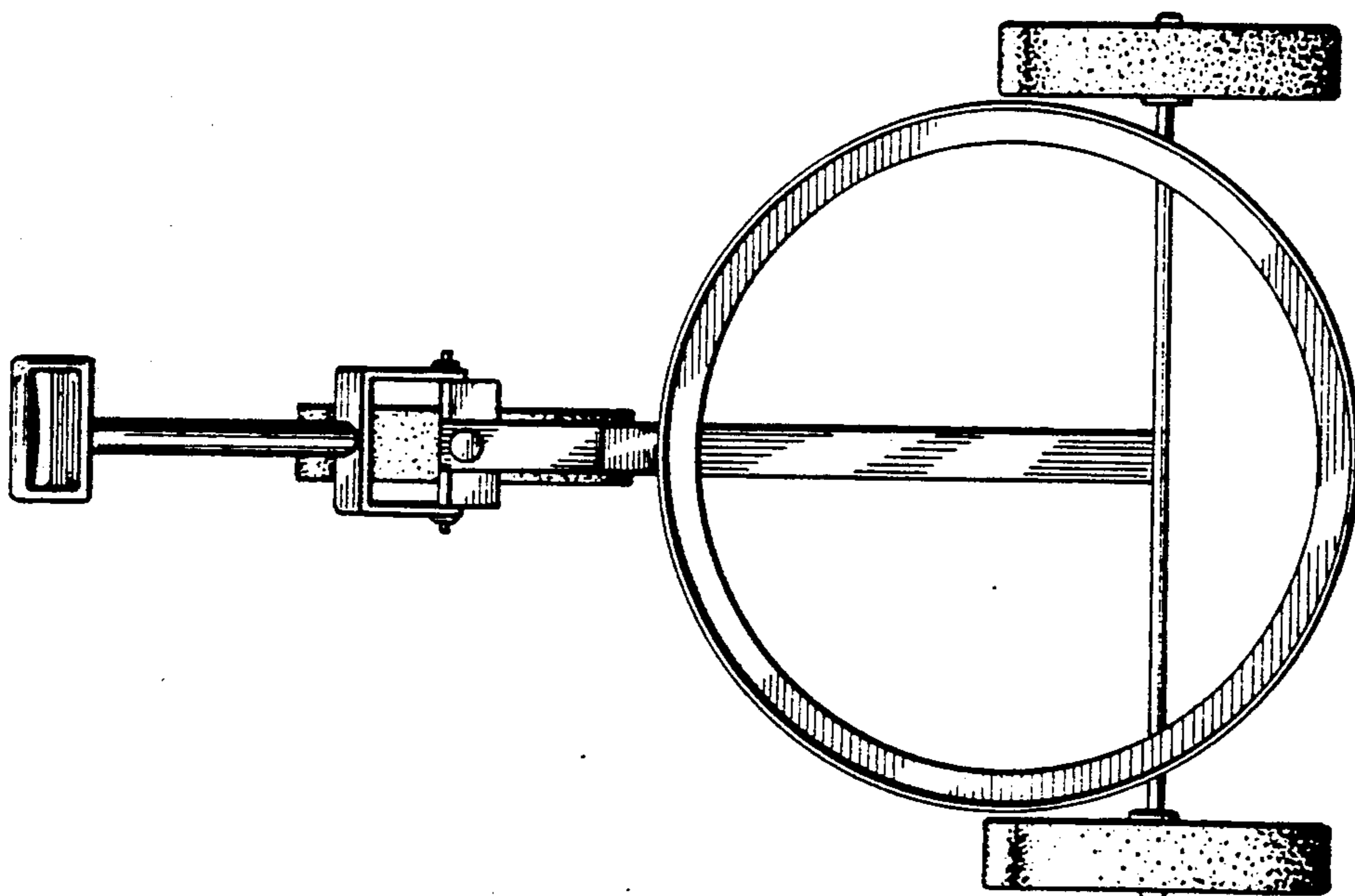


FIG. 5