



US00D323046S

United States Patent [19]

Farmer

[11] Patent Number: **Des. 323,046**

[45] Date of Patent: **** Jan. 7, 1992**

- [54] WINDSHIELD ICE SCRAPER
- [75] Inventor: Michael J. Farmer, Sioux Falls, S. Dak.
- [73] Assignee: Luverne Truck Equipment, Inc., Brandon, S. Dak.
- [**] Term: 14 Years
- [21] Appl. No.: 487,791
- [22] Filed: Mar. 5, 1990
- [52] U.S. Cl. D32/46
- [58] Field of Search D4/116, 118; D8/14, D8/45, 90; D32/35, 40, 46-49; 15/105, 111, 236.01-236.09; 30/164.6-164.9, 169, 171-172, 340, 342-344, 346, 348-349, 351, 353, 355, 357

- [56] **References Cited**
- U.S. PATENT DOCUMENTS**
- D. 187,462 3/1960 Elliot, Jr. D32/49
- D. 188,096 6/1960 Jorgensen D32/49

- D. 241,498 9/1976 Smith D32/49
- D. 279,415 6/1985 Osrow et al. D32/49

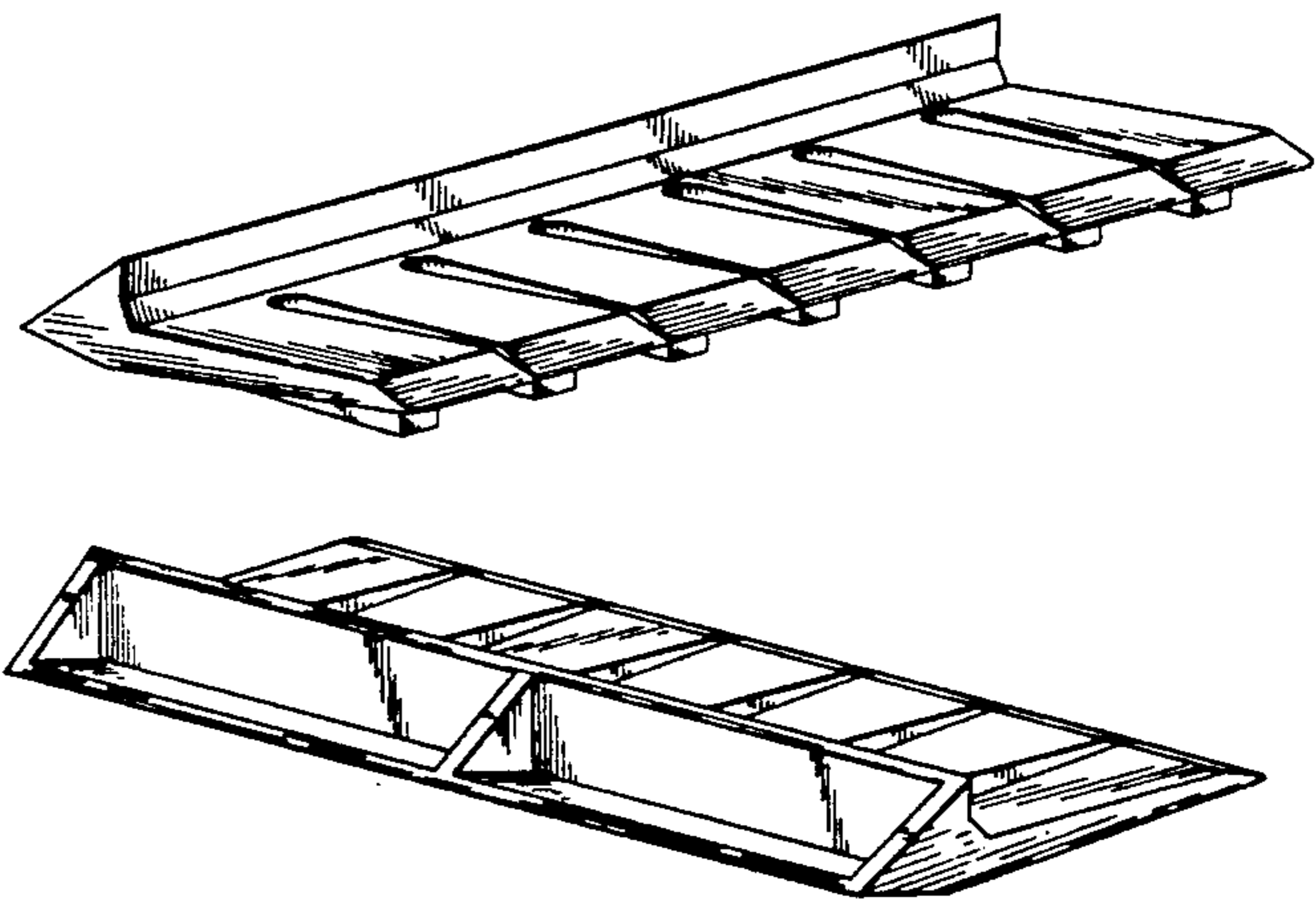
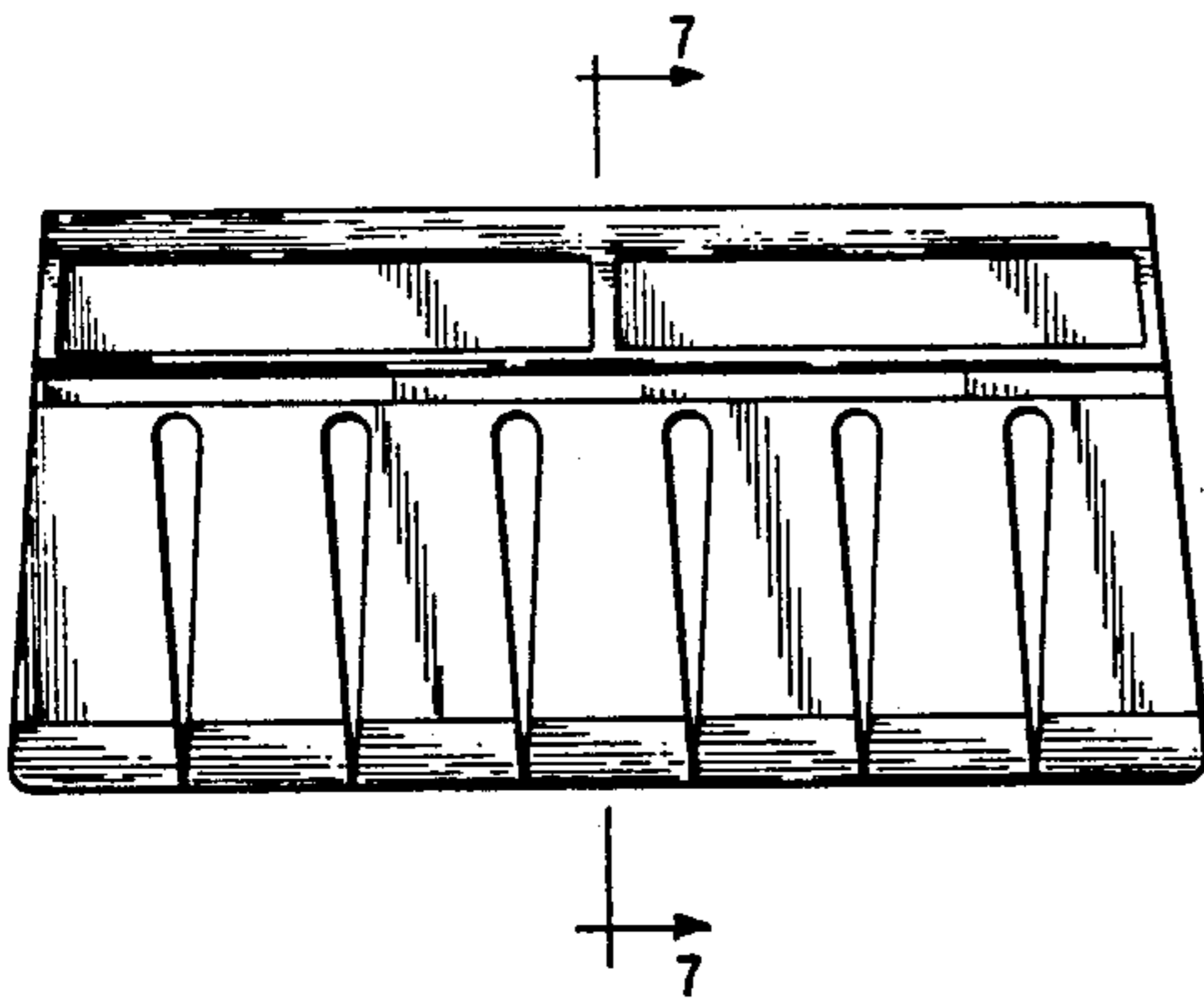
Primary Examiner—Wallace R. Burke
Assistant Examiner—Lavone D. Tabor

[57] CLAIM

The ornamental design for windshield ice scraper, as shown and described.

DESCRIPTION

FIG. 1 is a top plan view of a windshield ice scraper showing my new design;
 FIG. 2 is a rear elevational view thereof;
 FIG. 3 is a front elevational view thereof;
 FIG. 4 is a bottom plan view thereof;
 FIG. 5 is a side elevational view thereof, the opposite side being a mirror image;
 FIG. 6 is a top and front perspective view thereof;
 FIG. 7 is a sectional view taken along line 7—7 of FIG. 1; and
 FIG. 8 is a top and rear perspective view thereof.



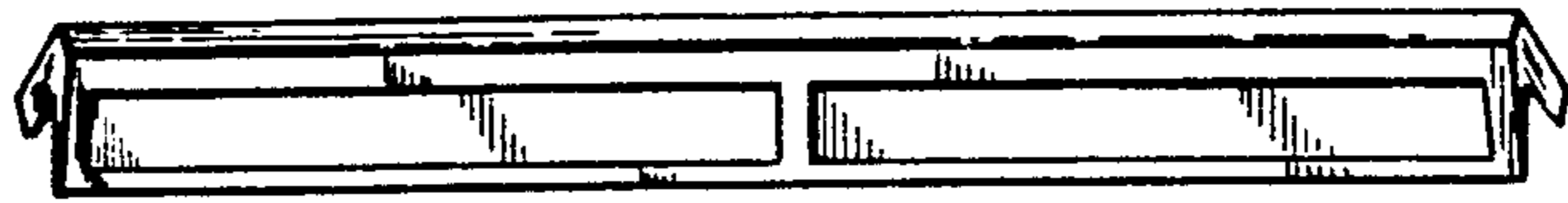


FIG. 2



FIG. 5

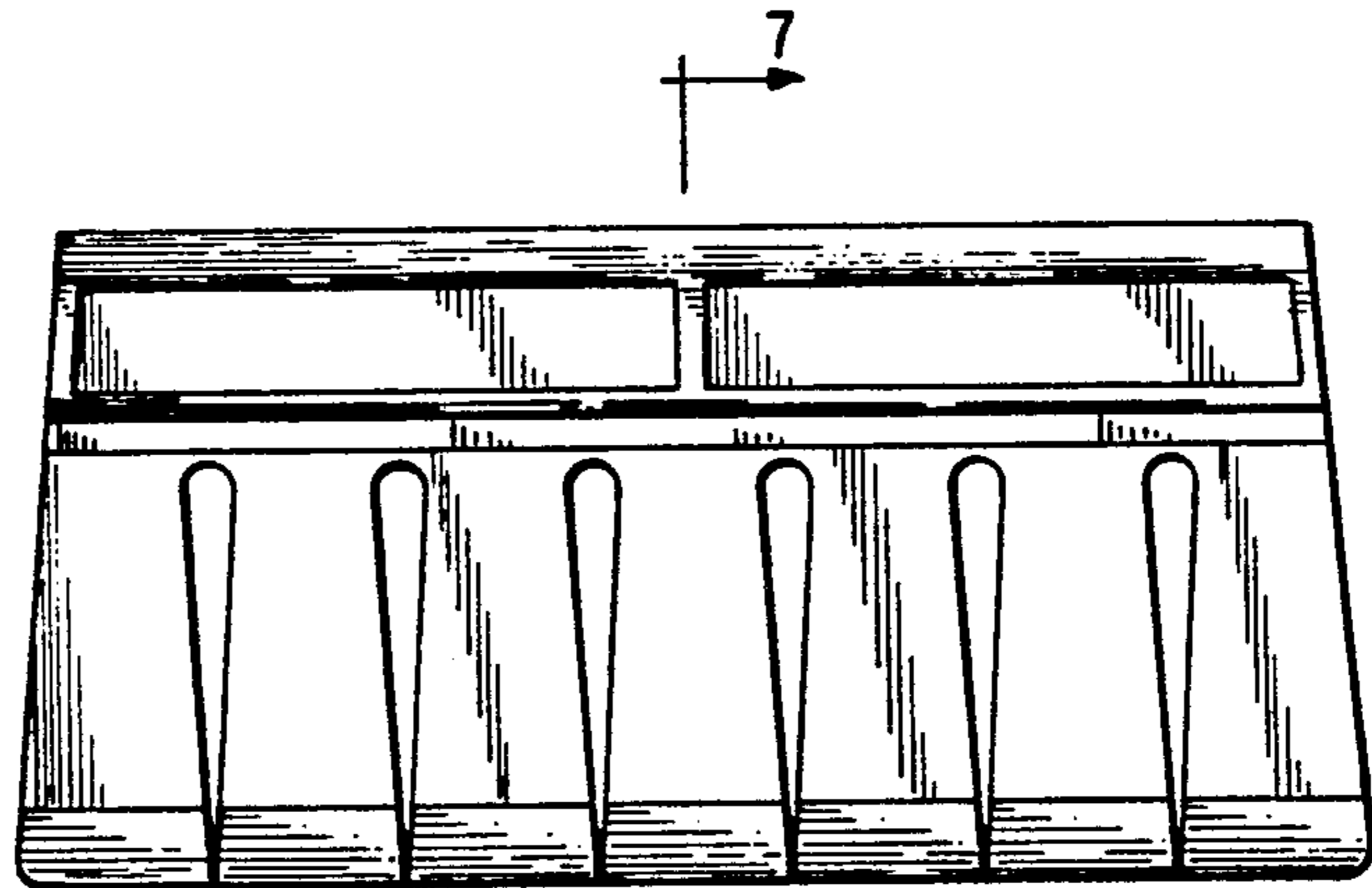


FIG. 1



FIG. 3

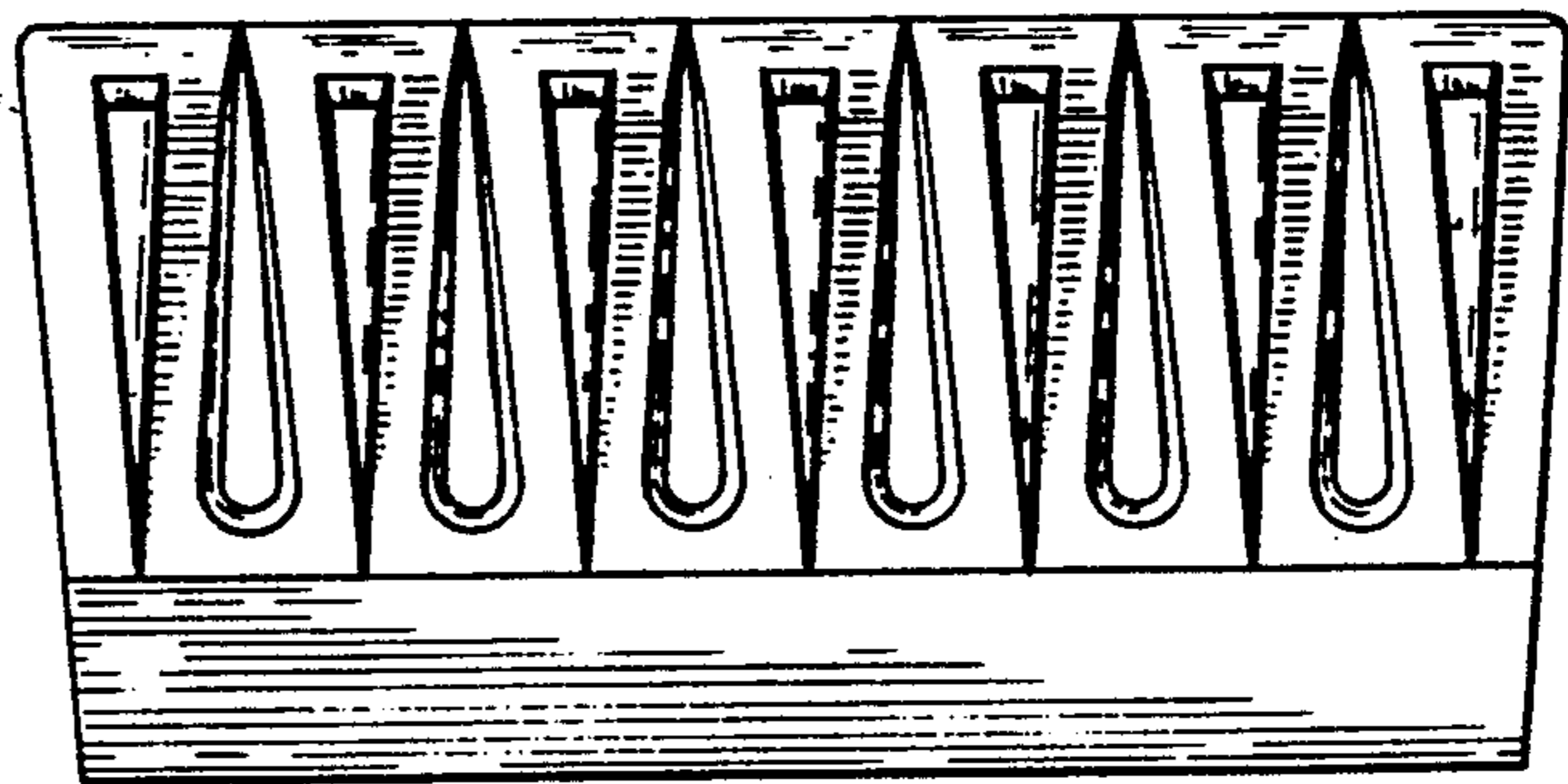


FIG. 4

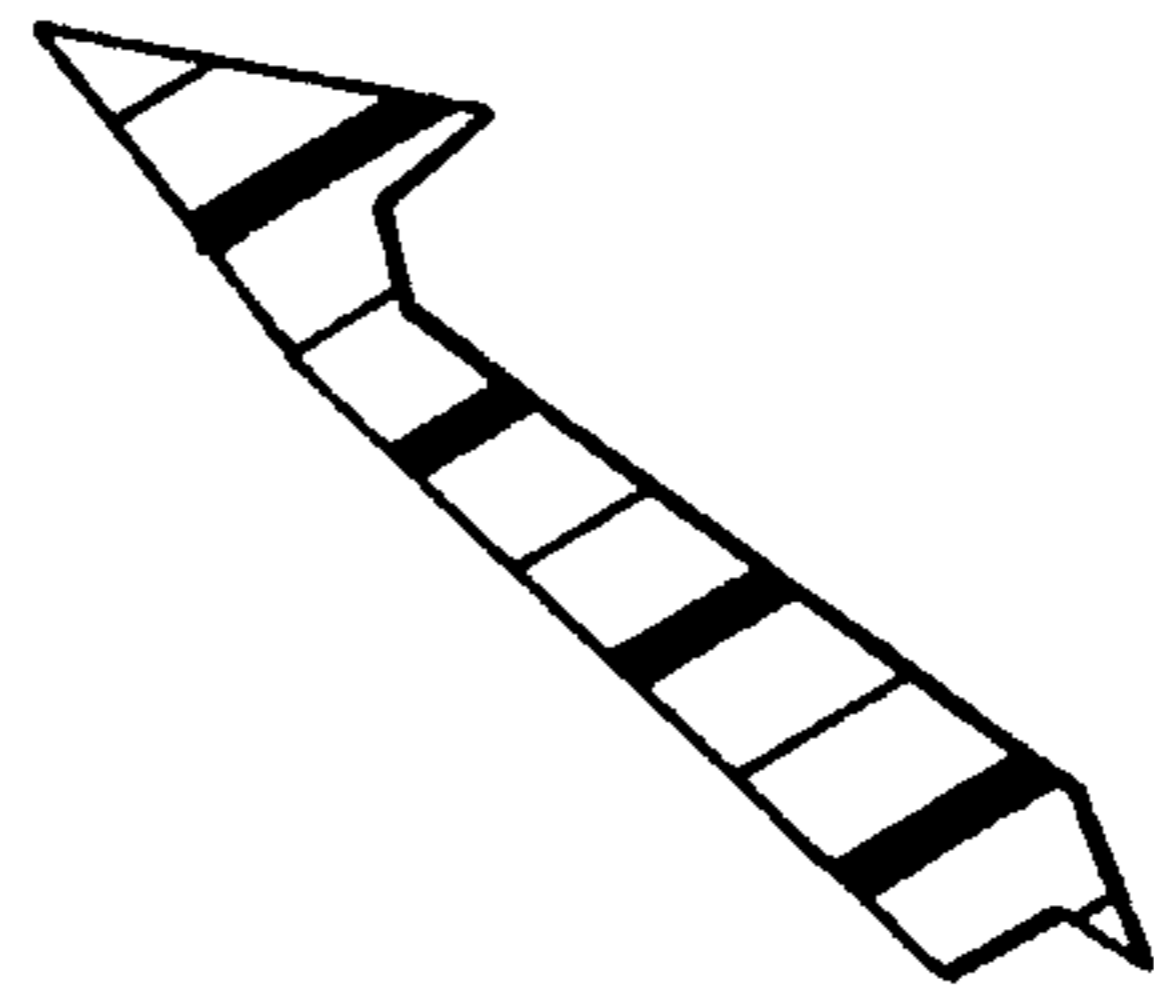


FIG. 7

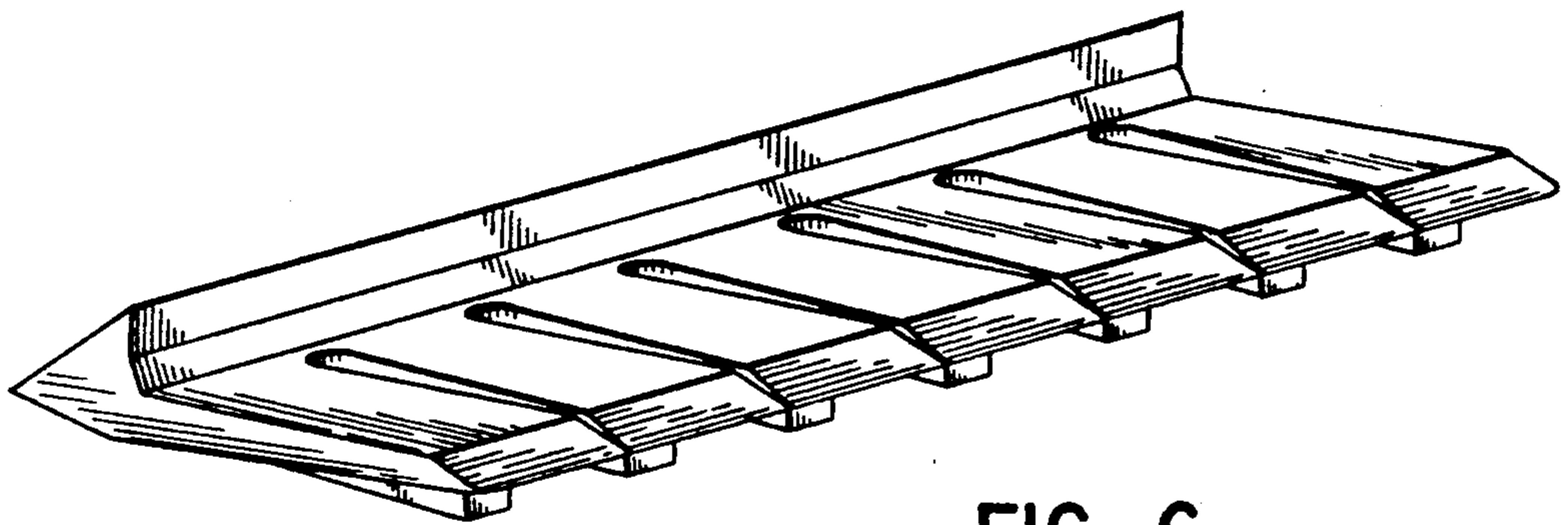


FIG. 6

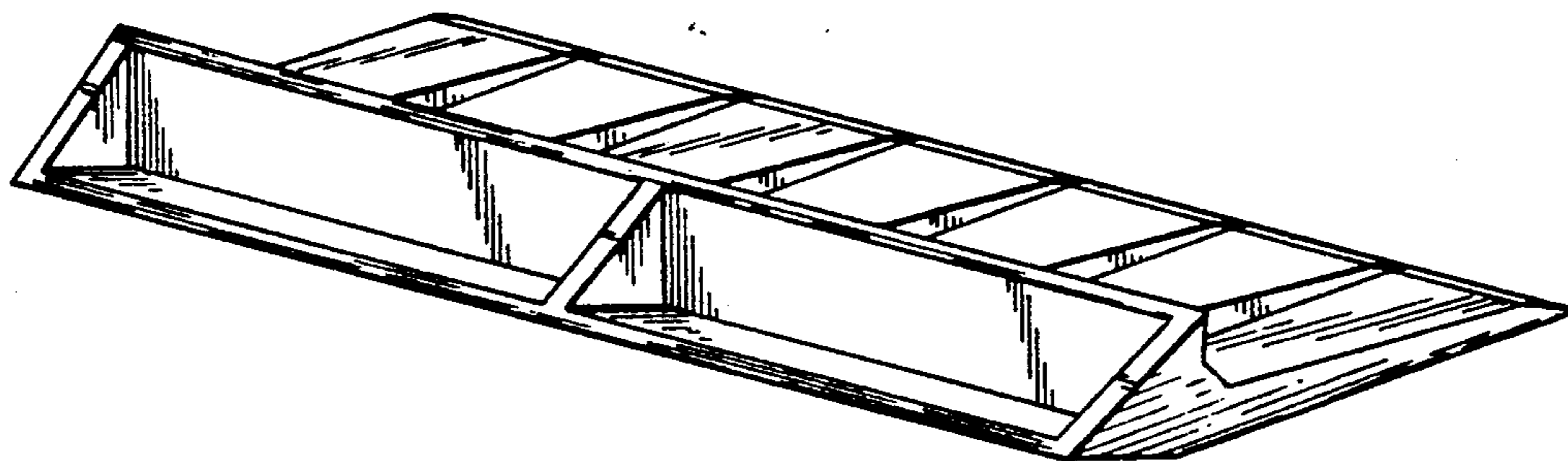


FIG. 8