



US00D323041S

United States Patent [19]

Montagnino et al.

[11] Patent Number: **Des. 323,041**

[45] Date of Patent: **** Jan. 7, 1992**

[54] **HOUSING FOR A HAIRSETTER**

D. 313,285 12/1990 Montagnino et al. D28/38

[75] Inventors: **James G. Montagnino; Richard Gibson; Daniel Santhouse; James Weber; Jack Sullivan**, all of El Paso, Tex.; **George Schmidt**, Douglaston, N.Y.

[73] Assignee: **Helen of Troy Corporation**, El Paso, Tex.

[**] Term: **14 Years**

[21] Appl. No.: **464,748**

[22] Filed: **Jan. 12, 1990**

[52] U.S. Cl. **D28/38**

[58] Field of Search **D28/38; D3/39; 132/233; 219/222, 242**

[56] **References Cited**

U.S. PATENT DOCUMENTS

- D. 180,490 6/1957 Lunan D9/341 X
- D. 216,349 12/1969 Bomeisler D28/38
- D. 218,869 9/1970 Mercer D28/38

OTHER PUBLICATIONS

HFD-Retailing Home Furnishings, 1/3/83, section 1, p. 37-#3, Vidal Sassoon Hair Setter.

Primary Examiner—Bernard Ansher

Assistant Examiner—C. Tuttle

Attorney, Agent, or Firm—Watson, Cole, Grindle & Watson

[57] **CLAIM**

An ornamental design for a housing for a hairsetter, as shown and described.

DESCRIPTION

FIG. 1 is a front elevational view of a housing for a hairsetter showing our new design;
 FIG. 2 is a top plan view thereof;
 FIG. 3 is a rear elevational view thereof;
 FIG. 4 is a left side elevational view thereof;
 FIG. 5 is a bottom plan view thereof;
 FIG. 6 is a side elevational view shown in an open position; and
 FIG. 7 is a top perspective view thereof.

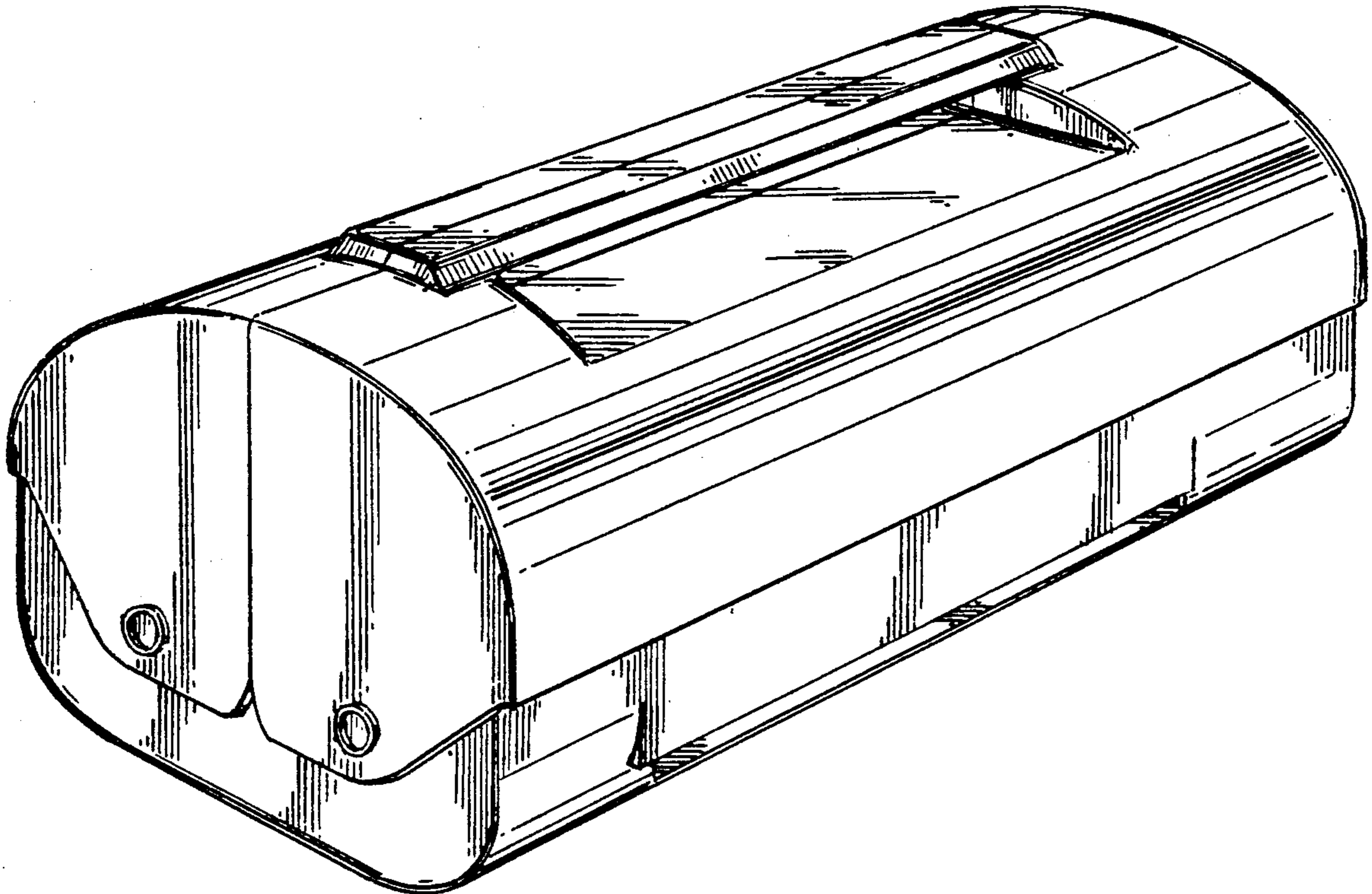


FIG. 1

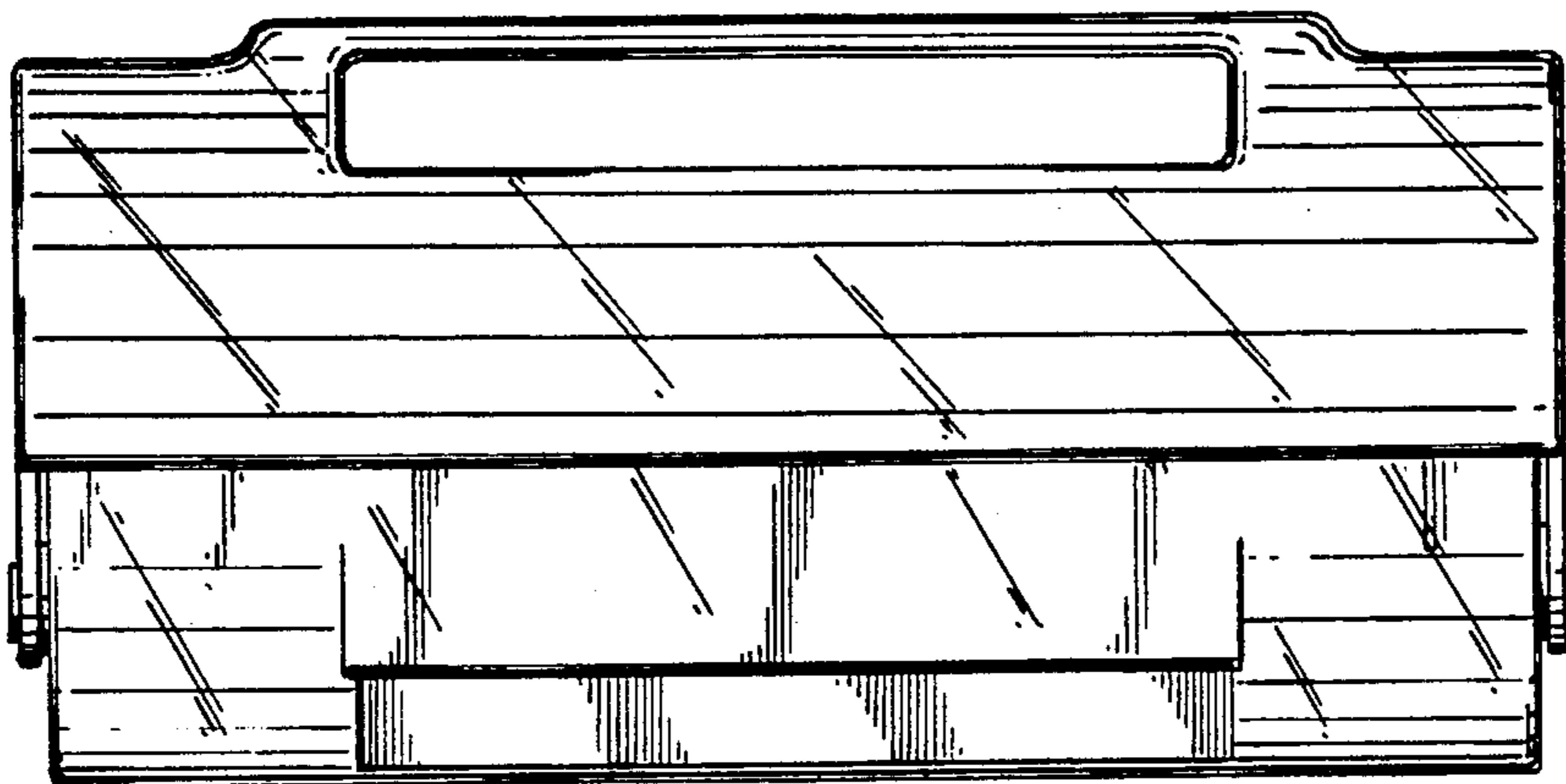


FIG. 2

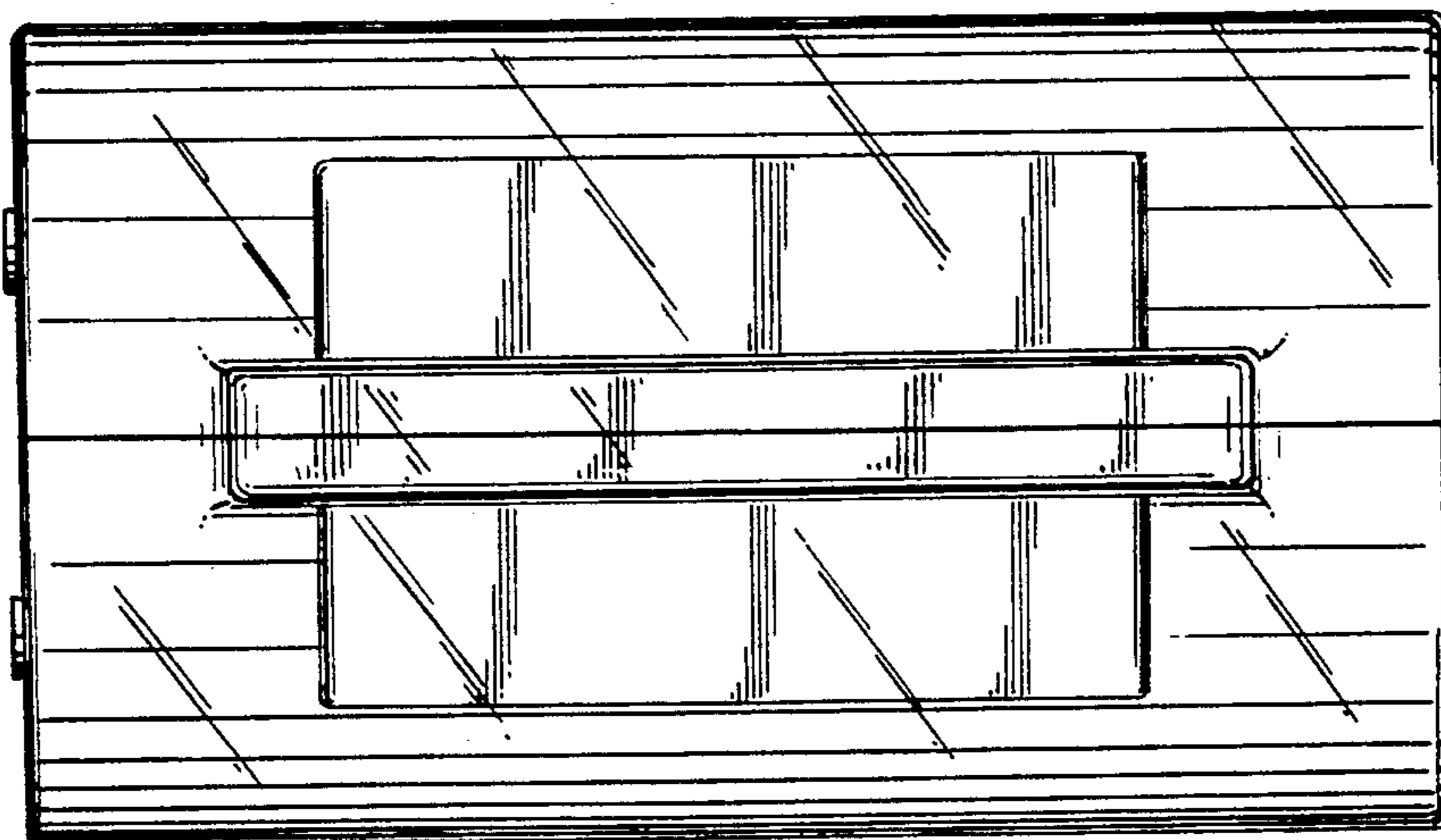


FIG. 3

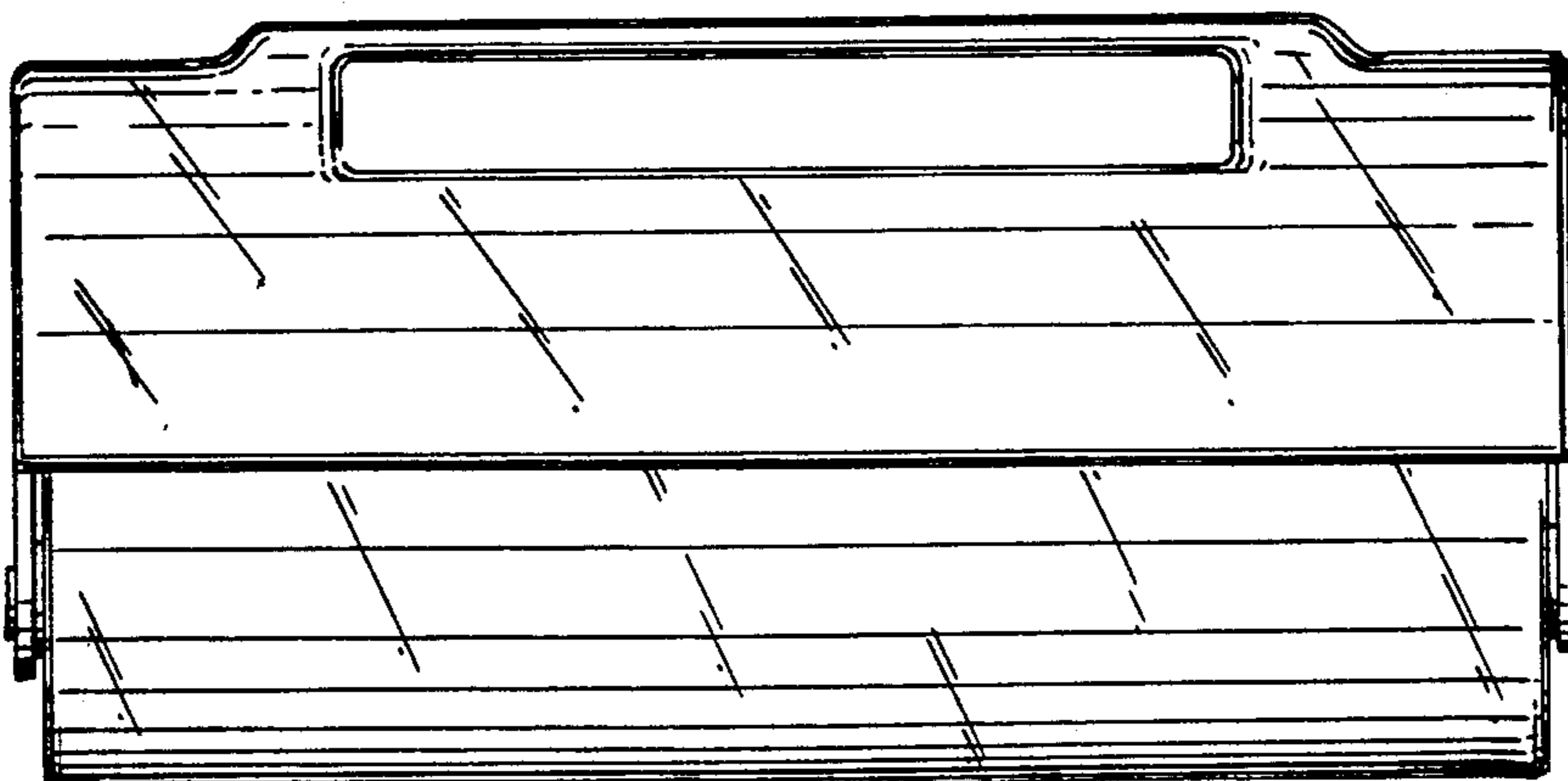


FIG. 4

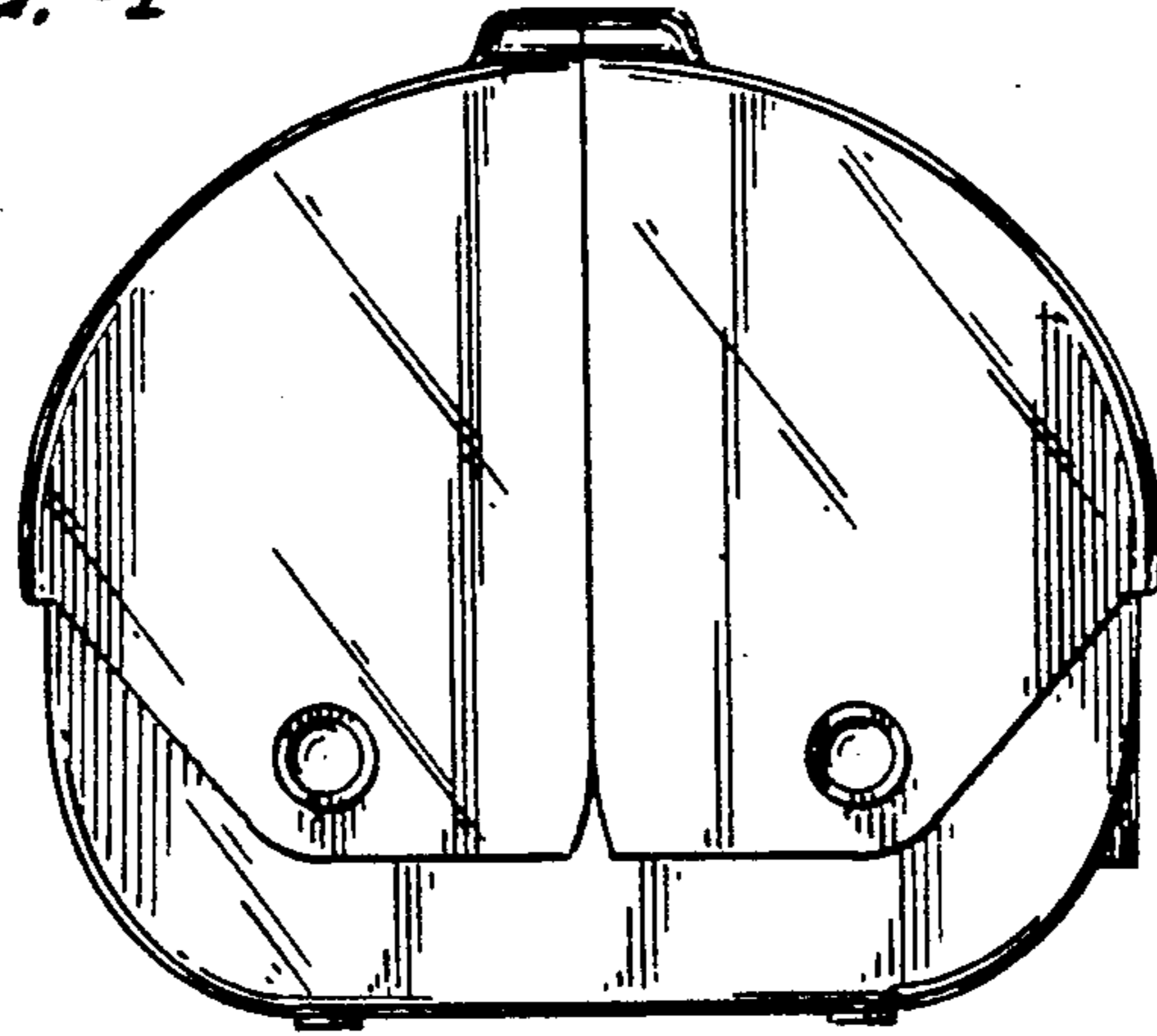


FIG. 5

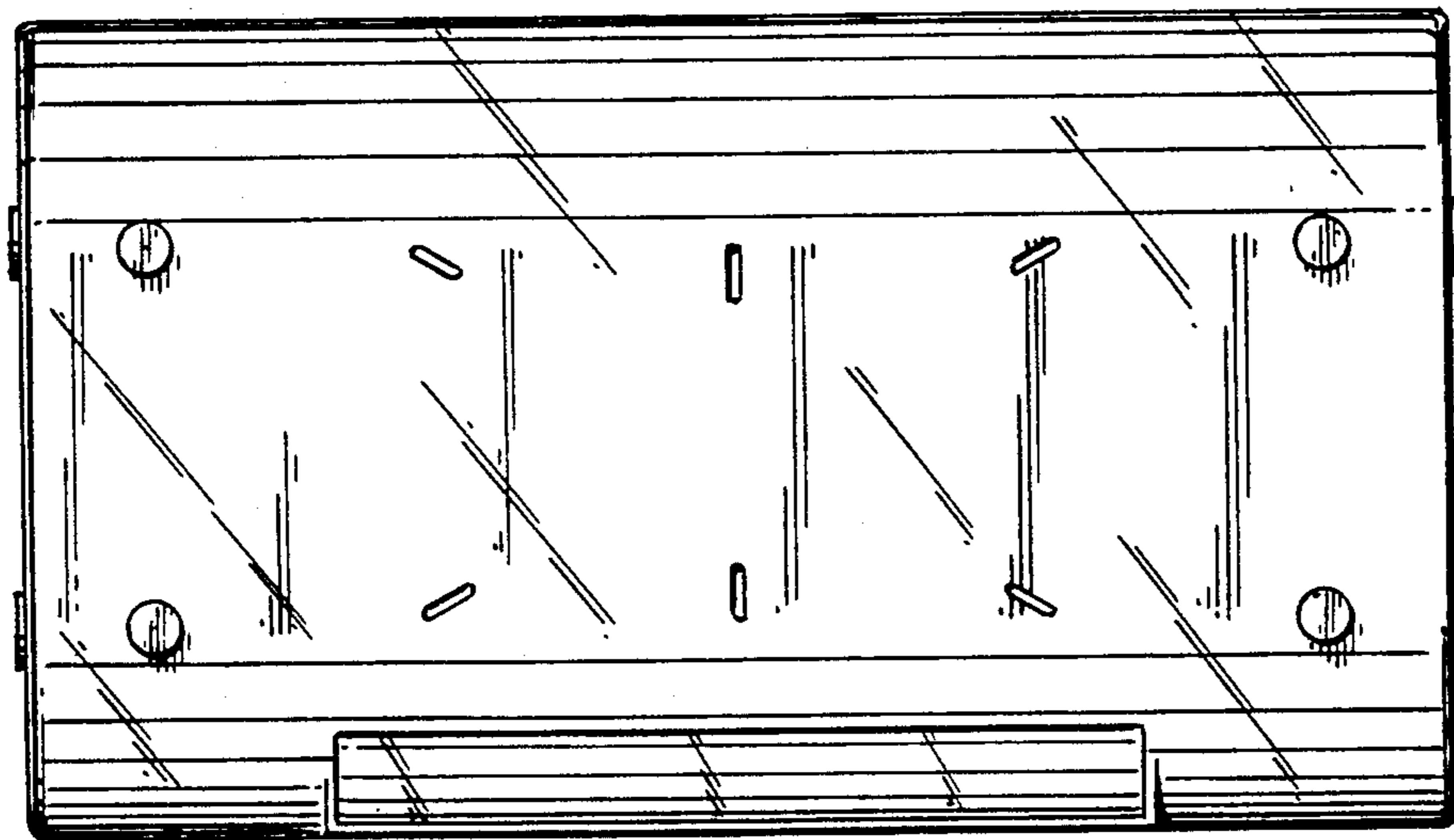
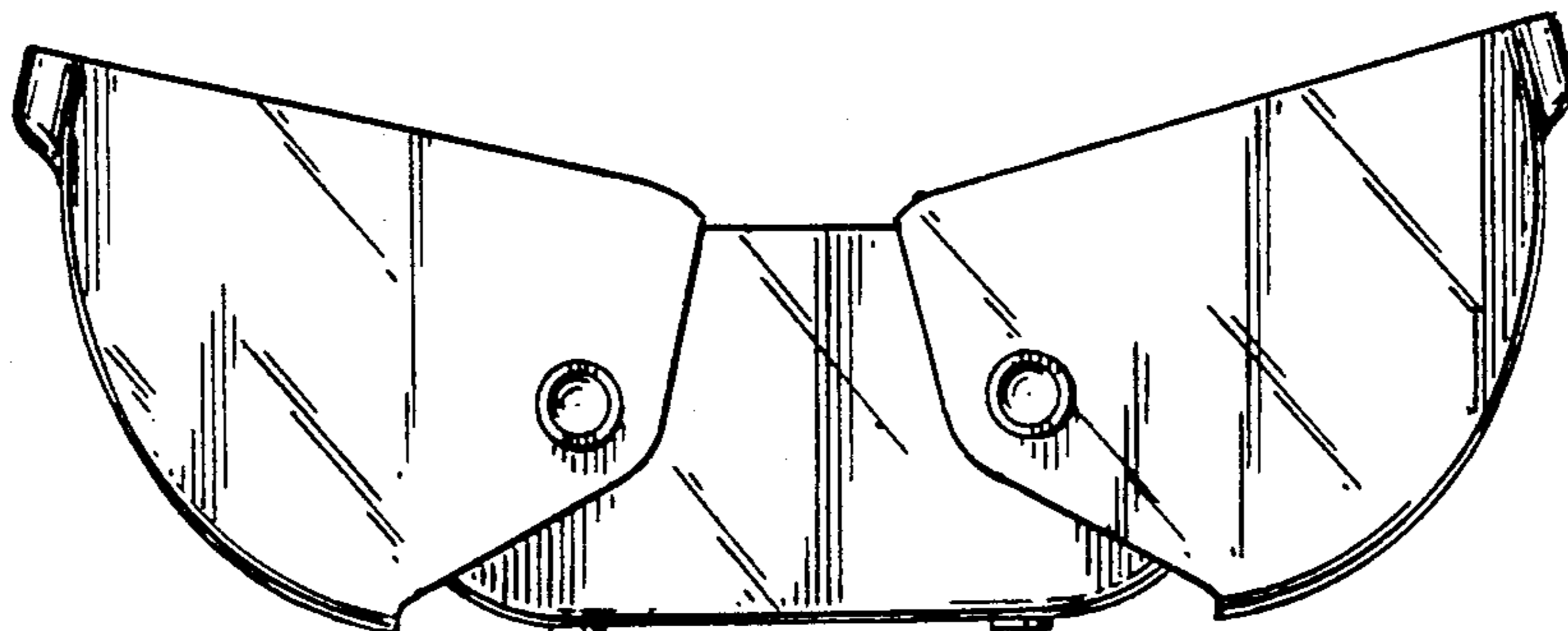


FIG. 6



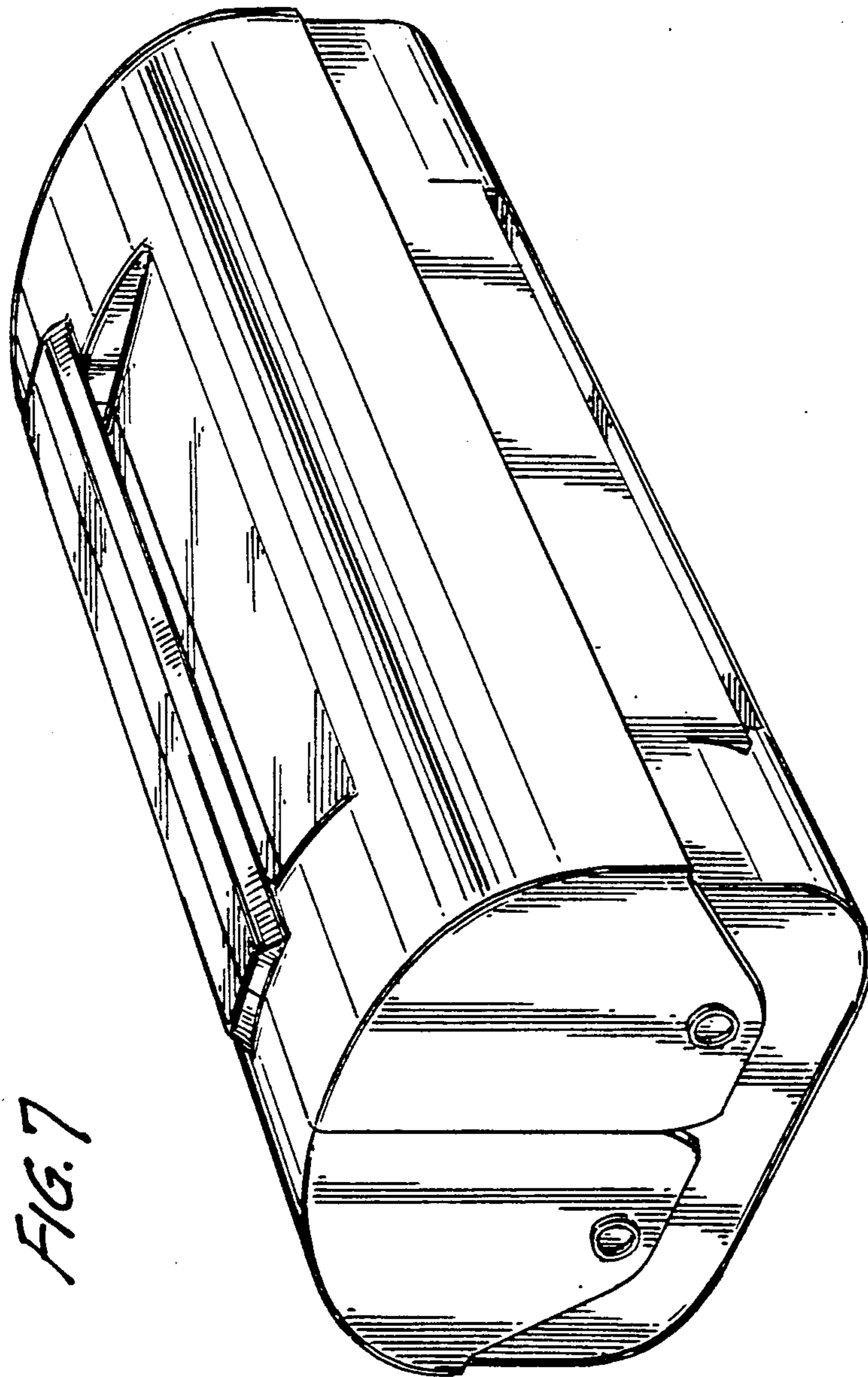


FIG. 7