



US00D323039S

United States Patent [19]

Lerner

[11] Patent Number: **Des. 323,039**

[45] Date of Patent: **** Jan. 7, 1992**

[54] **PIK HAIR DRYER**

[75] Inventor: **Ronald L. Lerner, El Paso, Tex.**

[73] Assignee: **Helen of Troy Corporation, El Paso, Tex.**

[**] Term: **14 Years**

[21] Appl. No.: **464,750**

[22] Filed: **Jan. 12, 1990**

[52] U.S. Cl. **D28/13**

[58] Field of Search **D28/13-18;**
34/96-101; 132/212, 118, 272; 392/384, 385

[56] **References Cited**

U.S. PATENT DOCUMENTS

D. 252,952	9/1979	Wistrand	D28/13
D. 268,370	3/1983	McBrien	D28/13
D. 280,558	9/1985	Lazar et al.	D28/13
D. 286,209	10/1986	Camens	D28/13
D. 289,696	5/1987	Vrtaric	D28/15
4,308,670	1/1982	Bonnema	34/97
4,538,362	9/1985	Andis	34/97
4,659,907	4/1987	Andis et al.	392/385 X

4,668,855 5/1987 Wilson et al. 392/385

OTHER PUBLICATIONS

Housewares, Jan. 7-13/1986, p. 19, center left block:
Hair Dryer on lower left.

Modern Salon, 3/1988, p. 8: Hair Dryer Attachment,
far left.

Primary Examiner—Bernard Ansher

Assistant Examiner—C. Tuttle

Attorney, Agent, or Firm—Watson, Cole, Grindle &
Watson

[57] **CLAIM**

An ornamental design for a pik hair dryer, as shown.

DESCRIPTION

FIG. 1 is a right side elevational view of a pik hair dryer showing my new design;

FIG. 2 is a rear elevational view thereof;

FIG. 3 is a front elevational view thereof;

FIG. 4 is a left side elevational view thereof;

FIG. 5 is a top plan view thereof; and

FIG. 6 is a bottom plan view thereof.

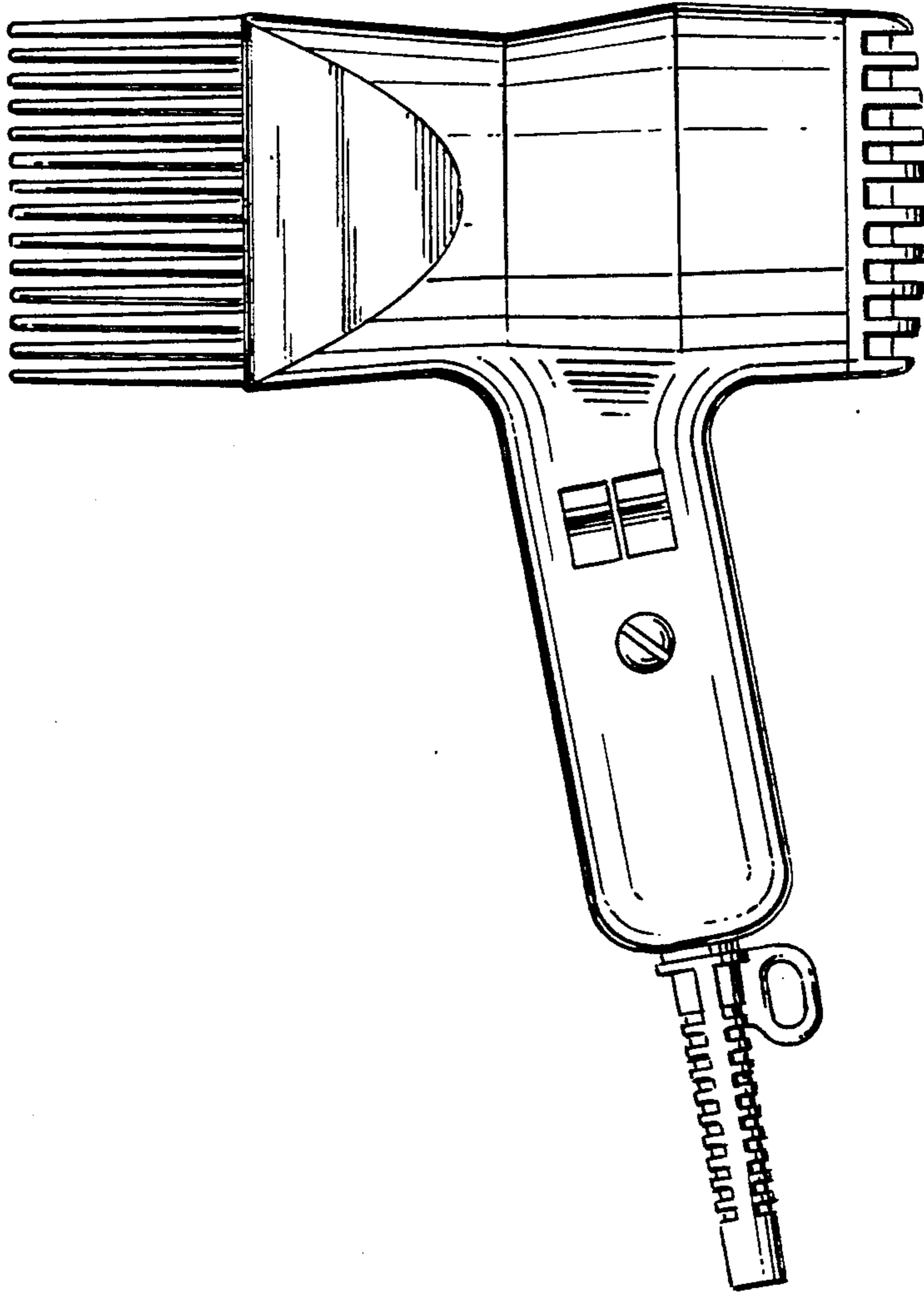


FIG. 2

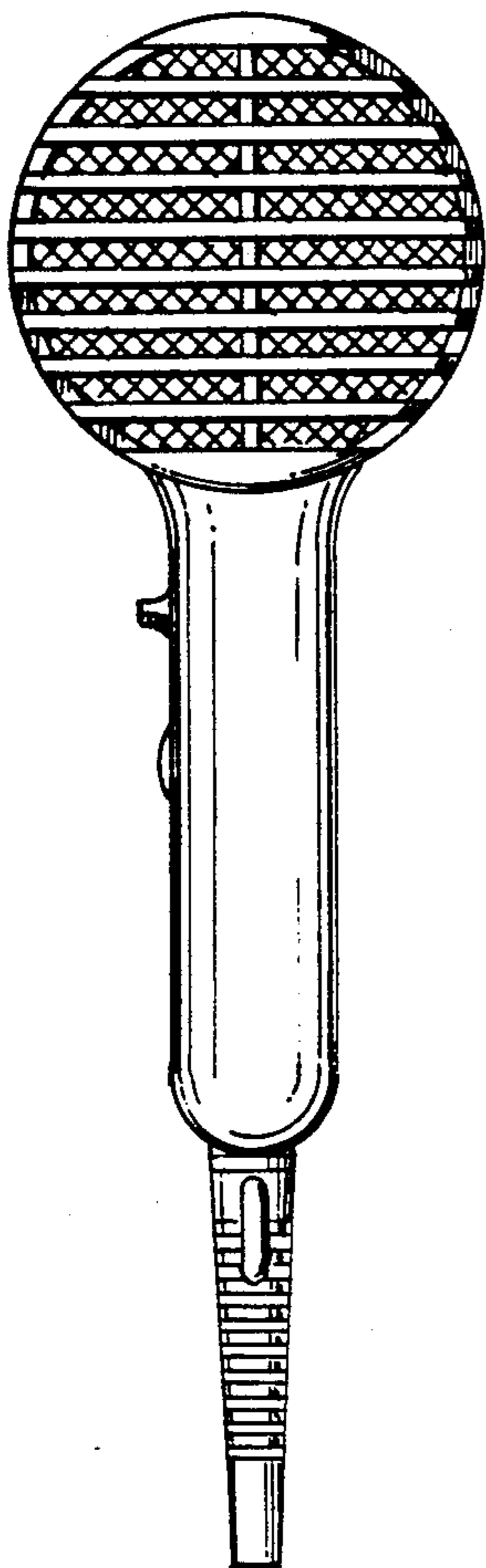


FIG. 1

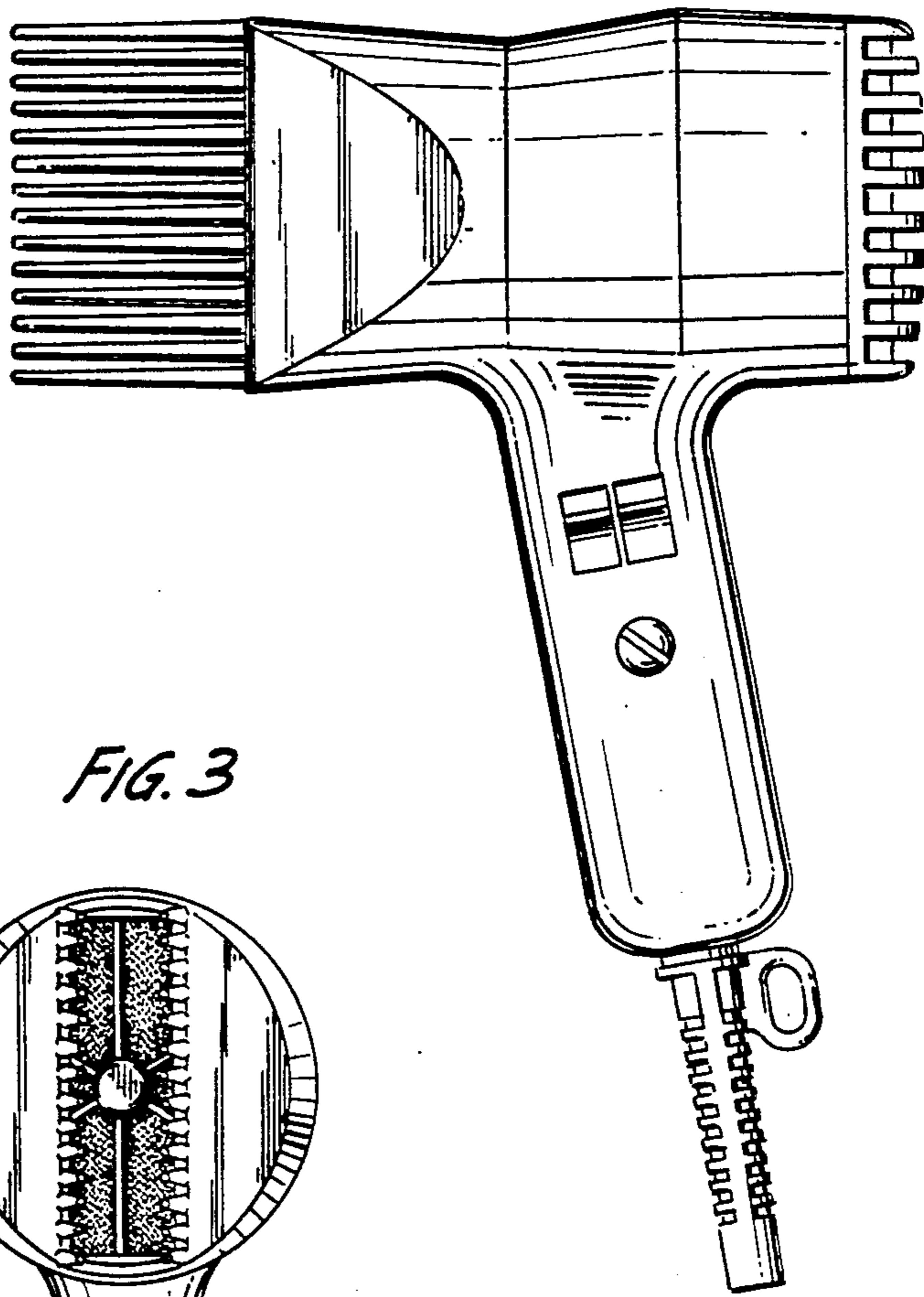


FIG. 3

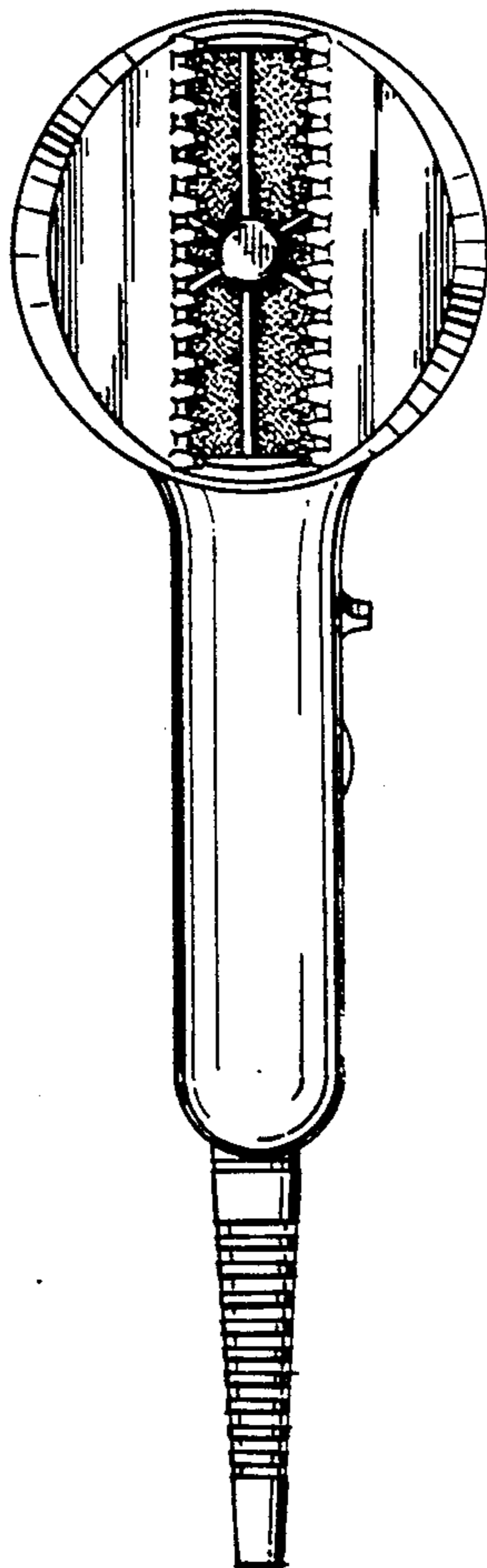


FIG. 4

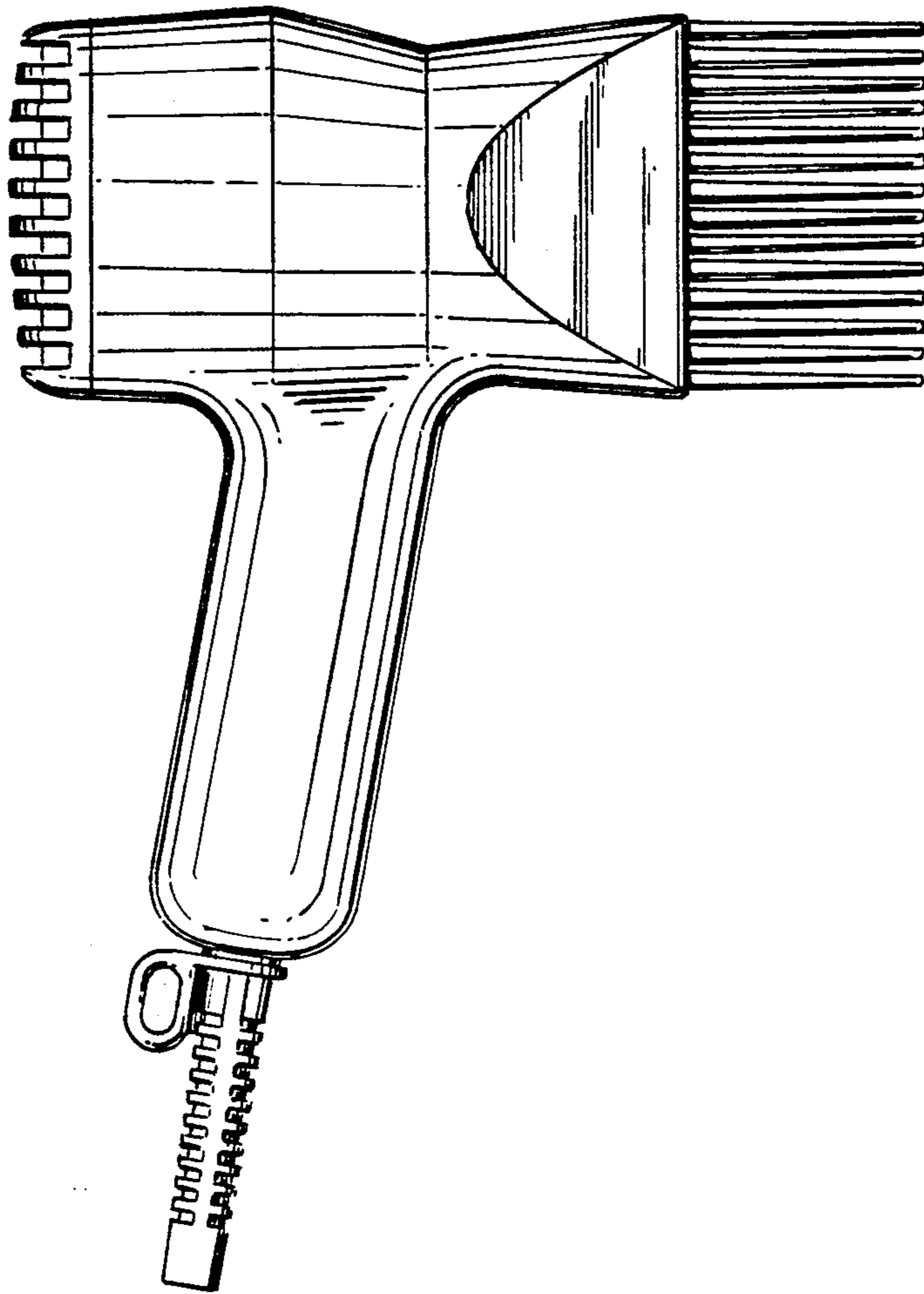


FIG. 5

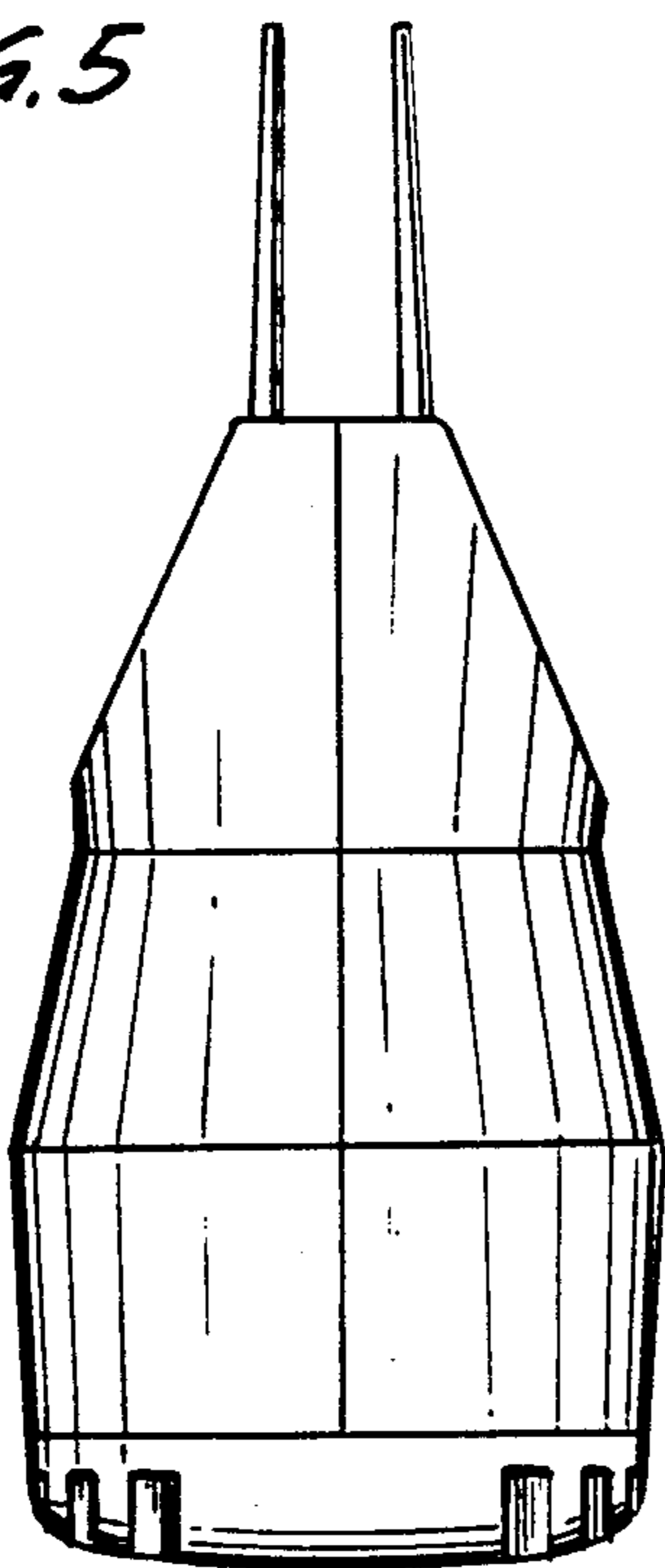


FIG. 6

