



US00D323037S

# United States Patent [19]

Edwards

[11] Patent Number: **Des. 323,037**

[45] Date of Patent: **\*\* Jan. 7, 1992**

[54] **REFLECTOR FOR A RECESSED CEILING LIGHTING FIXTURE**

[75] Inventor: **Franklin M. Edwards, Birmingham, Mich.**

[73] Assignee: **Nylube Products Company, Rochester Hills, Mich.**

[\*\*] Term: **14 Years**

[21] Appl. No.: **488,774**

[22] Filed: **Mar. 5, 1990**

[52] U.S. Cl. .... **D26/118; D26/128**

[58] Field of Search ..... **D26/72, 74, 82-92, D26/118, 128-137; 362/147, 404-408, 362, 364, 365, 341, 343, 344-348, 350, 351**

[56] **References Cited**

**U.S. PATENT DOCUMENTS**

41,547	2/1864	Stratton	.....	D26/128	X
863,178	8/1907	Holt et al.	.....	D26/118	X
3,518,420	6/1970	Kripp	.....	362/365	X

4,551,791 11/1985 Salansky ..... 362/365 X

**FOREIGN PATENT DOCUMENTS**

0144090 11/1979 Japan ..... 362/345

633155 12/1949 United Kingdom ..... 362/351

**OTHER PUBLICATIONS**

Electrical Consultant, 11-1972, inside front cover, Kir-lin Recessed Light Fixture.

*Primary Examiner*—Susan J. Lucas

[57] **CLAIM**

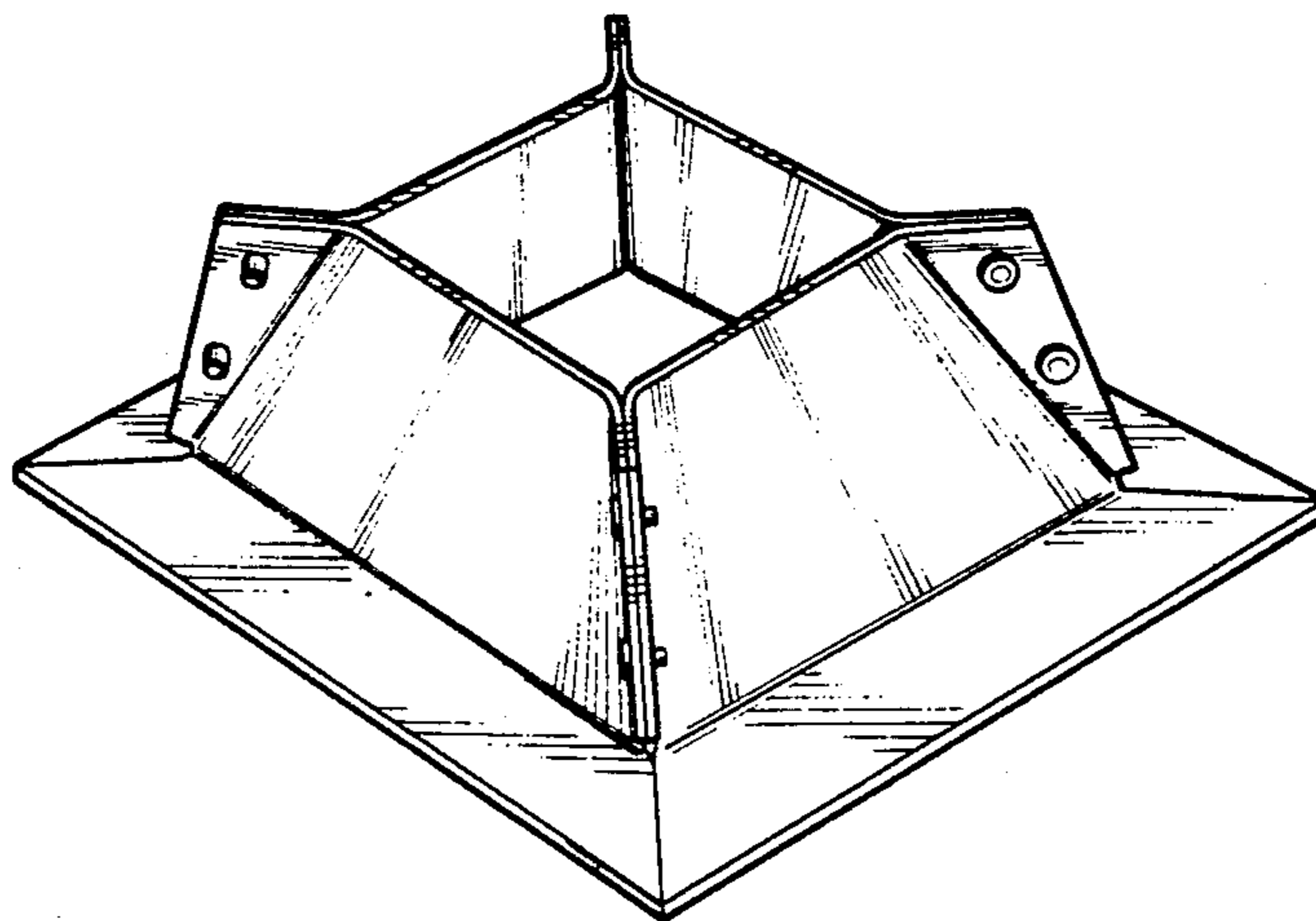
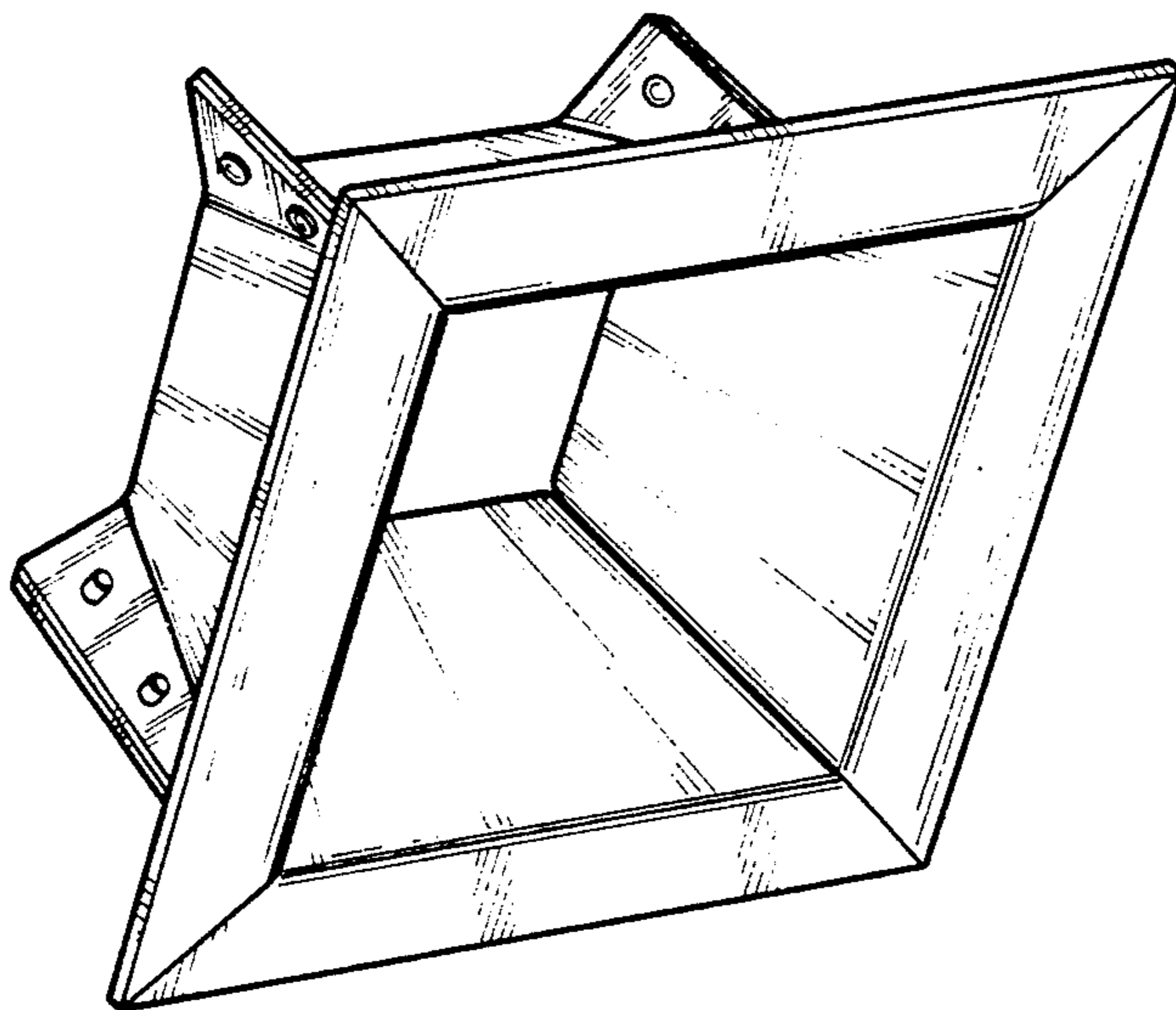
The ornamental design for a reflector for a recessed ceiling lighting fixture, as shown and described.

**DESCRIPTION**

FIG. 1 is a bottom plan view of a reflector for a recessed ceiling lighting fixture showing my new design; FIG. 2 is a side elevational view thereof, all sides being identical;

FIG. 3 is a bottom perspective view thereof;

FIG. 4 is a top, side, and end perspective view thereof.



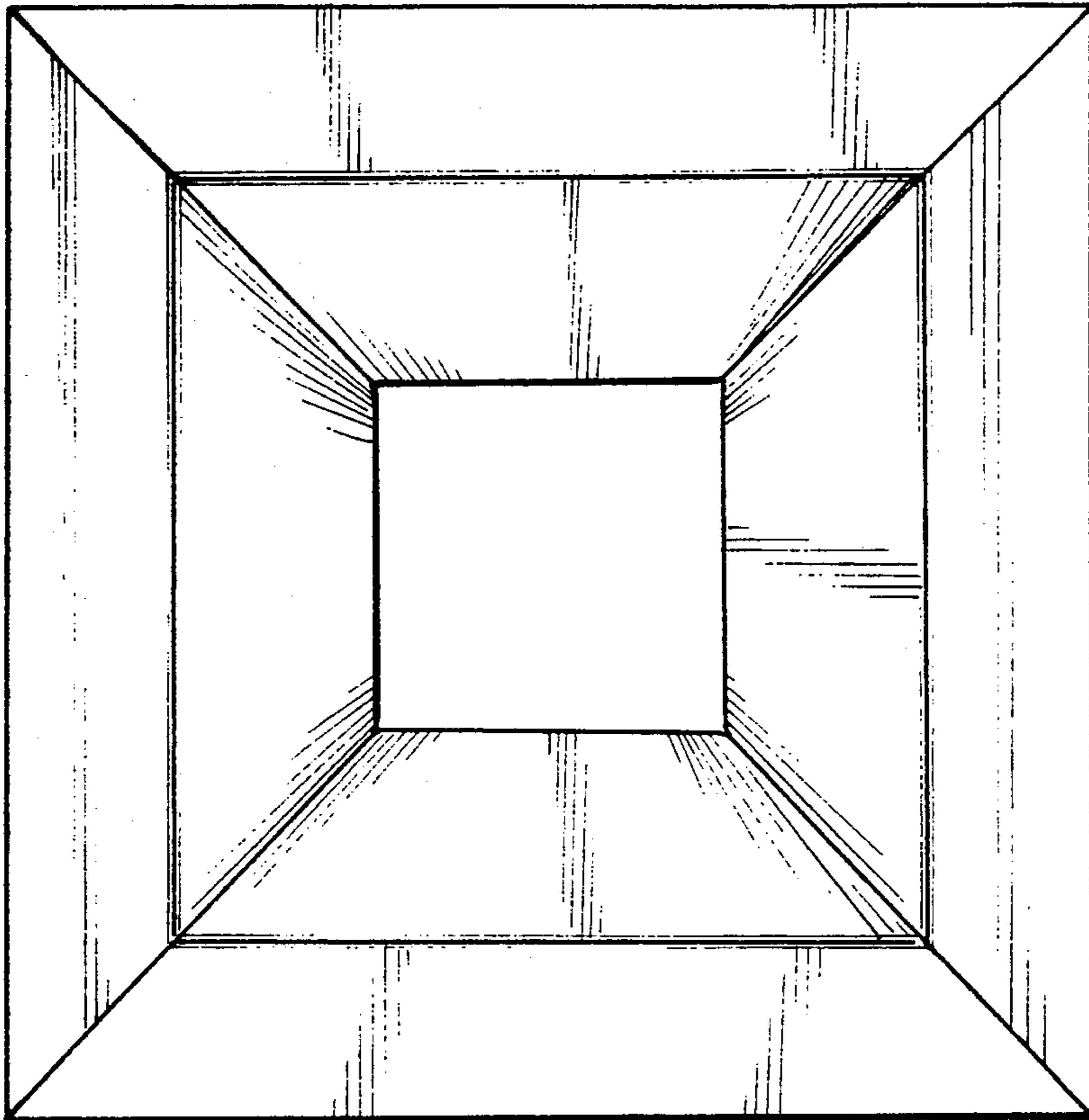
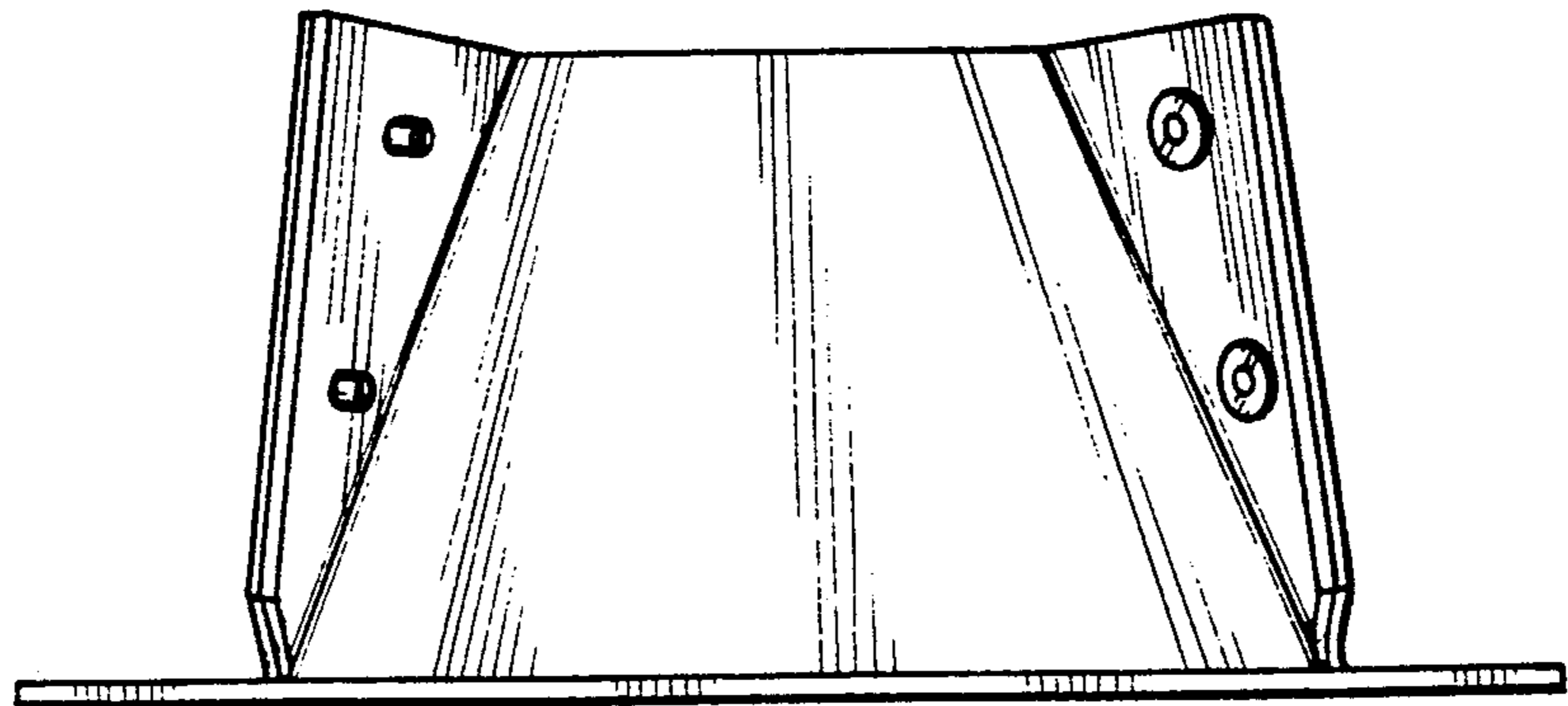


Fig-1

Fig-2



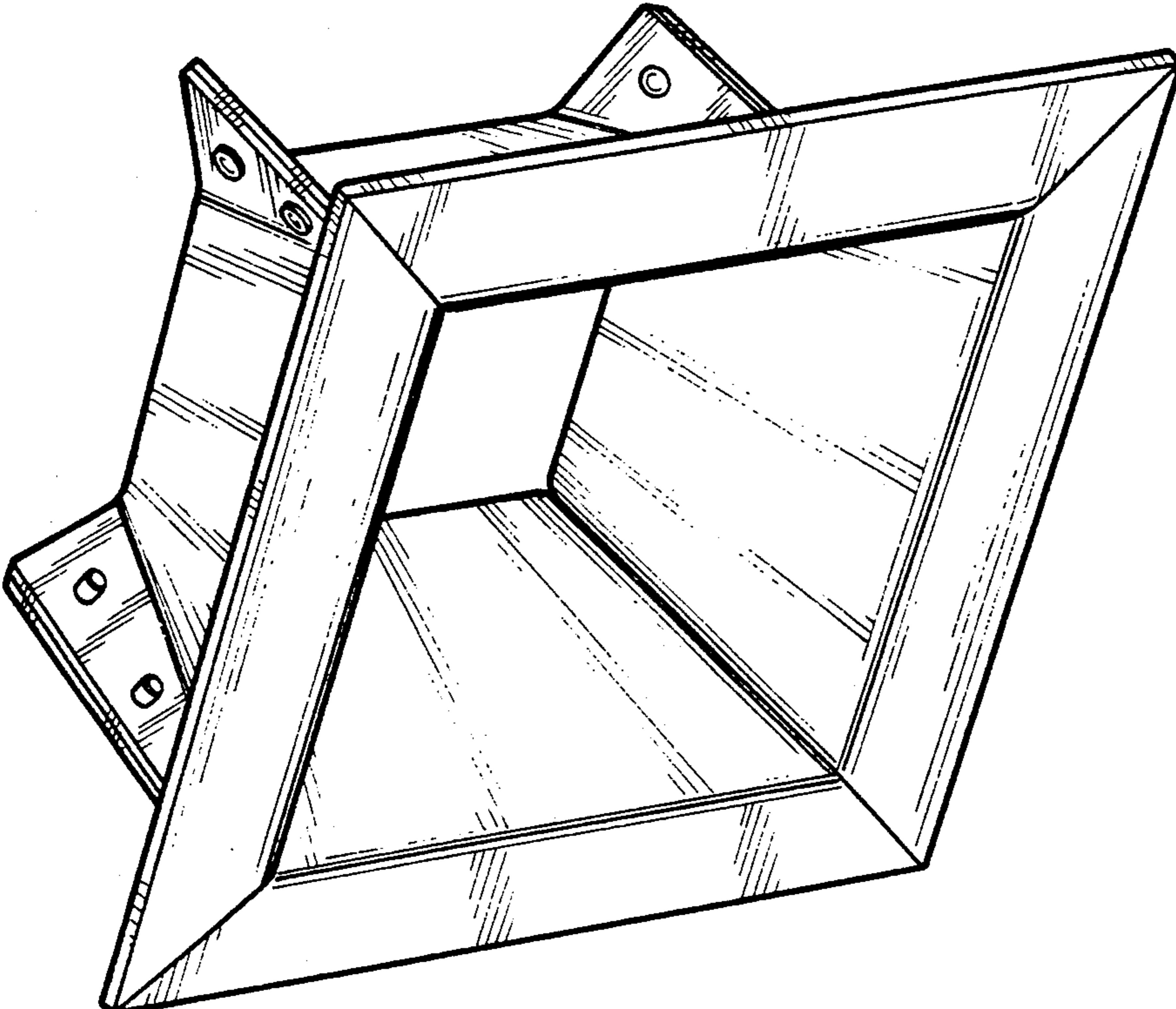


Fig-3

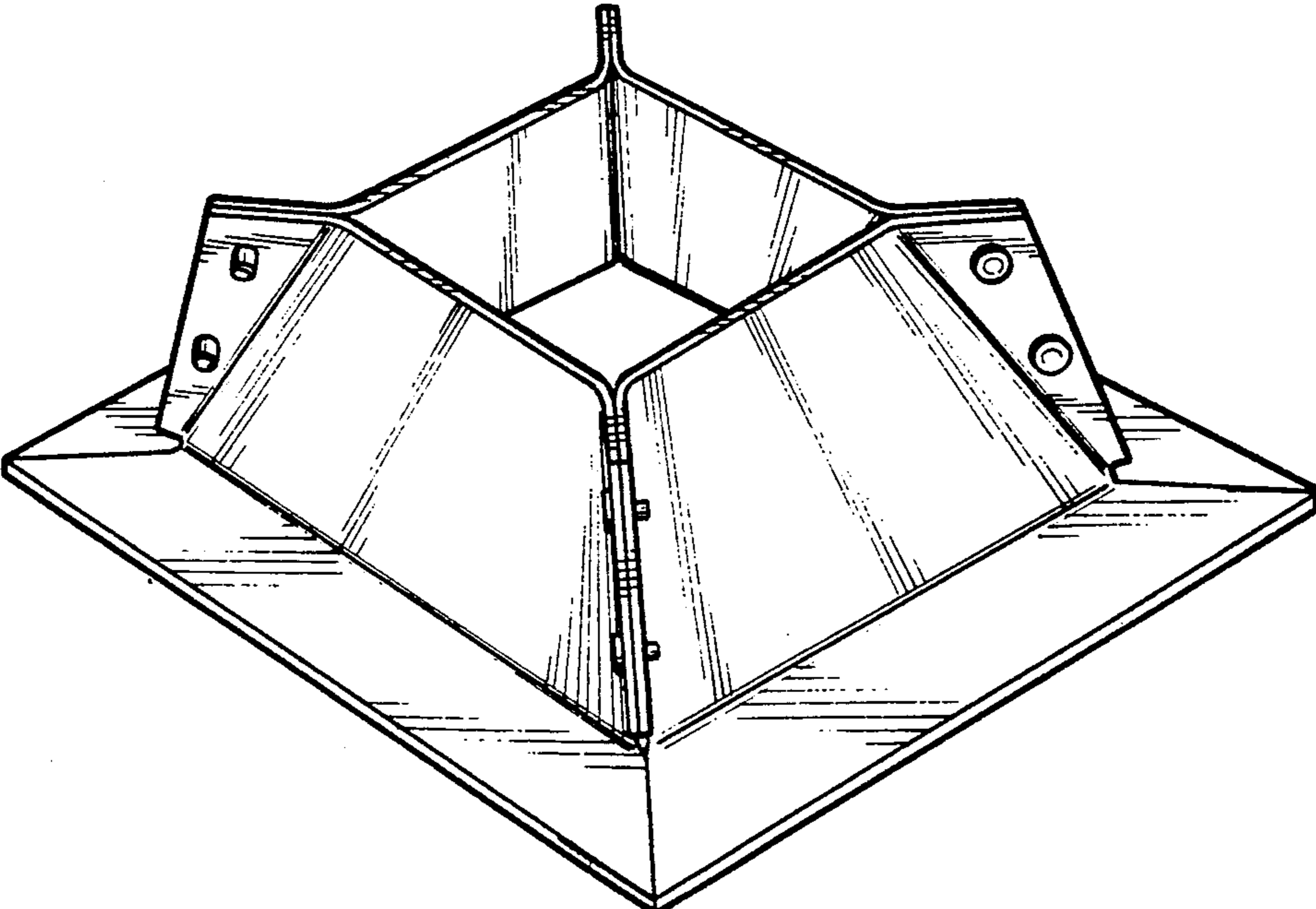


Fig-4