



US00D323033S

United States Patent [19]

[11] Patent Number: **Des. 323,033**

Allen

[45] Date of Patent: **** Jan. 7, 1992**

[54] **DISPOSABLE STETHOSCOPE**

4,991,686 2/1991 Allen 181/131

[76] Inventor: **Derek R. Allen, 30994 Steeplechase Dr., San Juan Capistrano, Calif. 92675**

Primary Examiner—Wallace R. Burke
Assistant Examiner—M. Jackson
Attorney, Agent, or Firm—George F. Bethel; Patience K. Bethel

[**] Term: **14 Years**

[21] Appl. No.: **283,517**

[57] **CLAIM**

[22] Filed: **Dec. 12, 1988**

The ornamental design for a disposable stethoscope, shown and described.

[52] U.S. Cl. **D24/134**

[58] Field of Search **D24/20; 381/67; 181/130, 131, 135**

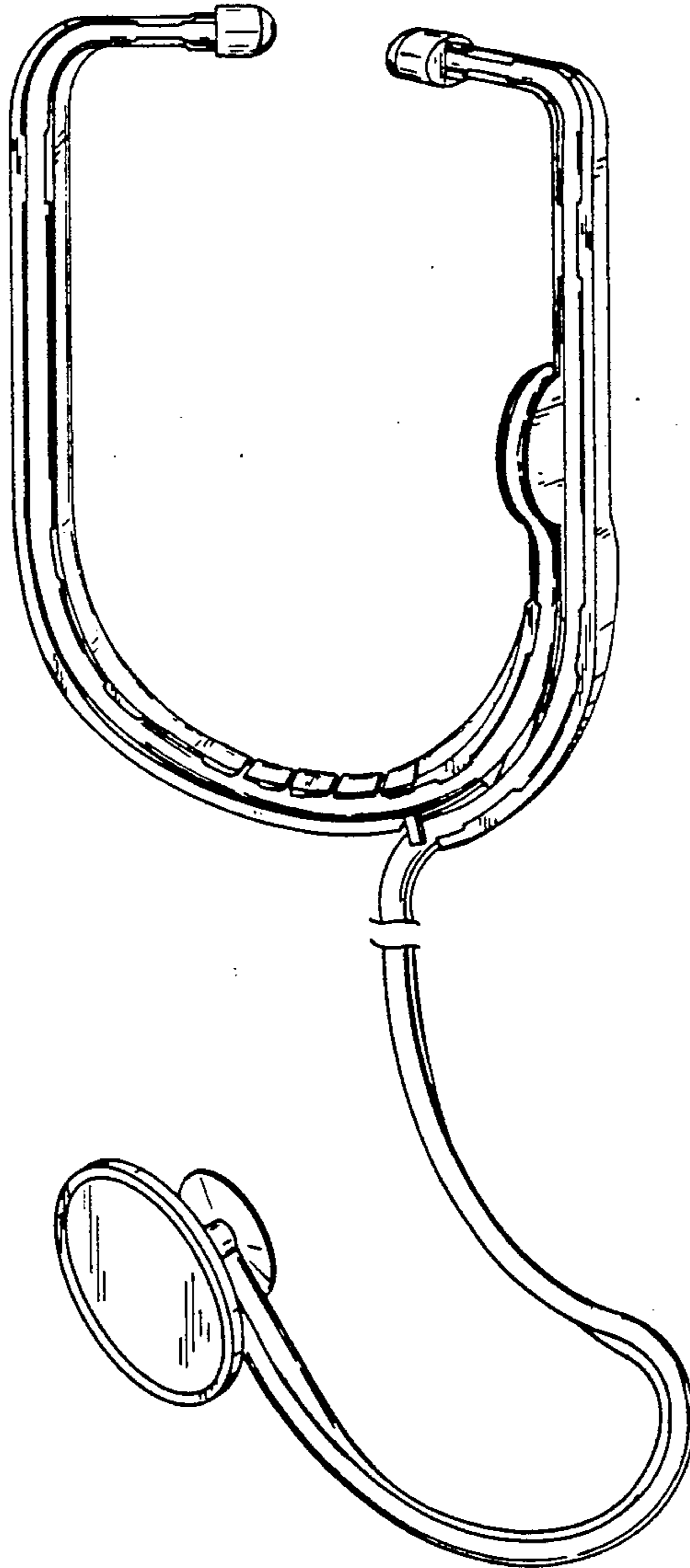
DESCRIPTION

[56] **References Cited**

U.S. PATENT DOCUMENTS

3,470,975	10/1969	Haiken	181/131
3,472,336	10/1969	Dahl	181/131
4,064,965	12/1977	Brown	181/135
4,254,302	3/1981	Walshe	D24/20
4,633,971	1/1987	Robbins	181/135

FIG. 1 is a rear elevational view of a disposable stethoscope showing my new design;
FIG. 2 is a front elevational view thereof;
FIG. 3 is a left side elevational view thereof;
FIG. 4 is a right side elevational view thereof;
FIG. 5 is a top plan view thereof;
FIG. 6 is a bottom plan view thereof;
FIG. 7 is a perspective view thereof; with the hose broken away for ease of illustration.



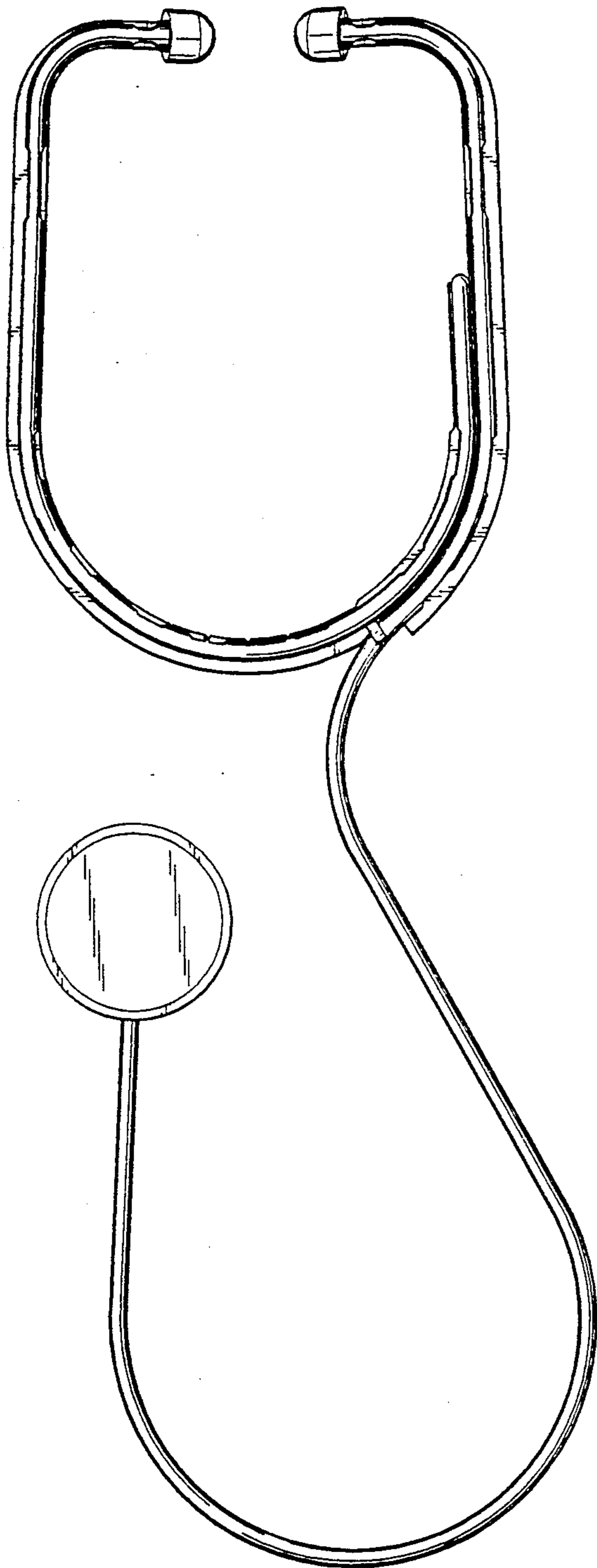


FIG. 1

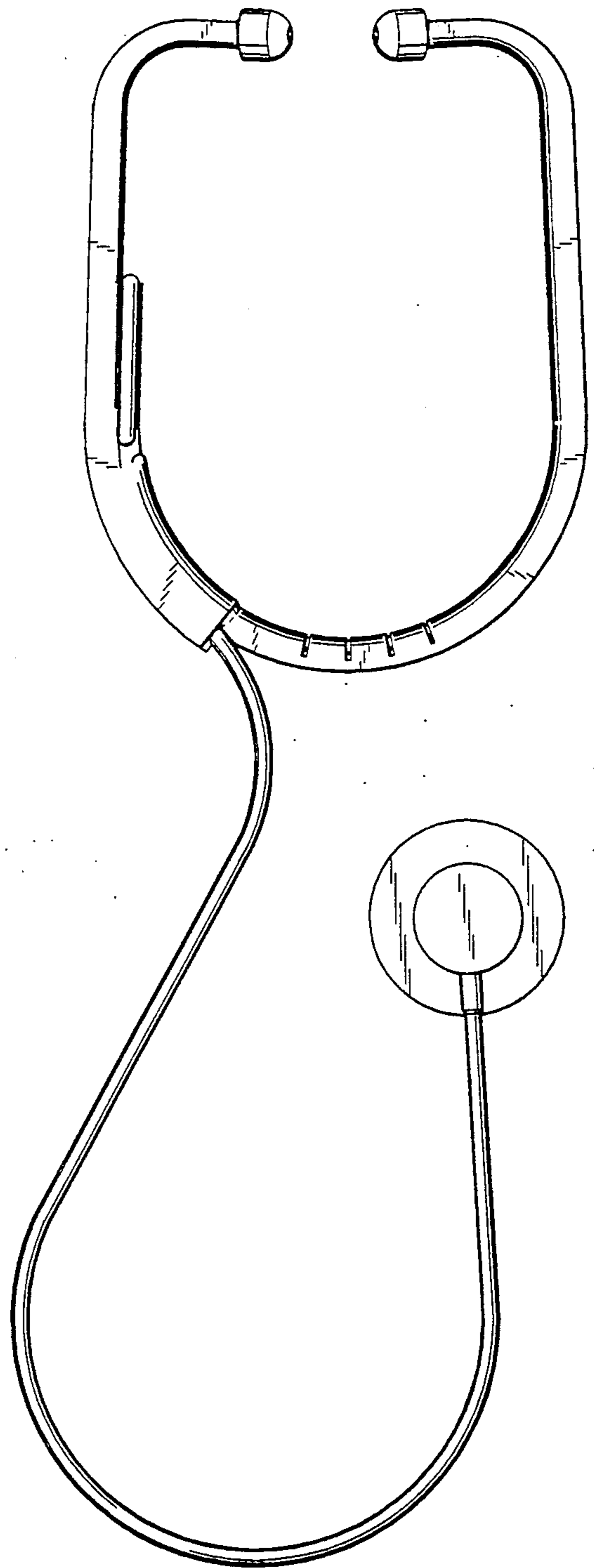


FIG. 2

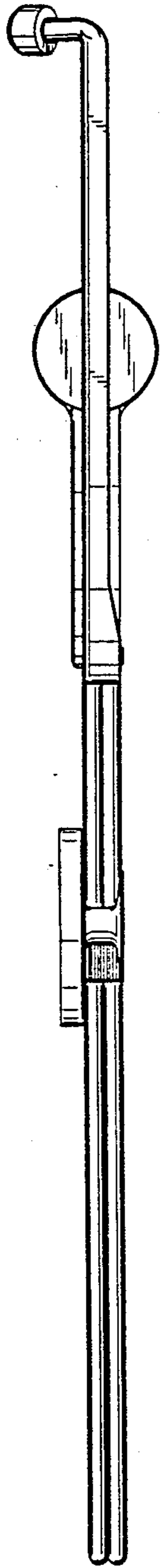


FIG. 3

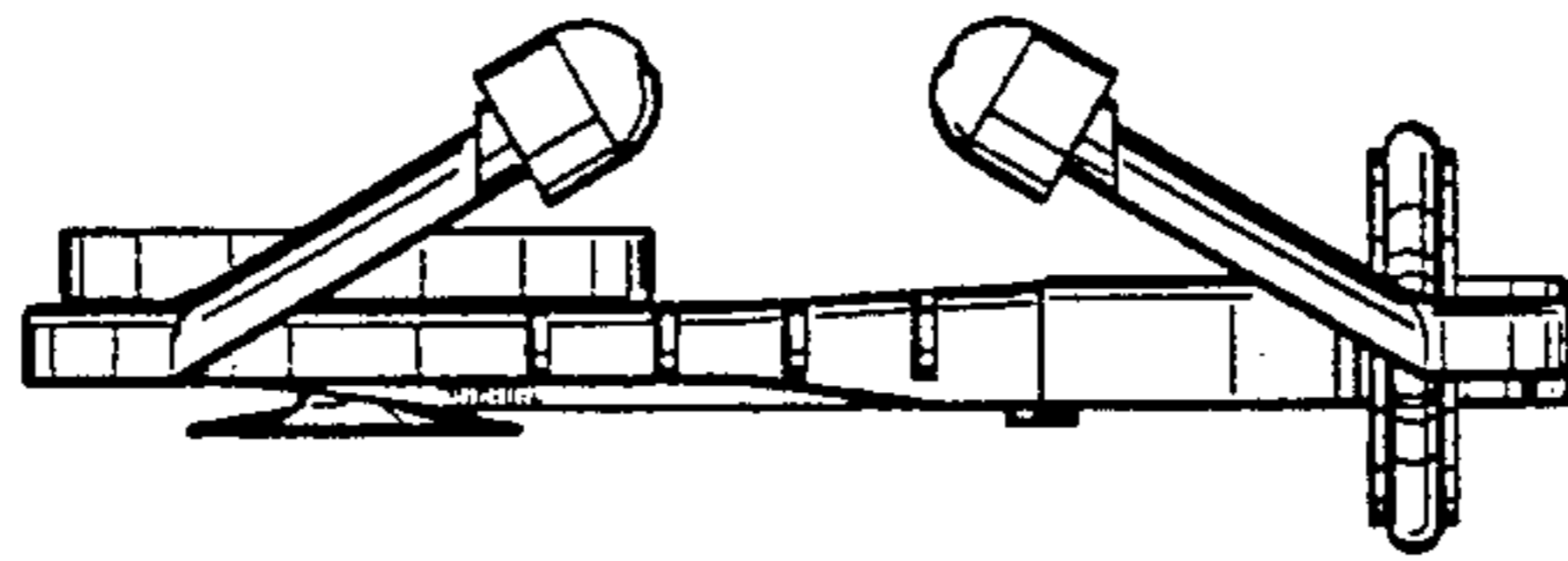


FIG. 5

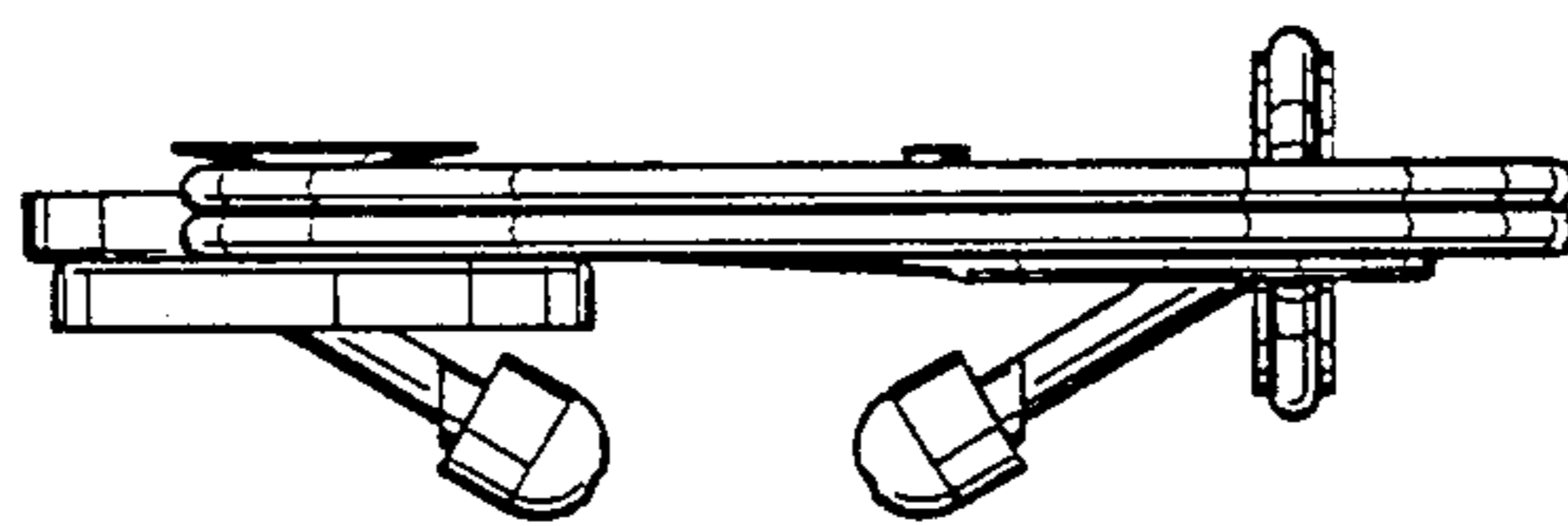


FIG. 6

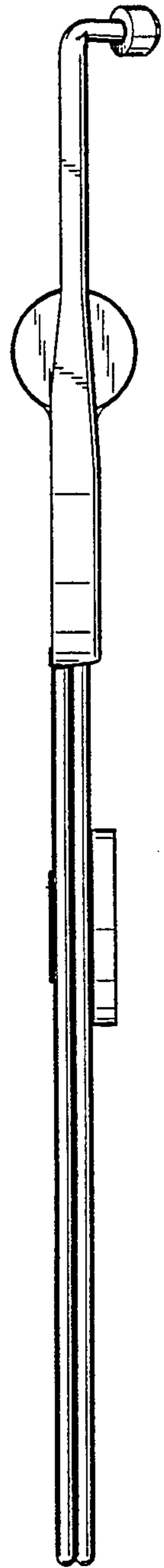


FIG. 4

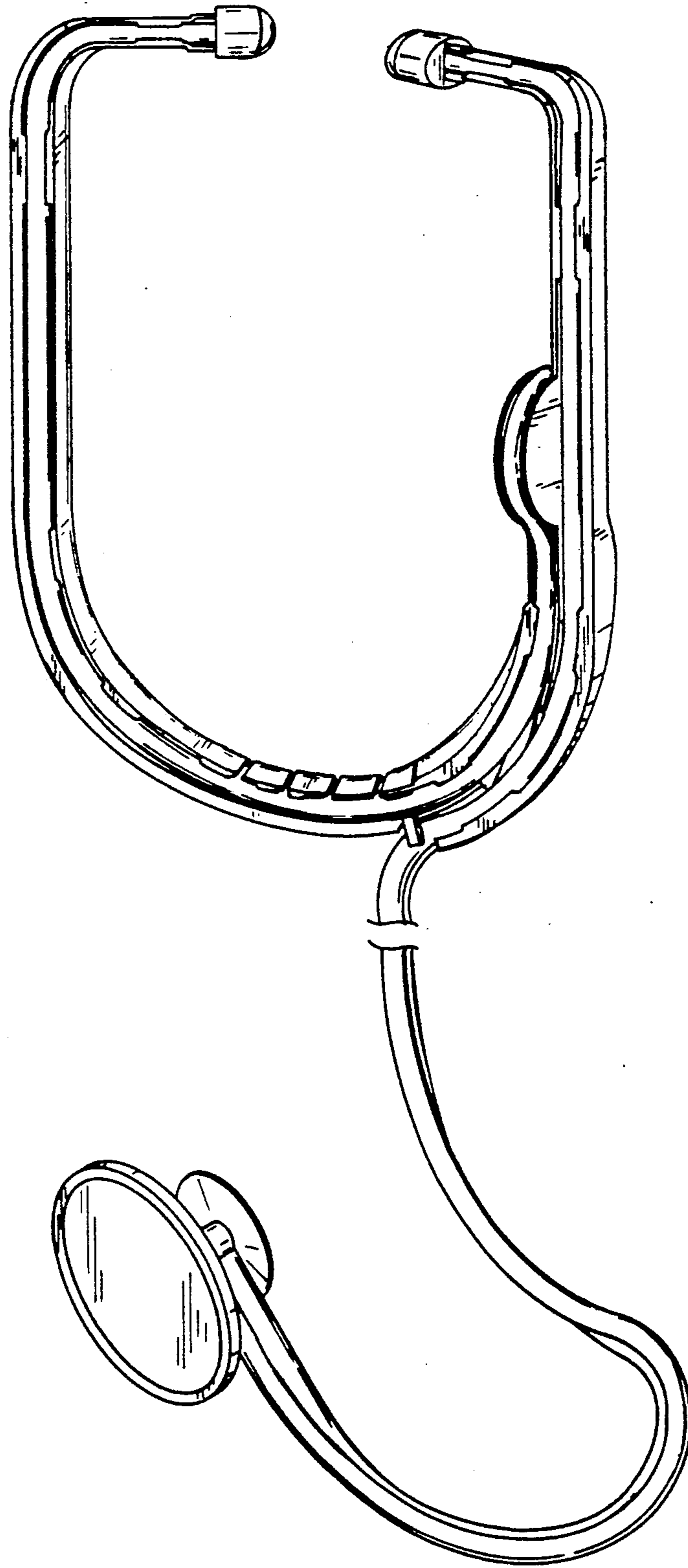


FIG. 7