



US00D323028S

United States Patent [19]
Holbrook

[11] **Patent Number: Des. 323,028**

[45] **Date of Patent: ** Jan. 7, 1992**

[54] **CEILING FAN**

2181183 4/1987 United Kingdom 416/5

[75] **Inventor: Richard M. Holbrook, Hermosa Beach, Calif.**

OTHER PUBLICATIONS

[73] **Assignee: Casablanca Industries, Inc., City of Industry, Calif.**

Metropolitan Home (Sep. 1989), p. 32, exhibit B, bottom of page.
Moss Manufacturing, Inc., Adv. brochure, p. 1, Tropical Breeze Ceiling Fan, top left side of page.

[**] **Term: 14 Years**

Primary Examiner—James M. Gandy
Assistant Examiner—Lisa Lichtenstein
Attorney, Agent, or Firm—Charles H. Schwartz;
Ellsworth R. Roston

[21] **Appl. No.: 548,760**

[22] **Filed: Jul. 6, 1990**

[52] **U.S. Cl. D23/377**

[58] **Field of Search D23/377-379,
D23/385, 411, 413; 416/5, 223 R; 392/364;
D26/72, 85, 88, 89; 362/96, 149, 405, 406, 408**

[57] **CLAIM**

The ornamental design for a ceiling fan, as shown and described.

[56] **References Cited**

DESCRIPTION

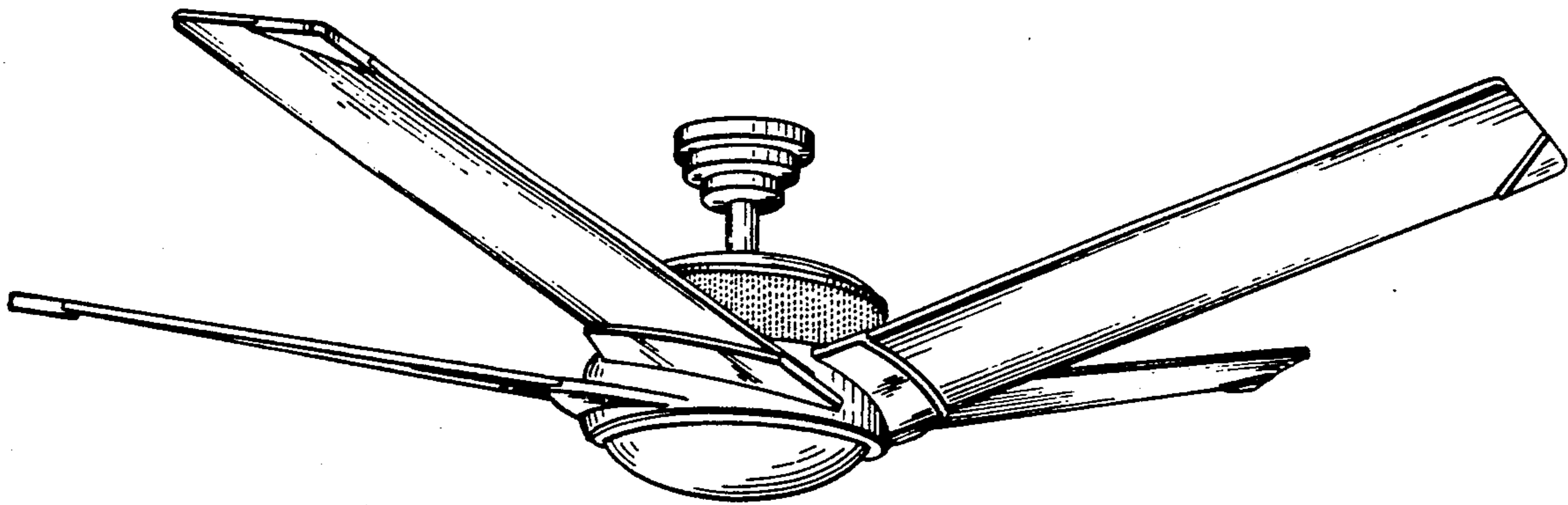
U.S. PATENT DOCUMENTS

4,073,598 2/1978 Mizutani et al. 416/5
4,596,585 6/1986 Moeller et al. 416/5

FIG. 1 is a perspective view of a ceiling fan showing my new design;
FIG. 2 is a bottom plan view thereof;
FIG. 3 is a side elevational view thereof, the other side being a mirror image of that shown;
FIG. 4 is a top plan view thereof.

FOREIGN PATENT DOCUMENTS

106998 4/1989 Japan 416/223 R



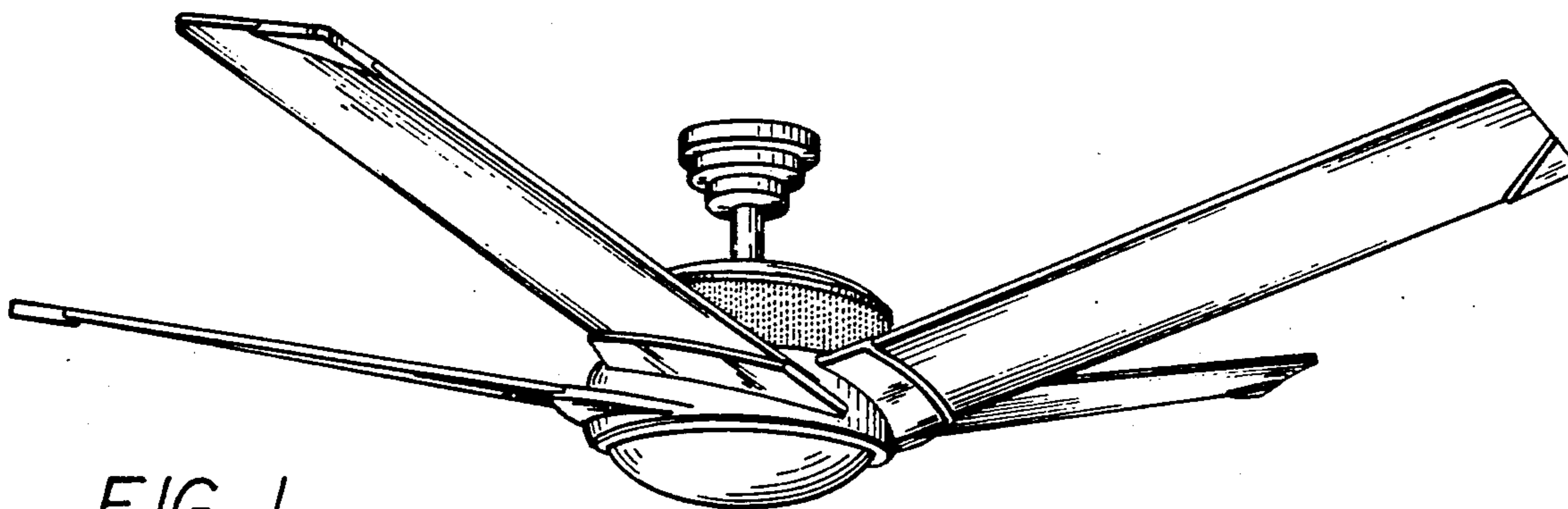


FIG. 1

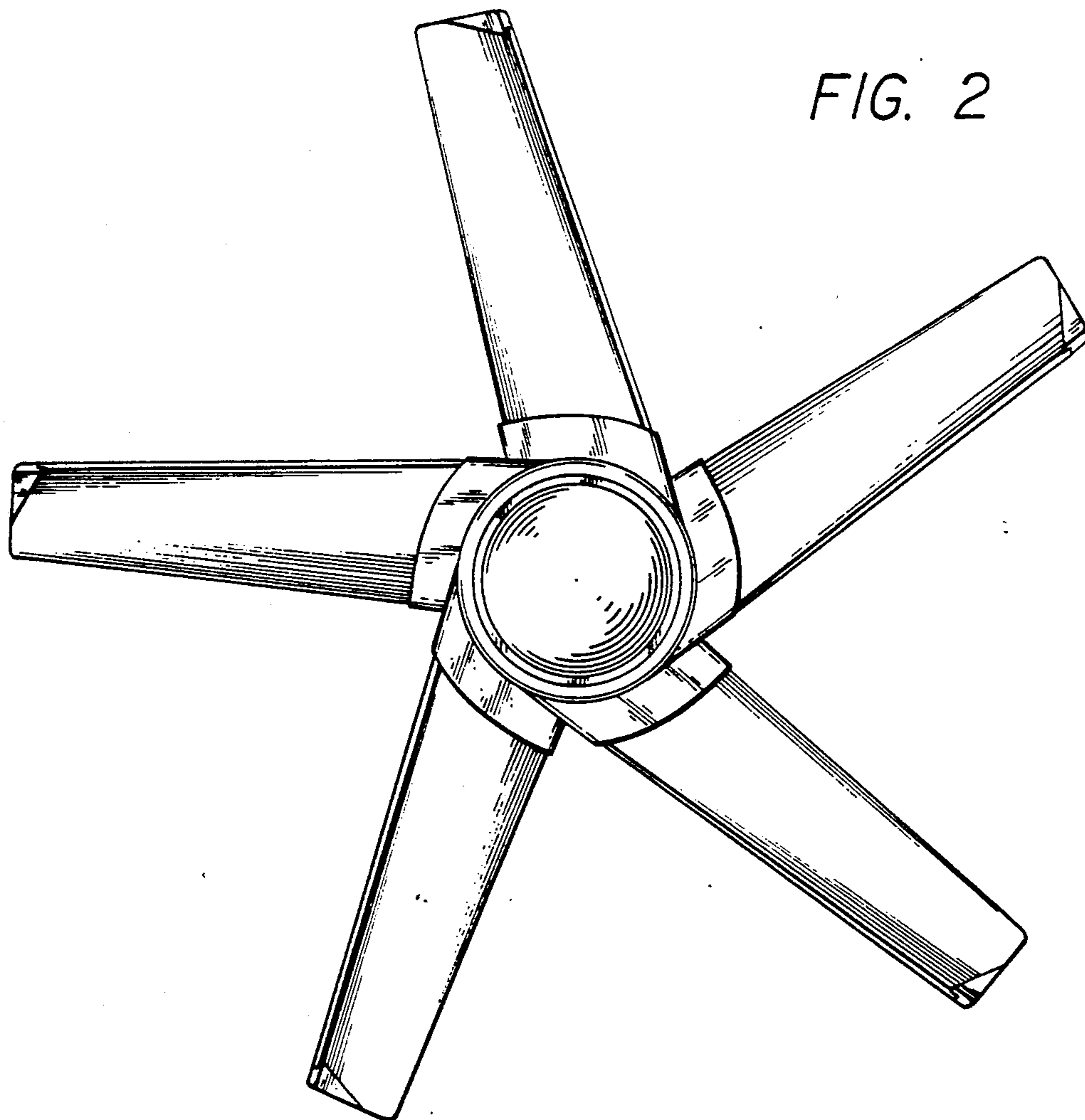


FIG. 2

FIG. 3

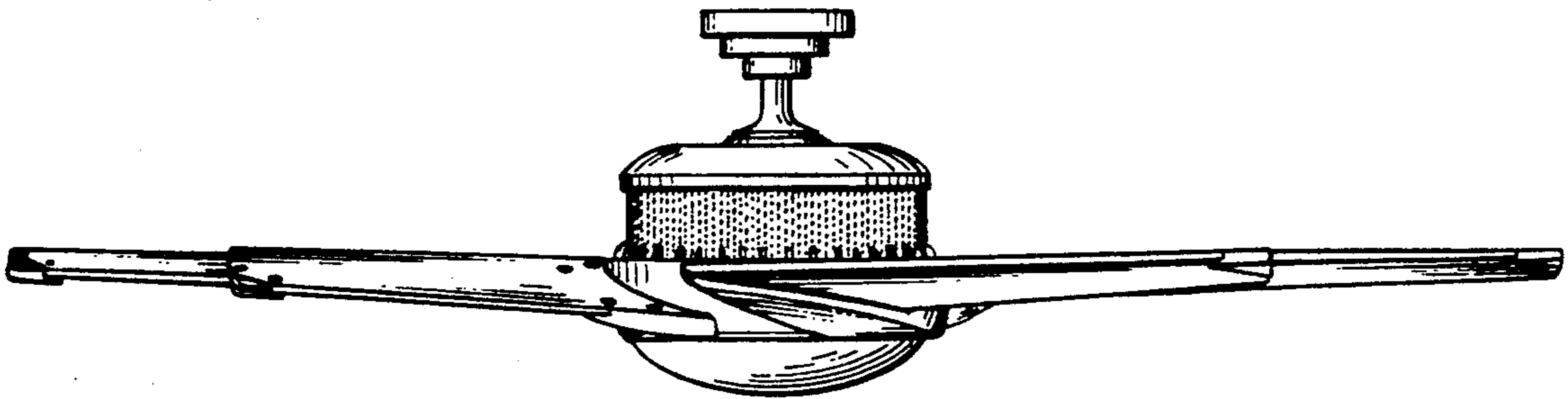


FIG. 4

