



US00D323025S

# United States Patent [19]

[11] Patent Number: **Des. 323,025**

**Jacuzzi**

[45] Date of Patent: **\*\* Jan. 7, 1992**

## [54] WHIRLPOOL BATHTUB

[75] Inventor: **Remo C. Jacuzzi**, Little Rock, Ark.

[73] Assignee: **Jason International, Inc.**, Little Rock, Ark.

[\*\*] Term: **14 Years**

[21] Appl. No.: **229,549**

[22] Filed: **Aug. 8, 1988**

[52] U.S. Cl. .... **D23/281**

[58] Field of Search ..... **D23/270-275, D23/276-283, 303, 304; D24/38; 4/538, 539, 541-544, 546, 548, 549, 559, 571-579, 582-584, 589-594; 128/66, 369**

## [56] References Cited

### U.S. PATENT DOCUMENTS

D. 227,101	6/1973	Primault	.....	D23/281
D. 230,021	1/1974	Primault	.....	D23/277
D. 276,456	11/1984	Primault	.....	D23/281
D. 277,128	1/1985	Daniels	.....	D23/281
D. 300,360	3/1989	Jacuzzi	.....	D24/38
D. 300,454	3/1989	Stairs, Jr.	.....	D23/277
4,868,934	9/1989	Altman	.....	4/538 X

*Primary Examiner*—Susan J. Lucas

*Attorney, Agent, or Firm*—Fidelman & Wolfe

## [57] CLAIM

The ornamental design for a whirlpool bathtub, as shown and described.

## DESCRIPTION

FIG. 1 is a top, front perspective view of a whirlpool bathtub showing my new design;

FIG. 2 is an inverted top plan view thereof on an enlarged scale;

FIG. 3 is a rear elevational view thereof on an enlarged scale;

FIG. 4 is a side elevational view thereof on an enlarged scale, the opposite side being a mirror image;

FIG. 5 is a front elevational view thereof on an enlarged scale;

FIG. 6 is a bottom plan view thereof on an enlarged scale;

FIG. 7 is a cross-sectional view thereof as taken along line 7—7 of FIG. 1 on an enlarged scale;

FIG. 8 is a cross-sectional view thereof as taken along line 8—8 of FIG. 1 on an enlarged scale;

FIG. 9 is a cross-sectional view thereof as taken along line 9—9 of FIG. 2;

FIG. 10 is a cross-sectional view thereof as taken along line 10—10 of FIG. 2;

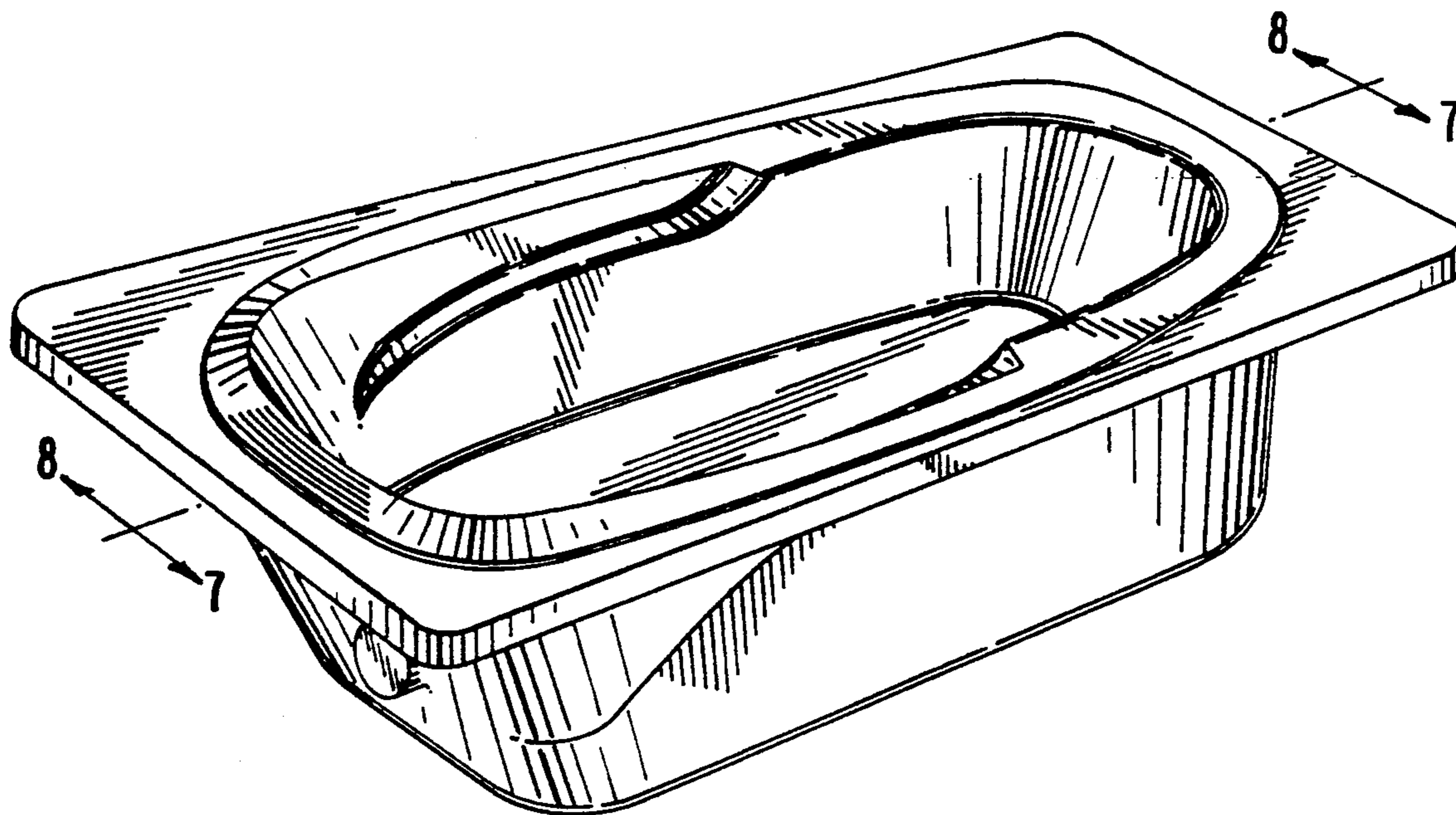
FIG. 11 is a top, front perspective view of a second embodiment of my new design;

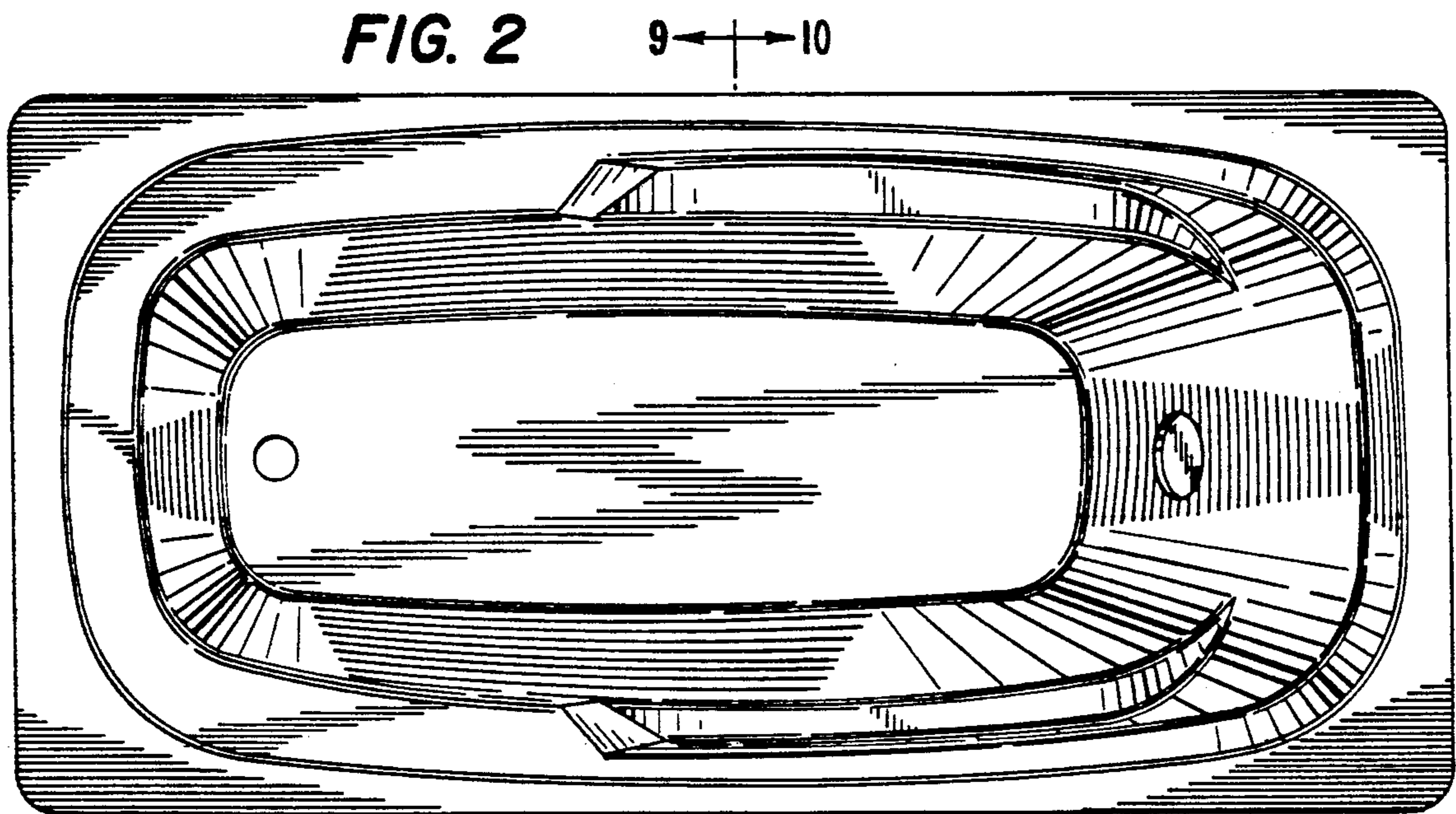
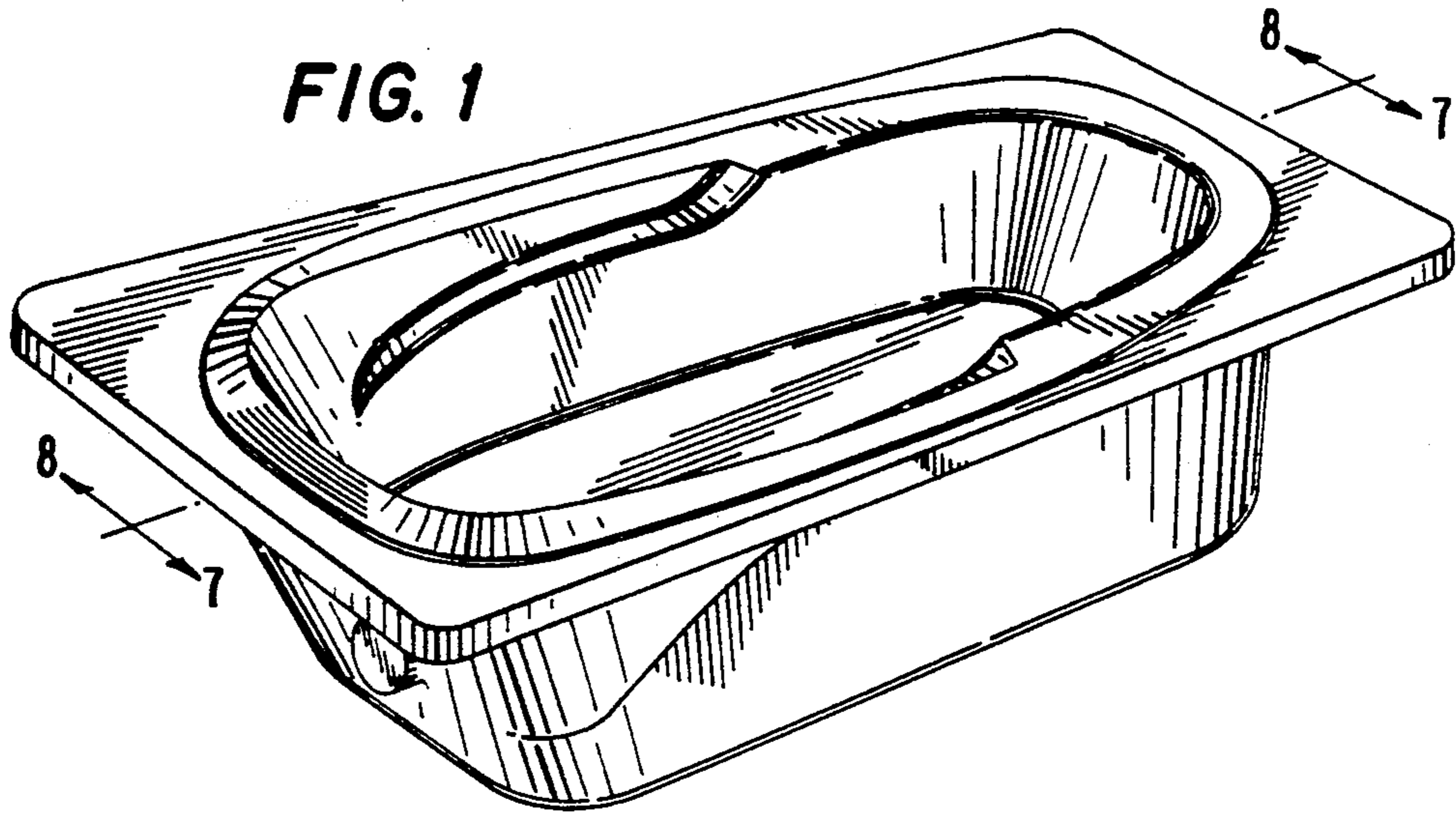
FIG. 12 is an inverted top plan view thereof on an enlarged scale;

FIG. 13 is a cross-sectional view thereof as taken along line 13—13 of FIG. 12;

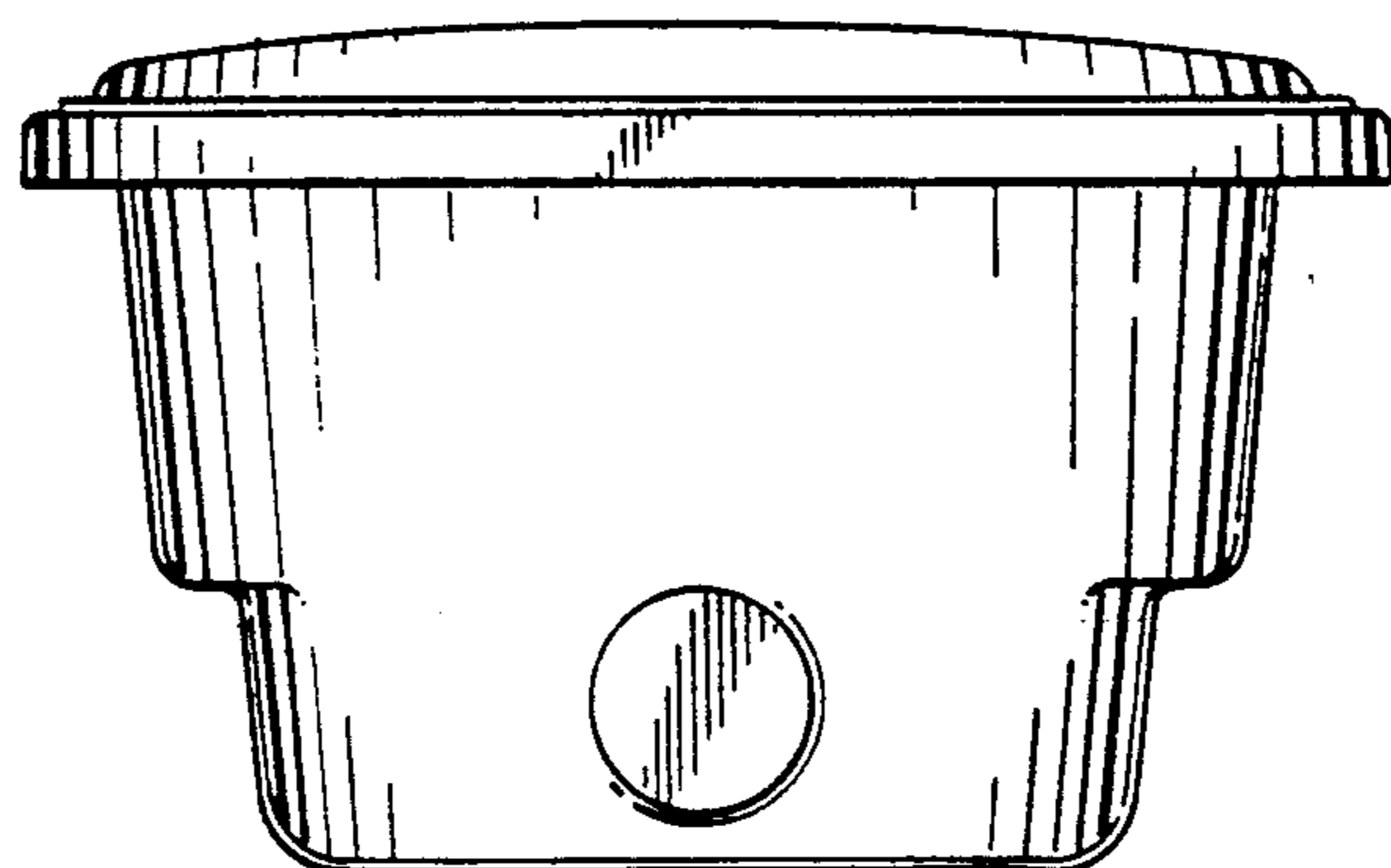
FIG. 14 is a cross-sectional view thereof as taken along line 14—14 of FIG. 12.

The front, rear and sides of the second embodiment are substantially identical to those of the first embodiment.

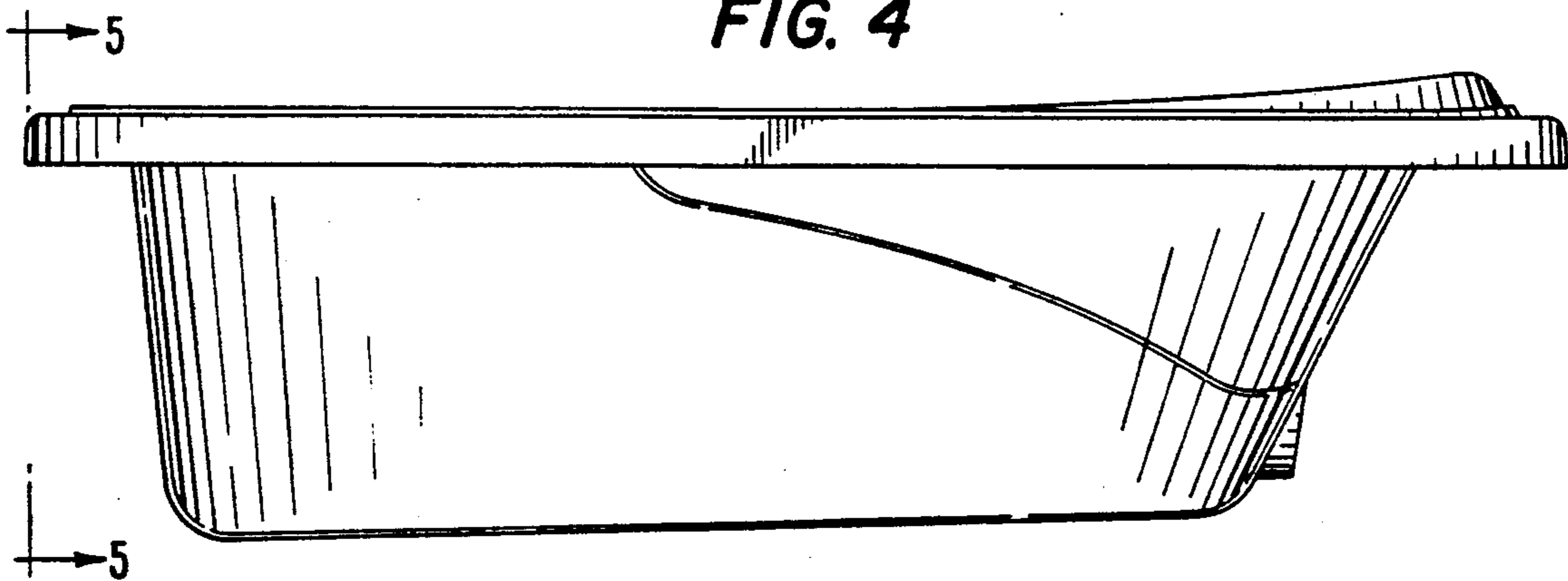




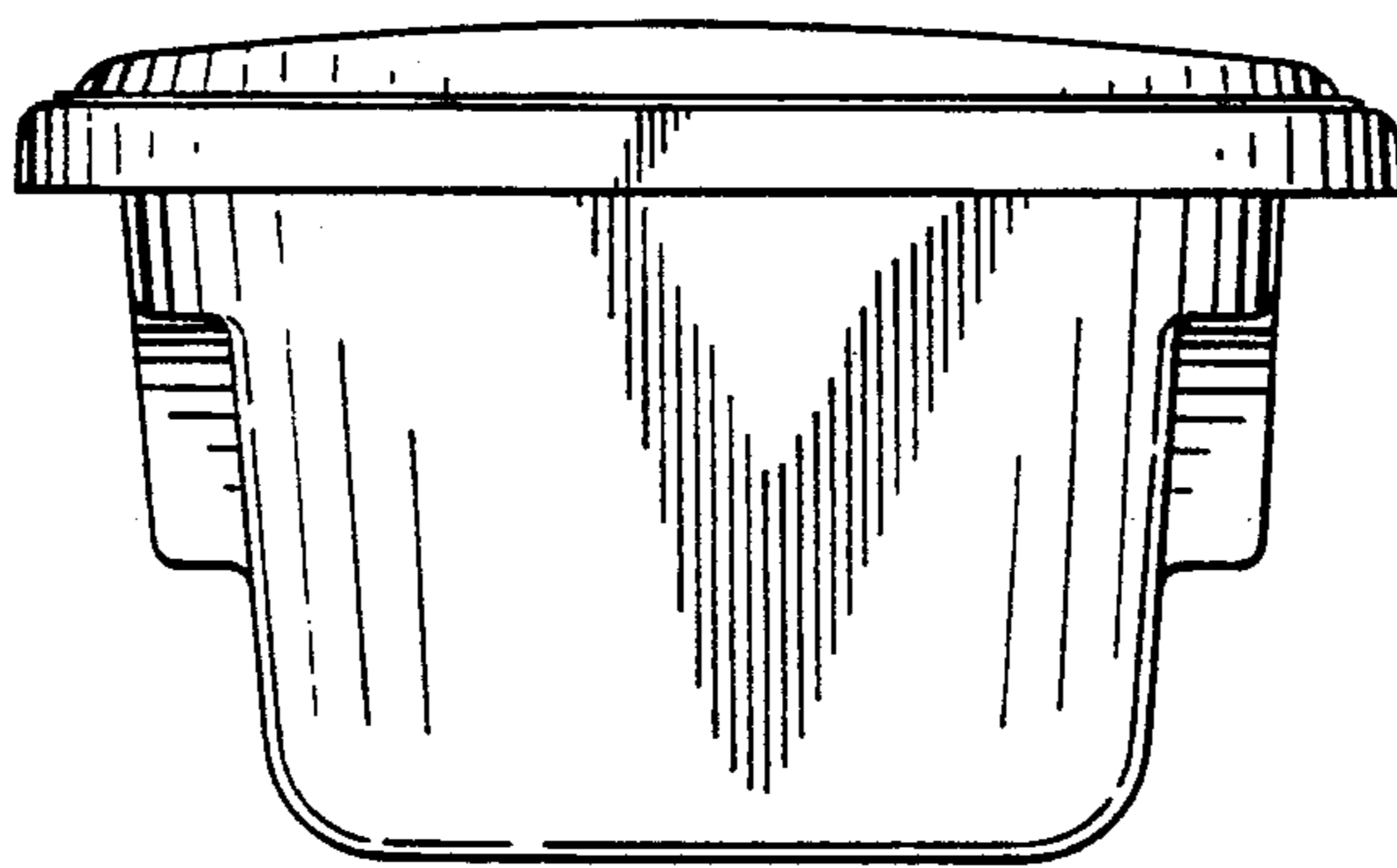
**FIG. 3**



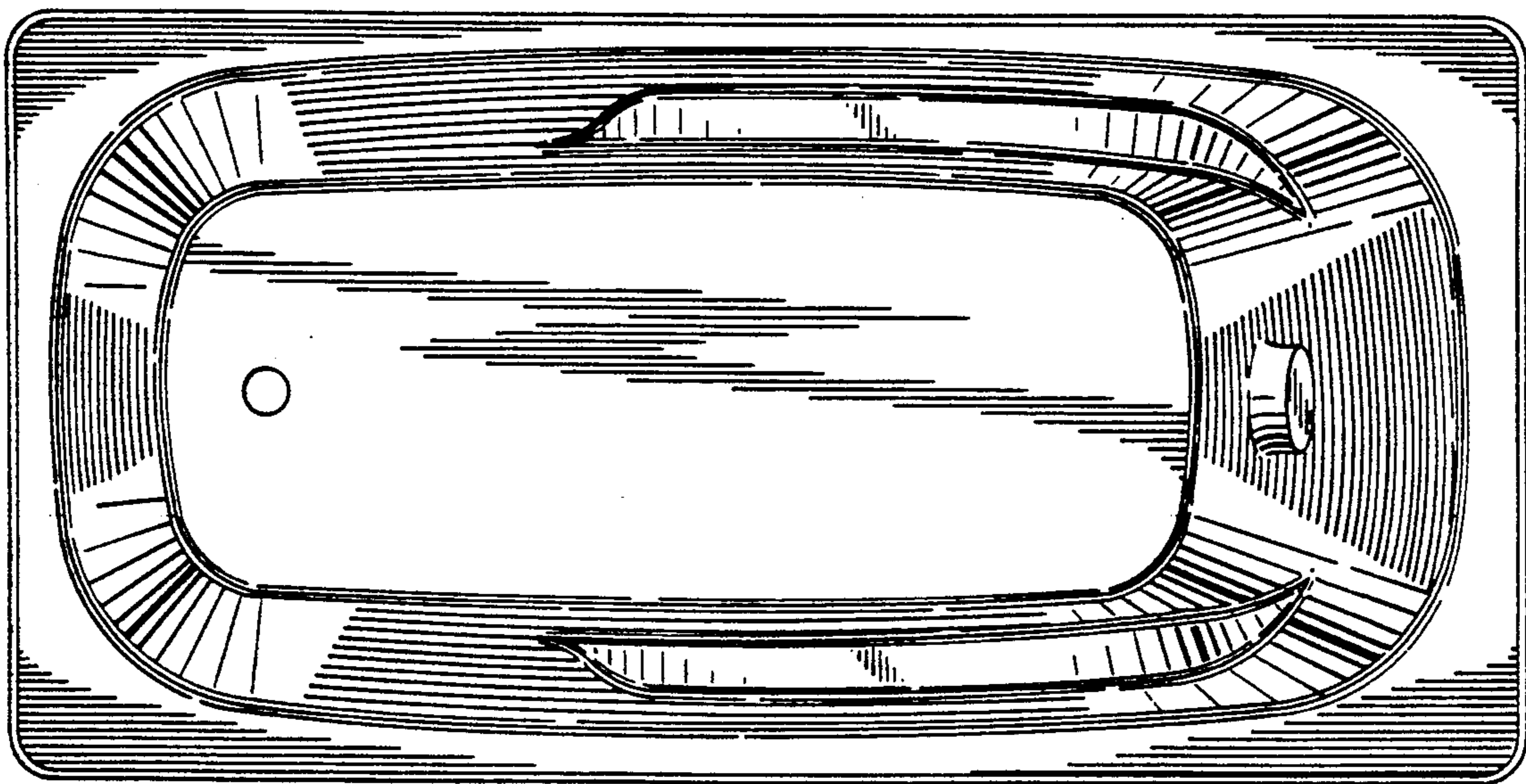
**FIG. 4**



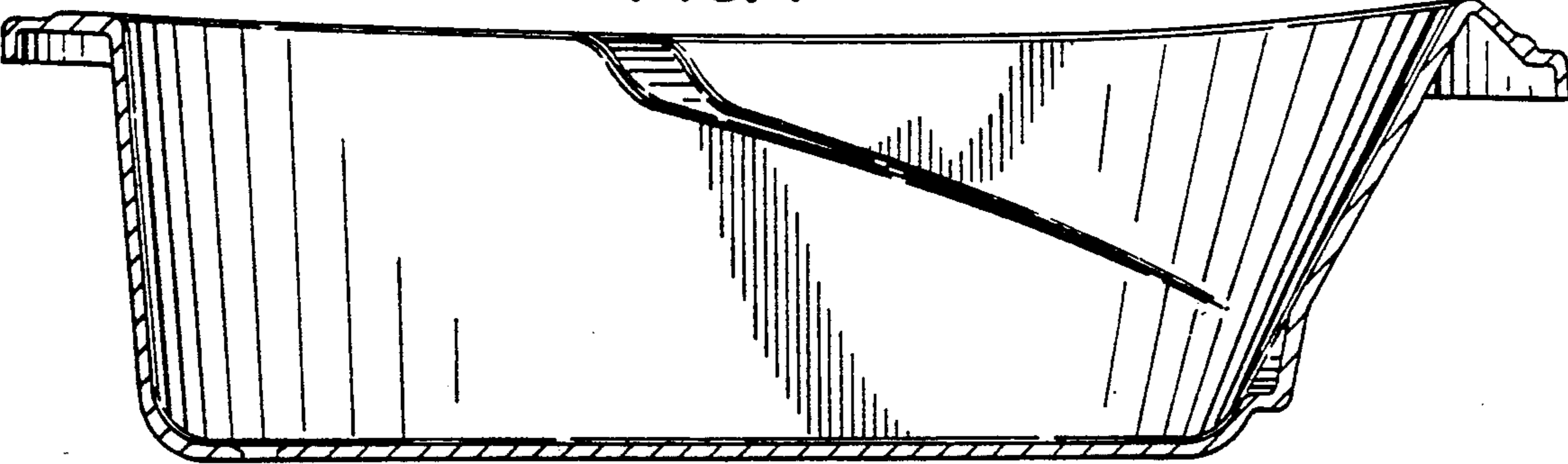
**FIG. 5**



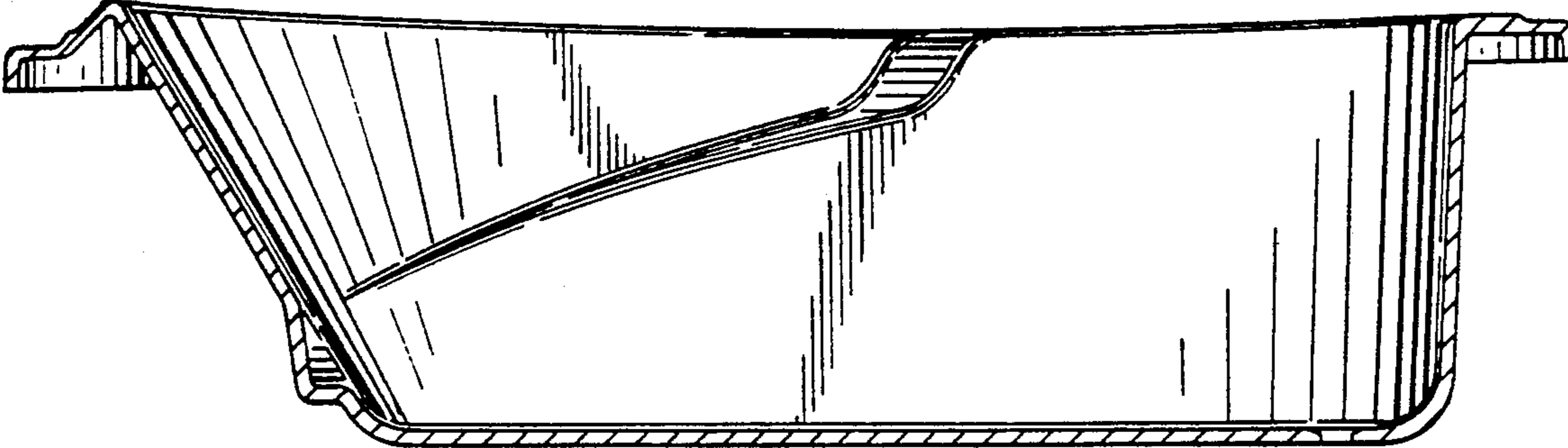
**FIG. 6**



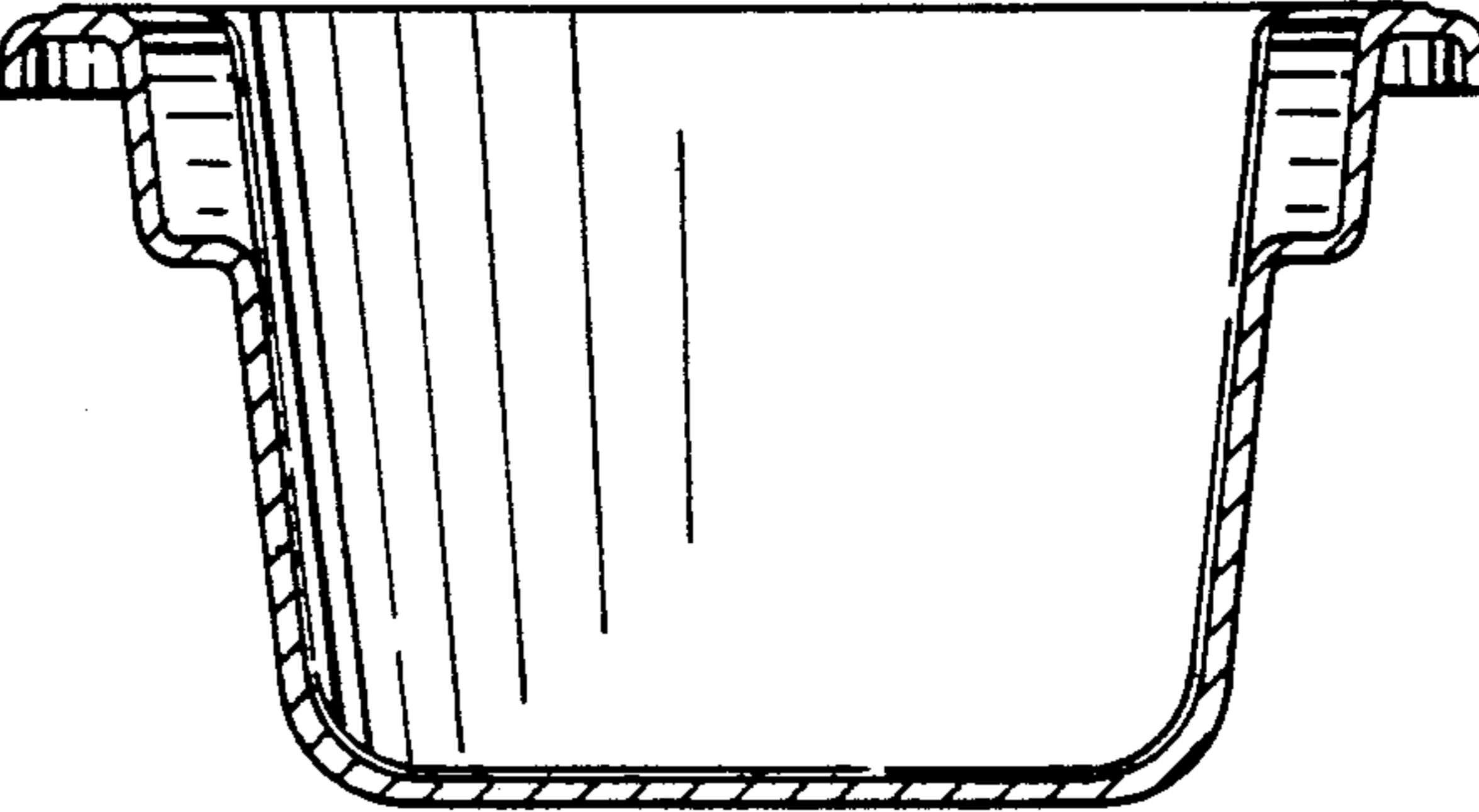
**FIG. 7**



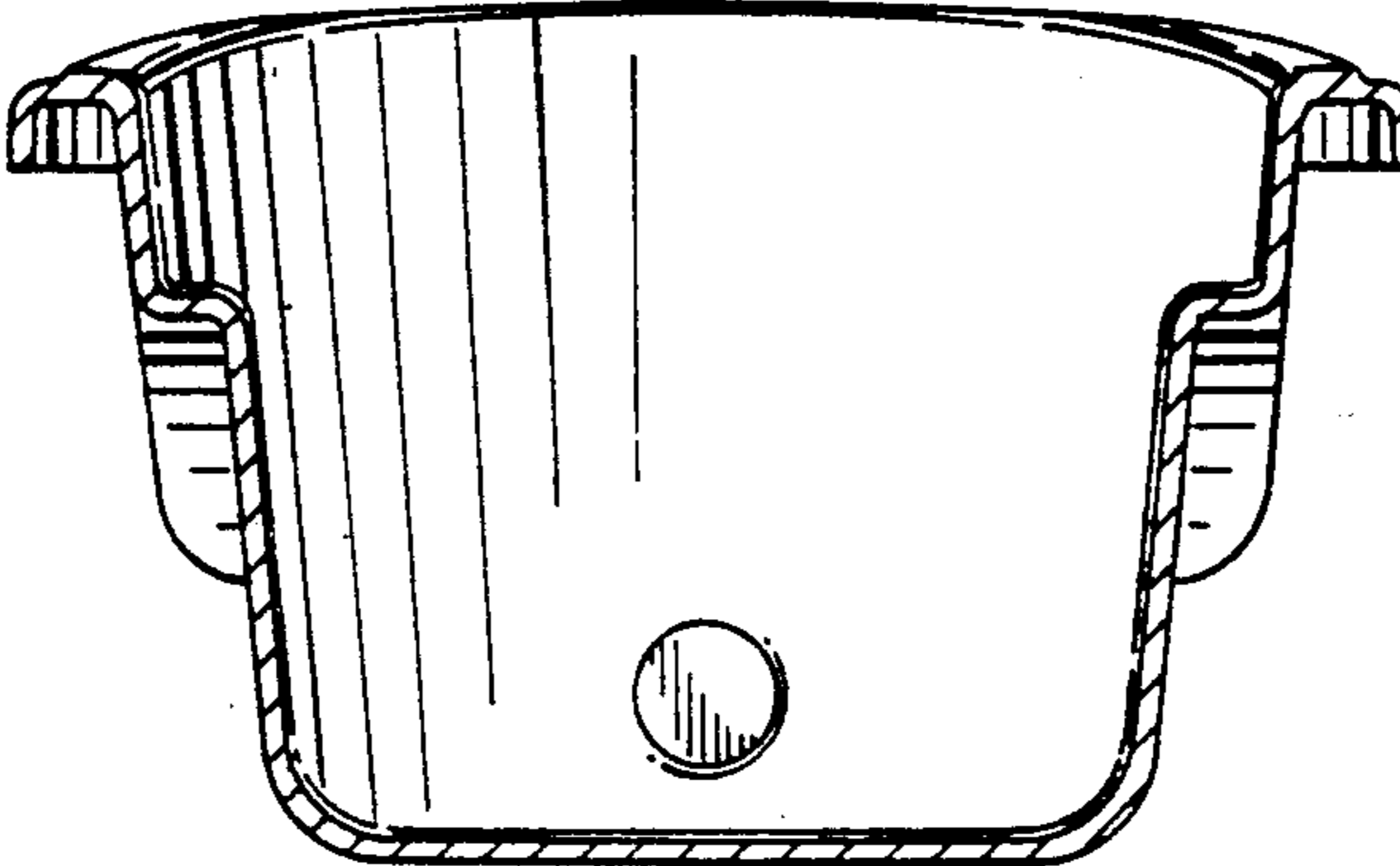
**FIG. 8**



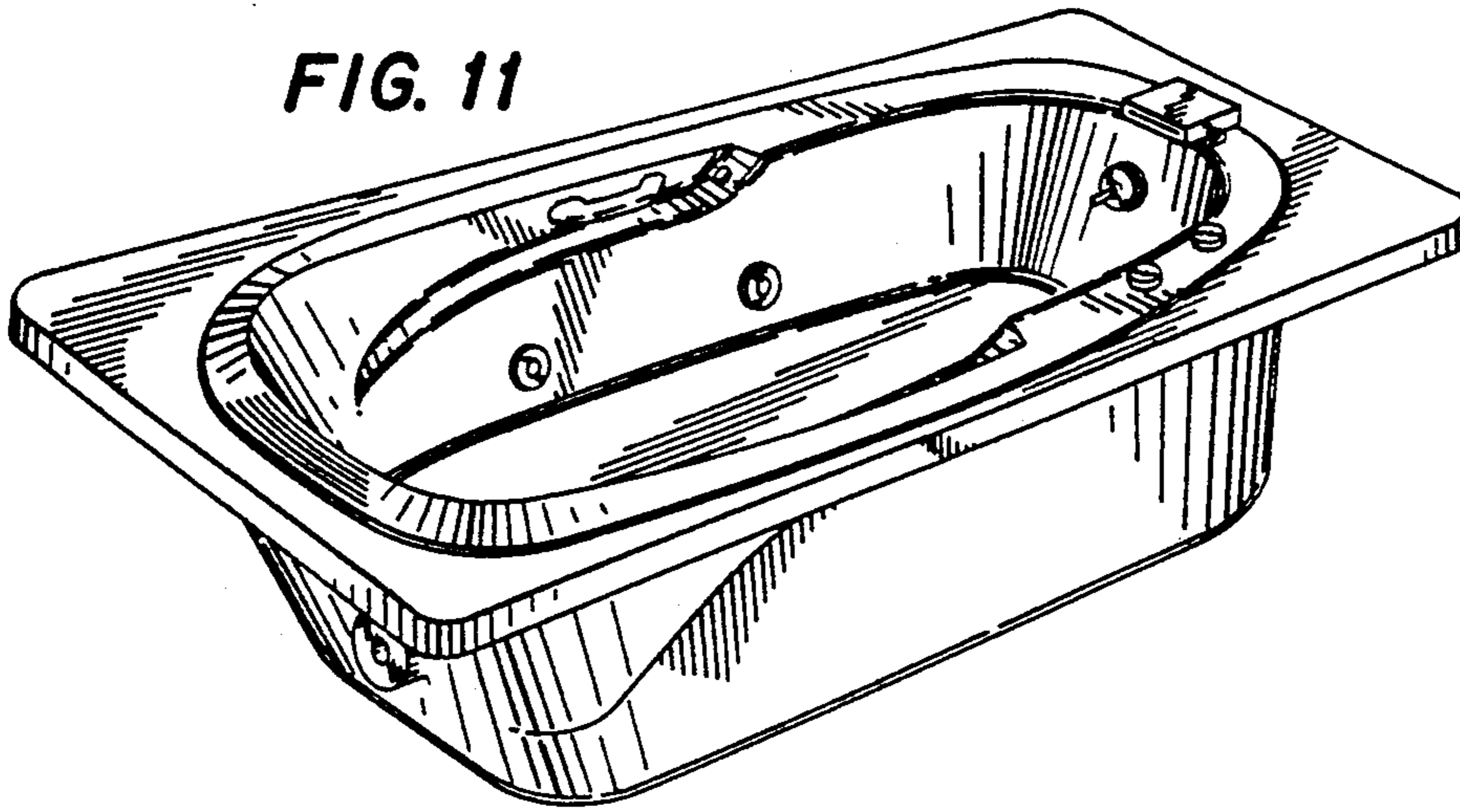
**FIG. 9**



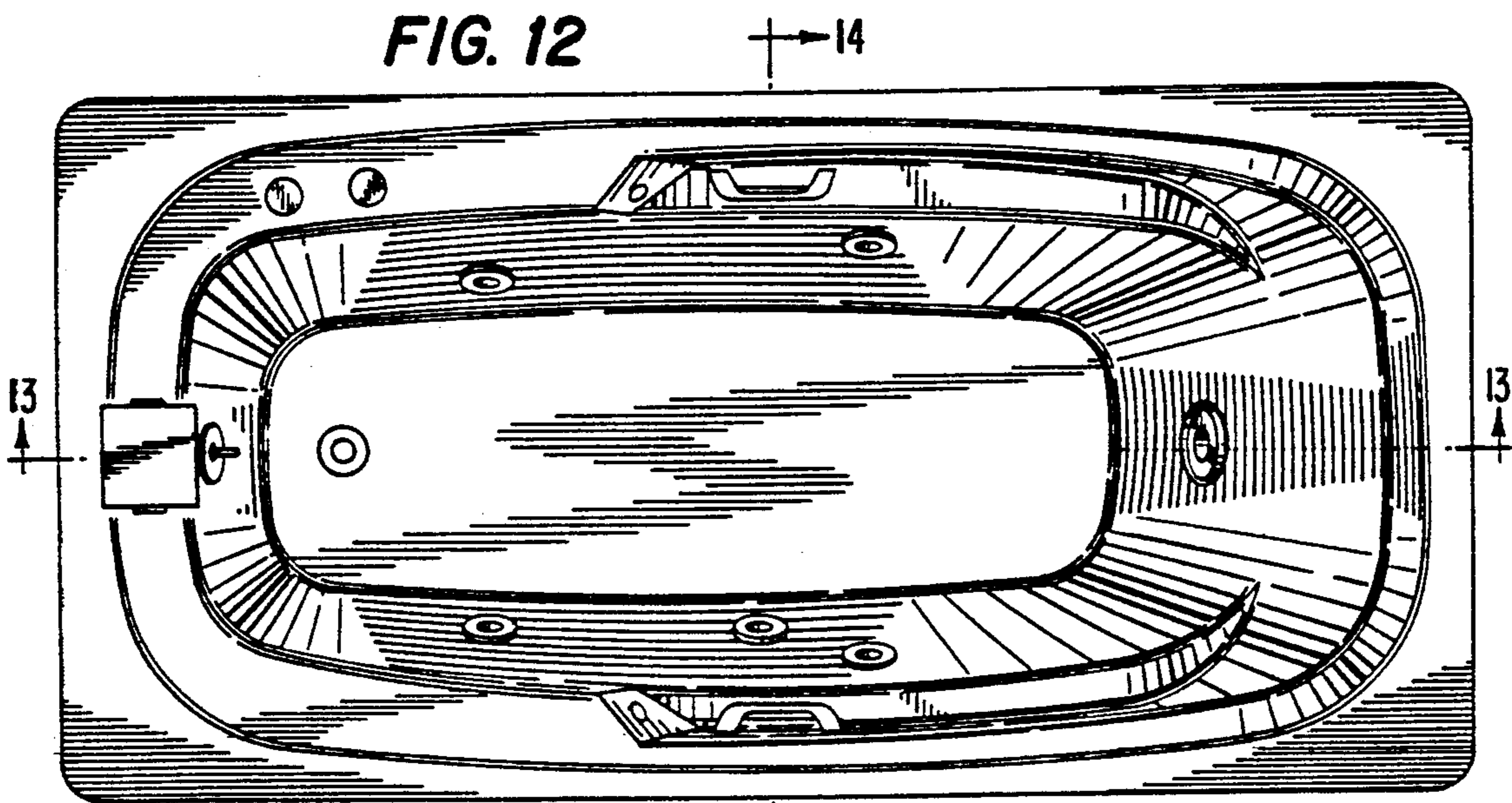
**FIG. 10**



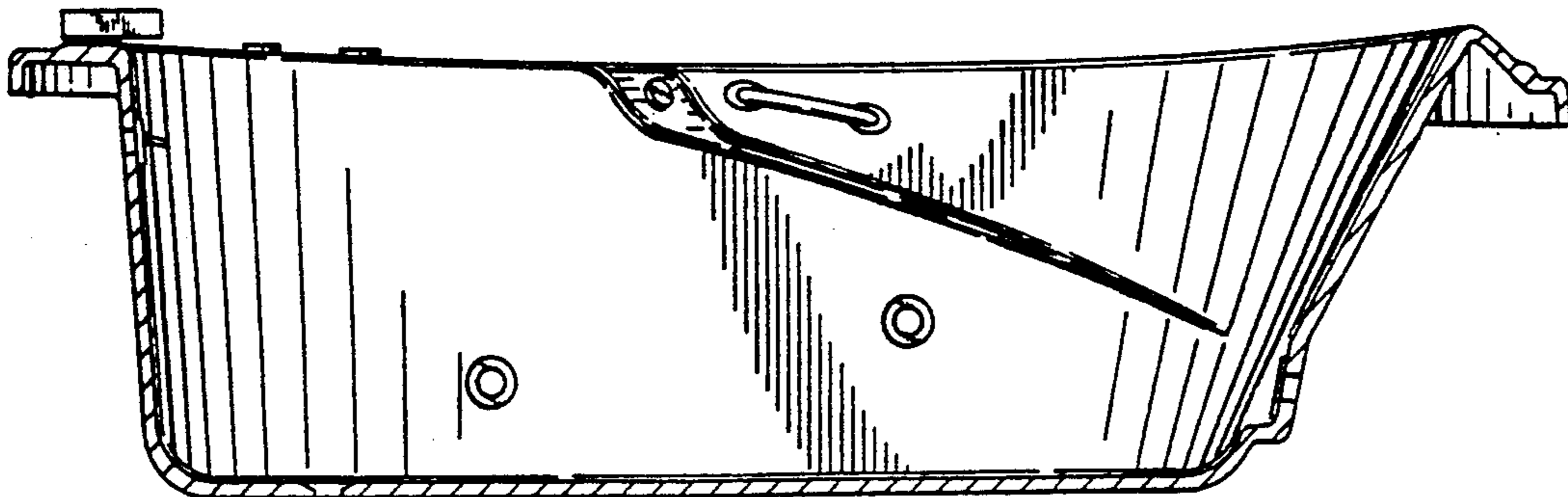
**FIG. 11**



**FIG. 12**



**FIG. 13**



**FIG. 14**

