



US00D323023S

United States Patent [19]

[11] Patent Number: **Des. 323,023**

Lazenby

[45] Date of Patent: **** Jan. 7, 1992**

[54] DIRECTOR-DIFFUSER FOR A FIRE HYDRANT

[76] Inventor: **George I. Lazenby, P.O. Box 9009, Pensacola, Fla. 32513-9009**

[**] Term: **14 Years**

[21] Appl. No.: **446,720**

[22] Filed: **Dec. 6, 1989**

[52] U.S. Cl. **D23/259; D23/234**

[58] Field of Search **D23/259-269, D23/234; 285/128, 176, 282, 33; 137/272, 294, 296**

[56] References Cited

U.S. PATENT DOCUMENTS

D. 33,257	9/1900	Kelly	D23/234
D. 45,301	2/1914	Heller	D23/263
D. 157,807	3/1950	Warren	D23/260
2,424,682	7/1947	Ebert	285/33
3,363,640	1/1968	Gallo, Sr.	137/272
4,602,654	7/1986	Stehling et al.	137/296

FOREIGN PATENT DOCUMENTS

130749 12/1949 Australia 285/282

OTHER PUBLICATIONS

Walworth Catalogue (1938), p. 397, $\frac{1}{8}$ bend soil pipe fitting, No. 2310.

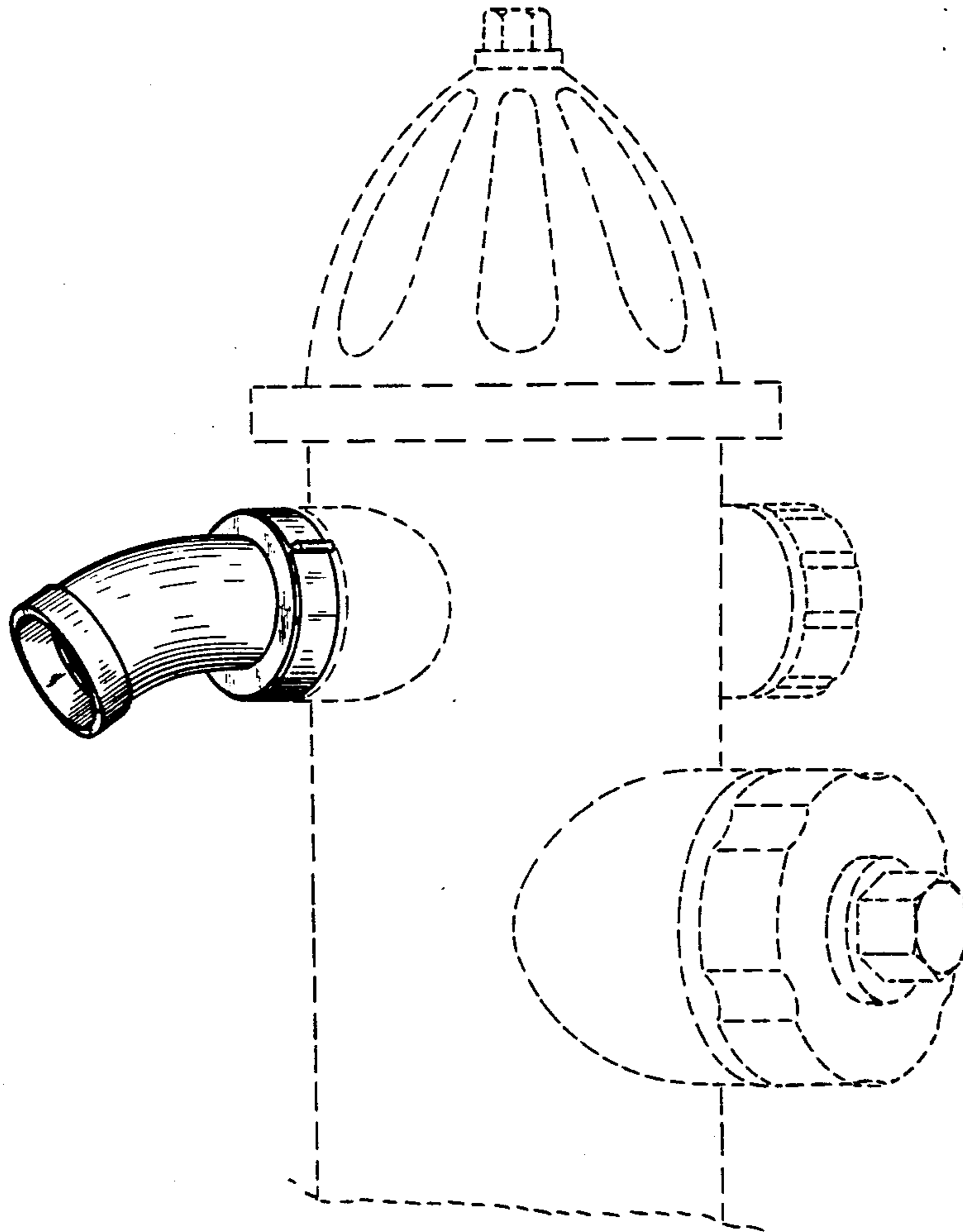
Primary Examiner—Brian N. Vinson
Attorney, Agent, or Firm—Phillips & Beumer

[57] CLAIM

The ornamental design for a director-diffuser for a fire hydrant, as shown and described.

DESCRIPTION

FIG. 1 is an rear elevational view of a director-diffuser for a fire hydrant showing my new design; FIG. 2 is a reduced top, front, and side perspective view thereof; FIG. 3 is a reduced top and front perspective view thereof; and FIG. 4 is a further reduced front and side perspective view thereof, with the broken-line depiction of a fire hydrant body being for illustrative purposes only and forming no part of the claimed design.



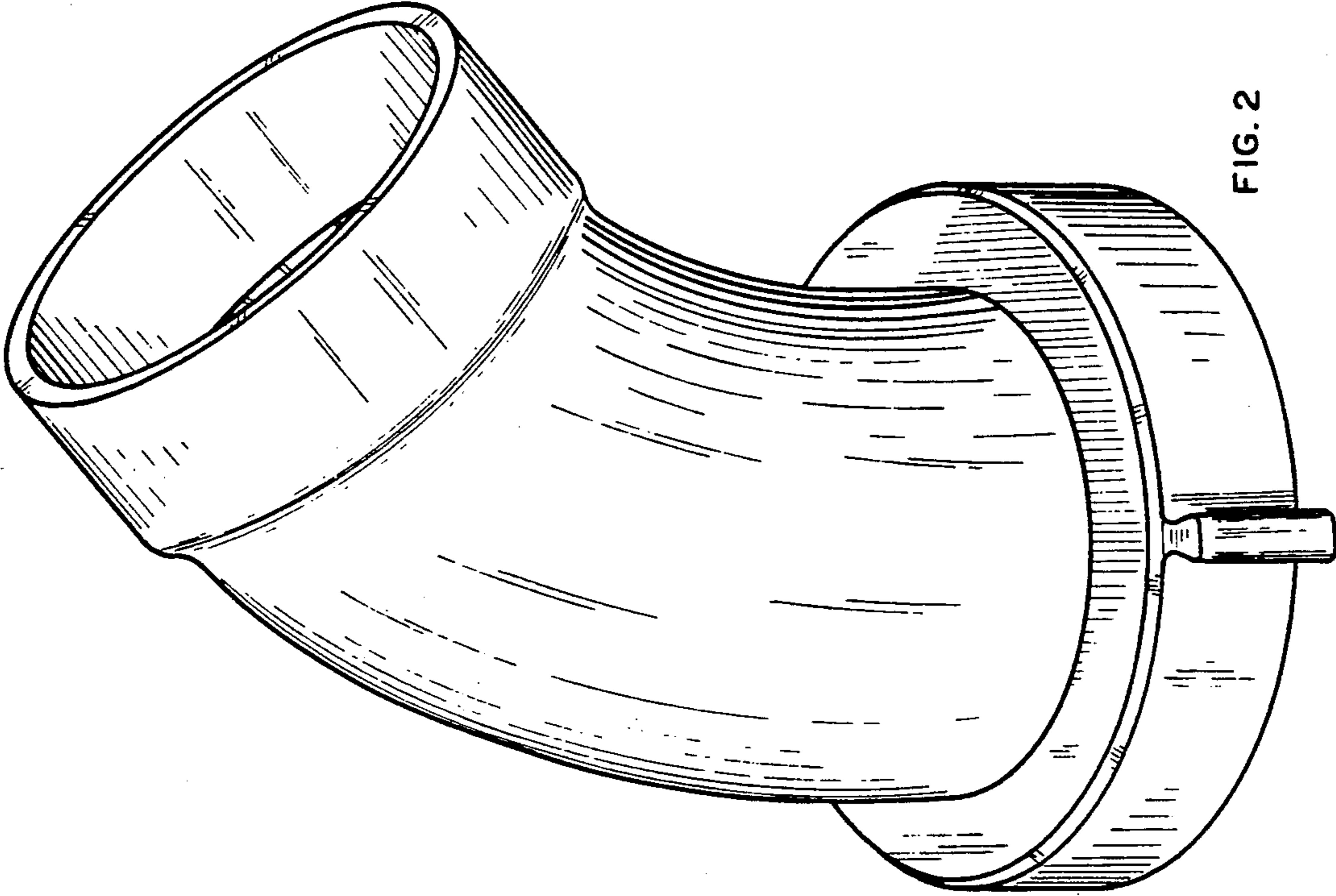


FIG. 2

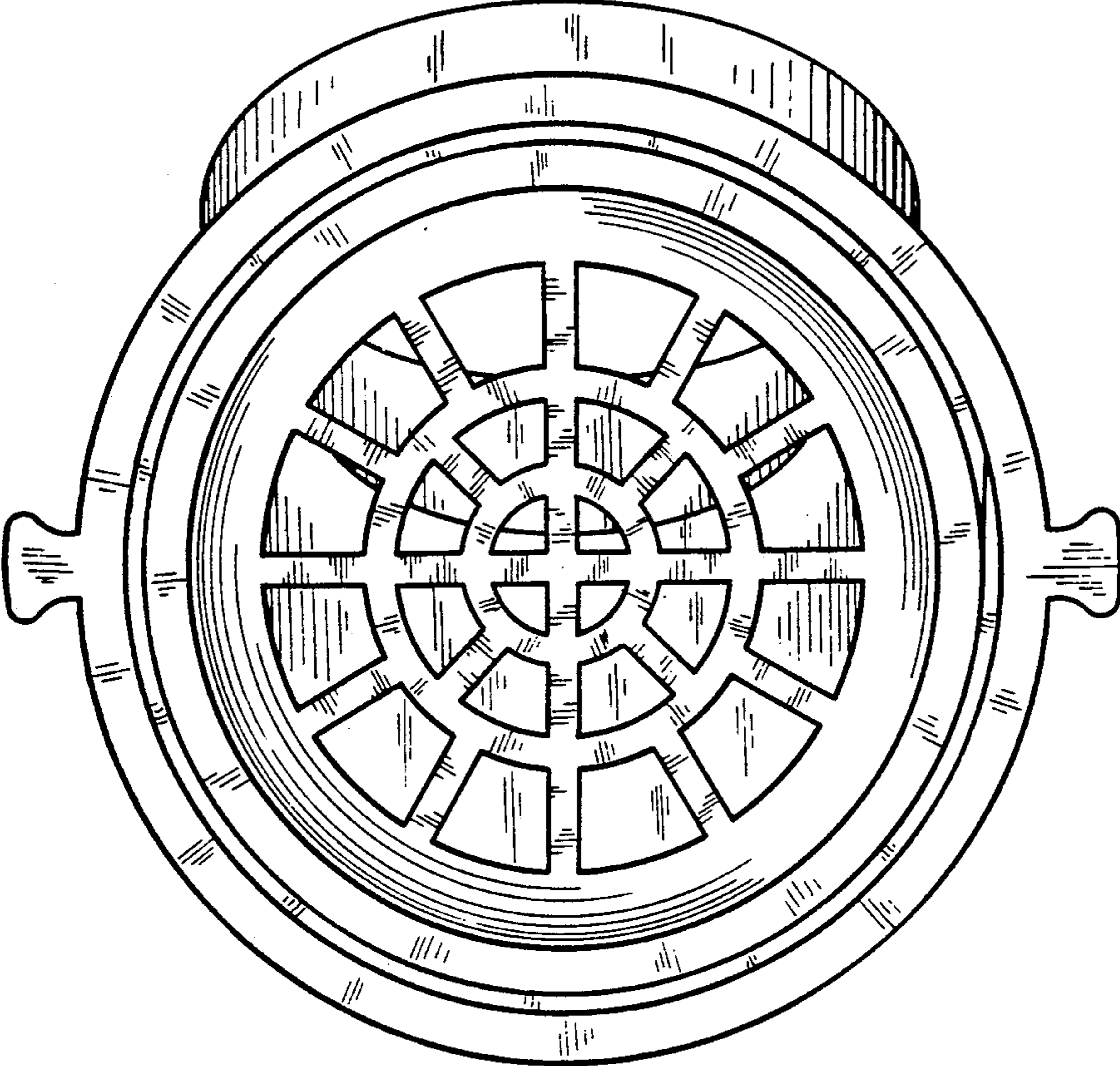


FIG. 1

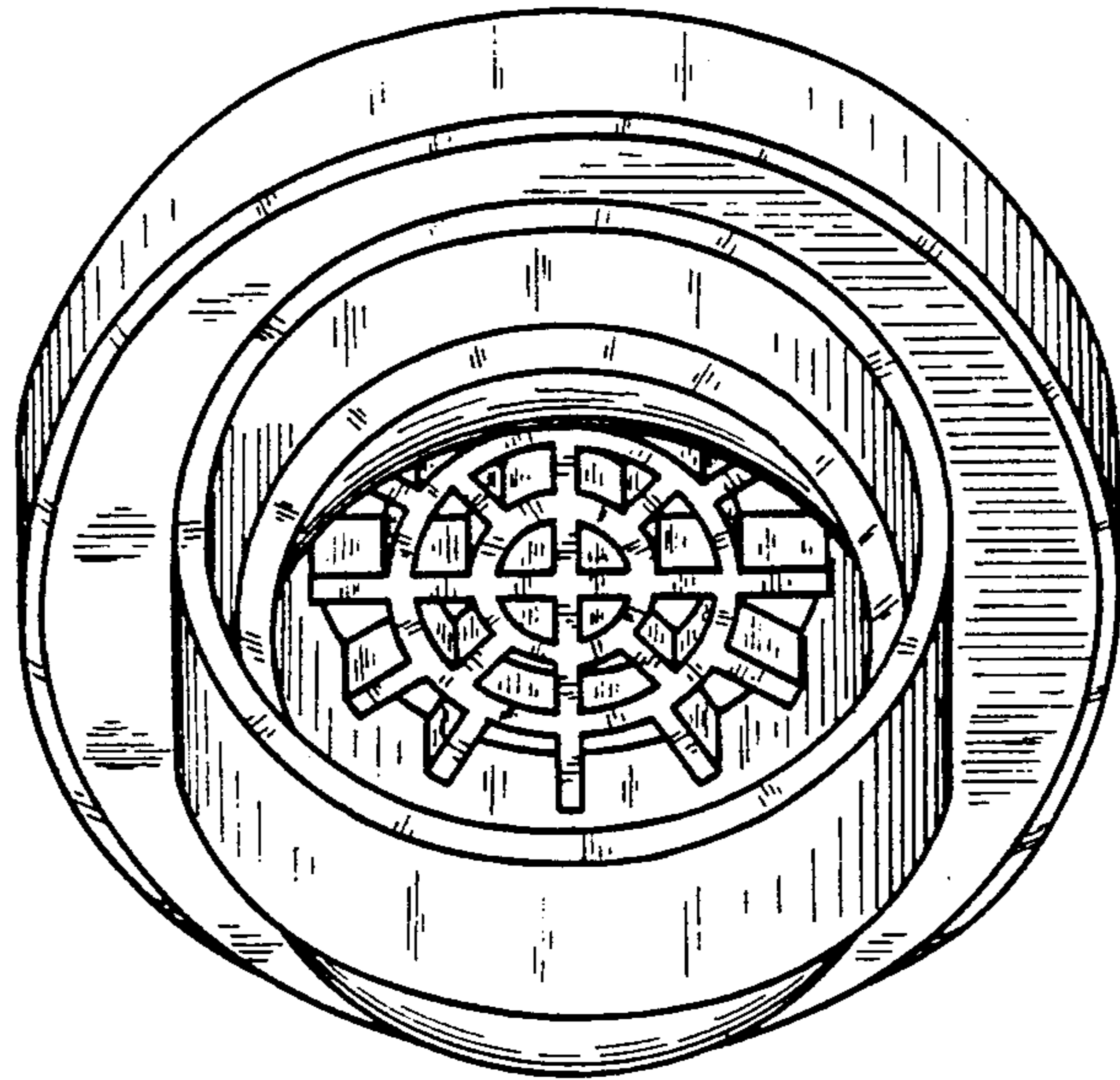


FIG. 3

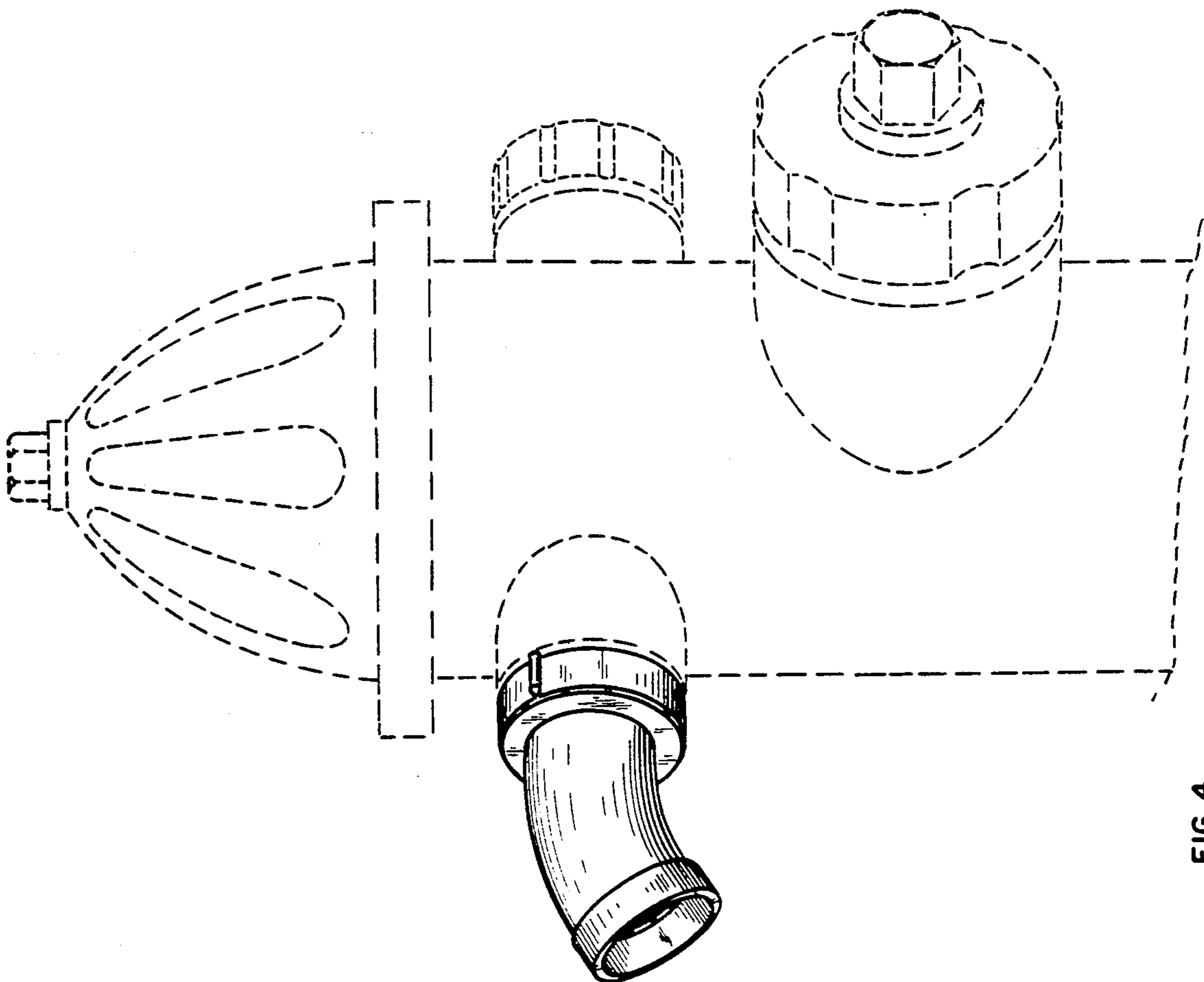


FIG. 4