



US00D323021S

# United States Patent [19]

Kohler, Jr. et al.

[11] Patent Number: **Des. 323,021**

[45] Date of Patent: **\*\* Jan. 7, 1992**

## [54] FAUCET HANDLE OR THE LIKE

[75] Inventors: **Herbert V. Kohler, Jr., Kohler; Mary J. Reid, Sheboygan; Alan D. Bengtson, Sheboygan; Thomas E. Gaffney, Sheboygan, all of Wis.**

[73] Assignee: **Kohler Co., Kohler, Wis.**

[\*\*] Term: **14 Years**

[21] Appl. No.: **332,303**

[22] Filed: **Mar. 31, 1989**

[52] U.S. Cl. .... **D23/252**

[58] Field of Search ..... **D23/238-243, D23/250-254; D8/300, 307-312; 4/191, 192; 16/181, 121; 137/801**

## [56] References Cited

### U.S. PATENT DOCUMENTS

D. 87,757	9/1932	Popp .....	D23/241
D. 265,229	6/1982	Paul .....	D23/242
D. 278,458	4/1985	Paul .....	D23/242
D. 290,336	6/1987	Paul .....	D8/308
D. 301,275	5/1989	Paul .....	D23/242
D. 301,919	6/1989	Paul .....	D23/252
D. 308,718	6/1990	Strignano .....	D23/242
4,961,443	10/1990	Buccicone et al. ....	137/359 X

## OTHER PUBLICATIONS

XSITE Catalog, No. M2-5313, p. 177, 1987.  
 1986 Elger advertisement for the "Crescendo", line of valve handles.  
 Undated Kallista advertisement for the "Emperor" valve handle (admitted prior art).  
 1987 Altmans advertisement for the "Pagoda" lever handle.  
 Harden advertisement for the 60-01-9-OB-B valve handle, undated (admitted prior art).  
 Magazine advertisement for Sherle Wagner products entitled, "Gold and Platinum Basins! . . .", undated (admitted prior art).

*Primary Examiner*—James R. Largen  
*Attorney, Agent, or Firm*—Quarles & Brady

## [57] CLAIM

The ornamental design for a faucet handle or the like, as shown and described.

## DESCRIPTION

FIG. 1 is a perspective view taken from the top, front and right side of a faucet handle or the like showing our new design;  
 FIG. 2 is a right side elevational view thereof, the left side being the mirror image of the right side;  
 FIG. 3 is a top plan view thereof;  
 FIG. 4 is a front elevational view thereof, the rear elevational view being the mirror image thereof; and  
 FIG. 5 is a bottom plan view thereof.

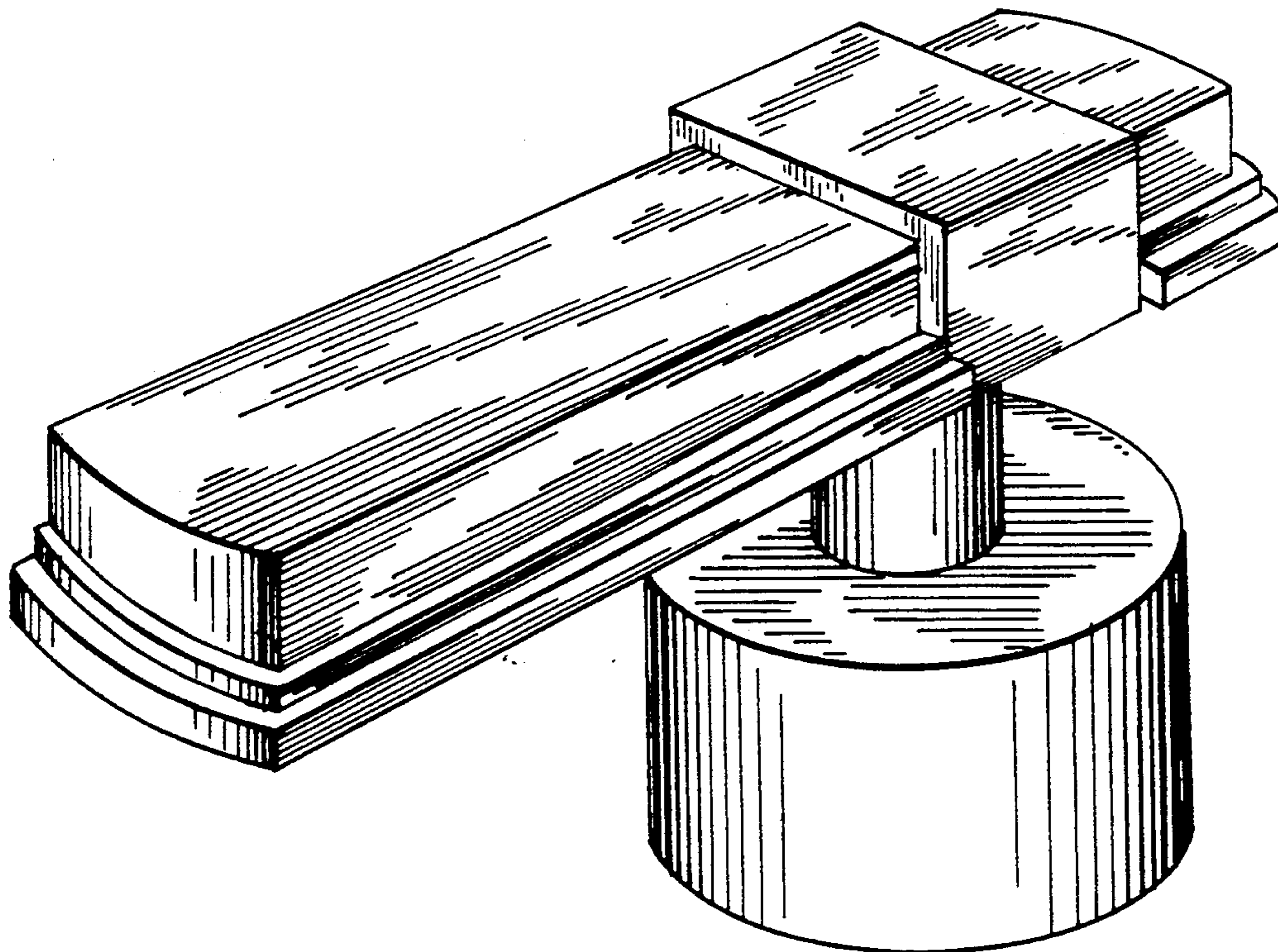


FIG. 1

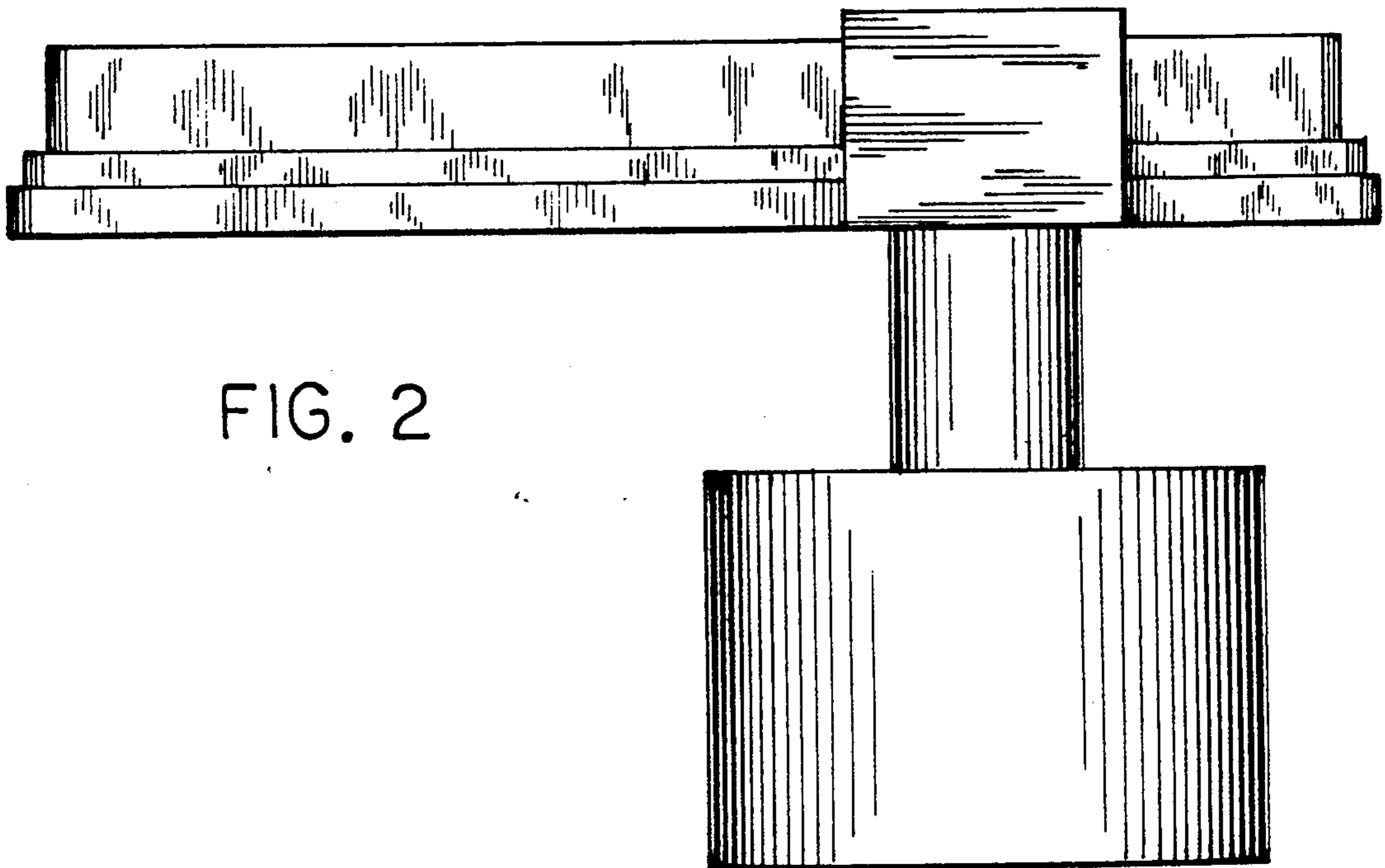
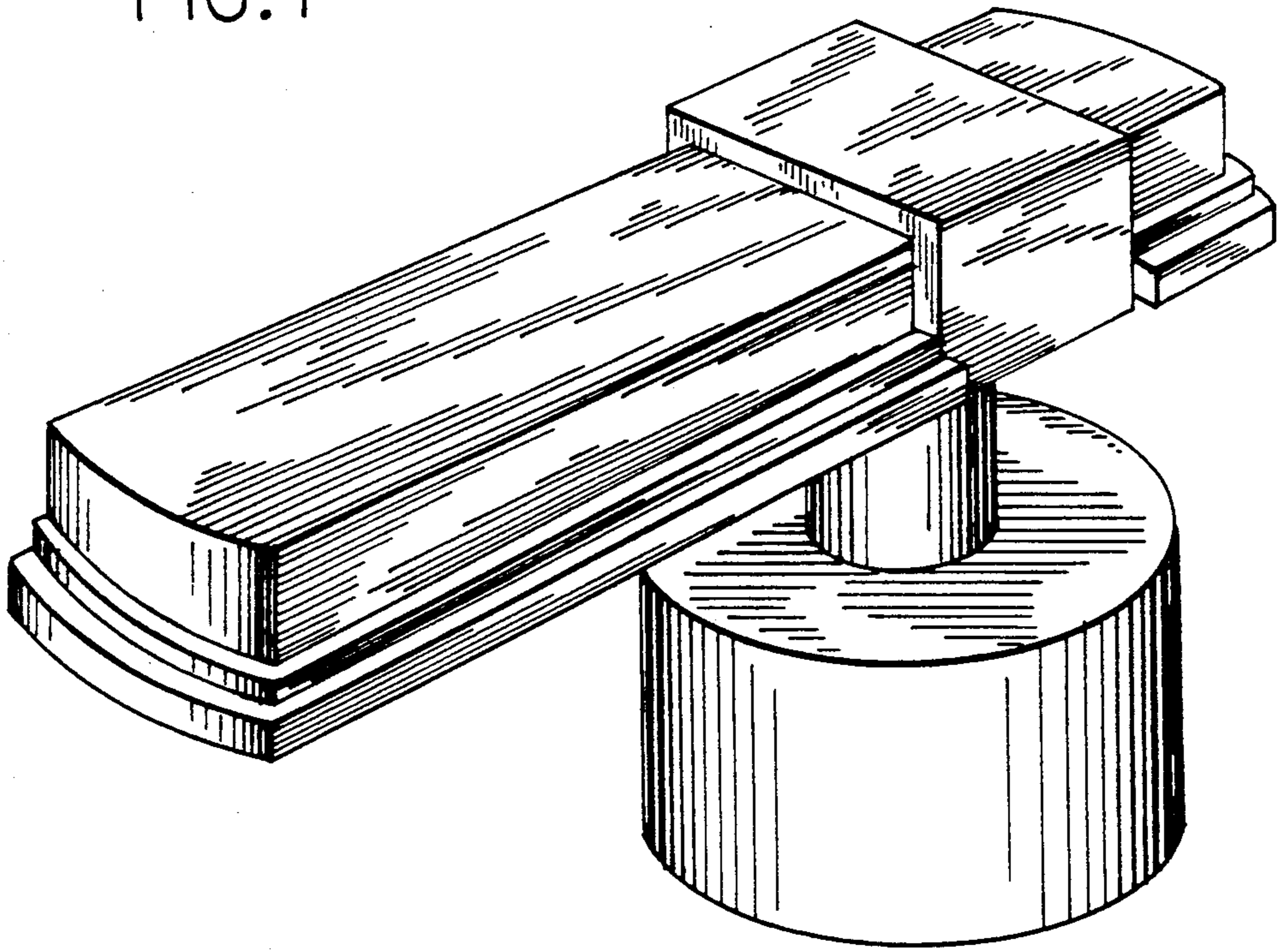


FIG. 2

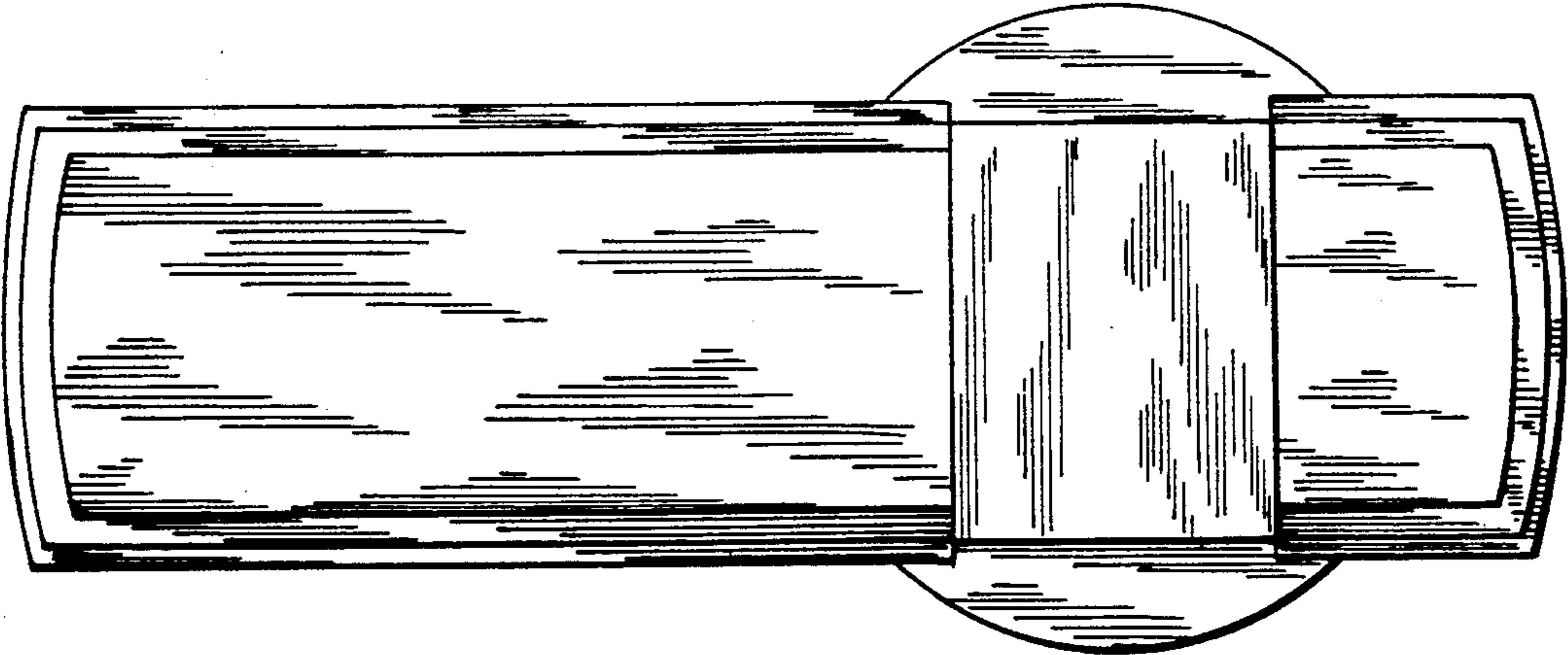


FIG. 3

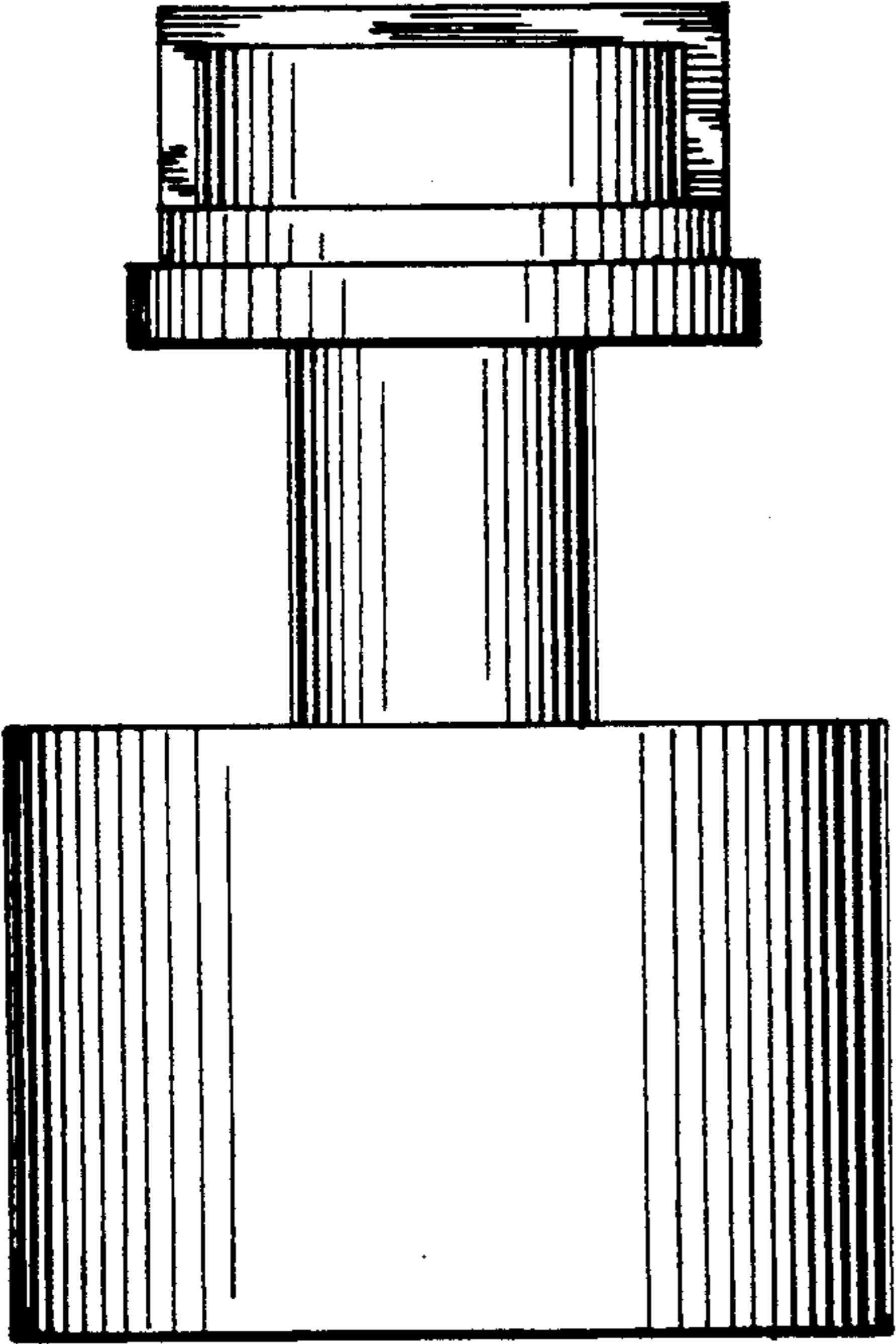


FIG. 4

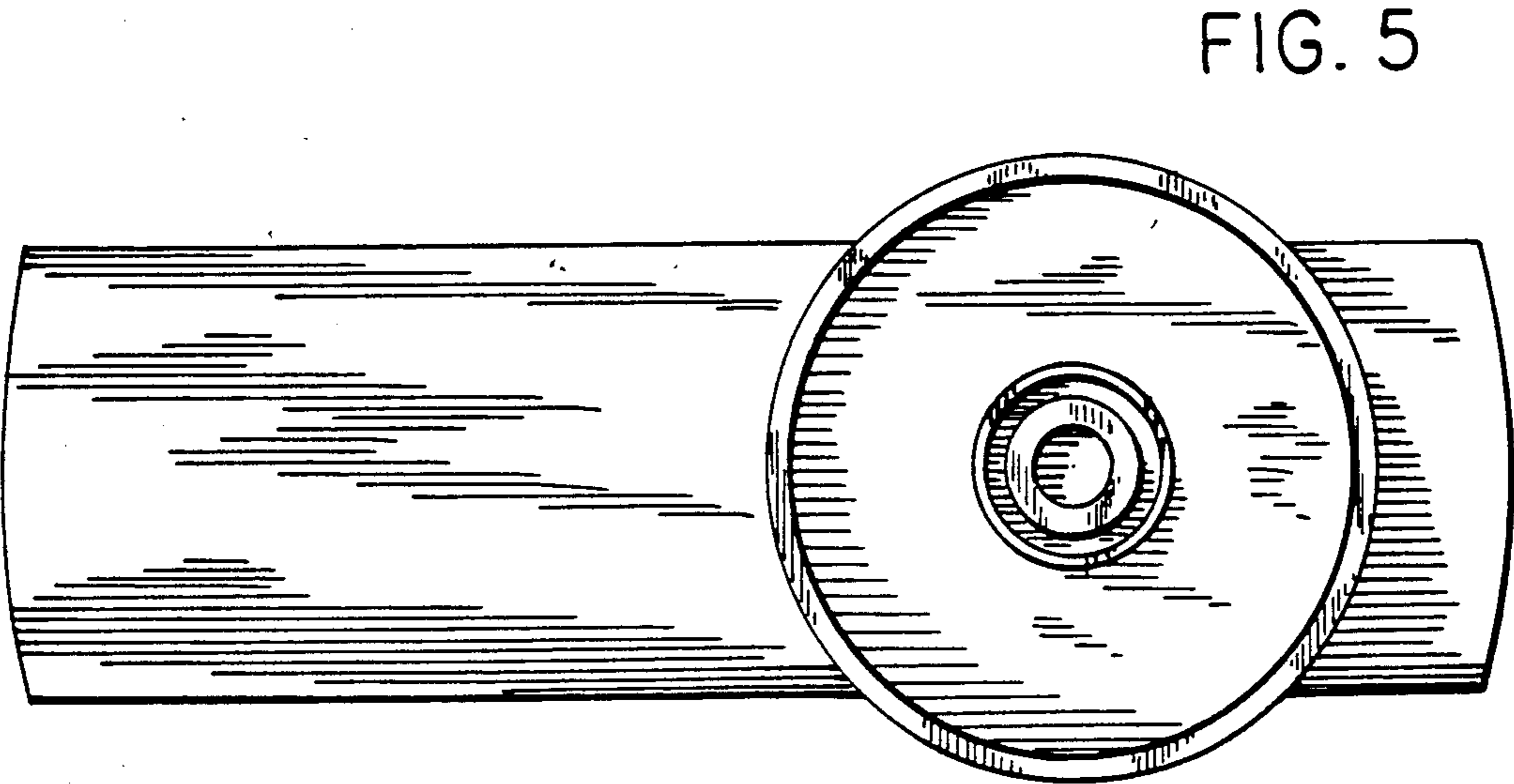


FIG. 5