



US00D323018S

# United States Patent [19]

Coley

[11] Patent Number: **Des. 323,018**

[45] Date of Patent: **\*\* Jan. 7, 1992**

[54] **HAND OPERATED PUMP**

[75] Inventor: **Laudis Coley, McRae, Ark.**

[73] Assignee: **Coley's Inc., McRae, Ark.**

[\*\*] Term: **14 Years**

[21] Appl. No.: **507,585**

[22] Filed: **Apr. 11, 1990**

[52] U.S. Cl. .... **D23/231**

[58] Field of Search ..... **D23/231-232;**  
**417/536, 234, 541-544, 535, 537**

[56] **References Cited**

**U.S. PATENT DOCUMENTS**

11,169	6/1854	Gowan .....	417/535
D. 205,690	9/1966	Allard .....	D23/232
D. 222,457	10/1971	Bair .....	D23/232
D. 224,594	8/1972	Eves .....	D23/232
D. 308,567	6/1990	Russold et al. ....	D23/231
2,832,295	4/1958	Waldherr, Jr. ....	417/542

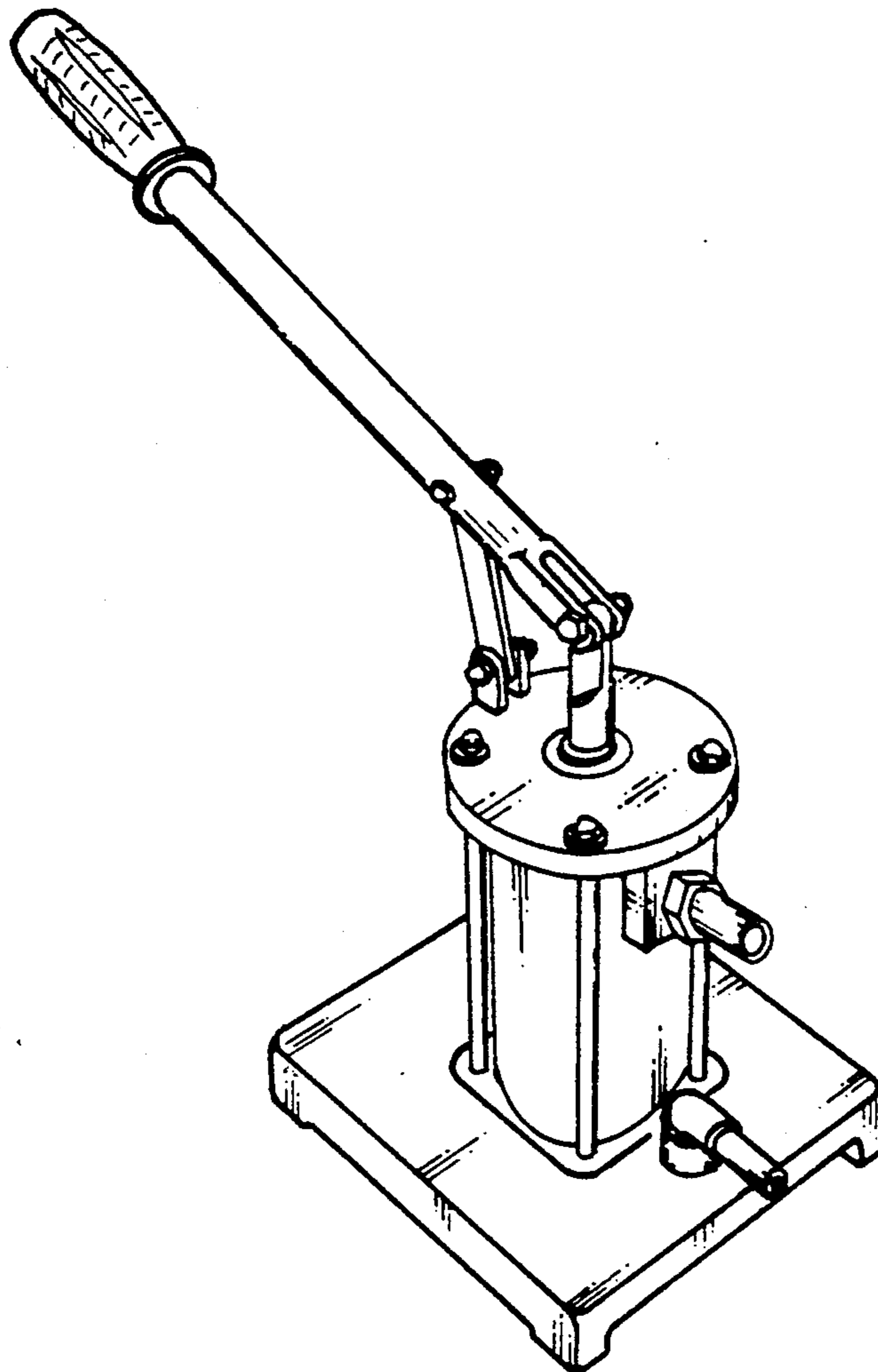
*Primary Examiner*—Susan J. Lucas  
*Assistant Examiner*—M. H. Tung  
*Attorney, Agent, or Firm*—Stephen D. Carver

[57] **CLAIM**

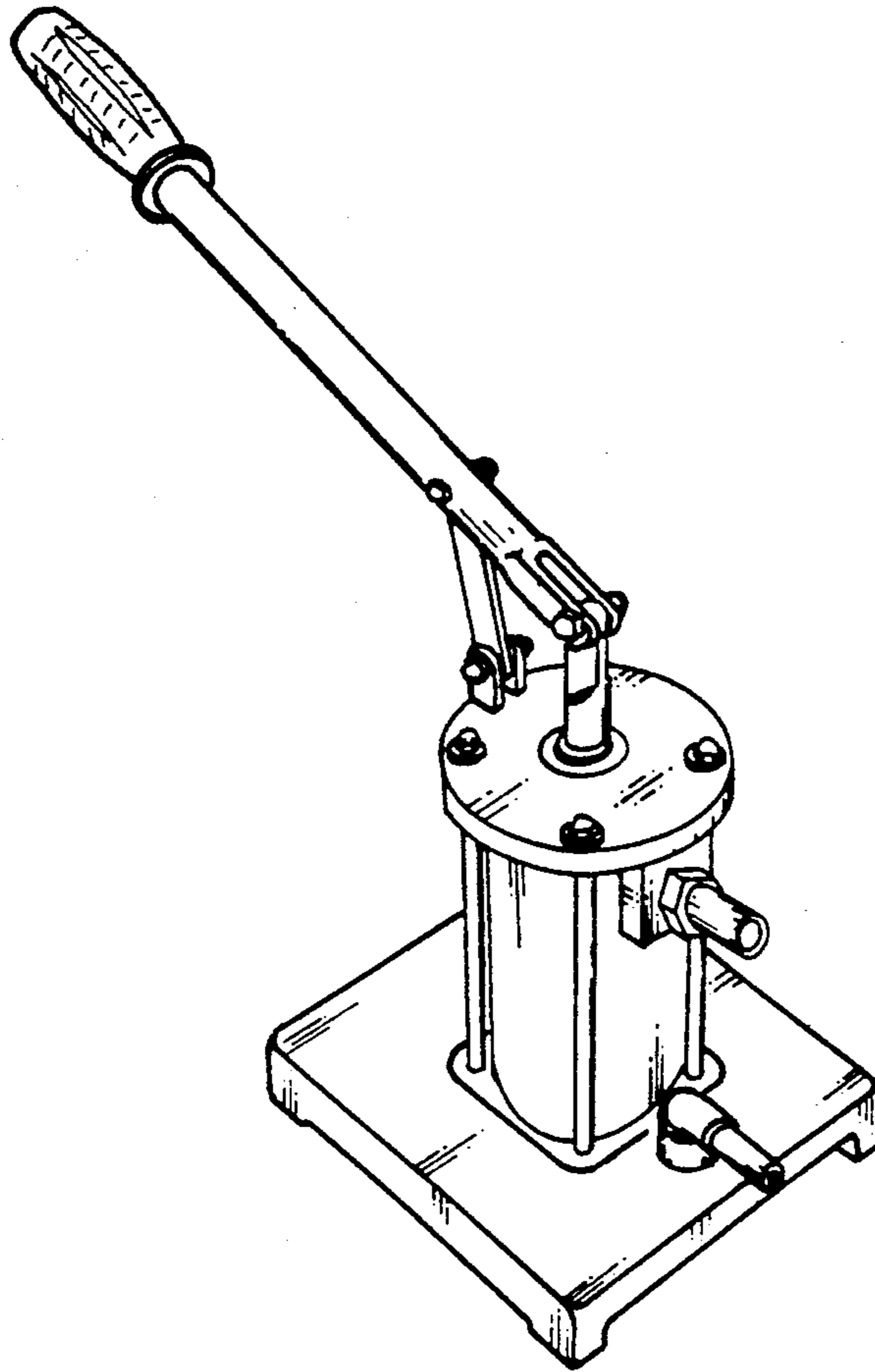
The ornamental design for a hand operated pump, as shown and described.

**DESCRIPTION**

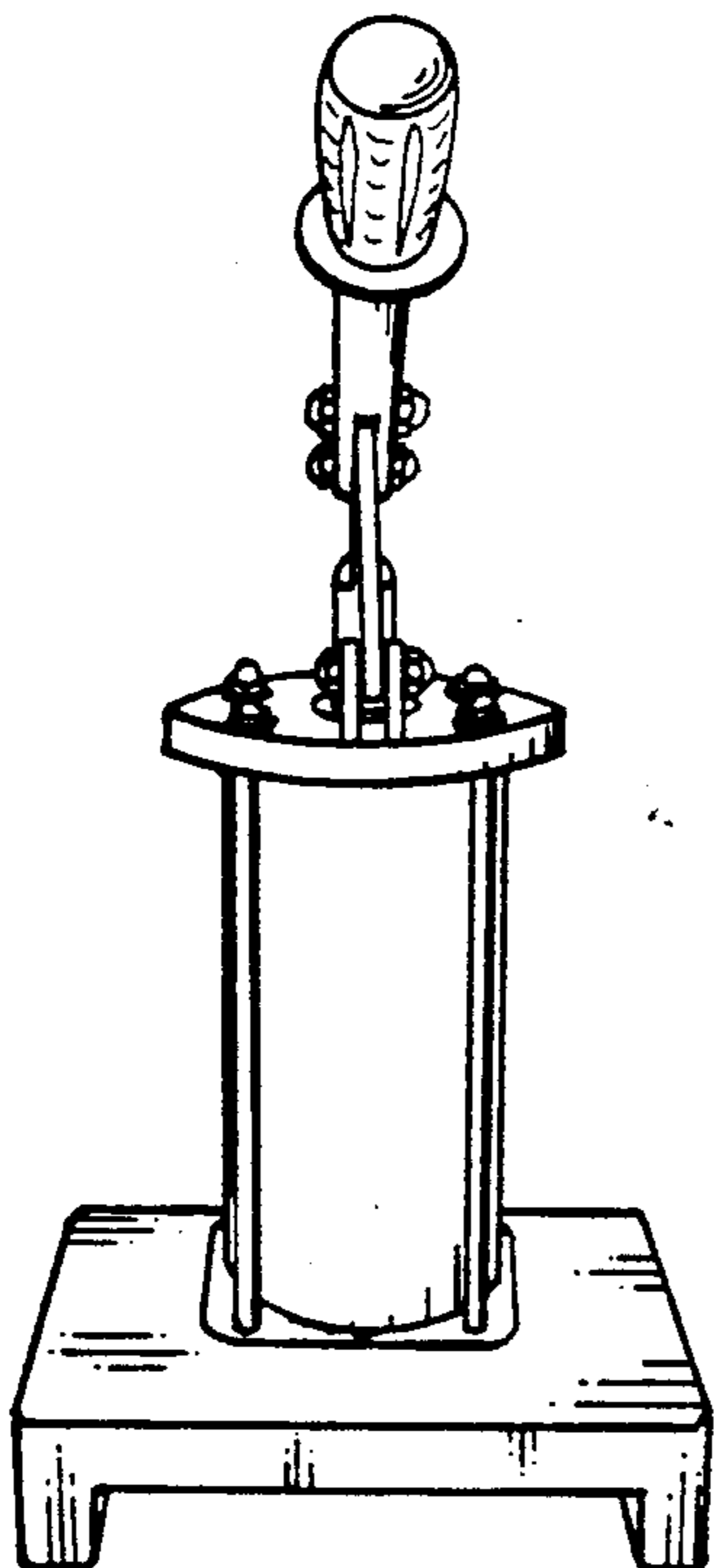
FIG. 1 is a front, side perspective view of a hand operated pump, showing my new design;  
FIG. 2 is a rear perspective view thereof;  
FIG. 3 is a front perspective view thereof;  
FIG. 4 is a side perspective view thereof, the other side being a mirror image;  
FIG. 5 is a top plan view thereof, the handle is broken away for convenience of illustration;  
FIG. 6 is a bottom plan view thereof;  
FIG. 7 is a side elevational view thereof; and,  
FIG. 8 is a front elevational view thereof.



**FIG. 1**



**FIG. 2**



**FIG. 3**

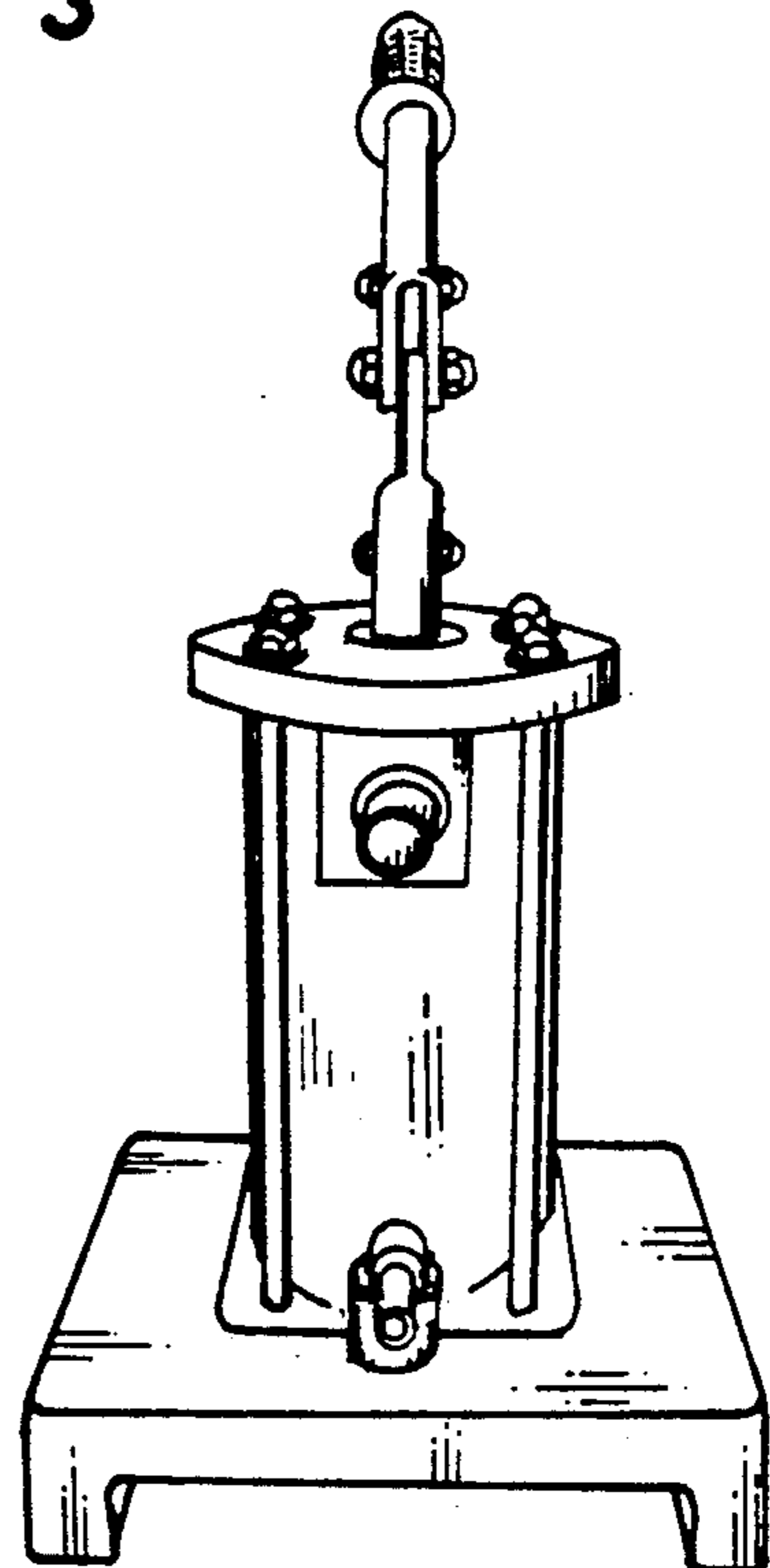


FIG. 4

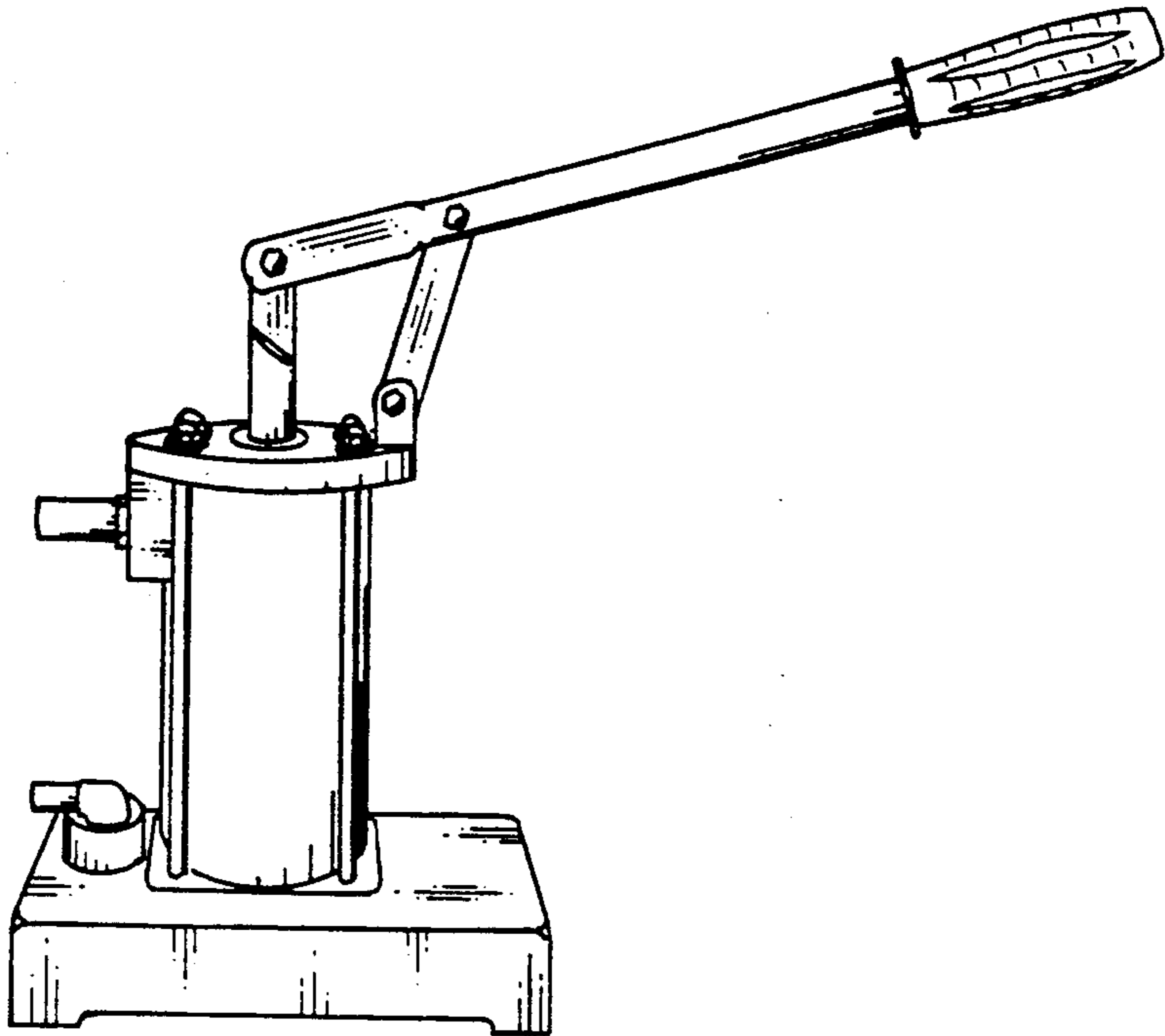


FIG. 5

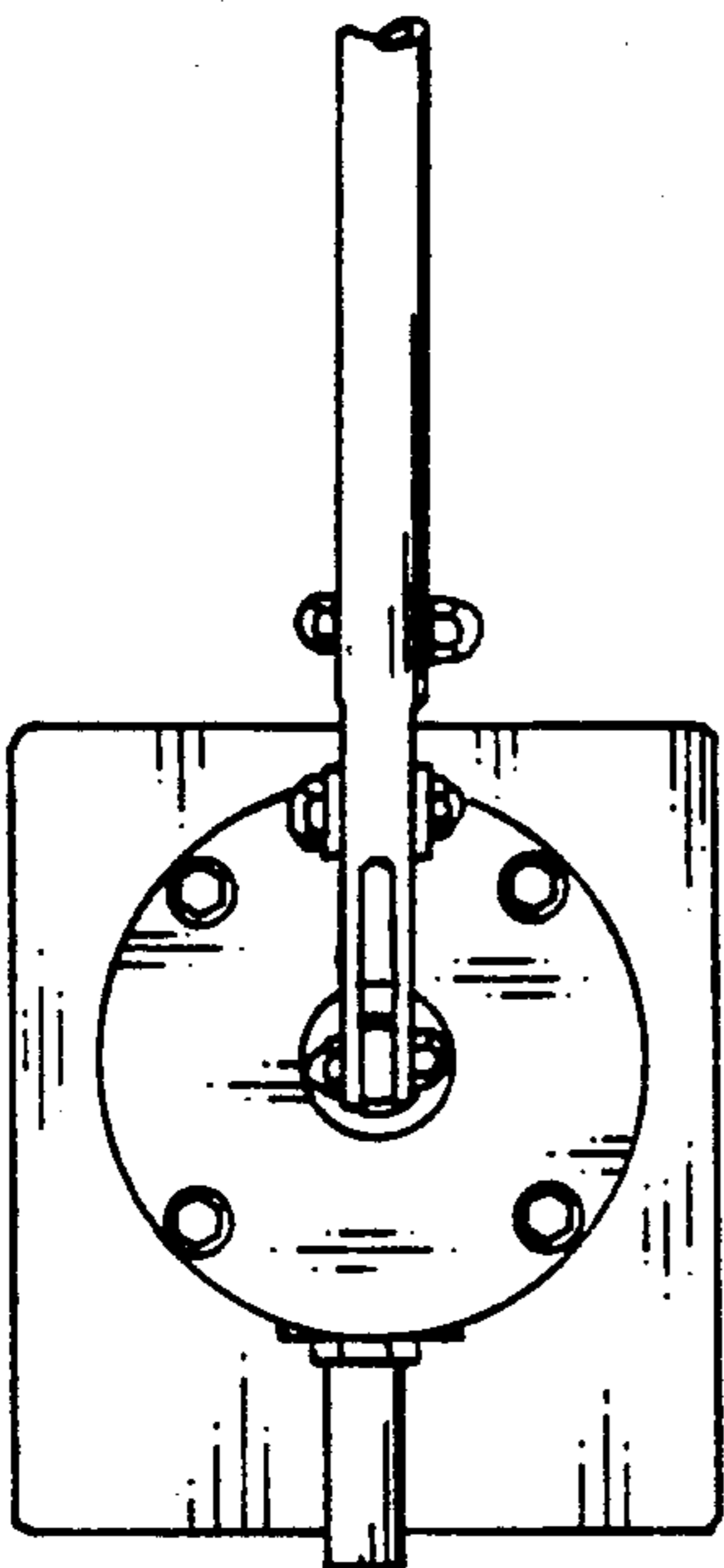


FIG. 6

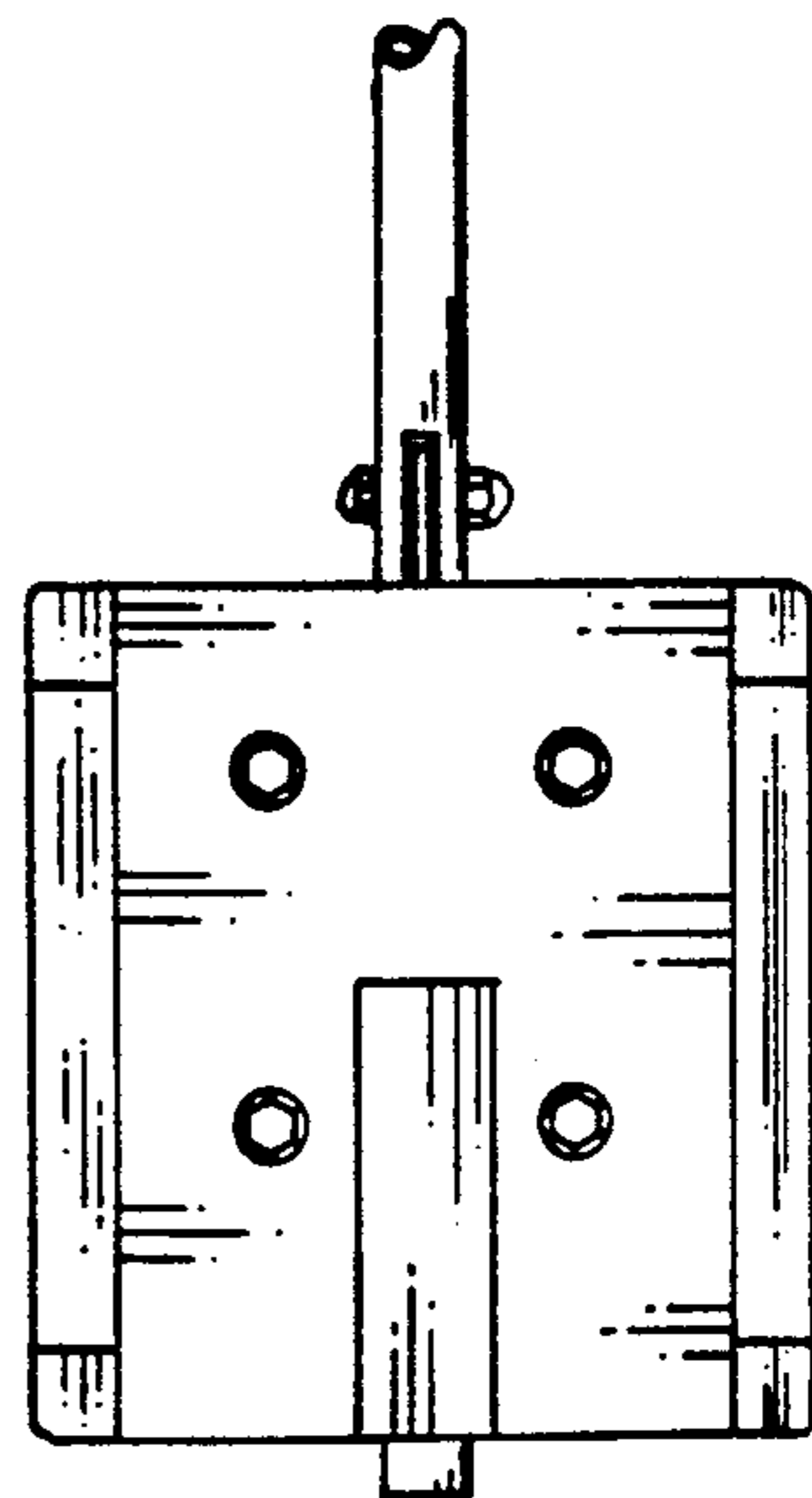


FIG. 7

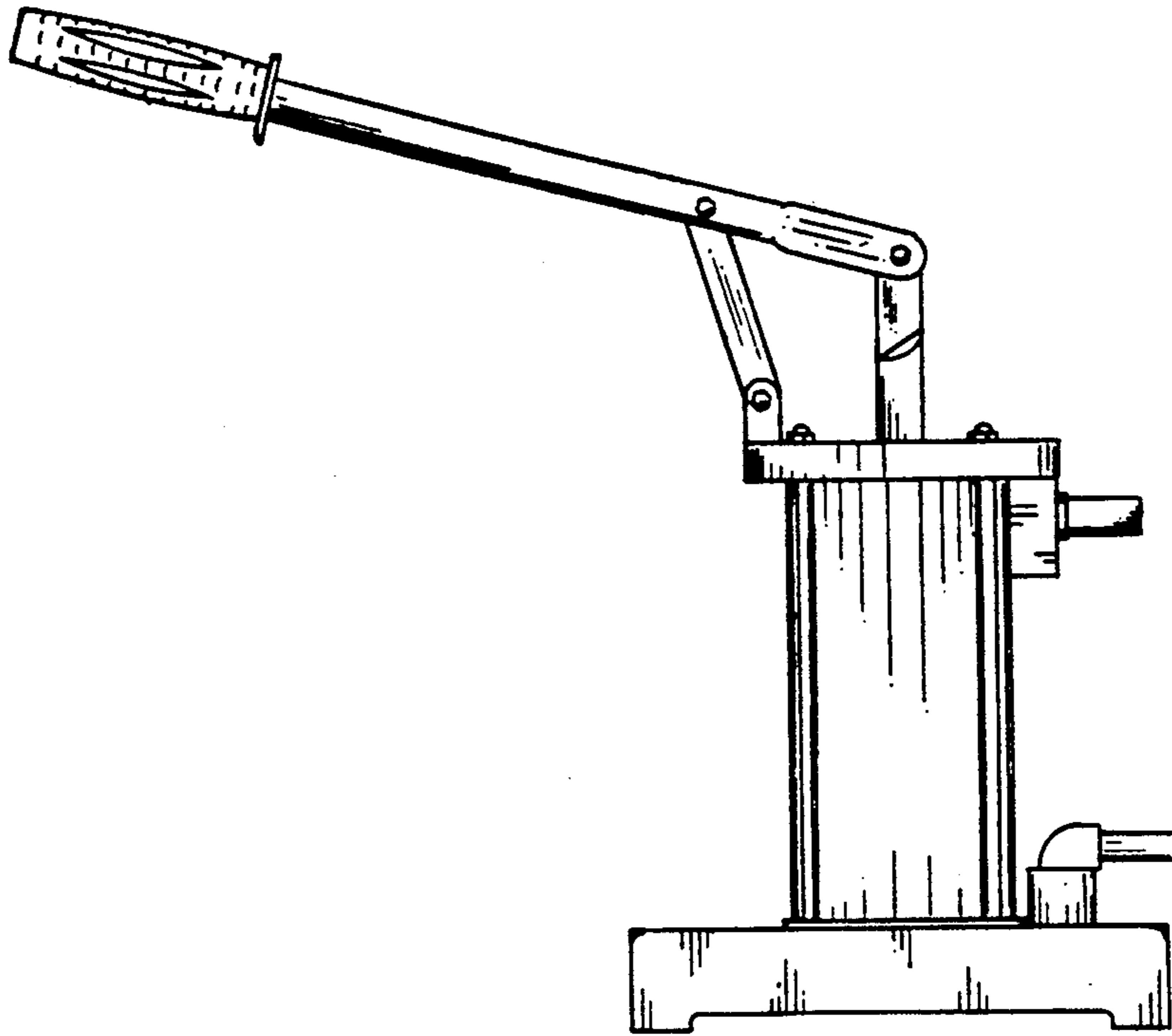


FIG. 8

