



US00D323016S

United States Patent [19]

Vajs

[11] Patent Number: **Des. 323,016**

[45] Date of Patent: **** Jan. 7, 1992**

[54] **COMBINED MOUSE AND RAT TRAP**

[75] Inventor: **Lubomir Vajs, Ontario, Canada**

[73] Assignee: **H. L. International Marketing Corp.,
Downsview, Canada**

[**] Term: **14 Years**

[21] Appl. No.: **421,682**

[22] Filed: **Oct. 16, 1989**

[52] U.S. Cl. **D22/119**

[58] Field of Search **D22/119, 122; 43/58,
43/82, 61, 77, 81, 83, 88, 63**

[56] **References Cited**

U.S. PATENT DOCUMENTS

D. 112,969	1/1939	Uttz, Sr.	D22/119
1,798,541	3/1931	Kleffman	43/83
1,850,534	3/1932	Clausen	43/88

2,529,589	11/1950	Biery	43/61
2,558,549	10/1941	Drake	43/83
4,665,644	5/1987	Vajs et al.	43/82
4,803,799	2/1989	Vajs et al.	43/82

Primary Examiner—A. Hugo Word
Assistant Examiner—Doris V. Coles

[57] **CLAIM**

The ornamental design for a combined mouse and rat trap, as shown and described.

DESCRIPTION

FIG. 1 is a perspective view of a mouse and rat trap showing my new design;
FIG. 2 is a top plan view thereof;
FIG. 3 is a left side elevational view, the right side being a mirror image thereof;
FIG. 4 is a bottom plan view thereof;
FIG. 5 is a front elevational view thereof; and
FIG. 6 is a rear elevational view thereof.

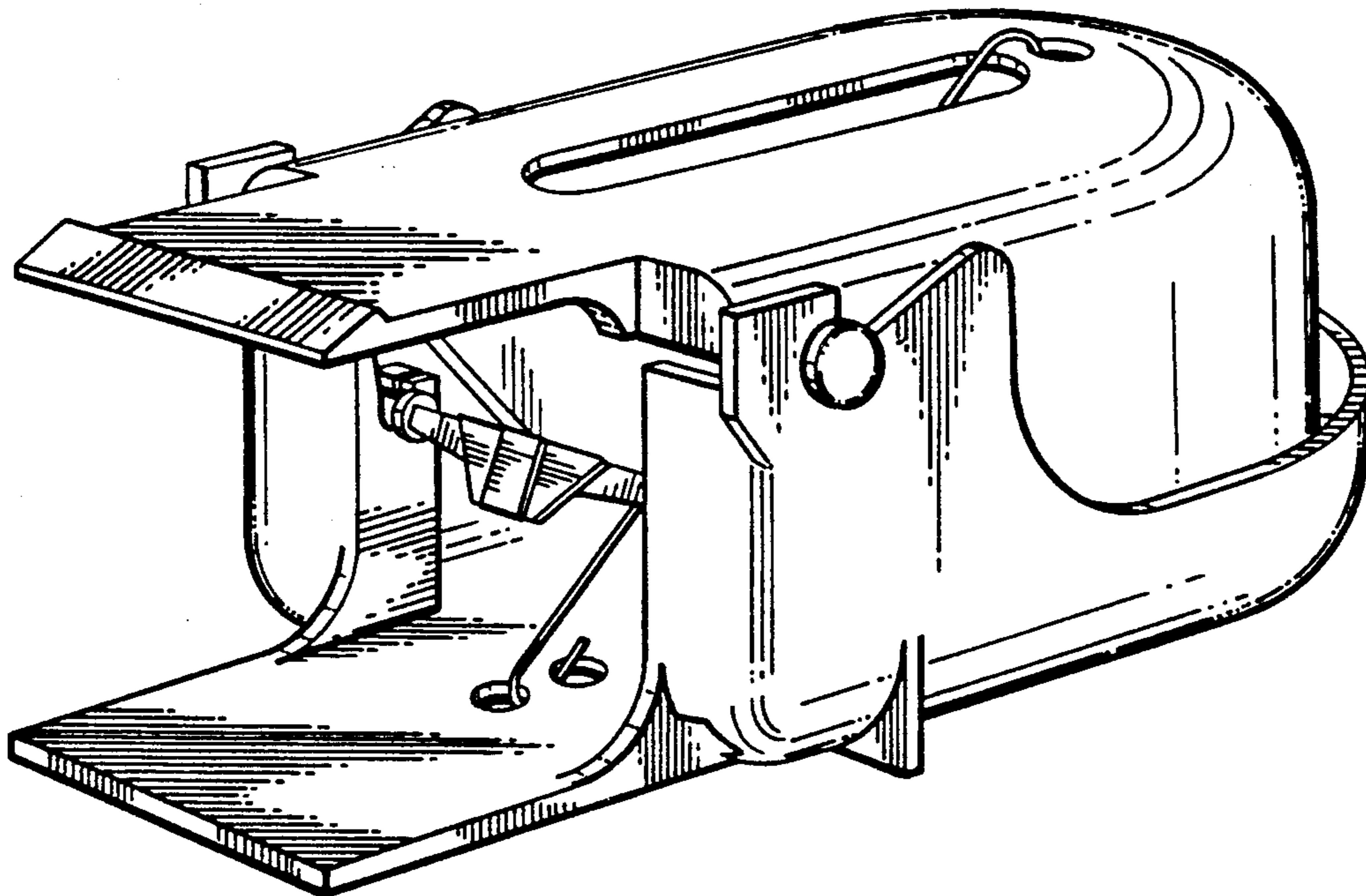


FIG. 1.

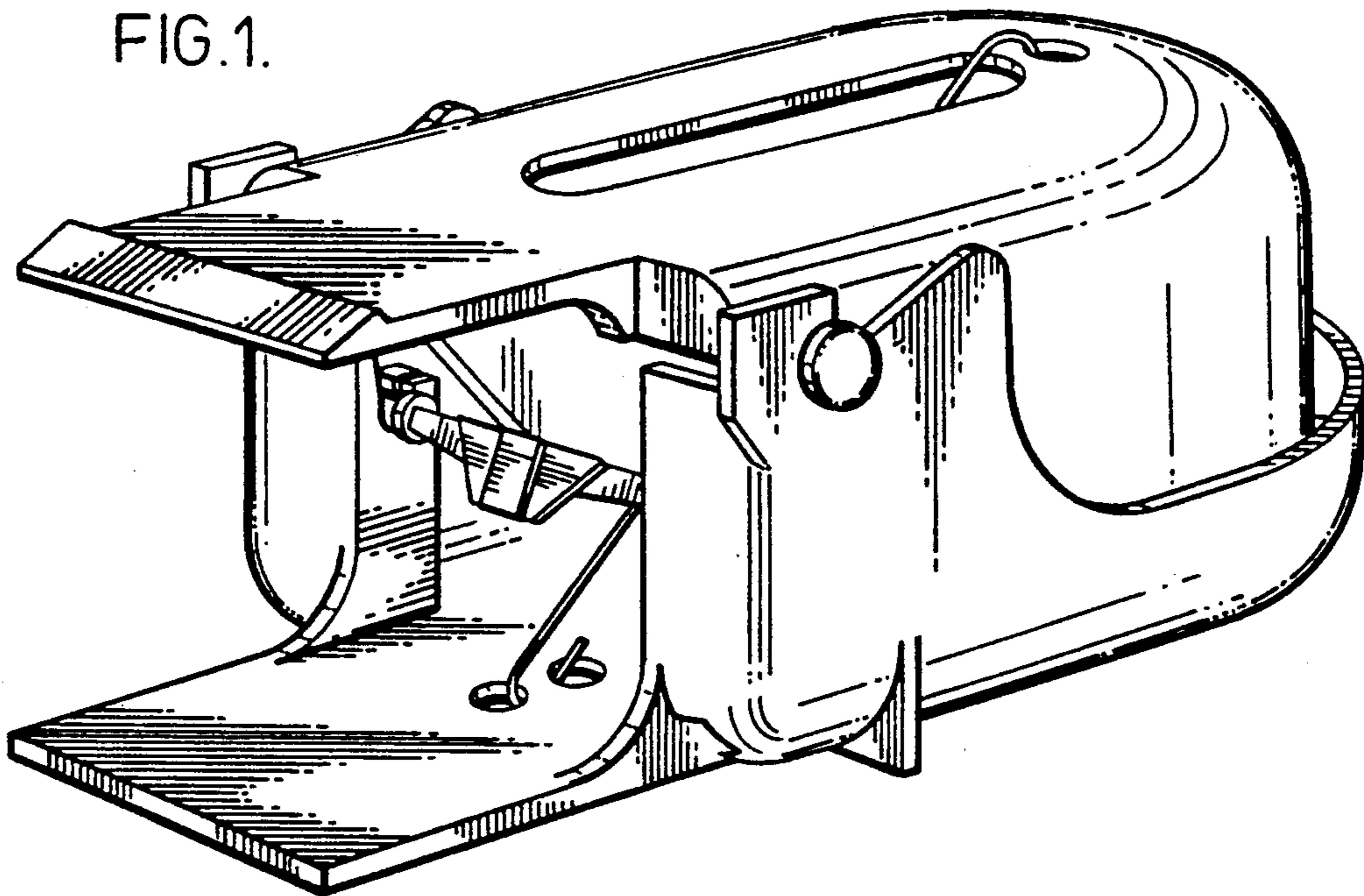


FIG. 2.

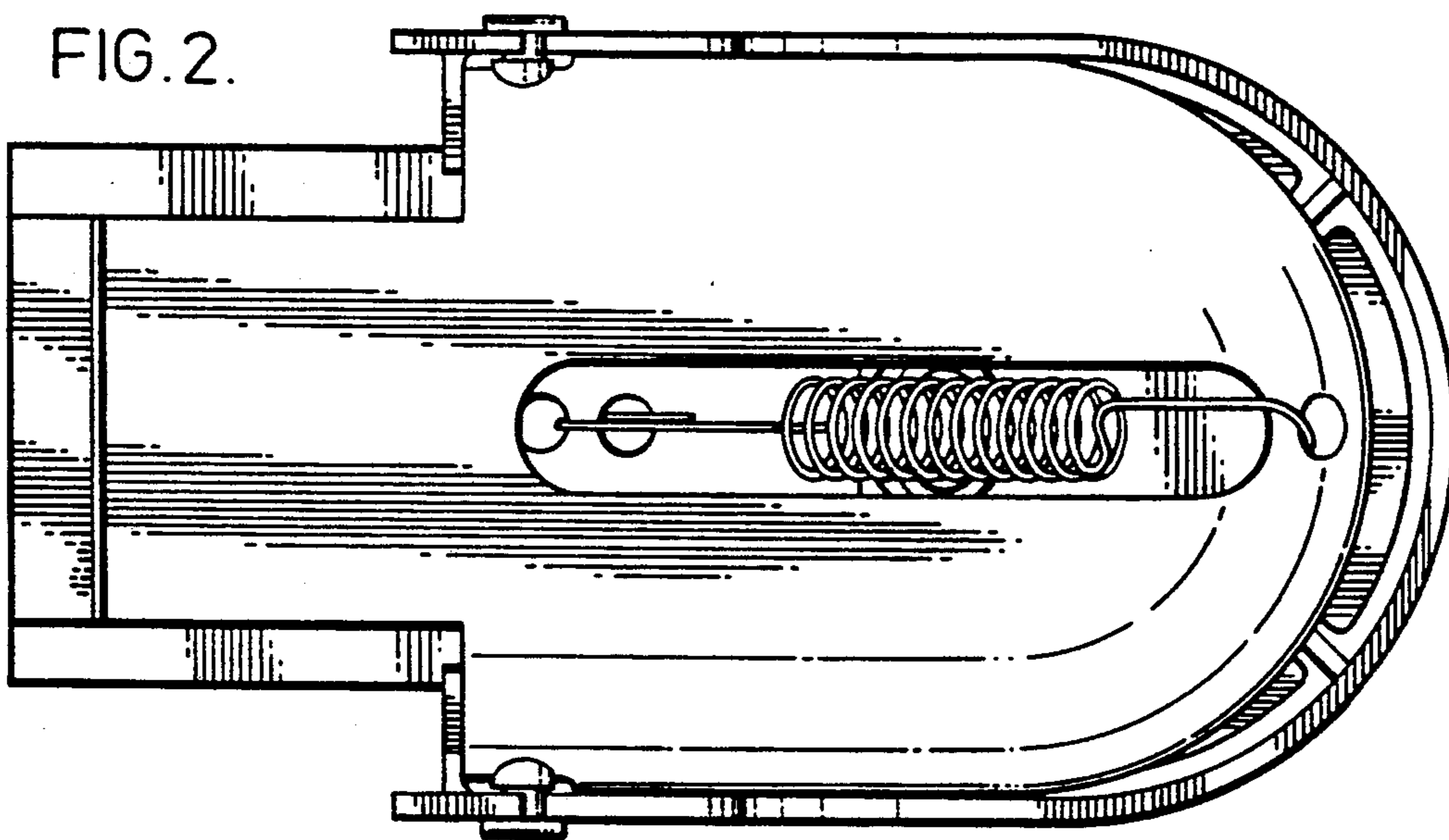


FIG. 3.

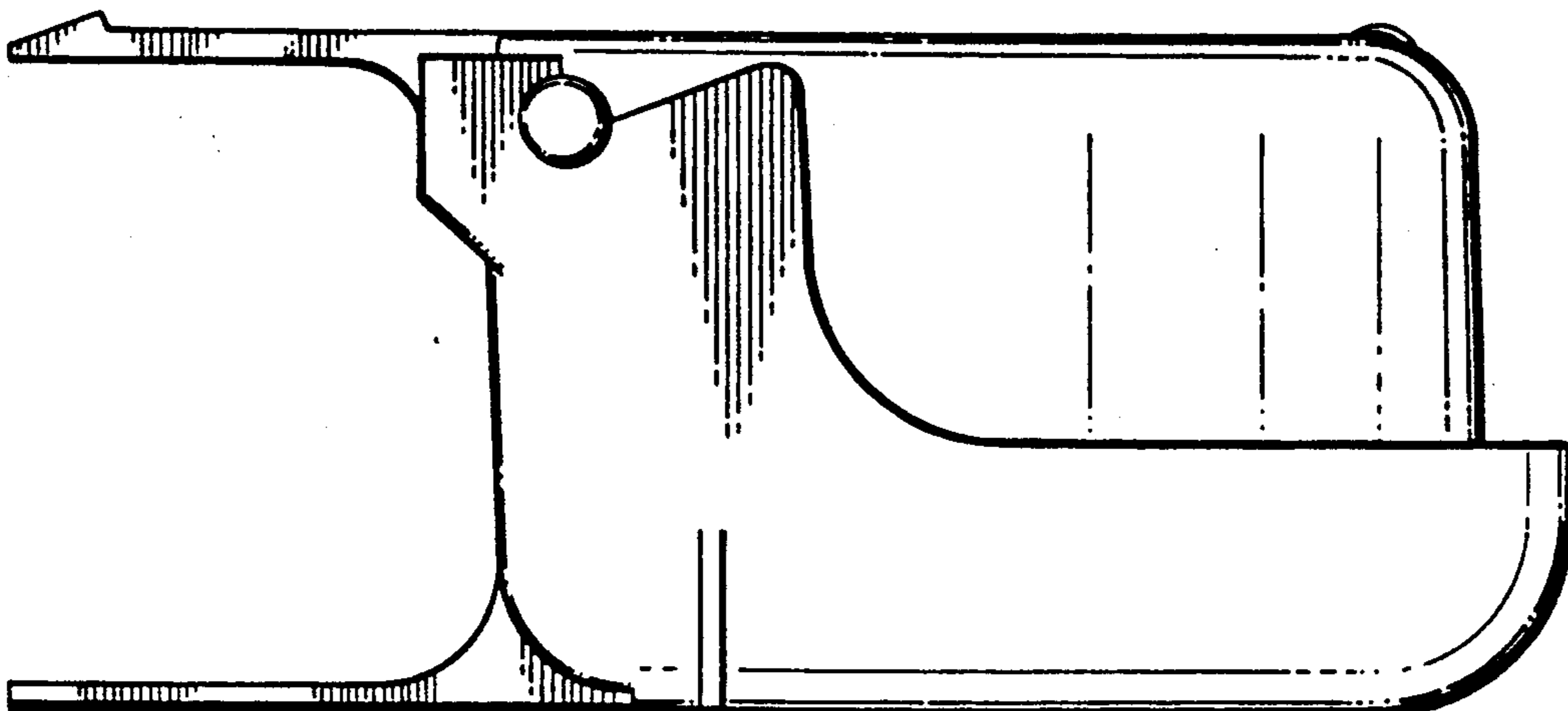


FIG. 4.

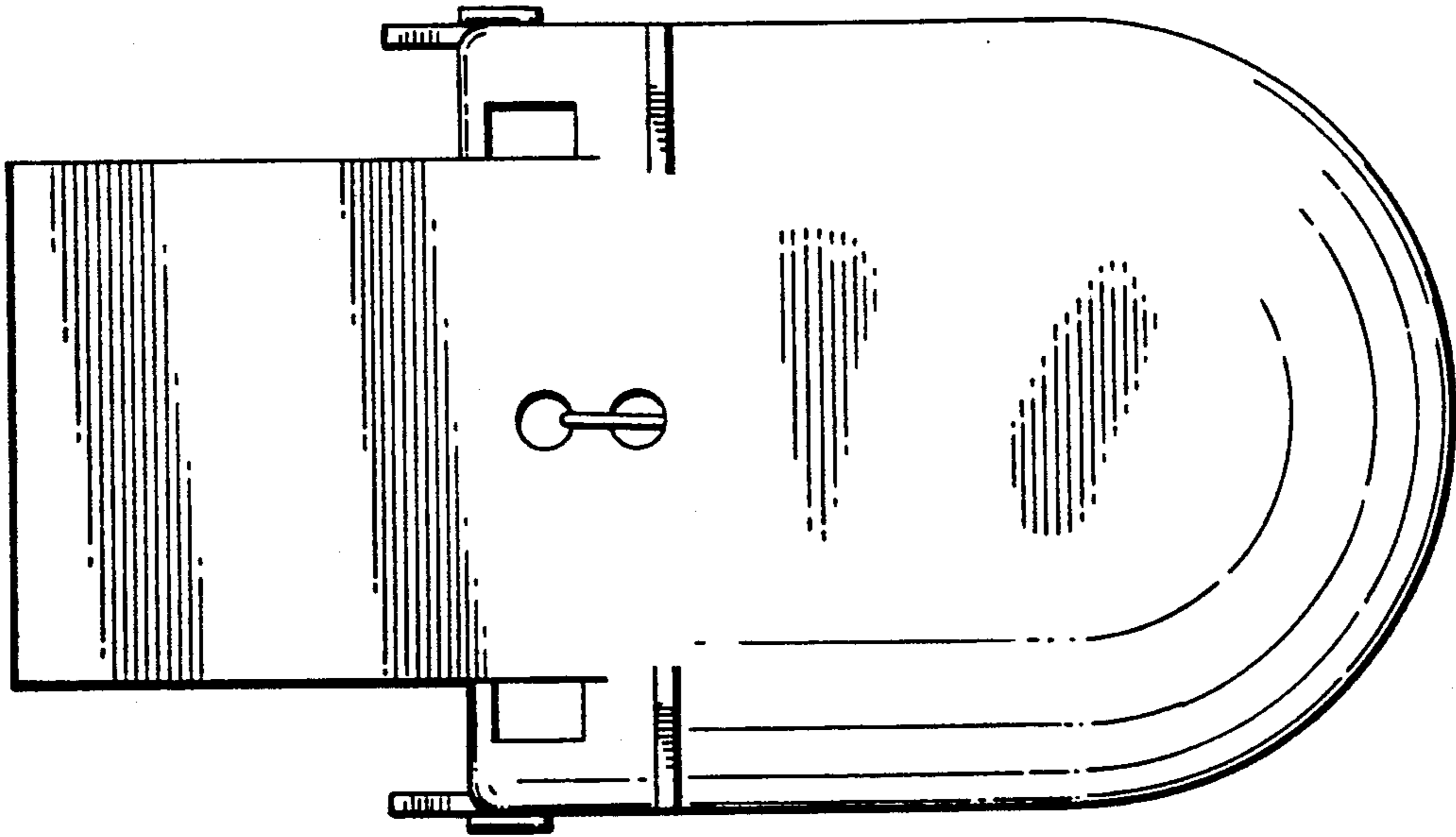


FIG. 5.

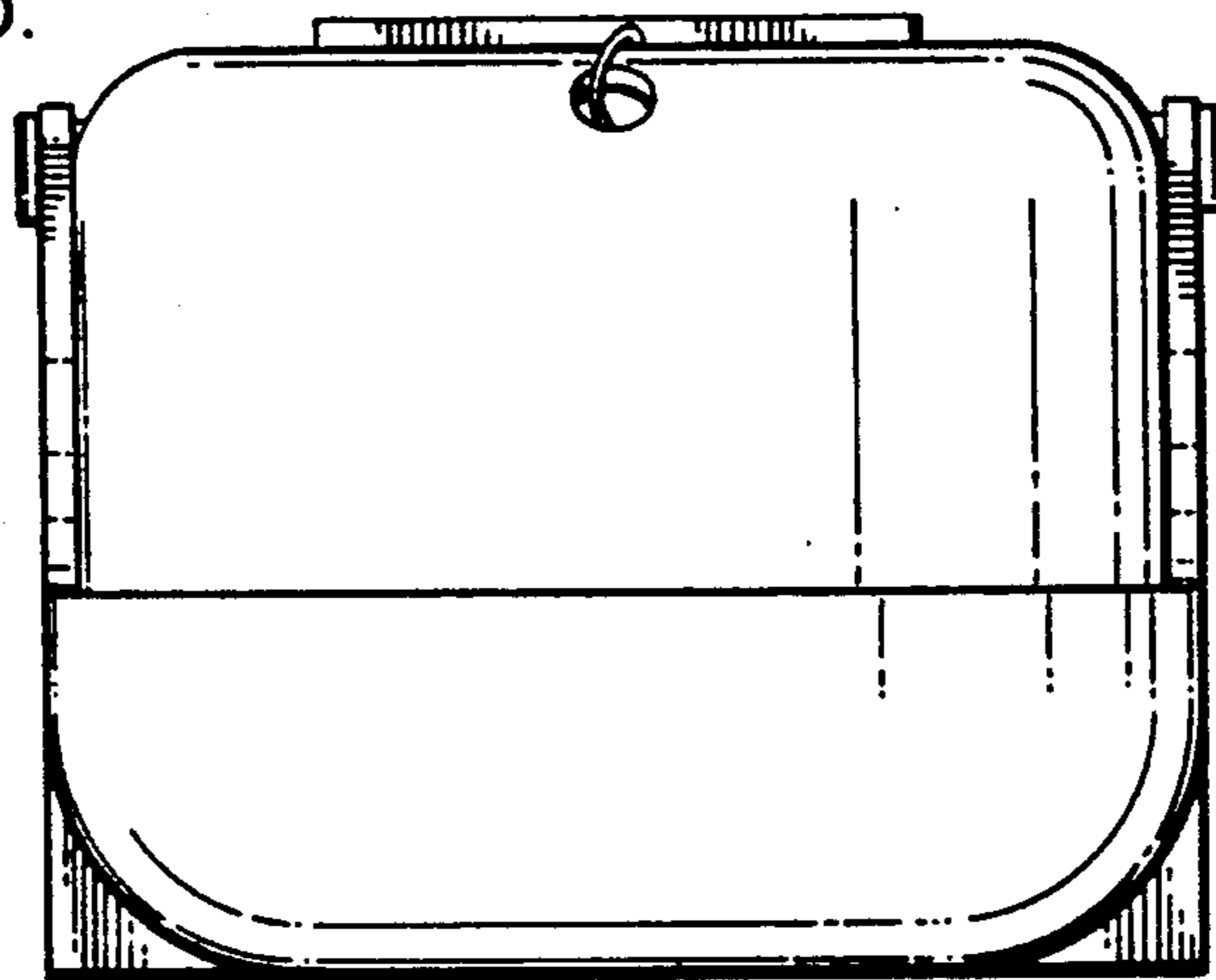


FIG. 6.

