



US00D323008S

United States Patent [19]

[11] Patent Number: **Des. 323,008**

Wang

[45] Date of Patent: **** Jan. 7, 1992**

[54] **CLIMBING EXERCISER OR SIMILAR ARTICLE**

3,970,302	7/1976	McFee	272/130
4,726,581	2/1988	Chang	272/130
4,822,029	4/1989	Sarno	272/69

[76] Inventor: **Shui-Mu Wang, No. 25, Huan-Kung Rd., Yung-Kang Hsiang, Tainan Hsien, Taiwan**

Primary Examiner—Charles A. Rademaker
Attorney, Agent, or Firm—Marshall & Melhorn

[**] Term: **14 Years**

[57] **CLAIM**

[21] Appl. No.: **511,384**

The ornamental design for climbing exerciser or similar article, as shown and described.

[22] Filed: **Apr. 19, 1990**

DESCRIPTION

[52] U.S. Cl. **D21/191**

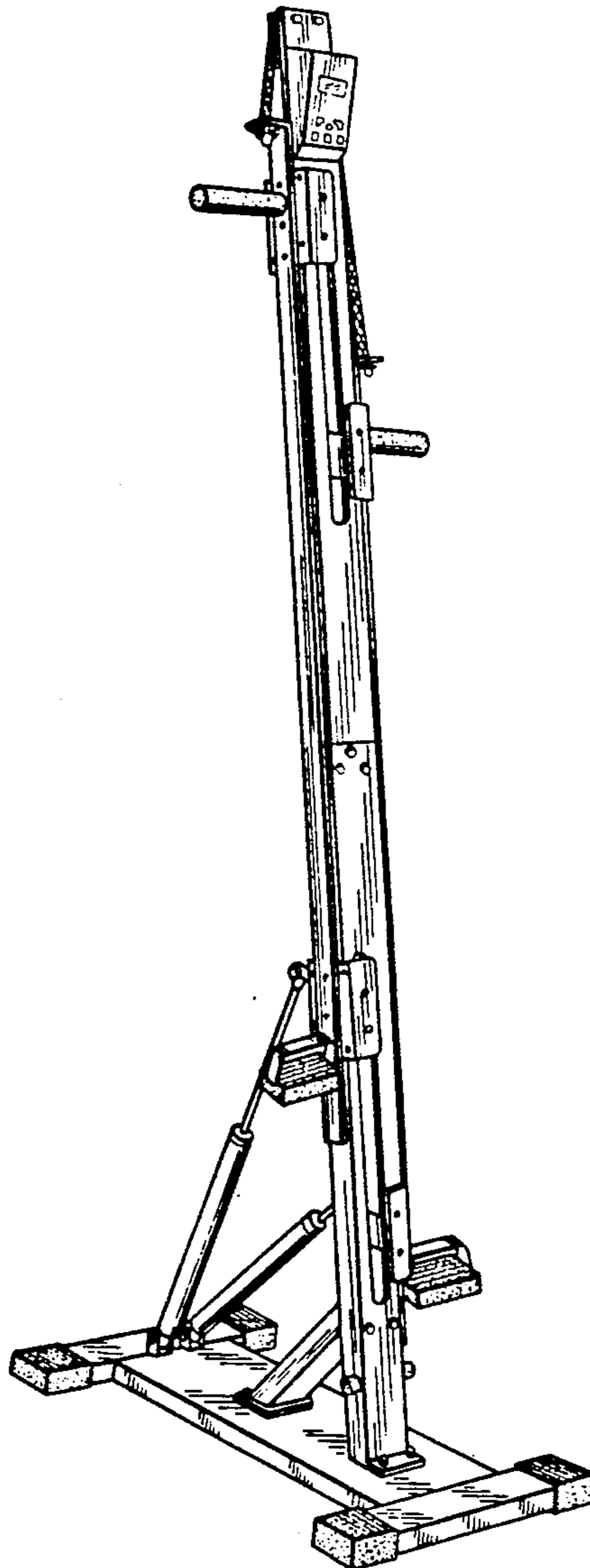
[58] Field of Search **D21/191-199;**
272/69, 130, 70, 96, 100, 141, 145, 144

FIG. 1 is a front perspective view of a climbing exerciser or similar article showing my new design;
FIG. 2 is a front elevational view thereof;
FIG. 3 is a rear elevational view thereof;
FIG. 4 is a left side elevational view thereof;
FIG. 5 is a right side elevational view thereof;
FIG. 6 is a top plan view thereof; and,
FIG. 7 is a bottom plan view thereof.

[56] **References Cited**

U.S. PATENT DOCUMENTS

D. 292,728	11/1987	Wilkinson	D21/191
D. 302,194	7/1989	Worthington	D21/191



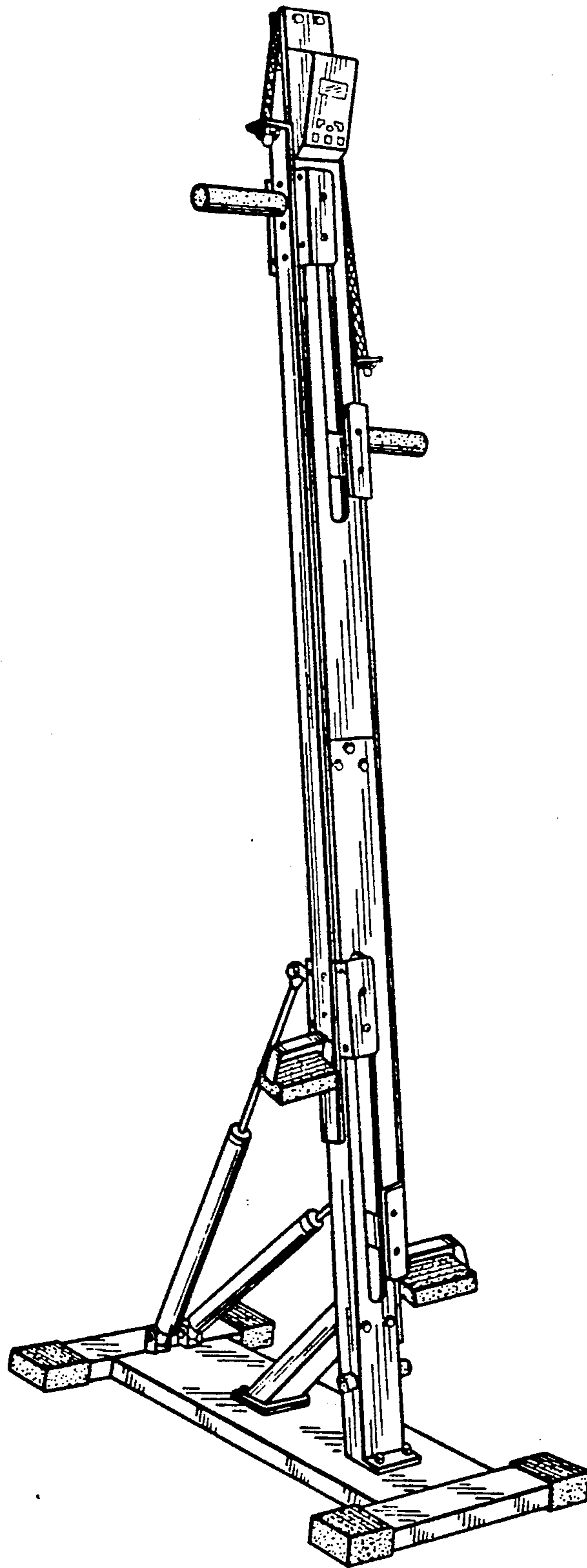


FIG. 1

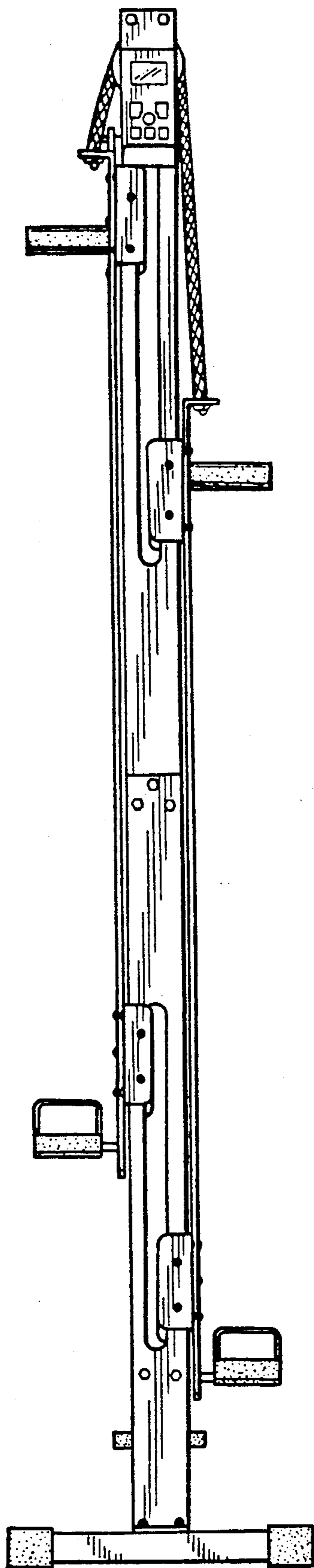


FIG. 2

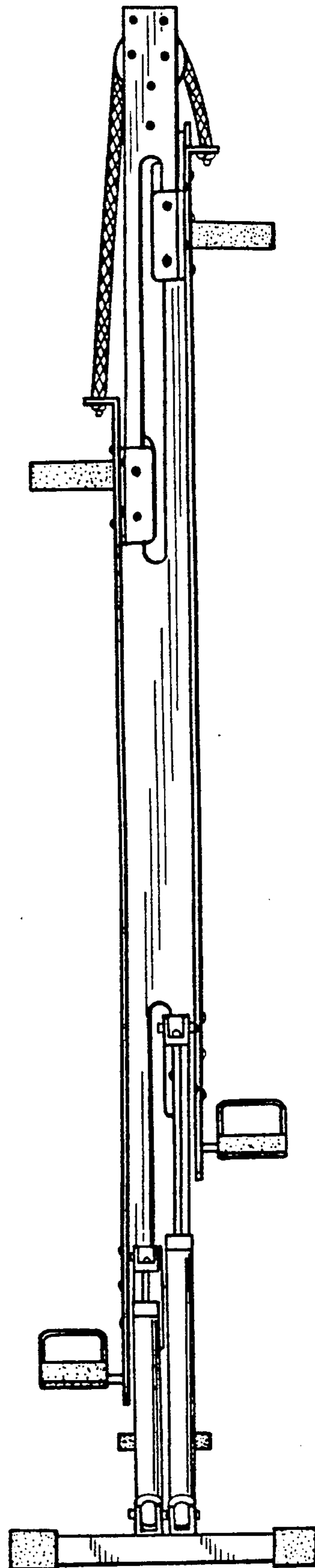


FIG. 3

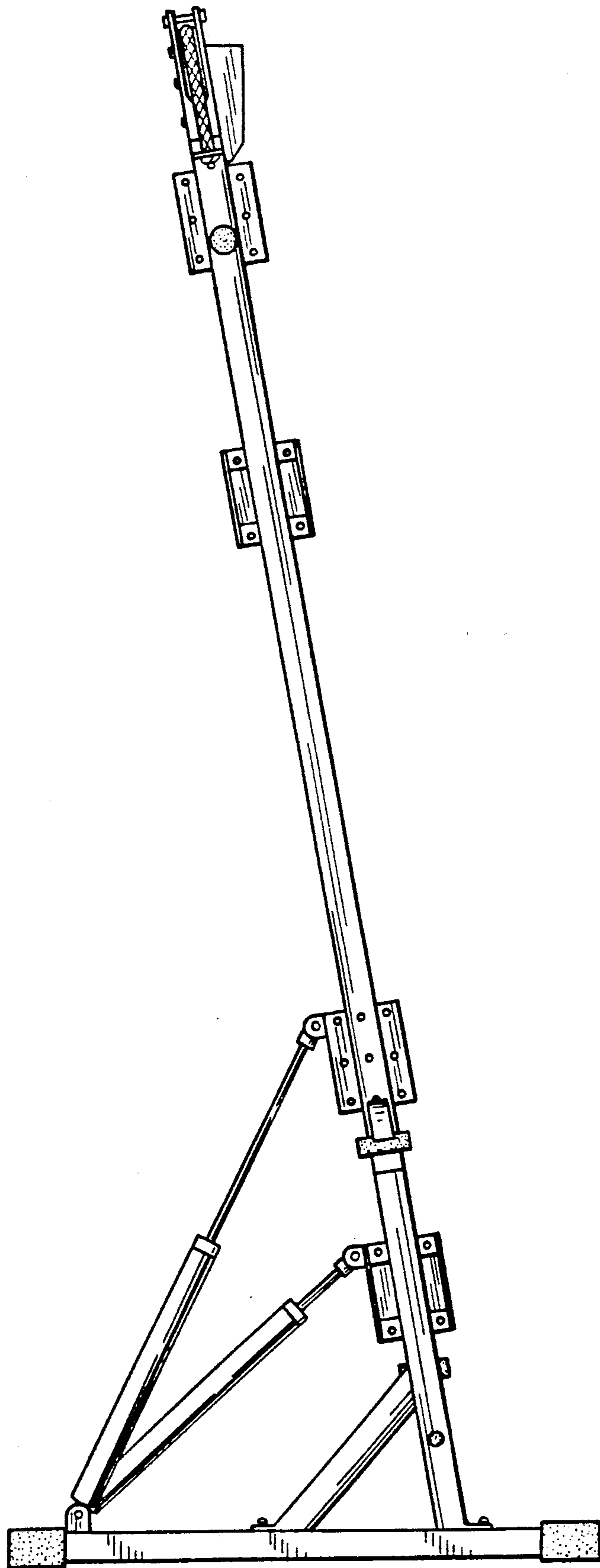


FIG. 4

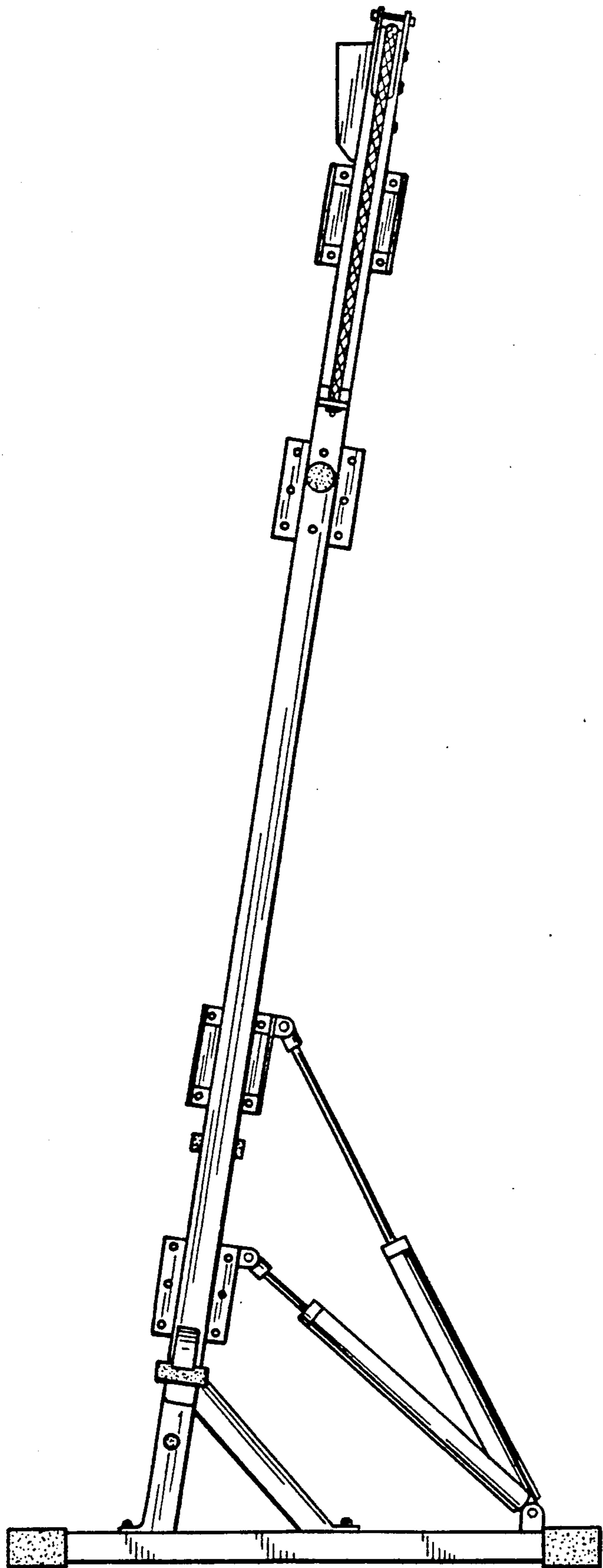


FIG. 5

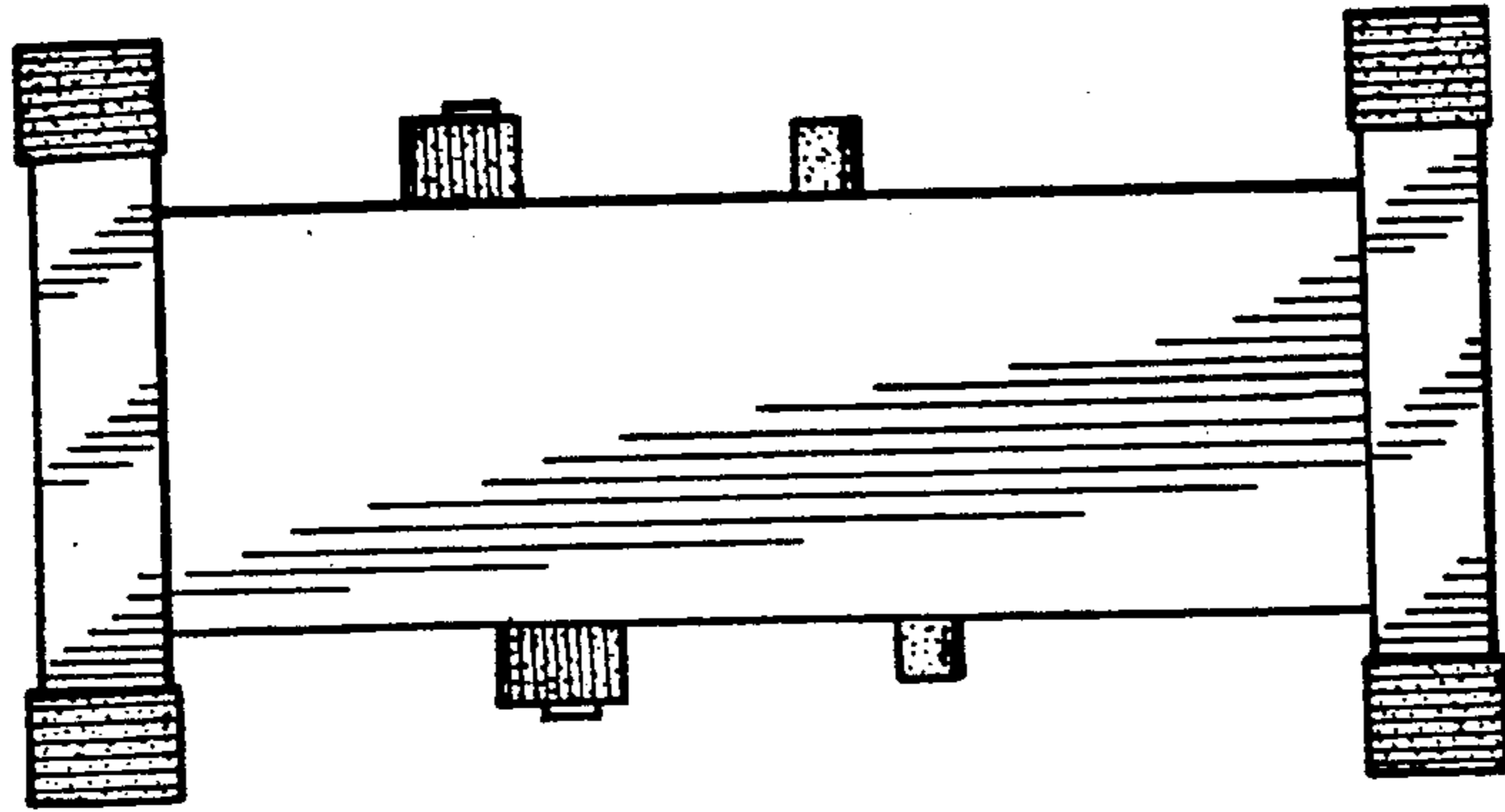


FIG. 7

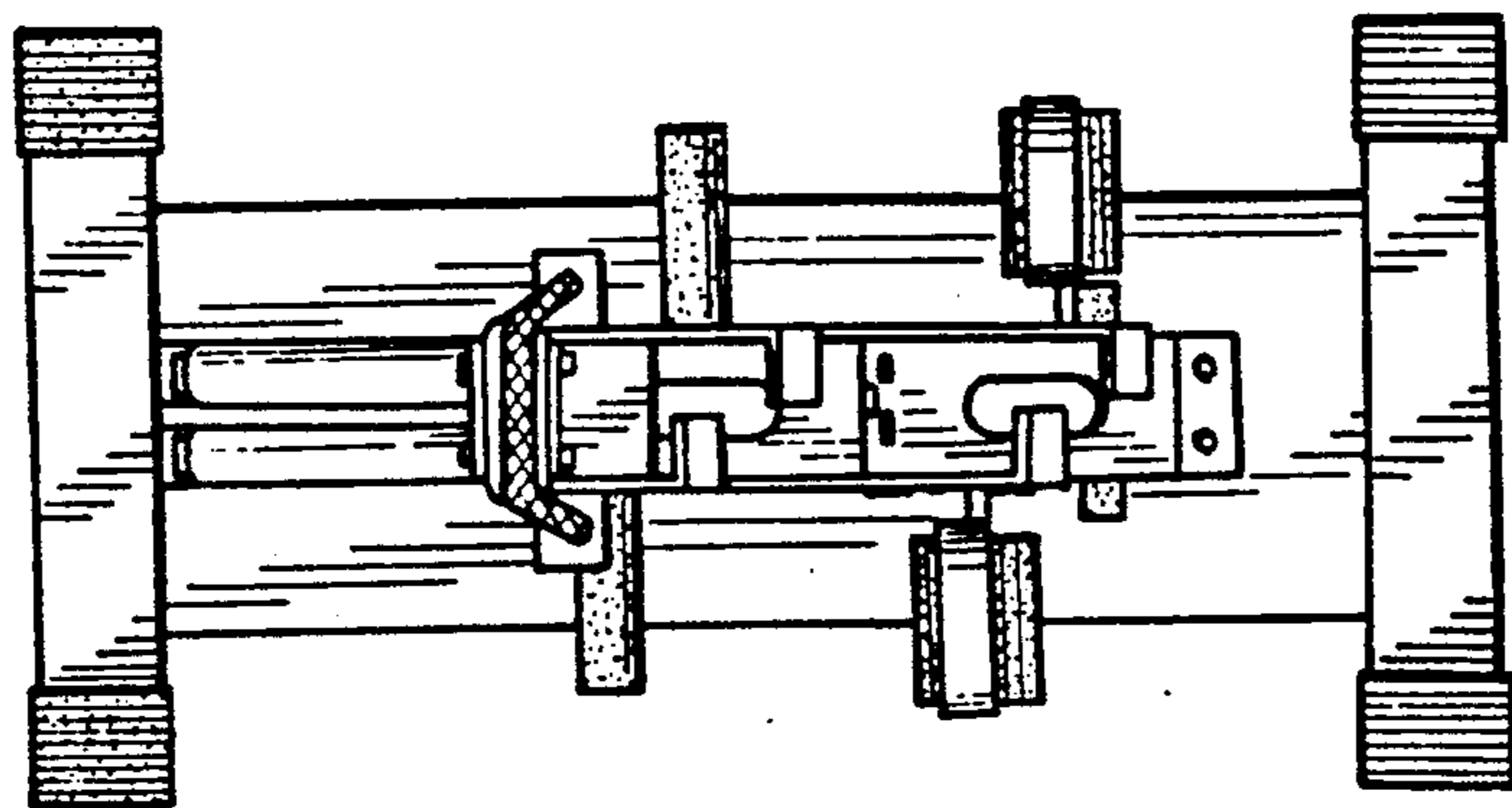


FIG. 6