



US00D323007S

United States Patent [19]

Chantry

[11] Patent Number: **Des. 323,007**

[45] Date of Patent: **** Jan. 7, 1992**

[54] **FINGER-HELD TRAINING DEVICE FOR INSTRUCTION OF SNOWBOARD MANEUVERING**

[76] Inventor: **Michael A. Chantry, 702 Chapel La., Tahoe City, Calif. 95730**

[**] Term: **14 Years**

[21] Appl. No.: **338,776**

[22] Filed: **Apr. 17, 1989**

[52] U.S. Cl. **D21/191**

[58] Field of Search **D21/191, 230, 229; 280/601, 602, 607-611, 11.14, 842; 441/68, 70; 434/252, 253; 272/70.3**

[56] **References Cited**

U.S. PATENT DOCUMENTS

- D. 287,746 1/1987 Whittaker D21/229
- D. 308,711 6/1990 Katz D21/229
- 2,964,315 12/1960 Dinning 434/253 X

- 3,408,067 10/1968 Armstrong 434/253 X
- 4,296,511 10/1981 Wright 441/68
- 4,353,573 10/1982 Morgan 280/601
- 4,775,344 10/1988 Anderson 441/68
- 4,867,470 9/1989 Clark 280/611

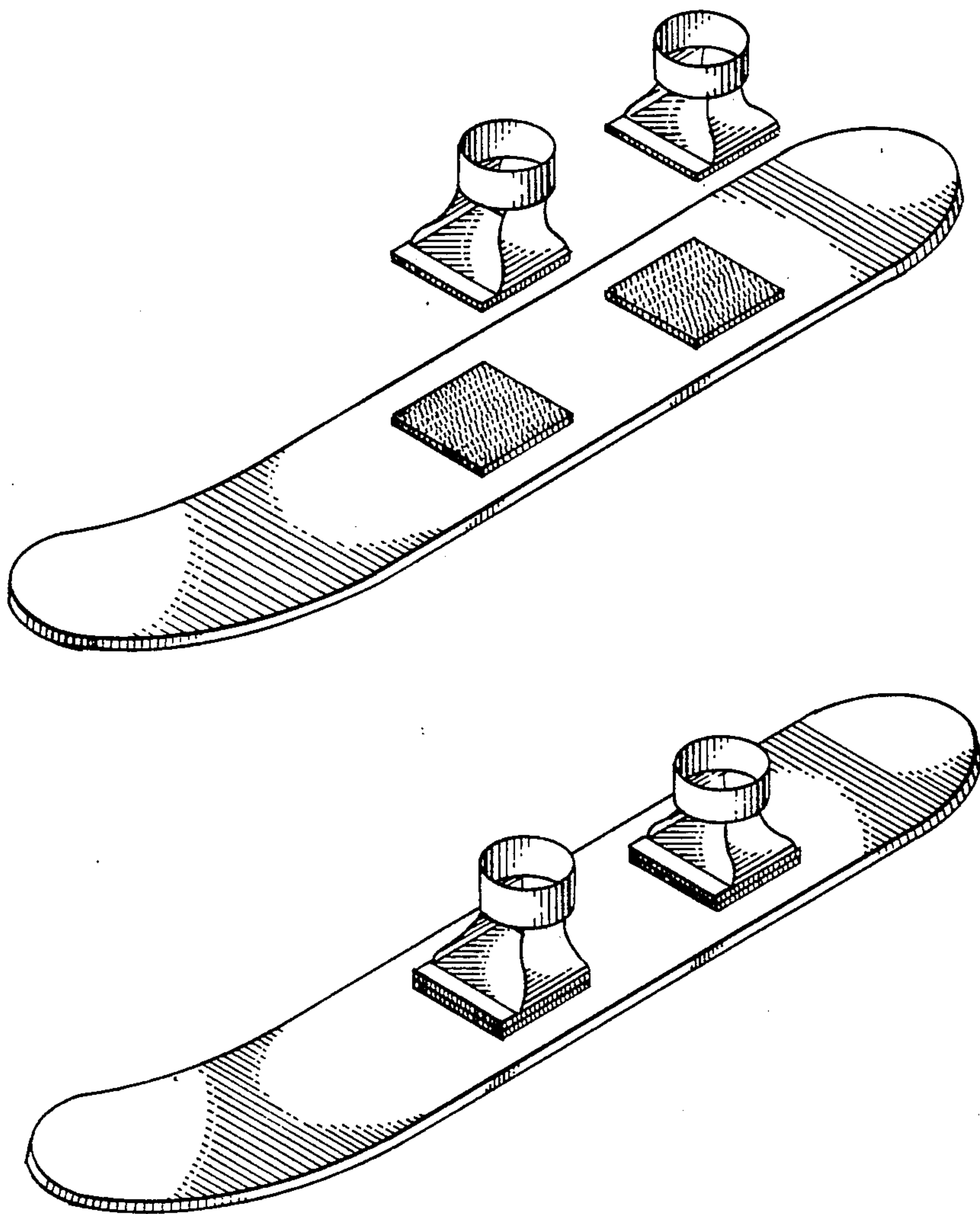
Primary Examiner—Bernard Ansher
Assistant Examiner—Dominic Simone
Attorney, Agent, or Firm—Roger A. Marrs

[57] **CLAIM**

The ornamental design for finger-held training device for instruction of snowboard maneuvering, as shown.

DESCRIPTION

FIG. 1 is a front perspective view showing a finger-held training device for instruction of snowboard maneuvering showing my new design;
 FIG. 2 is a top plan view thereof; and
 FIG. 3 is a side elevational view thereof;
 FIG. 4 is a perspective view showing the assembled article;
 FIG. 5 is a bottom view thereof.



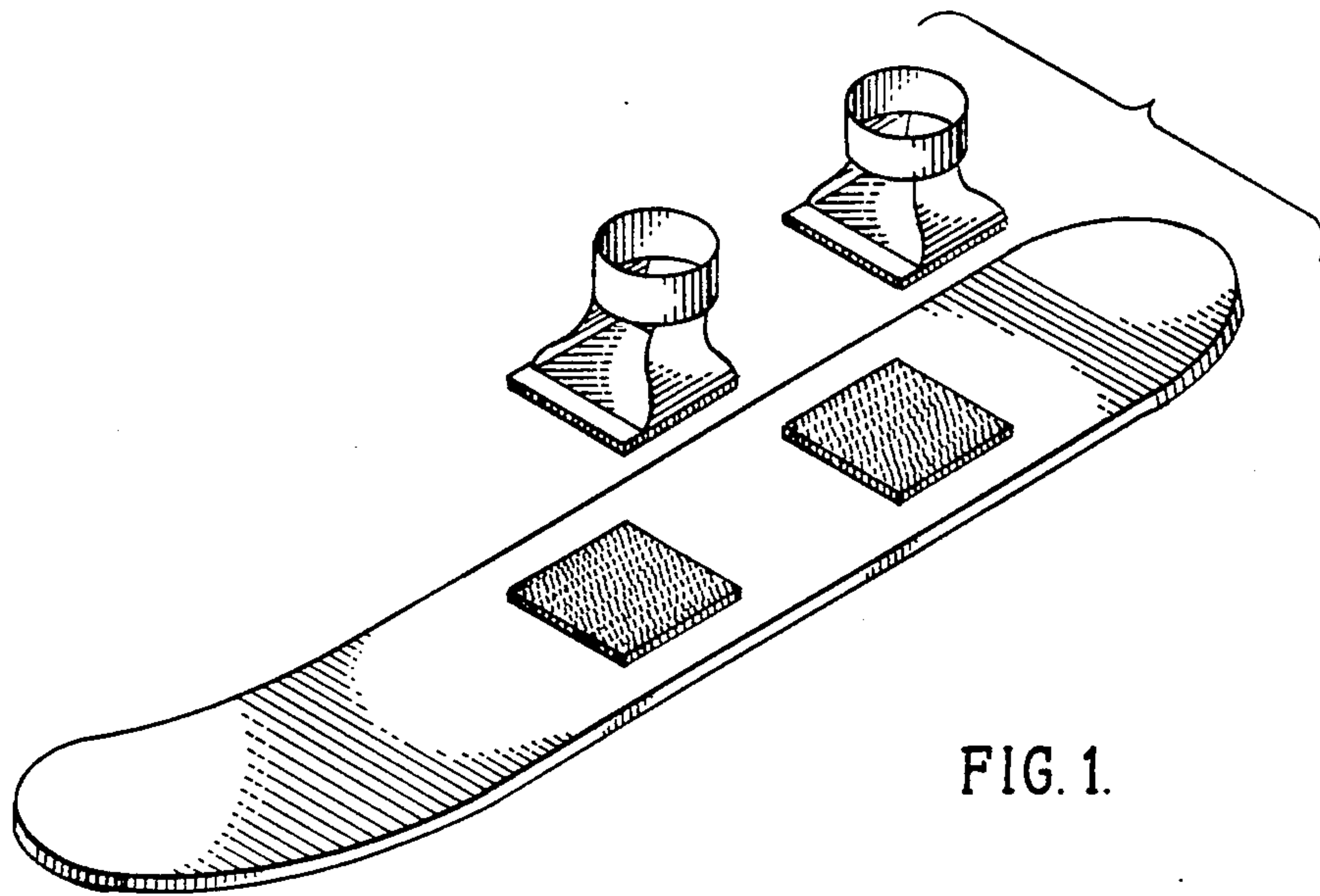


FIG. 1.

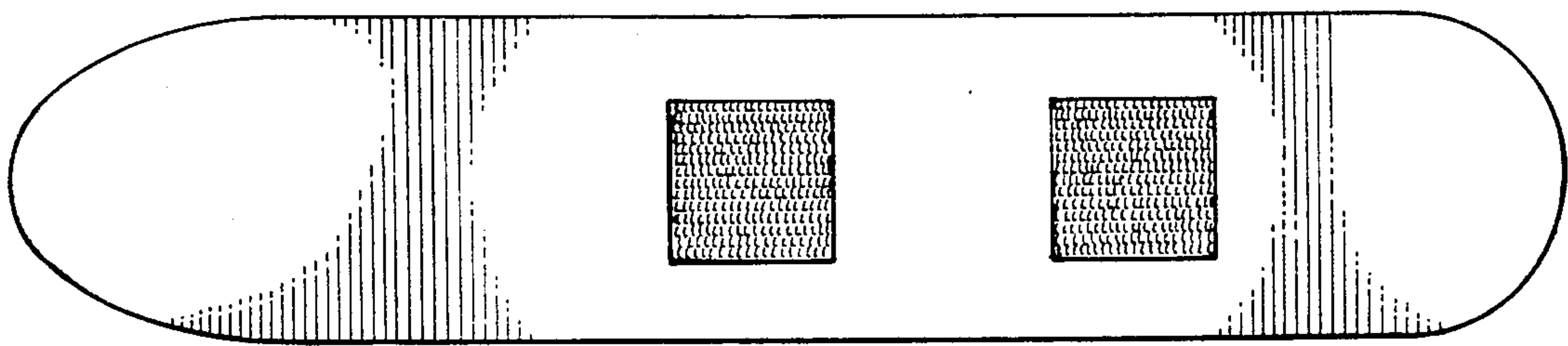


FIG. 2.

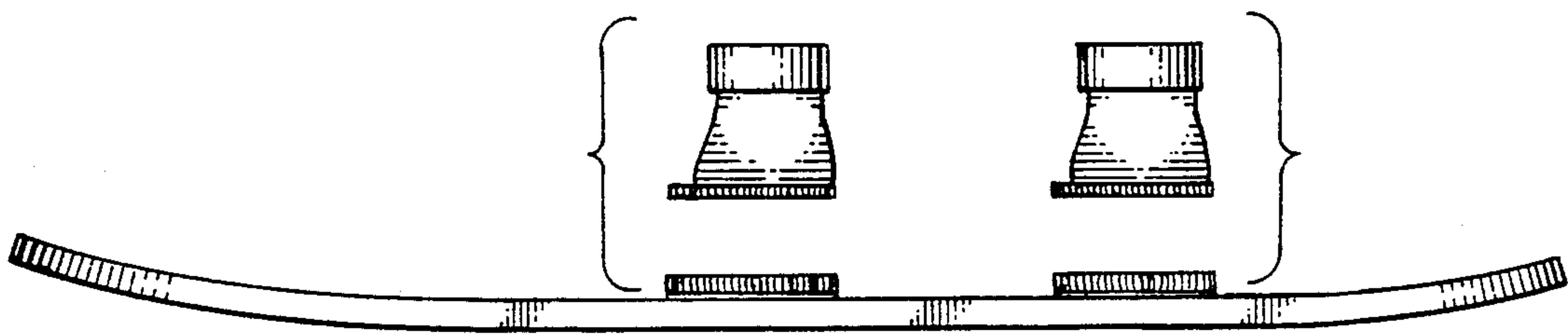


FIG. 3.

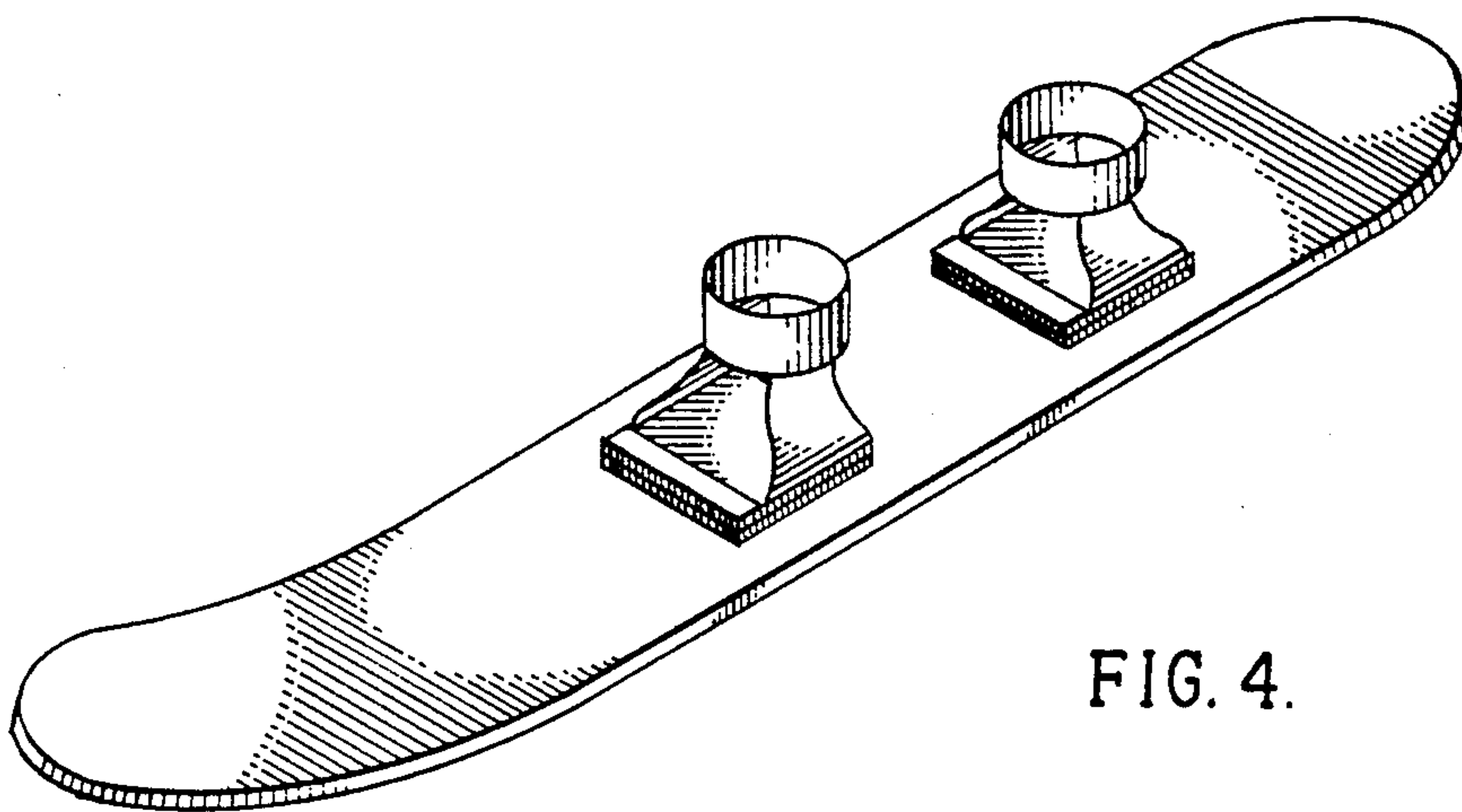


FIG. 4.

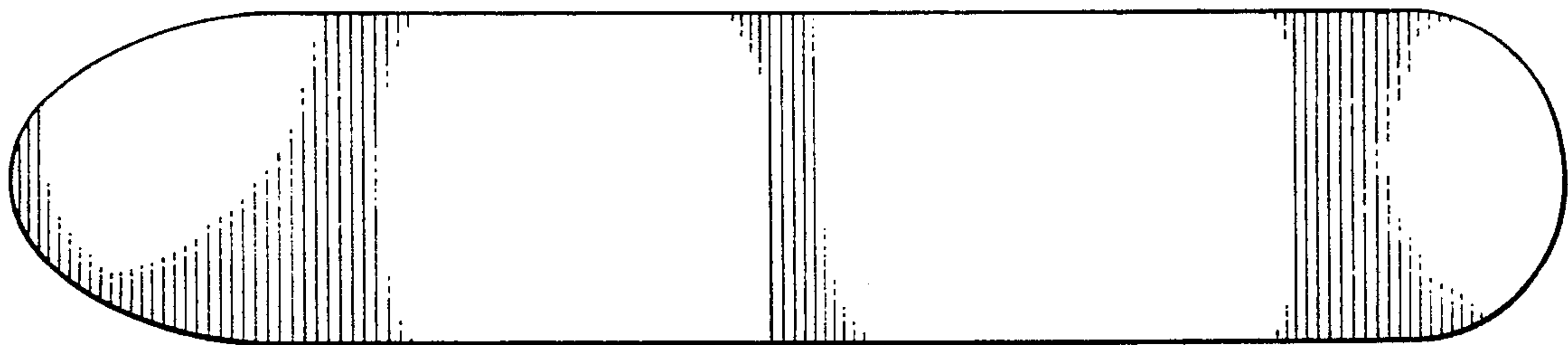


FIG. 5.