



US00D323003S

United States Patent [19]

Plischke

[11] Patent Number: **Des. 323,003**

[45] Date of Patent: **** Jan. 7, 1992**

[54] **ROTARY KITE**

[76] Inventor: **Joseph D. Plischke**, 1715 Arundel,
Florissant, Mo. 63033

[**] Term: **14 Years**

[21] Appl. No.: **219,705**

[22] Filed: **Jul. 18, 1988**

[52] U.S. Cl. **D21/88**

[58] Field of Search **D21/88, 87, 89, 90,**
D21/93; 244/153 R, 153 A, 155 R

[56] **References Cited**

U.S. PATENT DOCUMENTS

- D. 160,910 11/1950 Welford D21/88
- D. 191,752 11/1961 Dunn D21/88
- D. 232,572 8/1974 Torsak D21/88
- 3,079,115 2/1963 Edwards, Jr. et al. D21/88
- 4,012,017 3/1977 Springston et al. 244/153 A

4,121,794 10/1978 Lemelson 244/153 A

FOREIGN PATENT DOCUMENTS

953276 3/1964 United Kingdom 244/153 A

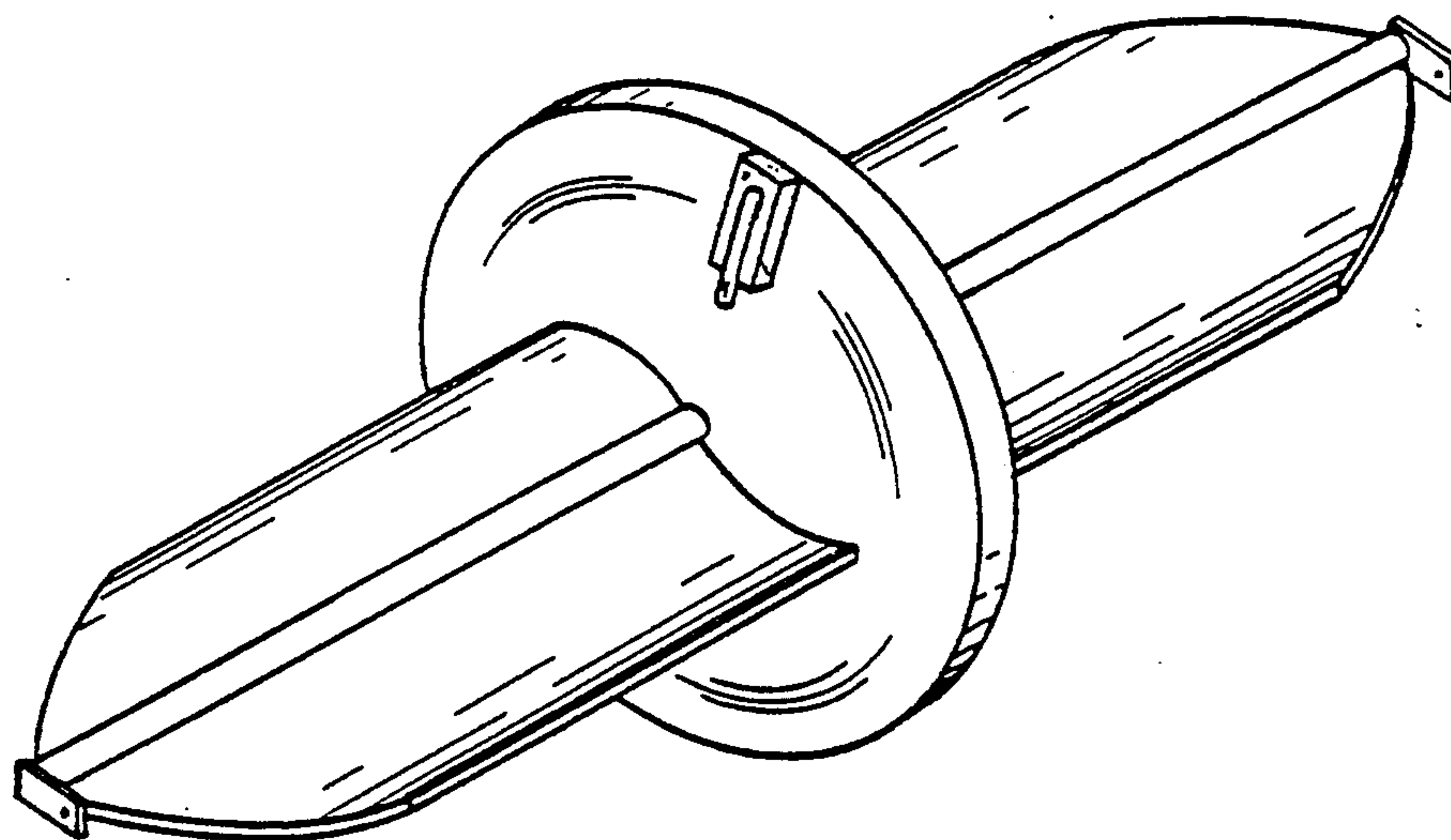
Primary Examiner—Charles A. Rademaker
Attorney, Agent, or Firm—Don W. Weber

[57] CLAIM

The ornamental design for a rotary kite, as shown and described.

DESCRIPTION

FIG. 1 is a perspective view of a rotary kite showing my new design;
 FIG. 2 is a top plan view thereof, shown on an enlarged scale;
 FIG. 3 is a front elevational view thereof, the side opposite being a mirror image; and,
 FIG. 4 is a side elevational view thereof, the side opposite being a mirror image.



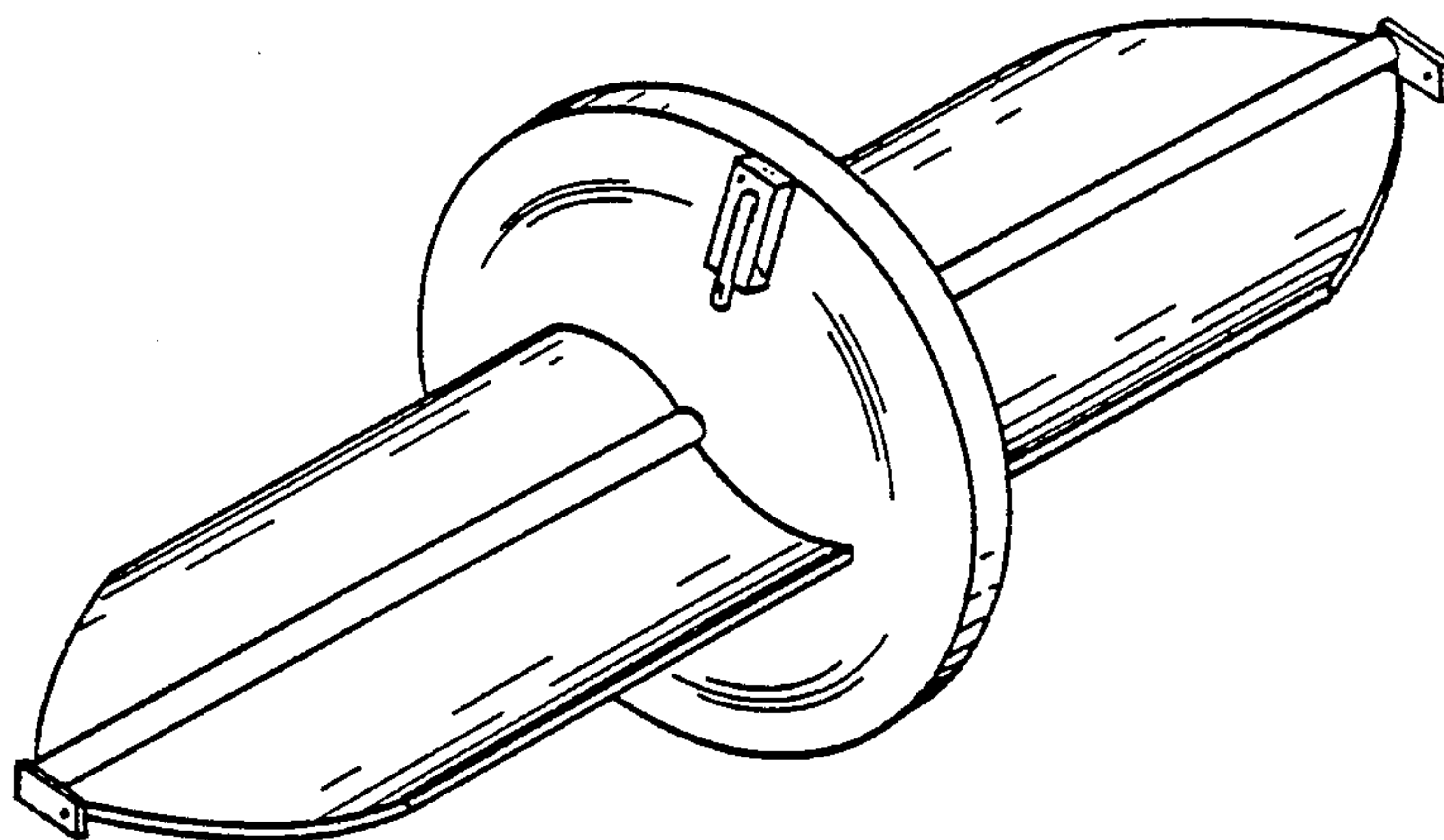


Fig. 1

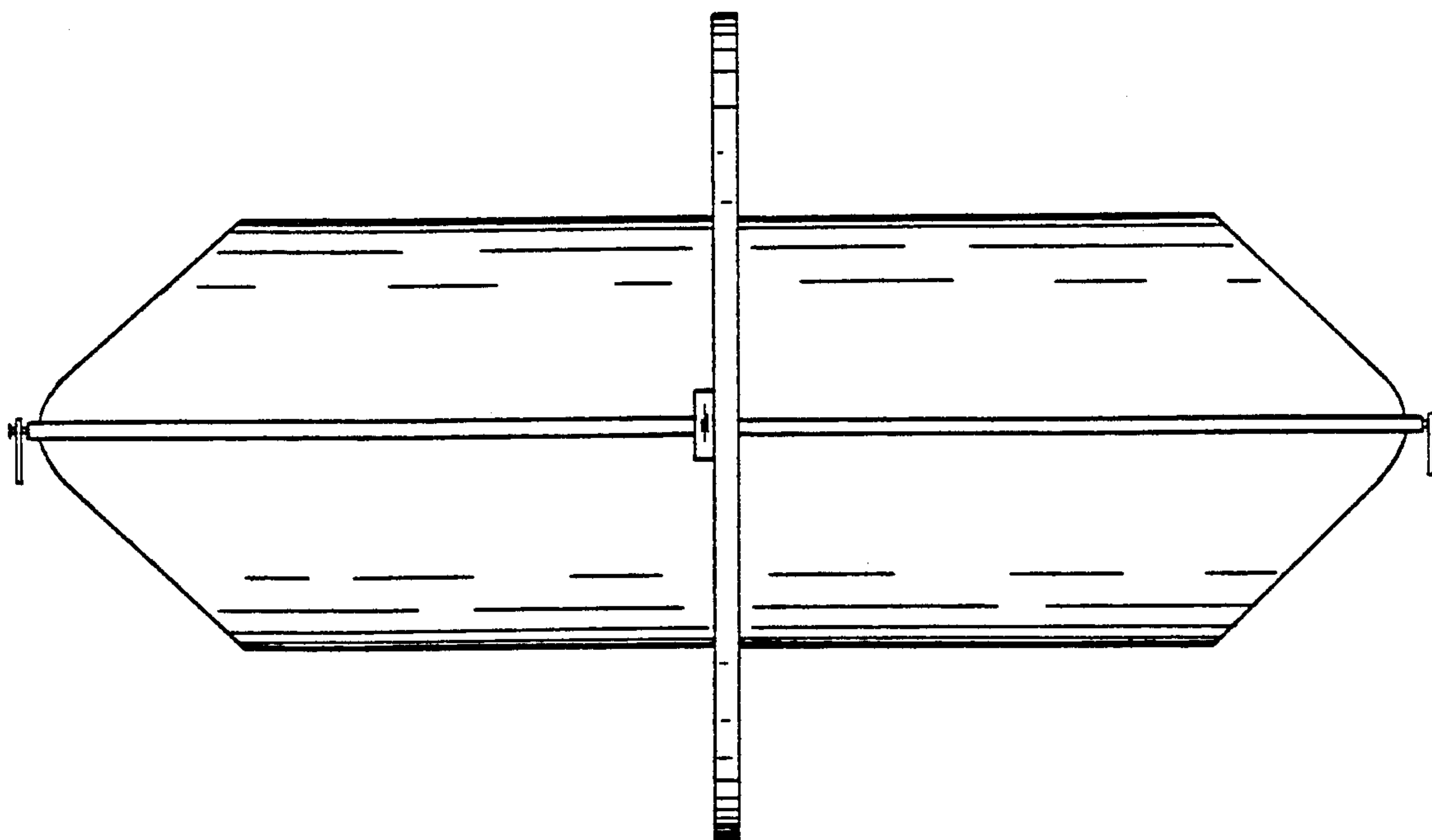


Fig. 2

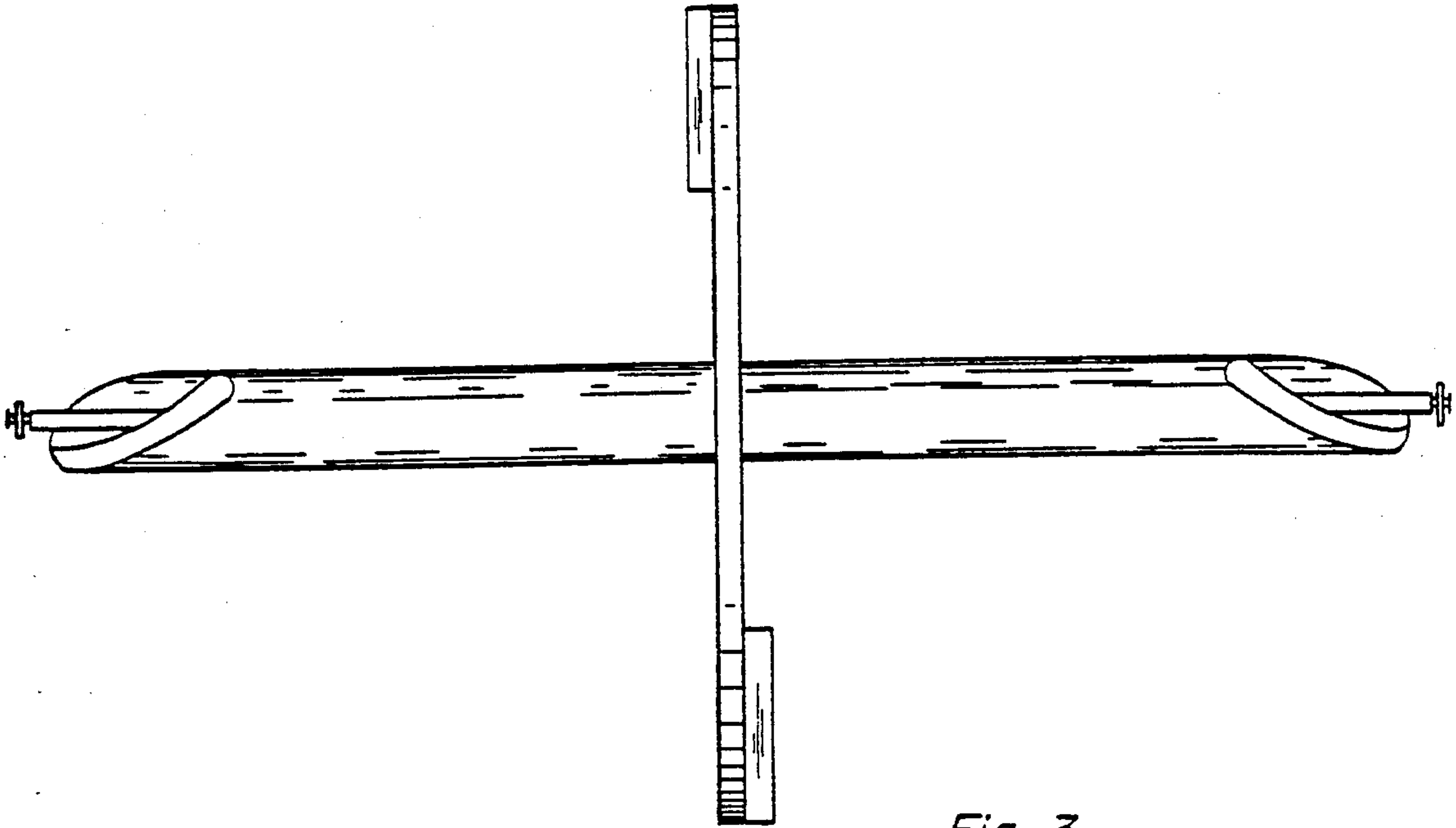


Fig. 3

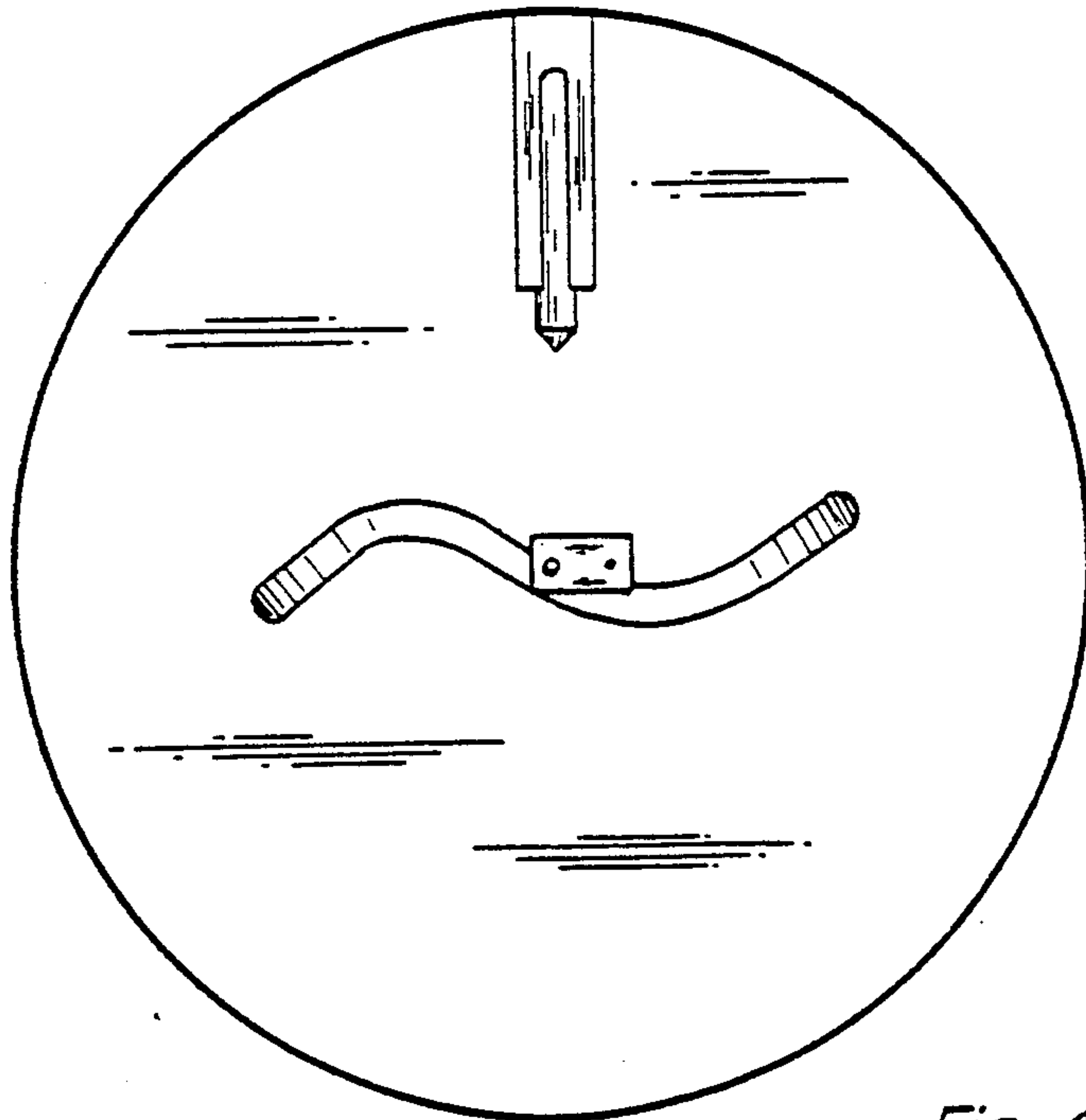


Fig. 4