



US00D323001S

United States Patent [19]
Atwell

[11] **Patent Number: Des. 323,001**

[45] **Date of Patent: ** Jan. 7, 1992**

[54] **AERIAL TOY**

[76] **Inventor: Blair Atwell, 1064 E. 2nd St.,
Longbeach, Calif. 90802**

[**] **Term: 14 Years**

[21] **Appl. No.: 470,041**

[22] **Filed: Jan. 24, 1990**

[52] **U.S. Cl. D21/86**

[58] **Field of Search D21/59, 86, 82; 446/46,
446/47, 48, 36, 37, 41; 273/126 R, 424, 425**

[56] **References Cited**

U.S. PATENT DOCUMENTS

D. 217,977	7/1970	O'Brien et al.	D21/86
2,798,722	7/1957	Fluhrer	273/424
4,560,358	12/1985	Adler	D21/86
4,940,441	7/1990	Novinsky	446/46
4,955,841	9/1990	Pastramo	446/46

FOREIGN PATENT DOCUMENTS

438000 1/1927 Fed. Rep. of Germany 273/424
173291 11/1960 Sweden 273/425

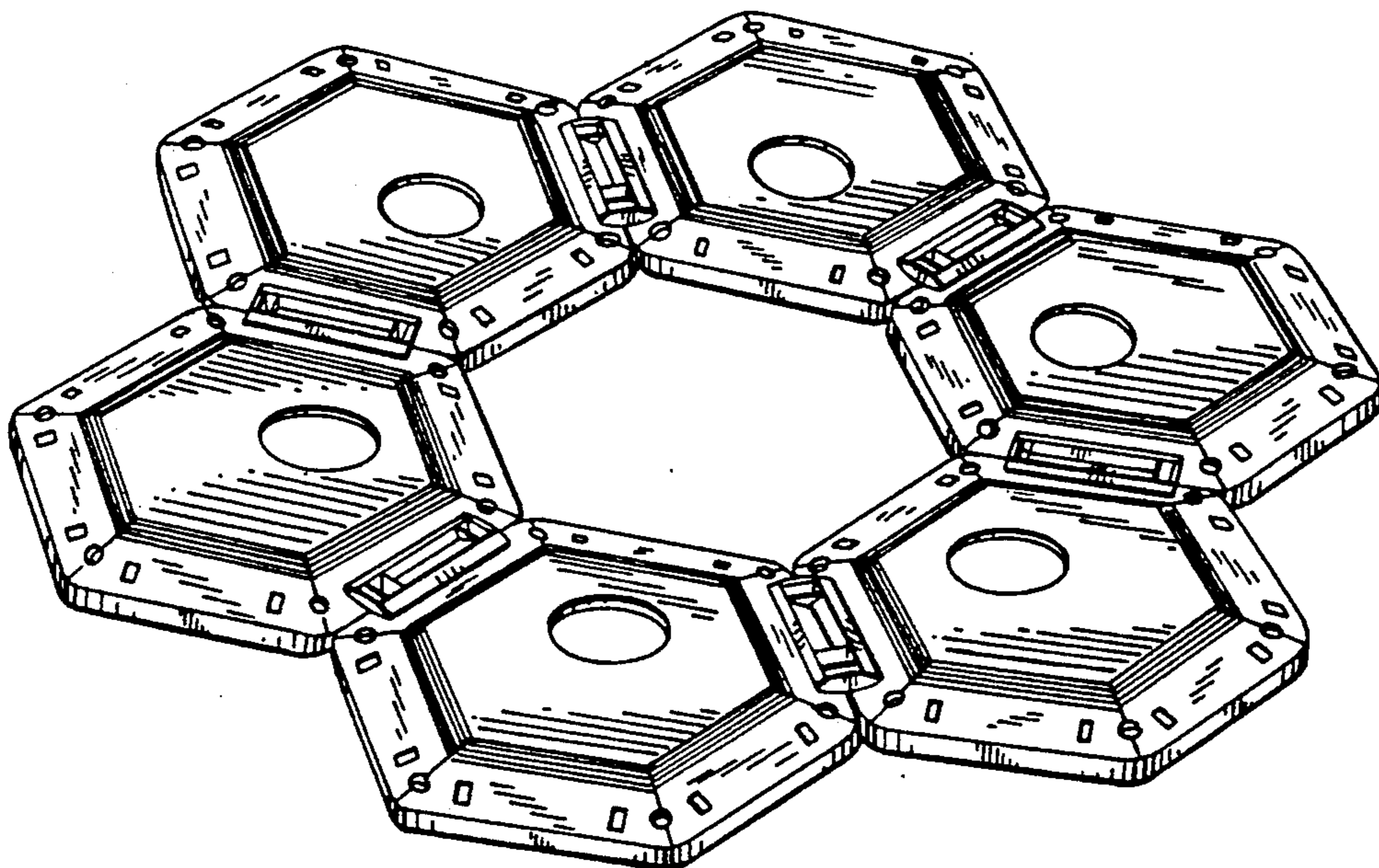
Primary Examiner—Charles A. Rademaker
Attorney, Agent, or Firm—Ladas & Parry

[57] **CLAIM**

The ornamental design for an aerial toy, as shown and described.

DESCRIPTION

FIG. 1 is a top perspective view of an aerial toy showing my new design;
FIG. 2 is a top plan view thereof;
FIG. 3 is a side elevational view thereof;
FIG. 4 is a bottom perspective view thereof;
FIG. 5 is a perspective view of two members of the design shown unfastened and in an exploded condition; and,
FIG. 6 is a cross-sectional view of one member taken along line VI—VI in FIG. 2.



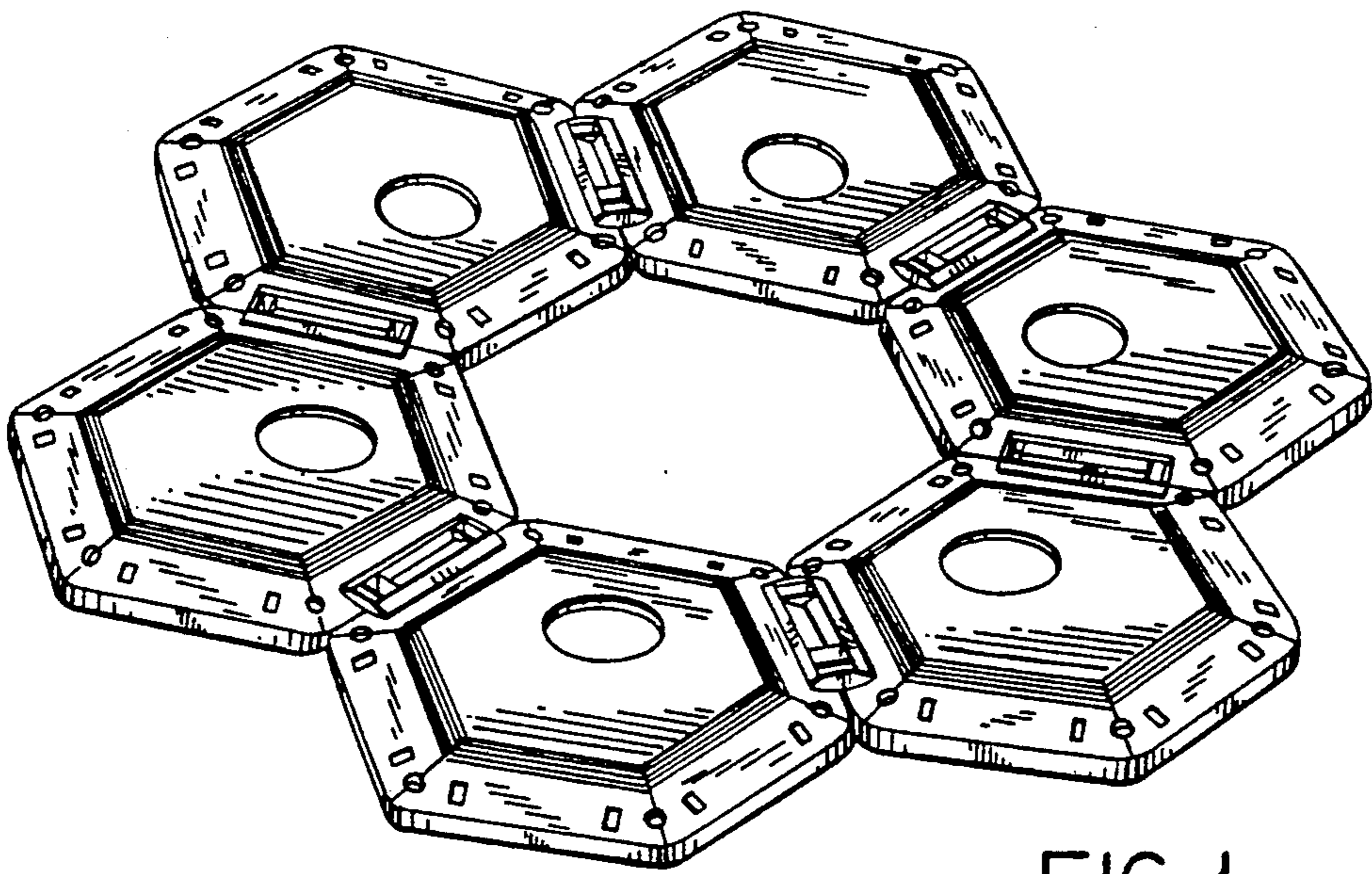


FIG. 1

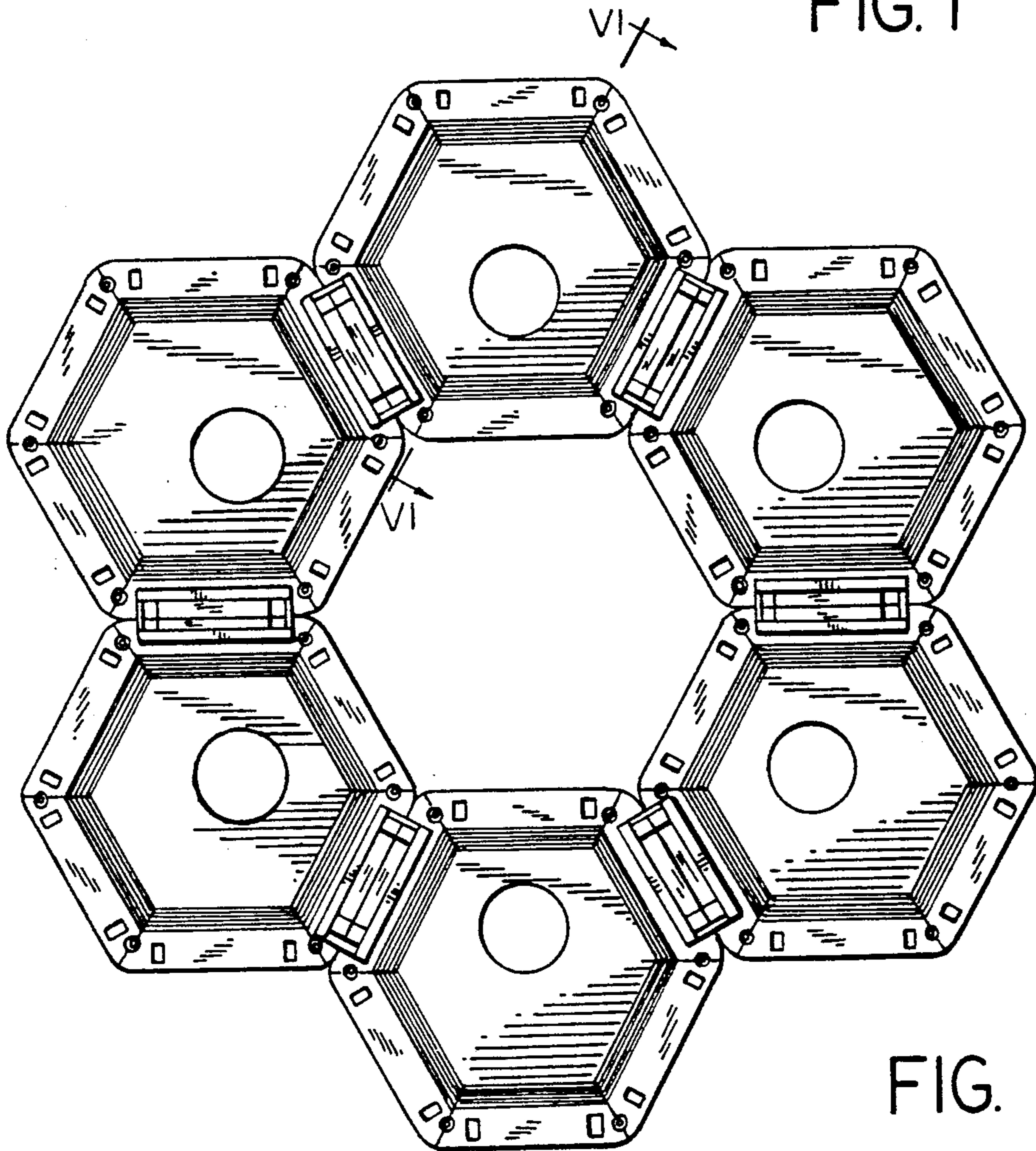


FIG. 2

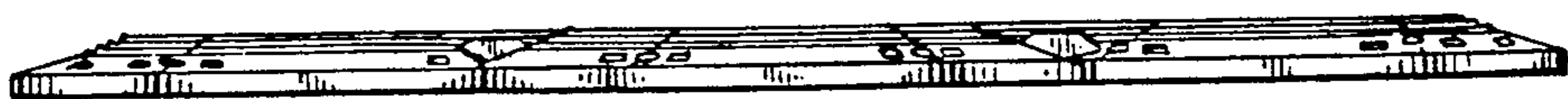


FIG. 3

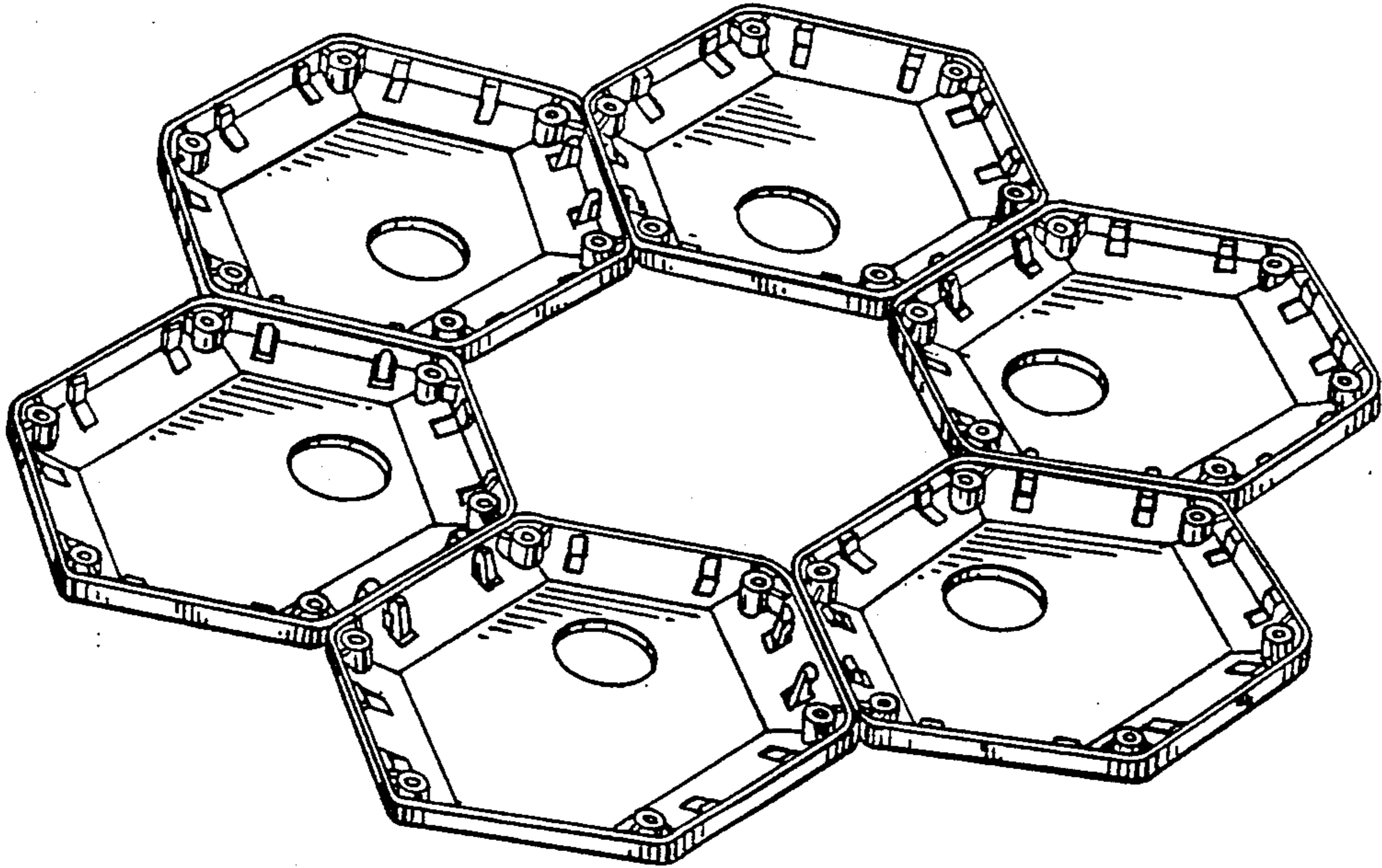


FIG. 4

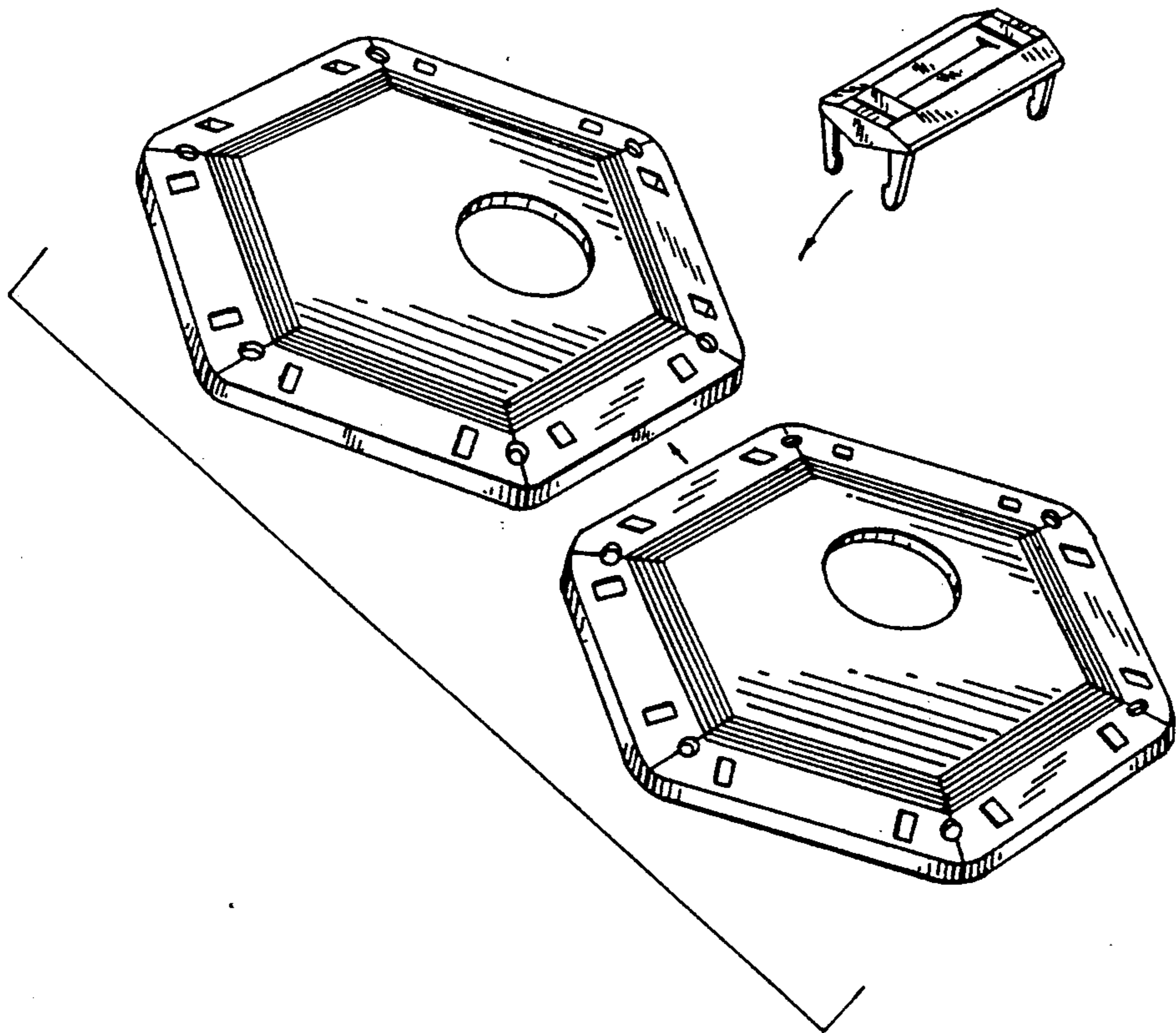


FIG. 5

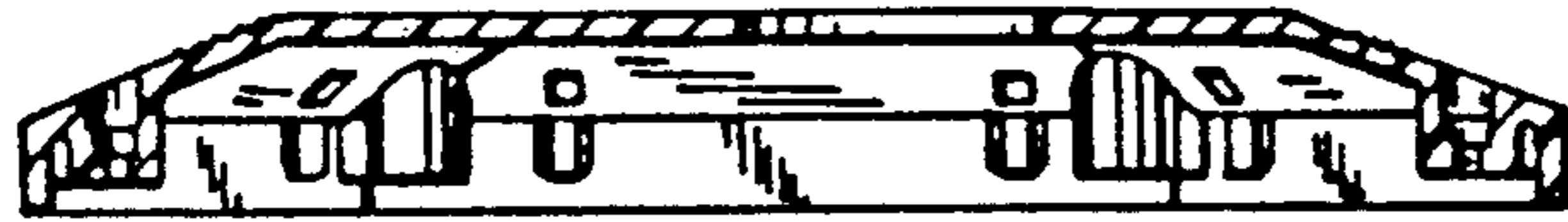


FIG. 6