



US00D322999S

United States Patent [19]
Atwell

[11] **Patent Number: Des. 322,999**
[45] **Date of Patent: ** Jan. 7, 1992**

[54] **AERIAL TOY**

[76] **Inventor: Blair Atwell, 1064 E. 2nd St., Longbeach, Calif. 90802**

[**] **Term: 14 Years**

[21] **Appl. No.: 470,039**

[22] **Filed: Jan. 24, 1990**

[52] **U.S. Cl. D21/86**

[58] **Field of Search D21/82, 86; 446/46, 446/48, 34; 273/330, 329, 332, 424, 426**

[56] **References Cited**

U.S. PATENT DOCUMENTS

D. 315,372	3/1991	Weiss	D21/86
4,560,358	12/1985	Adler	D21/86
4,752,267	6/1988	Layman	D21/86

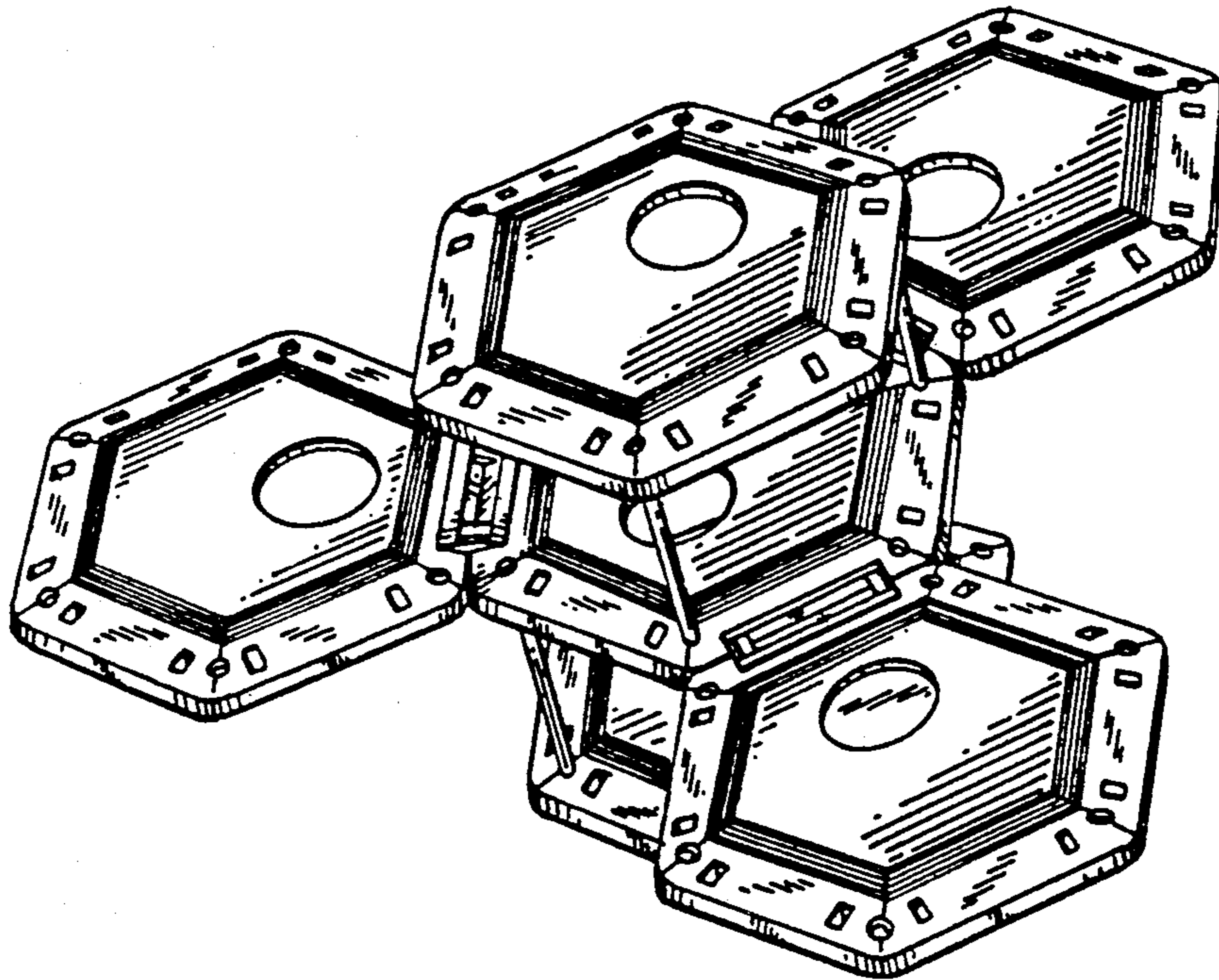
*Primary Examiner—Charles A. Rademaker
Attorney, Agent, or Firm—Ladas & Parry*

[57] **CLAIM**

The ornamental design for an aerial toy, as shown and described.

DESCRIPTION

FIG. 1 is a top perspective view of an aerial toy showing my new design;
FIG. 2 is a top plan view thereof; and,
FIG. 3 is a top perspective view thereof, showing the parts in an exploded relationship;
FIG. 4 is a front elevational view thereof;
FIG. 5 is a bottom perspective view thereof; and
FIG. 6 is a cross-sectional view thereof taken along line VI—VI in FIG. 2 and shown on an enlarged scale.



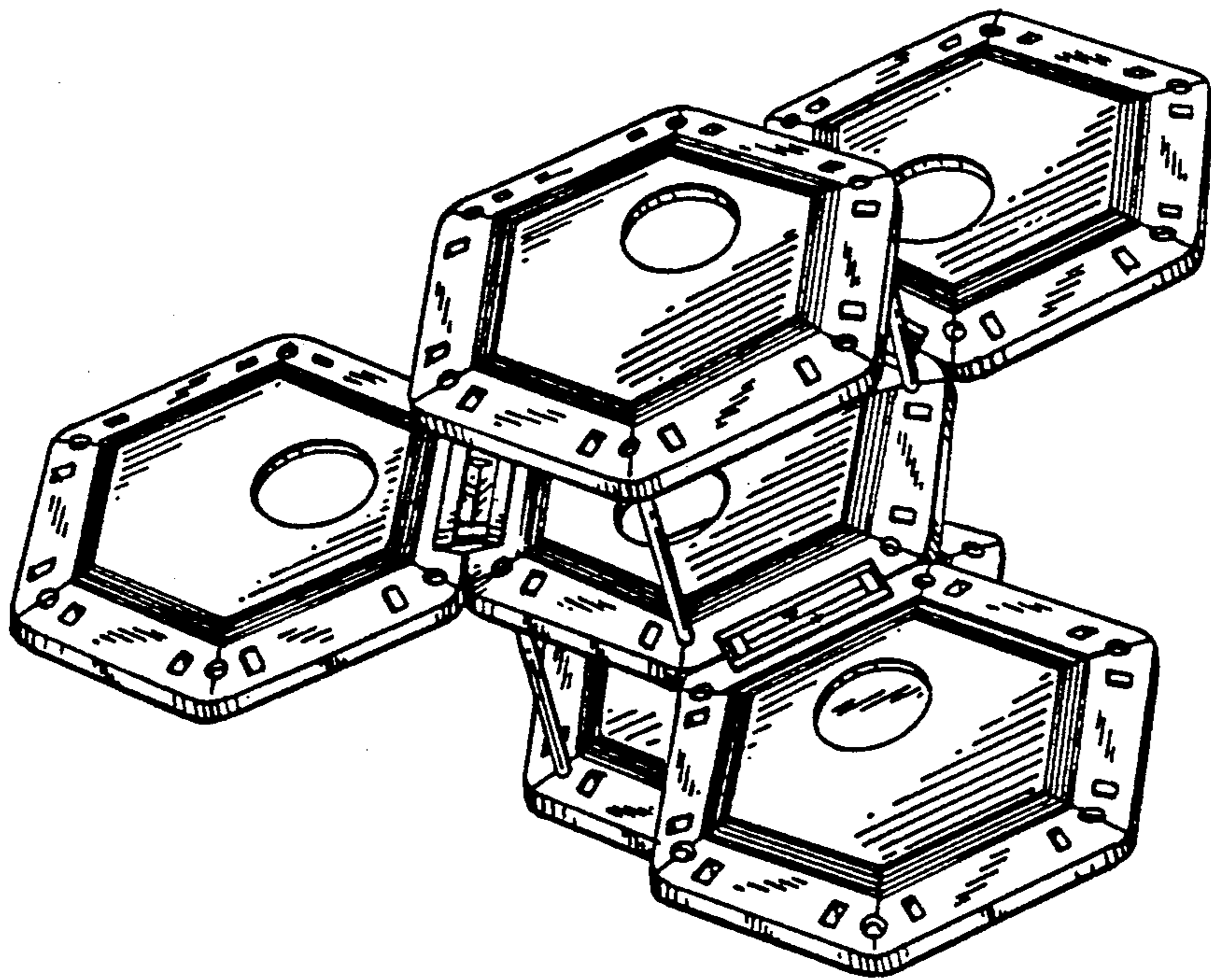


FIG. 1

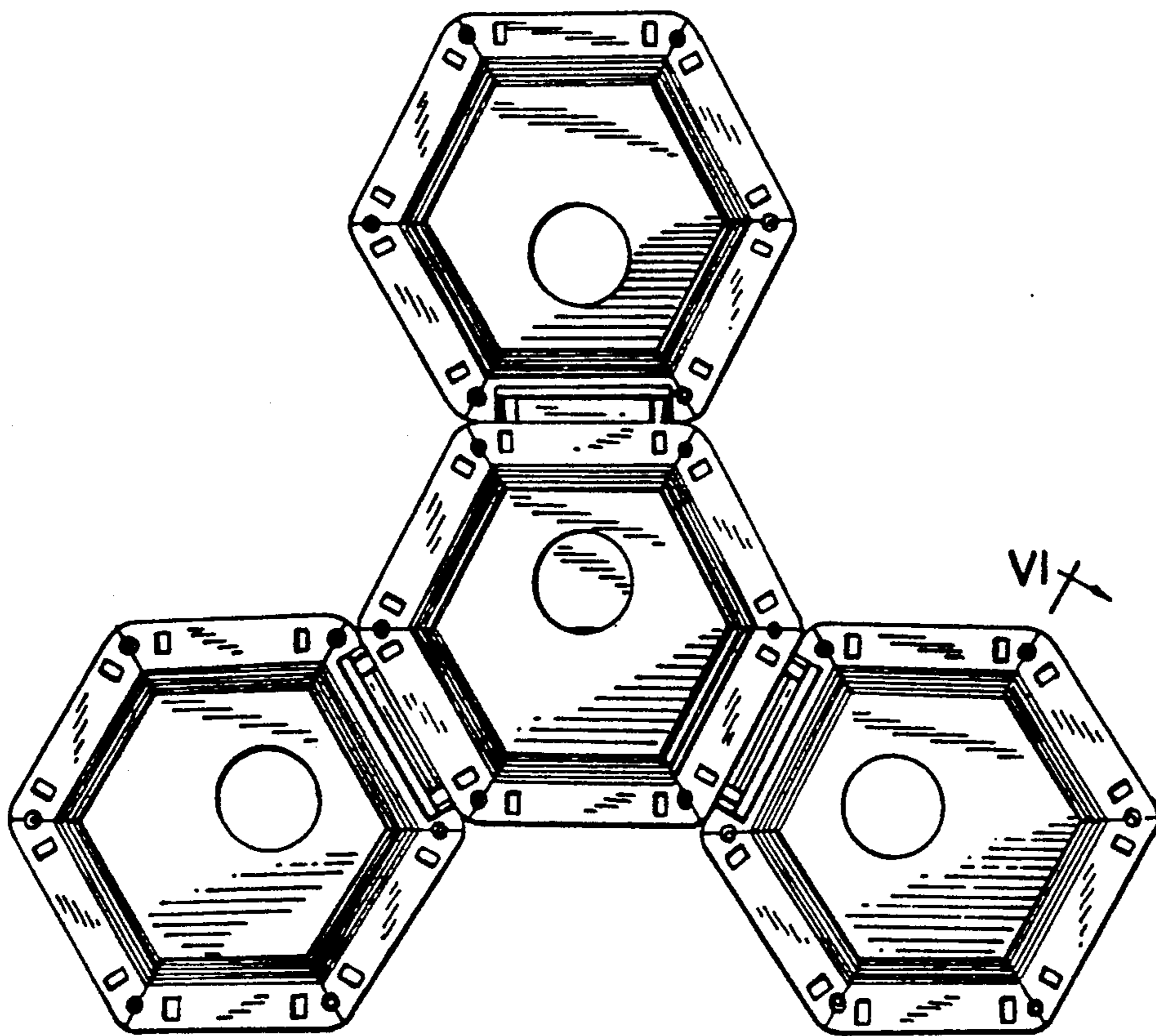


FIG. 2

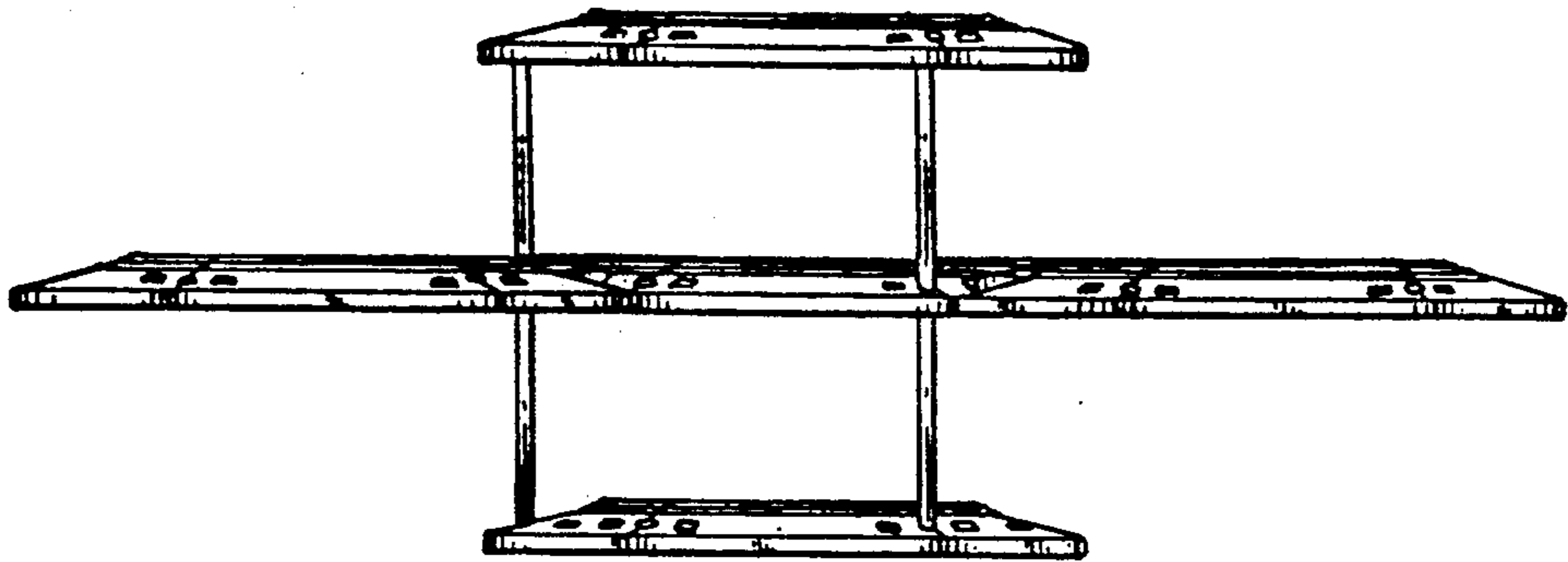


FIG. 4

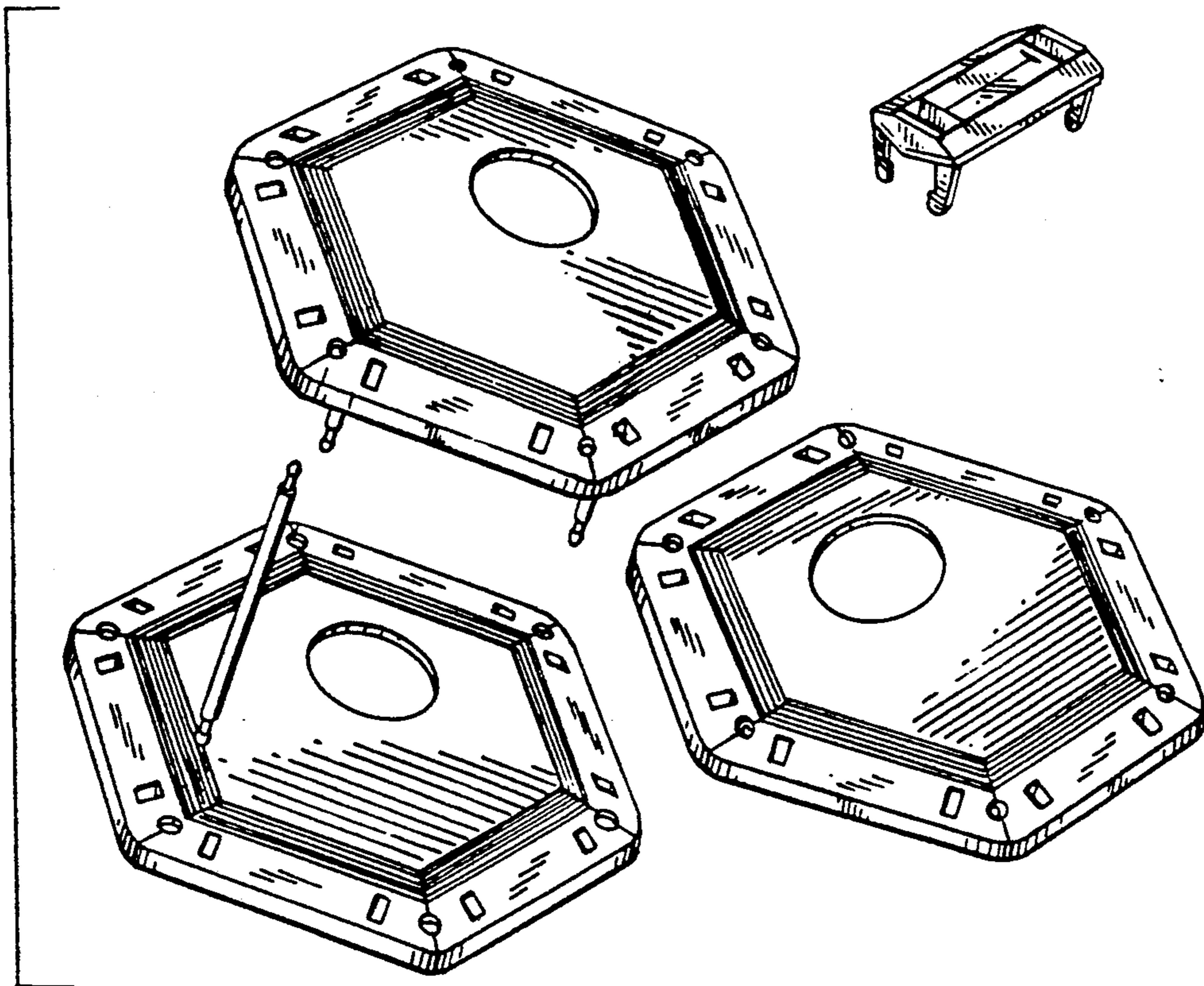


FIG. 3

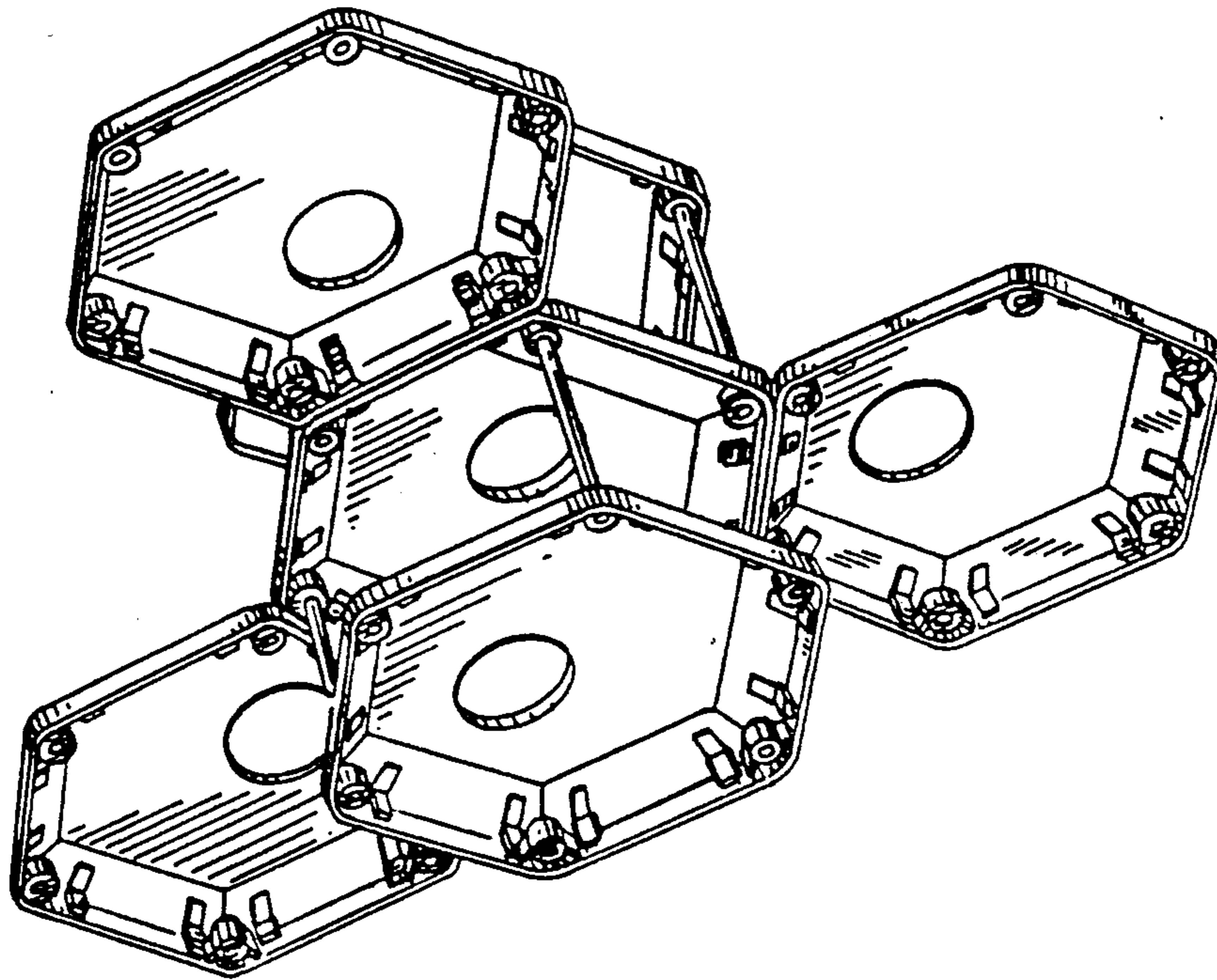


FIG. 5



FIG. 6