



US00D322996S

United States Patent [19]
Batchen

[11] **Patent Number: Des. 322,996**
[45] **Date of Patent: ** Jan. 7, 1992**

[54] **TOY EXTRUDER**

[75] **Inventor: David T. Batchen, London, England**

[73] **Assignee: John Menzies (GB) Limited,
Edinburgh, Scotland**

[**] **Term: 14 Years**

[21] **Appl. No.: 482,680**

[22] **Filed: Feb. 14, 1990**

[30] **Foreign Application Priority Data**

Aug. 14, 1989 [GB] United Kingdom 2000339
[52] **U.S. Cl. D21/59**
[58] **Field of Search D21/59, 109, 124, 125,
D21/126; 446/144, 146, 176, 424, 483, 489, 490**

[56]

References Cited

U.S. PATENT DOCUMENTS

D. 268,043 2/1983 Orenstein D21/59
D. 273,209 3/1984 Ciganko D21/59
D. 299,727 2/1989 Elliott D21/59

Primary Examiner—Charles A. Rademaker
Attorney, Agent, or Firm—Olson & Hierl

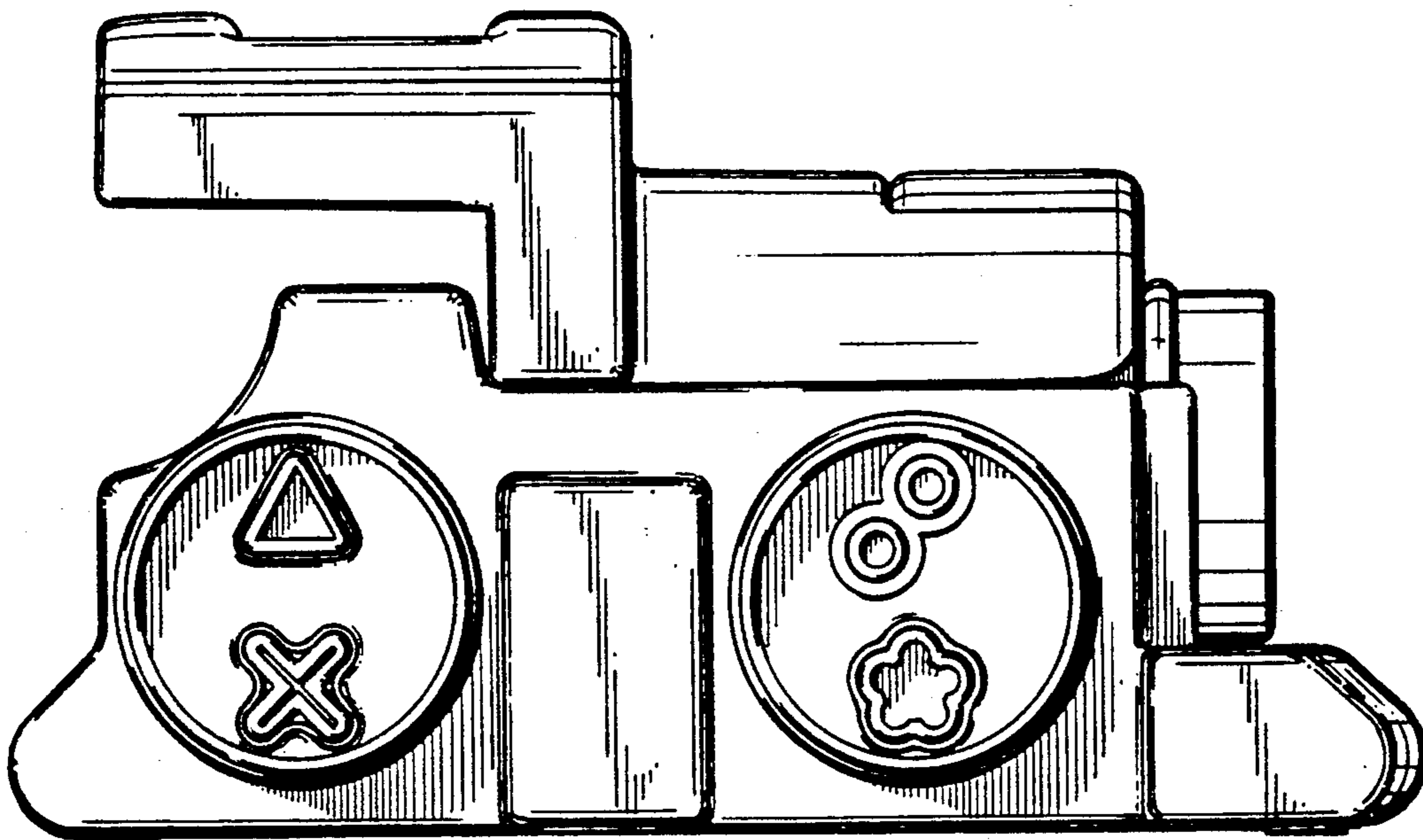
[57]

CLAIM

The ornamental design for a toy extruder, as shown and described.

DESCRIPTION

FIG. 1 is a front elevational view of a toy extruder showing my new design;
FIG. 2 is a left side elevational view thereof;
FIG. 3 is a rear elevational view thereof;
FIG. 4 is a right side elevational view thereof with the handle in an up position; and,
FIG. 5 is a top plan view thereof with the handle in the down position.



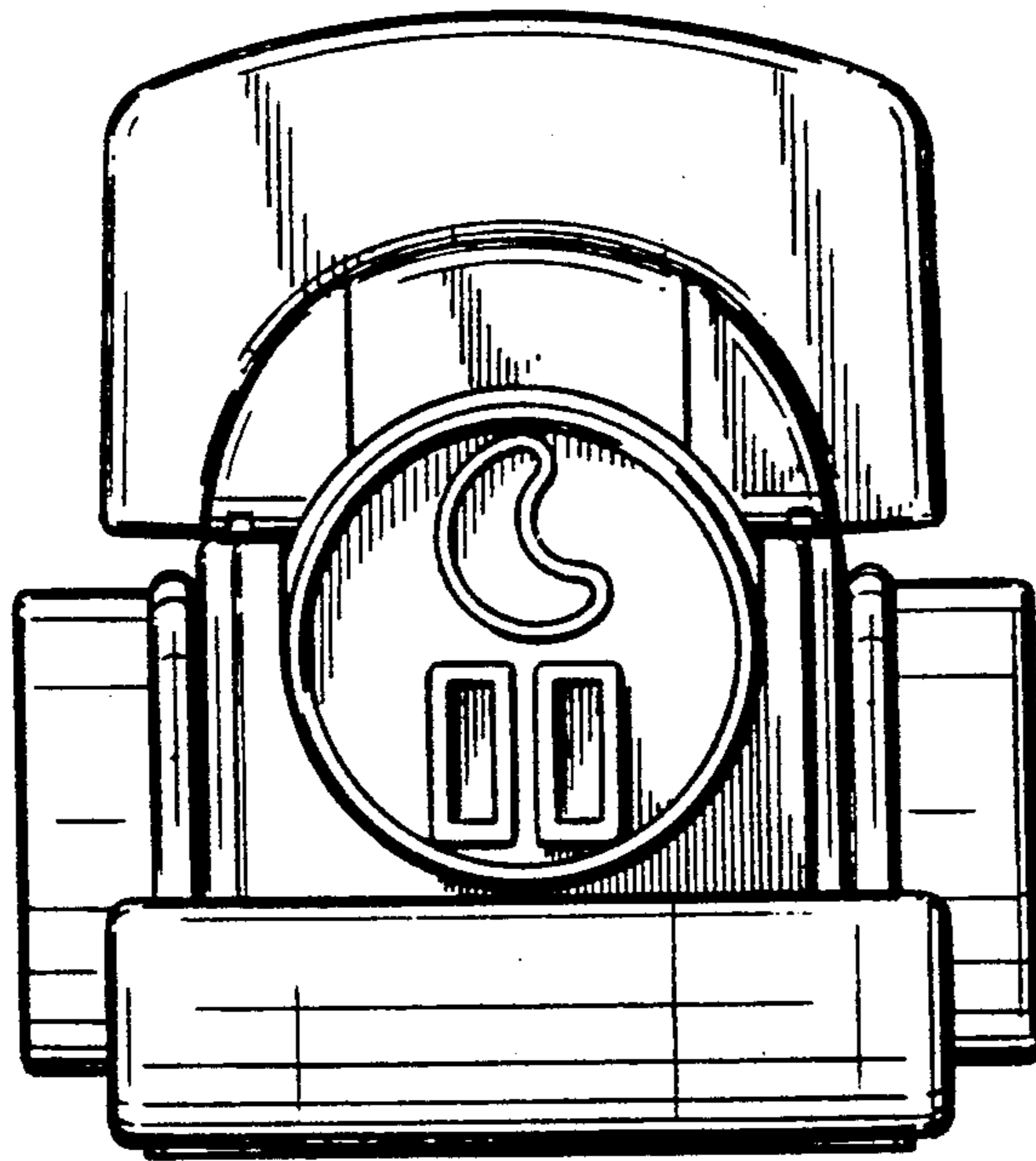


Fig.1.

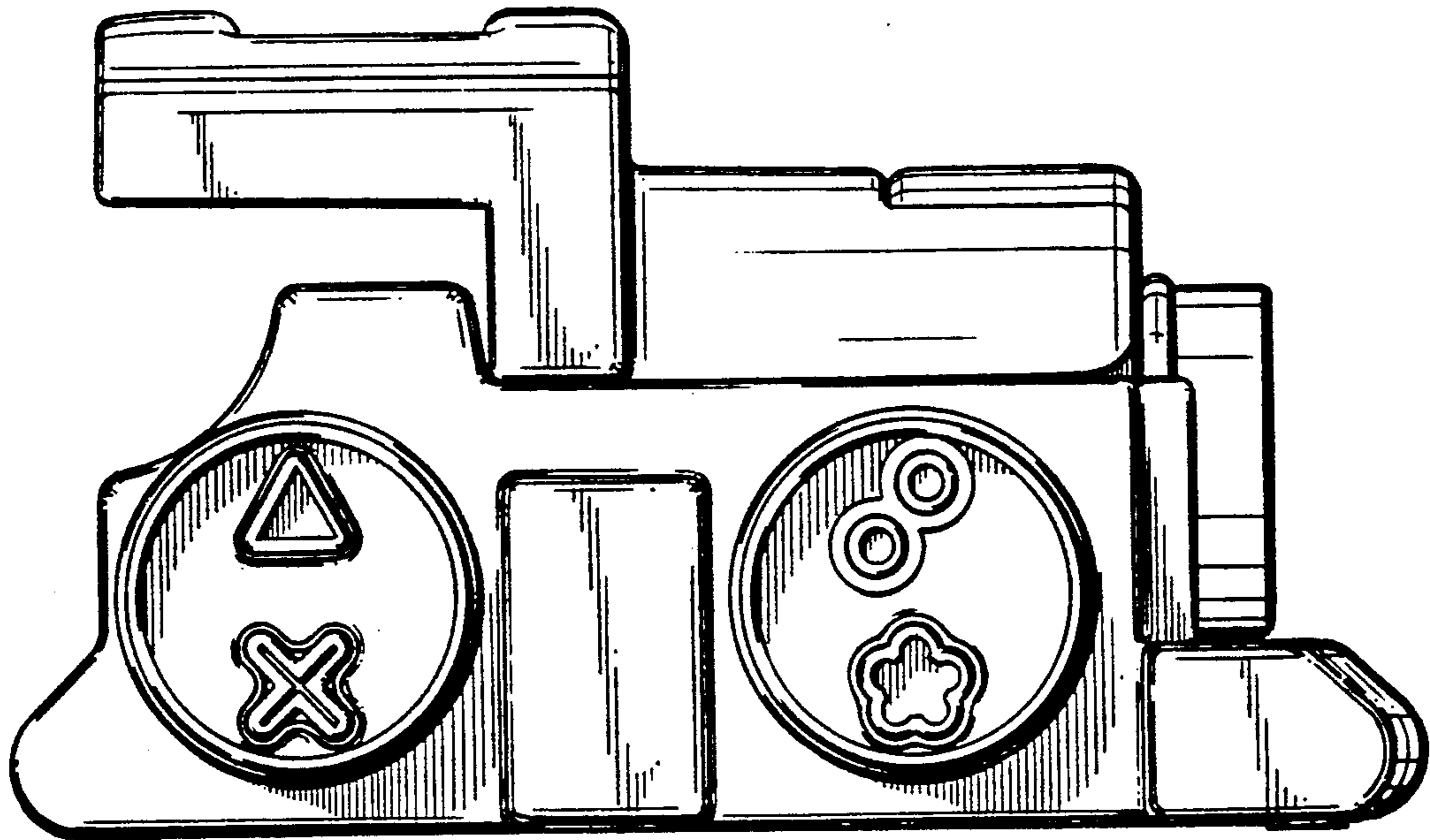


Fig.2.

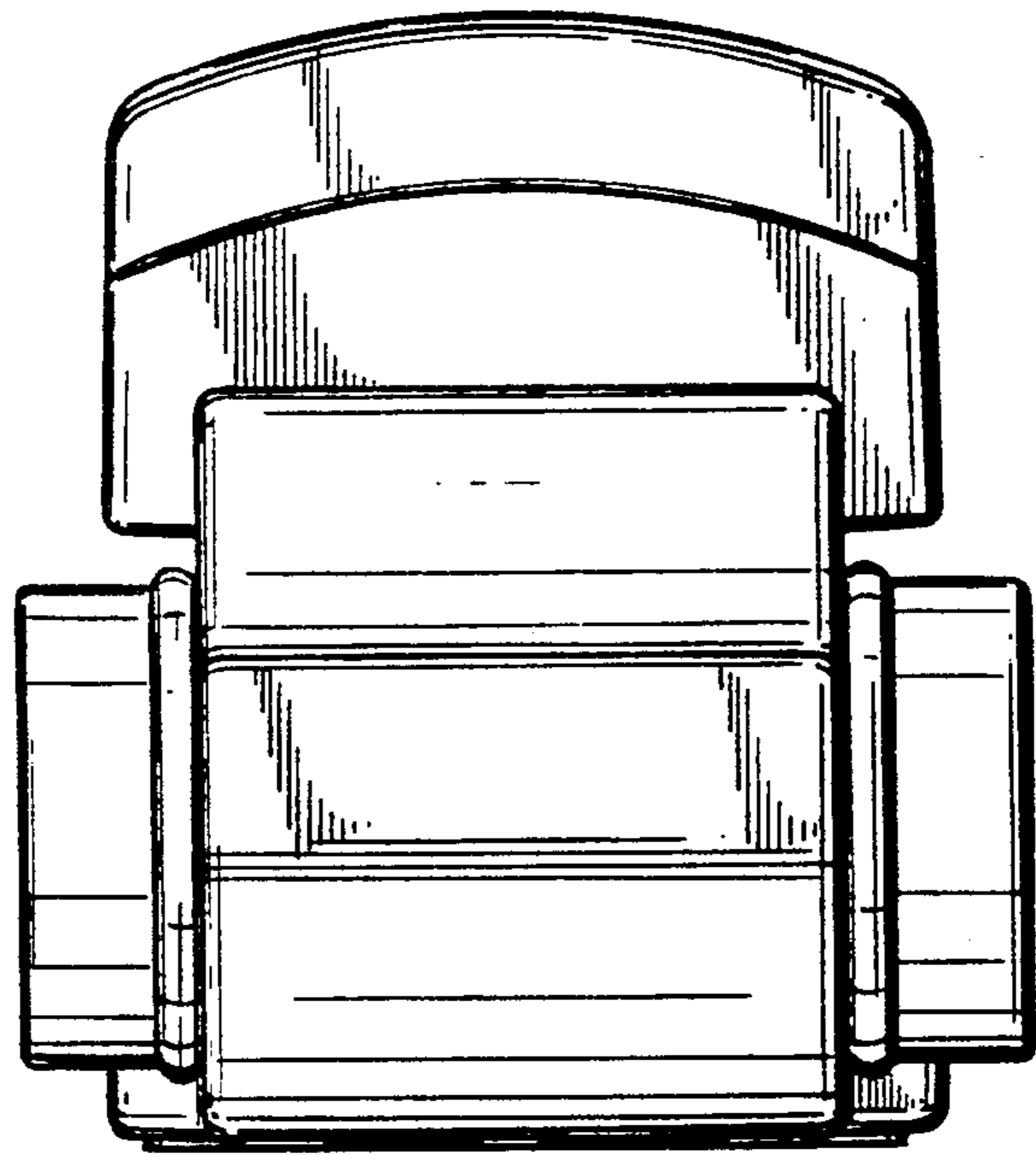


Fig. 3.

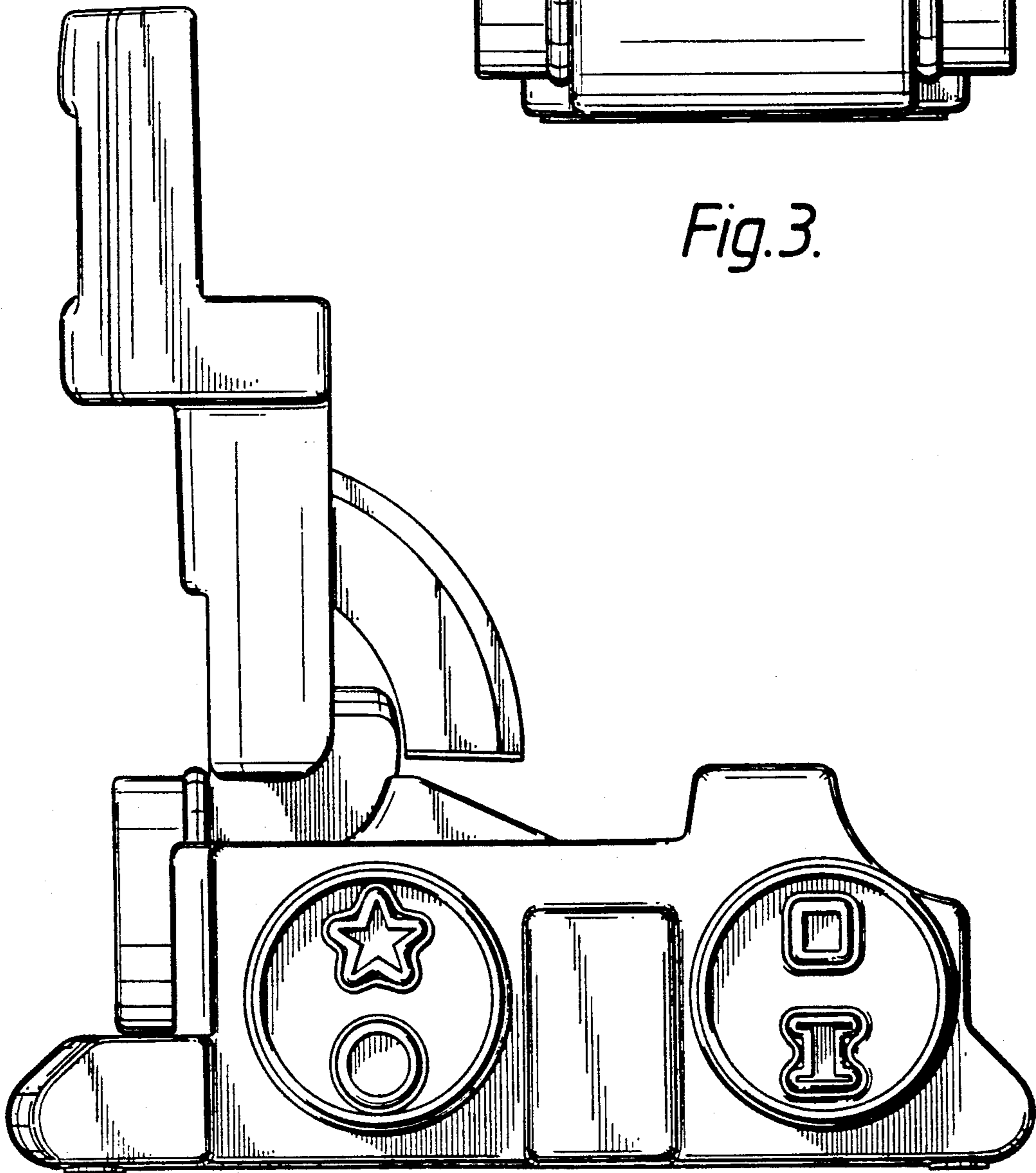


Fig. 4.

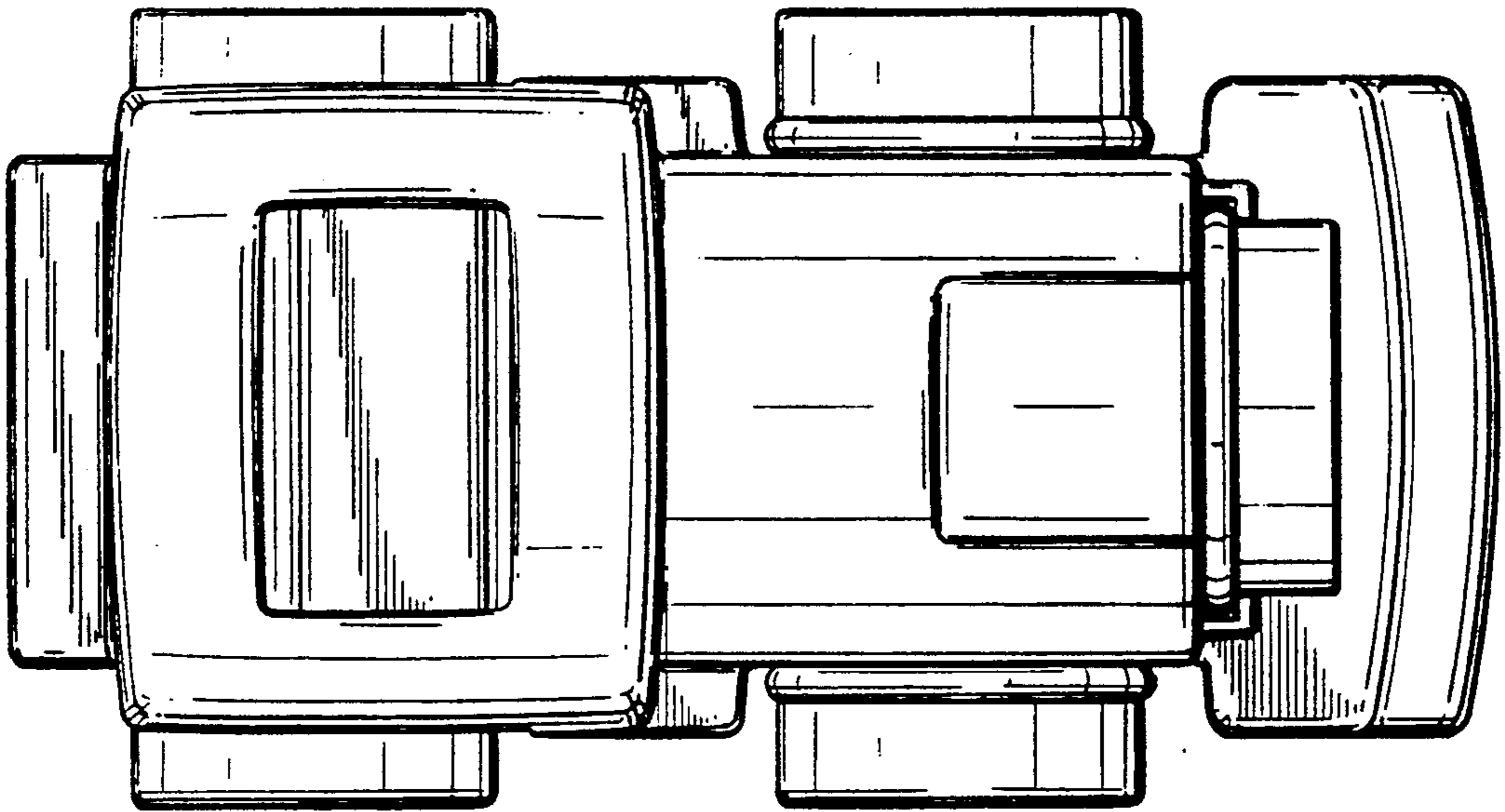


Fig.5.