



US00D322991S

United States Patent [19]

Willie

[11] Patent Number: **Des. 322,991**

[45] Date of Patent: **** Jan. 7, 1992**

[54] **ORGANIZER FOR A PLURALITY OF ARTICLES**

[76] Inventor: **Janet A. Willie, 1226 Park La., Texas City, Tex. 77590**

[**] Term: **14 Years**

[21] Appl. No.: **383,577**

[22] Filed: **Jul. 24, 1989**

[52] U.S. Cl. **D19/78; D19/75; D19/77; D19/85; D19/92**

[58] Field of Search **D19/65, 75, 77, 78, D19/79, 81-85, 92, 95, 99, 100; 206/214, 215, 371, 555; 211/69.1-69.9**

[56] **References Cited**

U.S. PATENT DOCUMENTS

D. 67,508	6/1925	Falder	D19/79
D. 101,066	9/1936	Richardson	D19/92 X
D. 101,710	10/1936	Patterson	D19/92 X
D. 139,831	12/1944	Posnack	D19/92 X
D. 196,890	11/1963	Garner	D19/92 X

D. 202,394	9/1965	Berliner	D19/92 X
D. 231,268	4/1974	Longarzo	D19/92 X
D. 296,448	6/1988	Evenson	D19/78 X
D. 305,246	12/1989	Kirchoff et al.	D19/92 X
D. 317,017	5/1991	Kheng	D19/78
D. 317,461	6/1991	Willie	D19/92 X

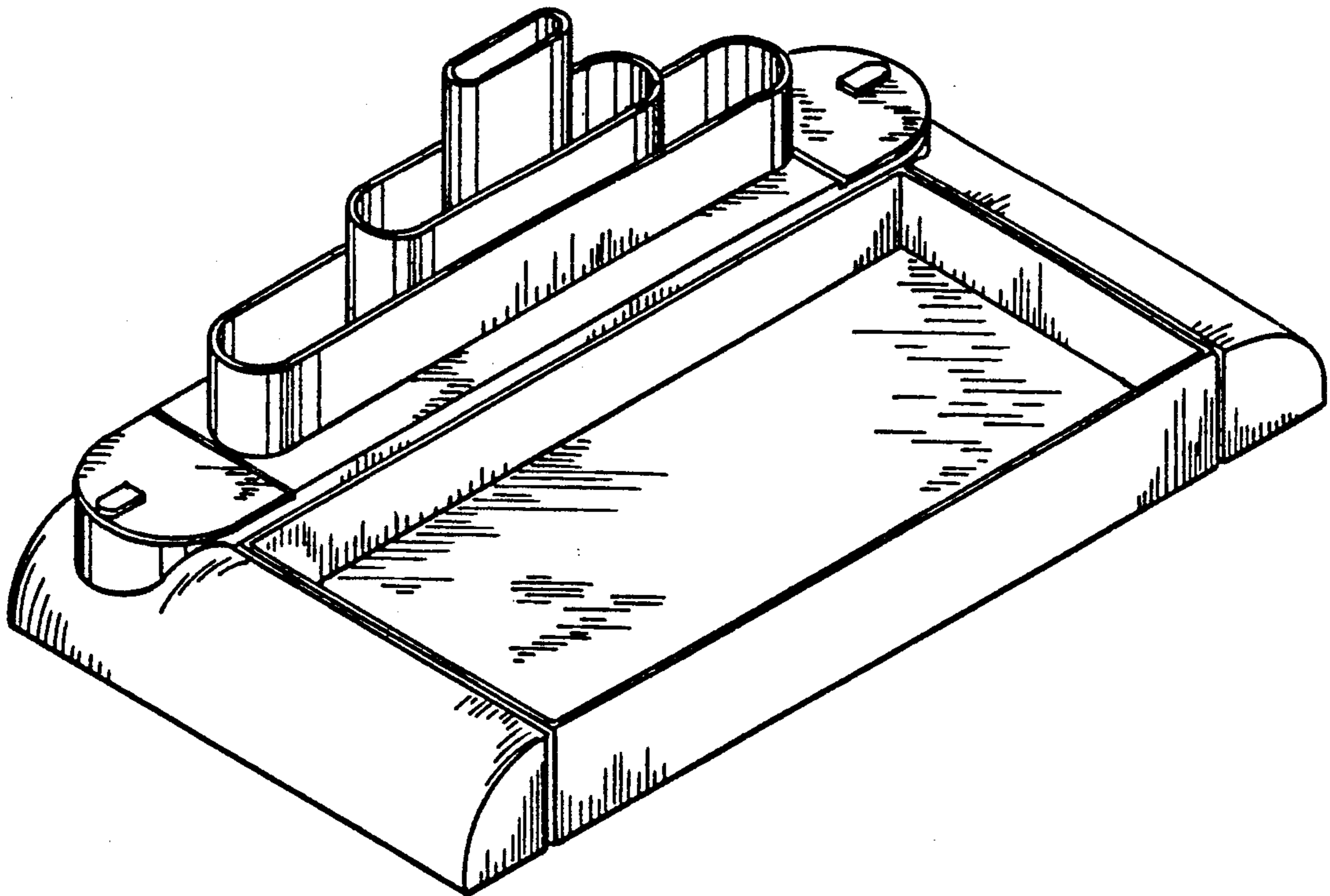
Primary Examiner—Bruce W. Dunkins
Assistant Examiner—Martha Thompson
Attorney, Agent, or Firm—Delmar L. Sroufe

[57] **CLAIM**

The ornamental design for an organizer for a plurality of articles, as shown and described.

DESCRIPTION

FIG. 1 is a top left front perspective view of an organizer for a plurality of articles showing my new design; FIG. 2 is a rear elevational view; FIG. 3 is a left side elevational view, the right side being a mirror image thereof; and FIG. 4 is a front elevational view thereof. The undisclosed bottom surface of the article is conventional in appearance.



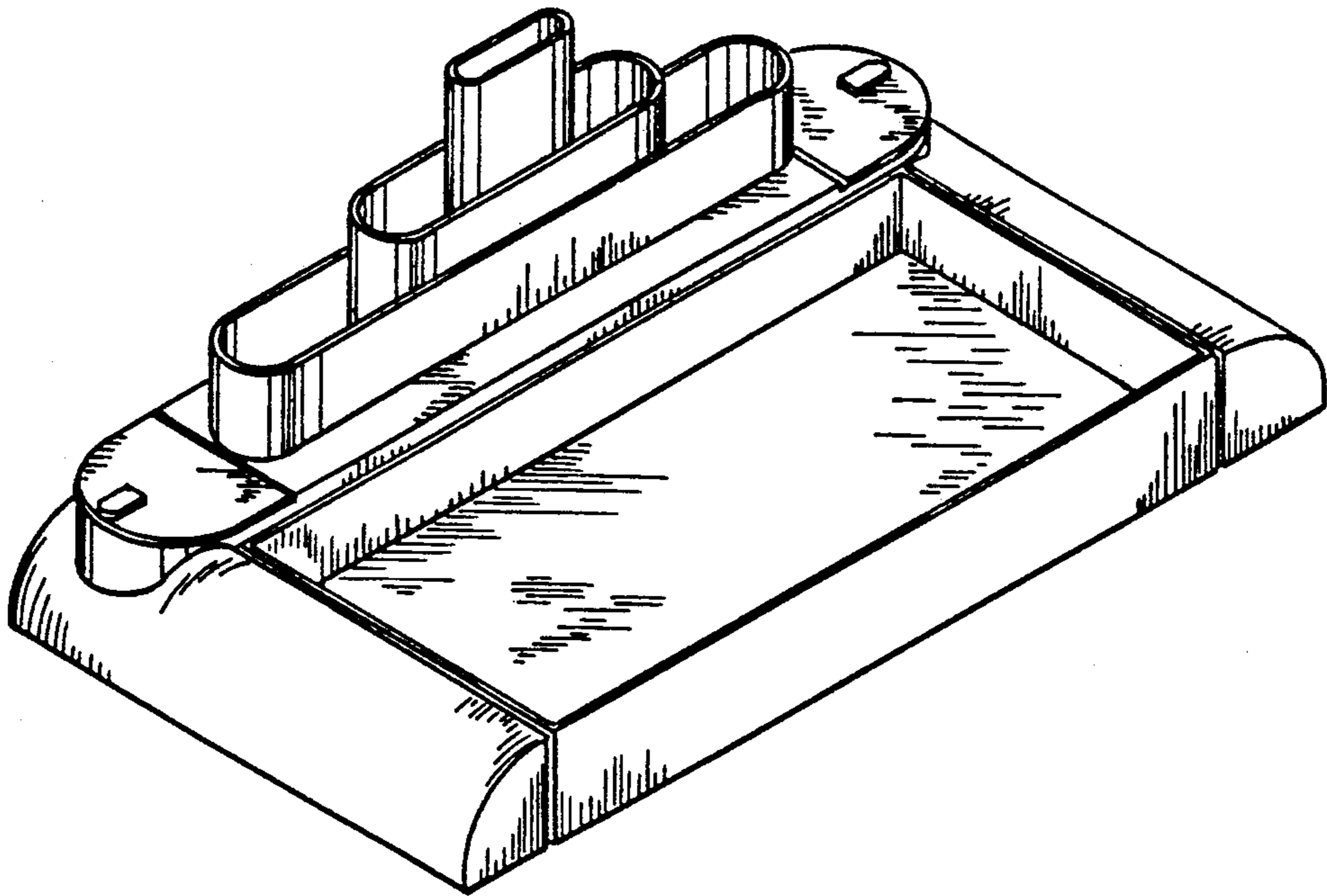


FIG. 1

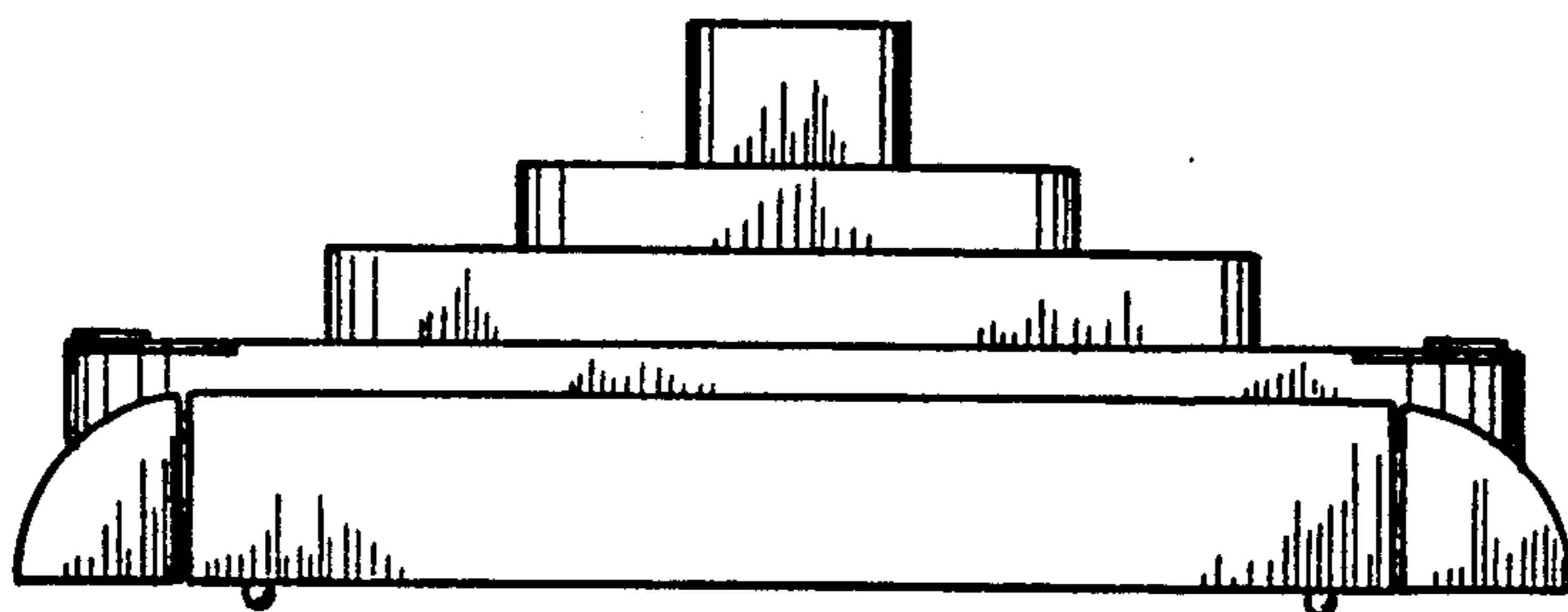


FIG. 2

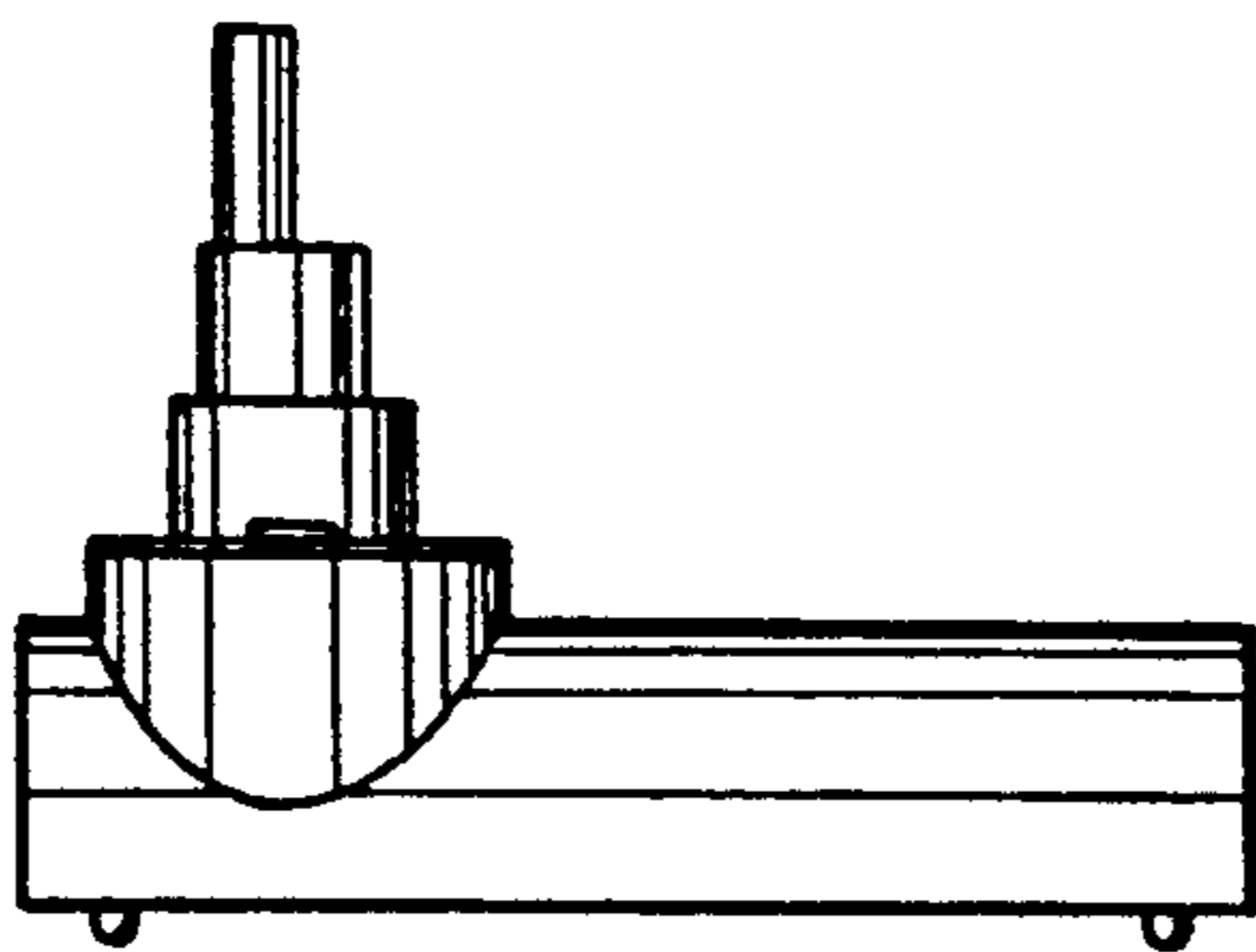


FIG. 3

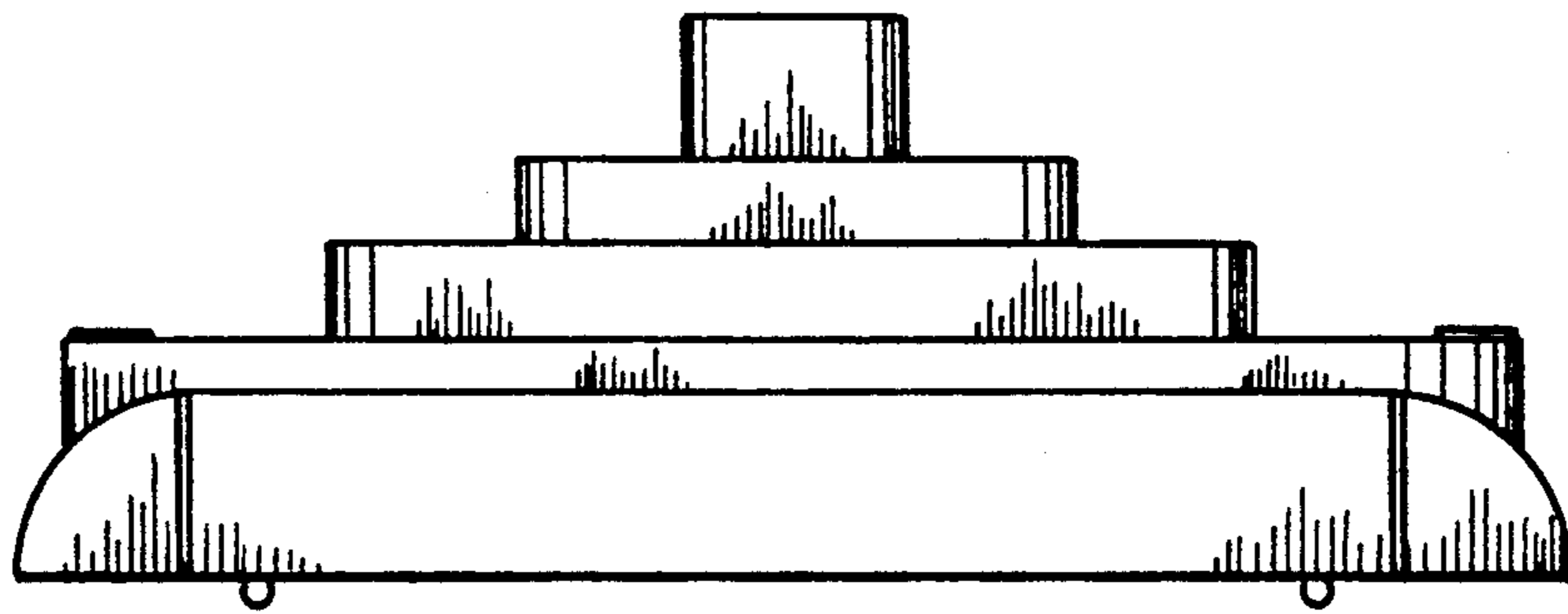


FIG. 4