



US00D322988S

United States Patent [19]
Ozeki

[11] **Patent Number: Des. 322,988**

[45] **Date of Patent: ** Jan. 7, 1992**

[54] **FILE SHEET FOR SLIDE FILMS**

[75] **Inventor: Jiro Ozeki, Tokyo, Japan**

[73] **Assignee: Slidex Corporation, Tokyo, Japan**

[**] **Term: 14 Years**

[21] **Appl. No.: 229,486**

[22] **Filed: Aug. 8, 1988**

[30] **Foreign Application Priority Data**

Feb. 18, 1988 [JP]	Japan	63-6046
[52] U.S. Cl.		D19/33
[58] Field of Search	D19/32, 33, 34, 28,	
	D19/29, 26; 40/158.1, 159, 159.1, 333; D3/35,	30.1

[56] **References Cited**

U.S. PATENT DOCUMENTS

D. 255,791	1/1973	Nast	D19/33
1,956,527	4/1934	De Groot	D19/33
3,245,166	4/1966	Hagner	D19/33 X
3,857,192	12/1974	Mascolo	D19/33 X

FOREIGN PATENT DOCUMENTS

2077186 12/1987 United Kingdom D19/33

OTHER PUBLICATIONS

Highsmith Catalog, 1985/86, p. 255, Rigid slide frame, element A.

Adcom Inc., 1984, p. 147, Slide Viewer & Storage, element B.

Primary Examiner—Wallace R. Burke

Assistant Examiner—P. Schmidt

Attorney, Agent, or Firm—Fleit, Jacobson, Cohn, Price, Holman & Stern

[57] **CLAIM**

The ornamental design for a file sheet for slide films, as shown and described.

DESCRIPTION

FIG. 1 is a top plan view of a file sheet for slide films showing my new design;
 FIG. 2 is a front elevational view thereof;
 FIG. 3 is a rear elevational view thereof;
 FIG. 4 is a bottom plan view thereof;
 FIG. 5 is a left side elevational view thereof;
 FIG. 6 is a right side elevational view thereof;
 FIG. 7 is an enlarged cross-sectional view thereof, taken along line 7—7 of FIG. 1;
 FIG. 8 is an enlarged cross-sectional view thereof, taken along line 8—8 of FIG. 1;
 FIG. 9 is an enlarged cross-sectional view thereof, taken along line 9—9 of FIG. 1; and
 FIG. 10 is an enlarged perspective view of an end portion thereof, as shown in FIG. 1.

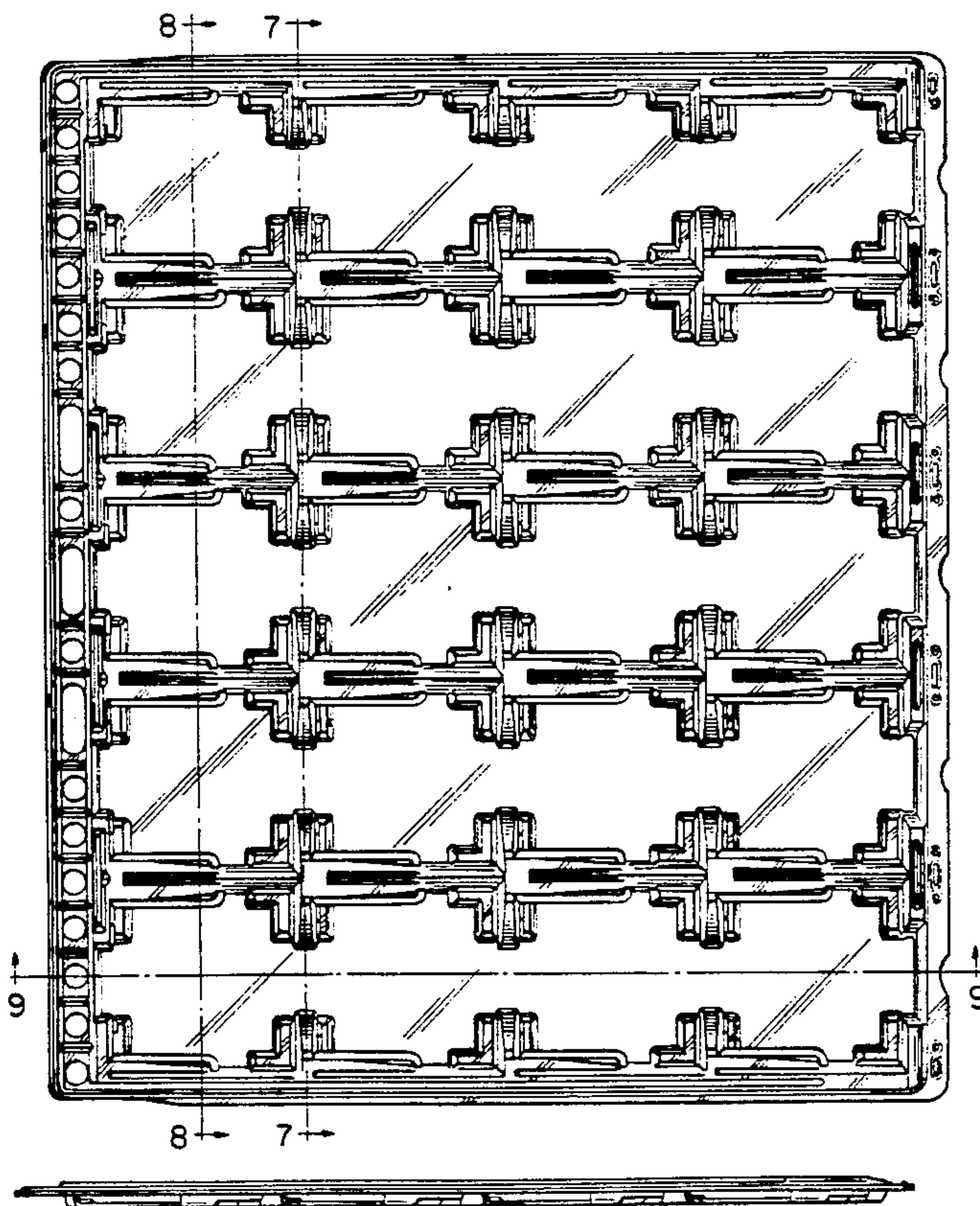


FIG. 1

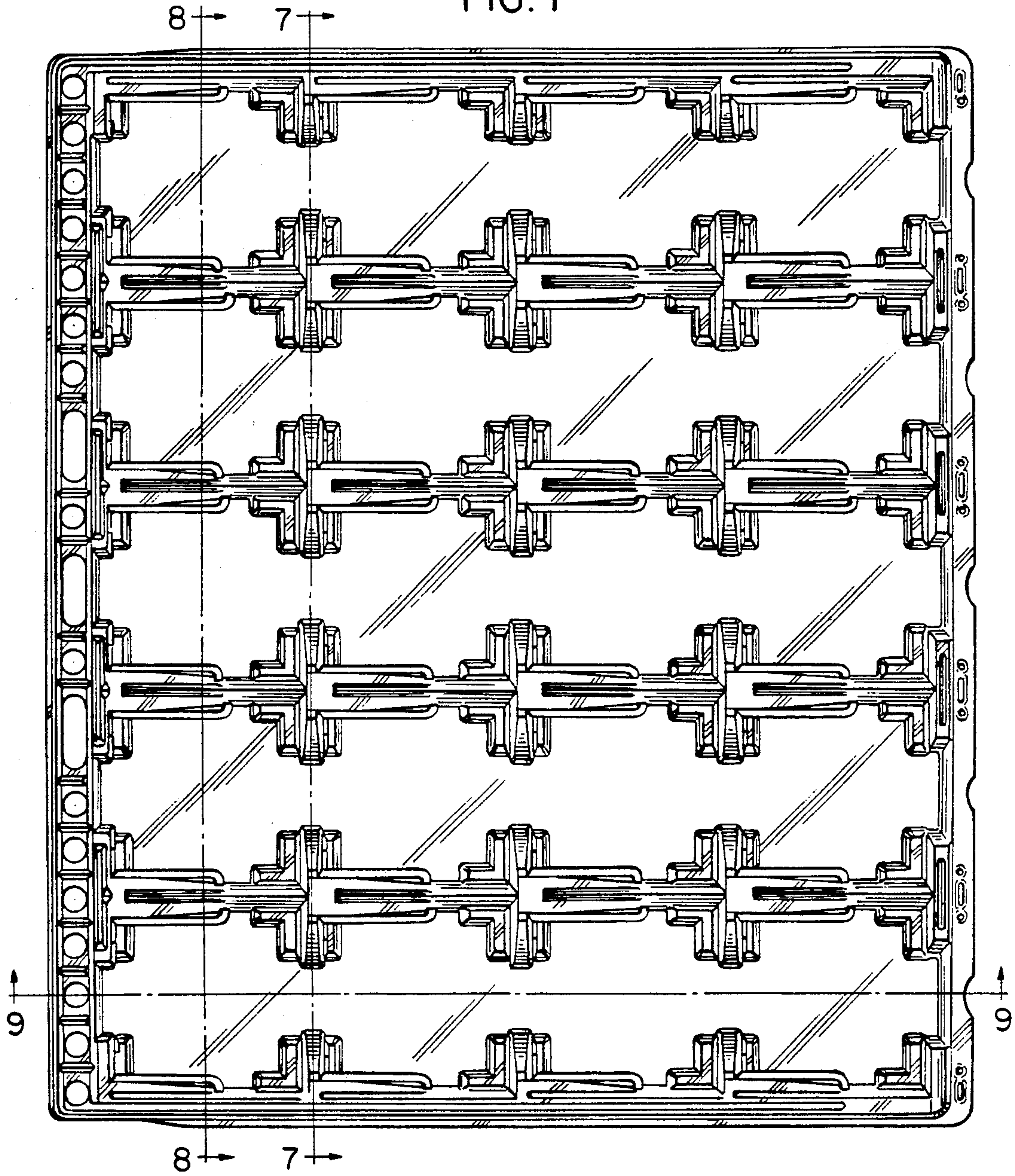


FIG. 2



FIG. 3



FIG. 4

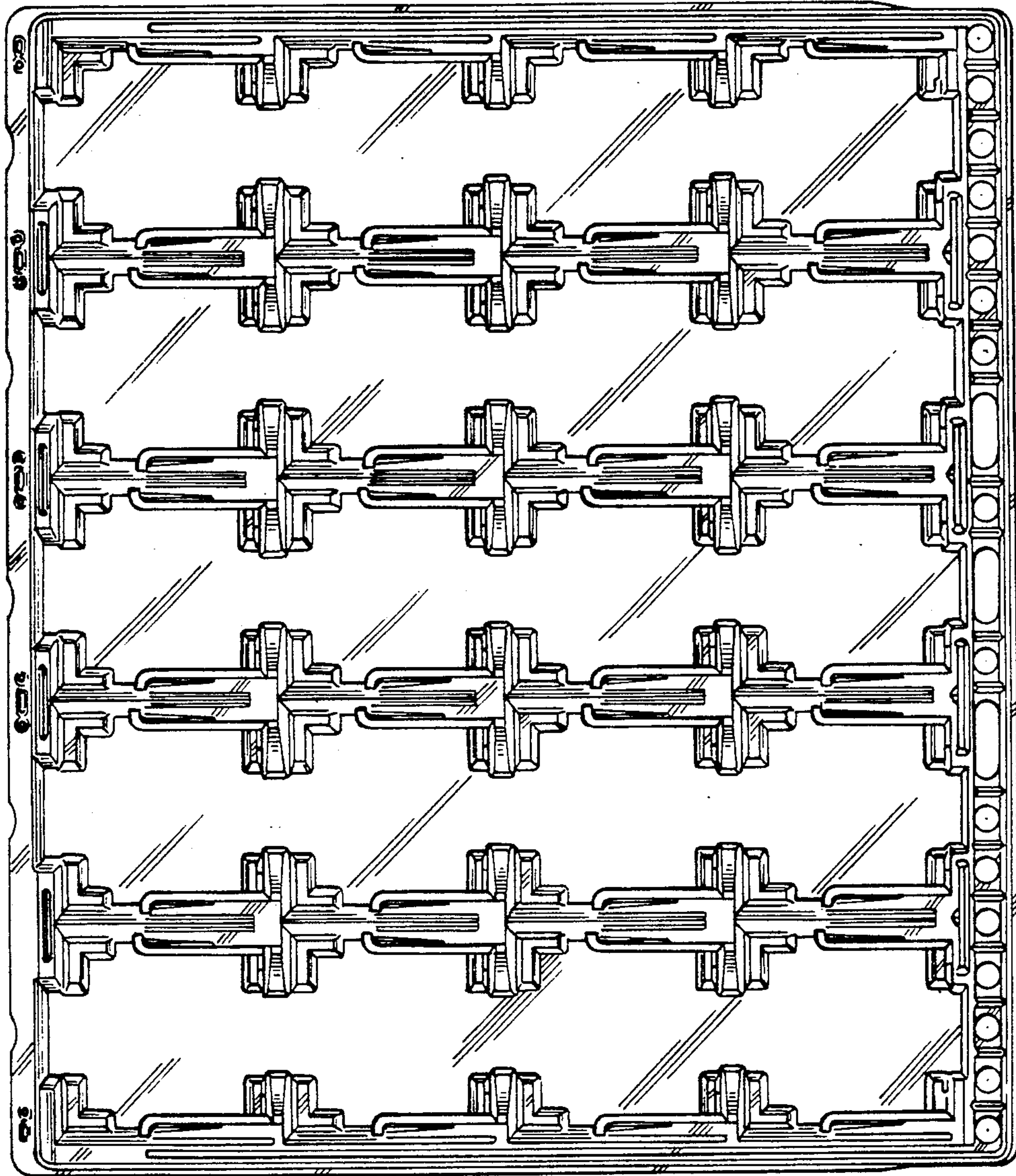


FIG. 5

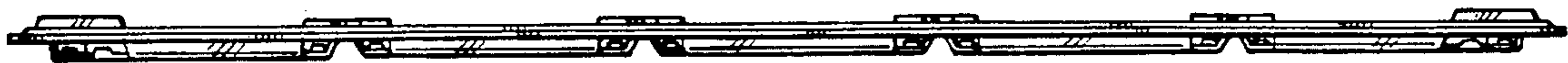


FIG. 6



FIG. 7



FIG. 8



FIG. 9



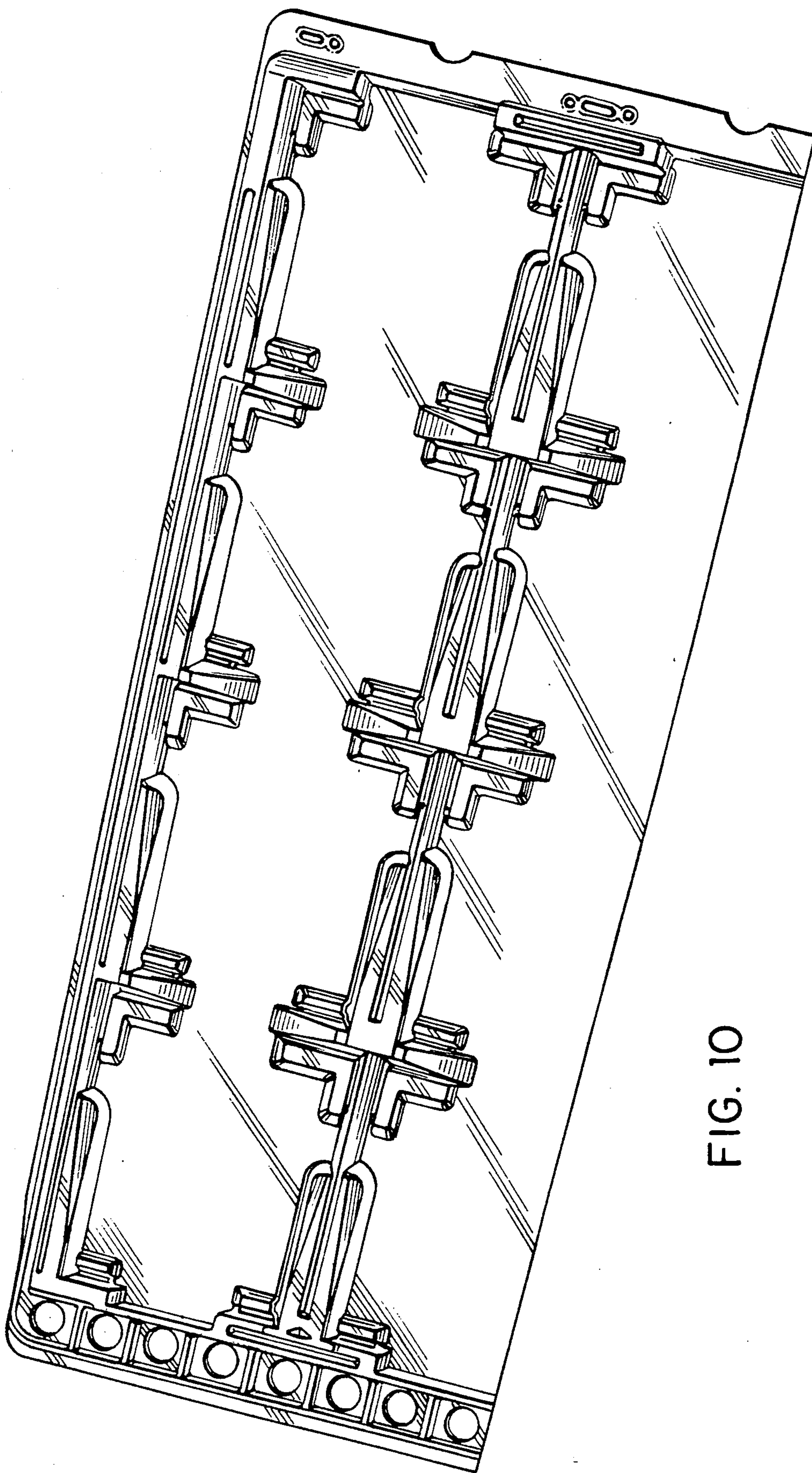


FIG. 10