



US00D322980S

United States Patent [19]

Mckinnon, Jr. et al.

[11] Patent Number: **Des. 322,980**

[45] Date of Patent: **** Jan. 7, 1992**

[54] PRINTER FOR COMPUTER

[75] Inventors: **Raymond J. Mckinnon, Jr.**, Castro Valley; **Michael R. Barry**, Palo Alto, both of Calif.; **Minoru Sato**; **Hiroyuki Mizuno**, both of Takizawa, Japan

[73] Assignee: **Alps Electric Co., Ltd.**, Tokyo, Japan

[**] Term: **14 Years**

[21] Appl. No.: **356,954**

[22] Filed: **May 25, 1989**

[30] Foreign Application Priority Data

Dec. 19, 1988 [JP]	Japan	63-49420
[52] U.S. Cl.		D18/53; D18/36
[58] Field of Search		D18/13, 36-39; D14/111, 106; 400/613, 613.1-613.4, 691-694; 101/9, 130, 420

[56] References Cited

U.S. PATENT DOCUMENTS

D. 267,802	1/1983	Yasutani	D18/36
D. 269,274	6/1983	Hofland et al.	D18/36
D. 276,346	11/1984	Matsuzaka	D18/36
D. 279,903	7/1985	Kosako et al.	D18/36
D. 284,083	6/1986	Sutoh et al.	D18/38
D. 292,592	11/1987	Kosako	D18/36

D. 296,906	7/1988	Burrows et al.	D18/36
D. 313,617	1/1991	Kosako et al.	D18/37
4,768,772	9/1988	Ochiai et al.	D18/39

FOREIGN PATENT DOCUMENTS

658337	8/1985	Japan	D18/13
694389	12/1986	Japan	D18/13

OTHER PUBLICATIONS

Lithoweeek; Oct. 14, 1987; p. 20; Varityper VT600 type-setter.

Primary Examiner—A. Hugo Word
Assistant Examiner—Cathy Anne MacCormac
Attorney, Agent, or Firm—Guy W. Shoup; B. Noël Kivlin

[57] CLAIM

The ornamental design for a printer for computer, as shown.

DESCRIPTION

FIG. 1 is a top, front and right side perspective view of a printer for computer showing our new design; FIG. 2 is a front elevational view thereof; FIG. 3 is a top plan view thereof; FIG. 4 is a rear elevational view thereof; FIG. 5 is a right side elevational view thereof; FIG. 6 is a left side elevational view thereof; and FIG. 7 is a bottom plan view thereof.

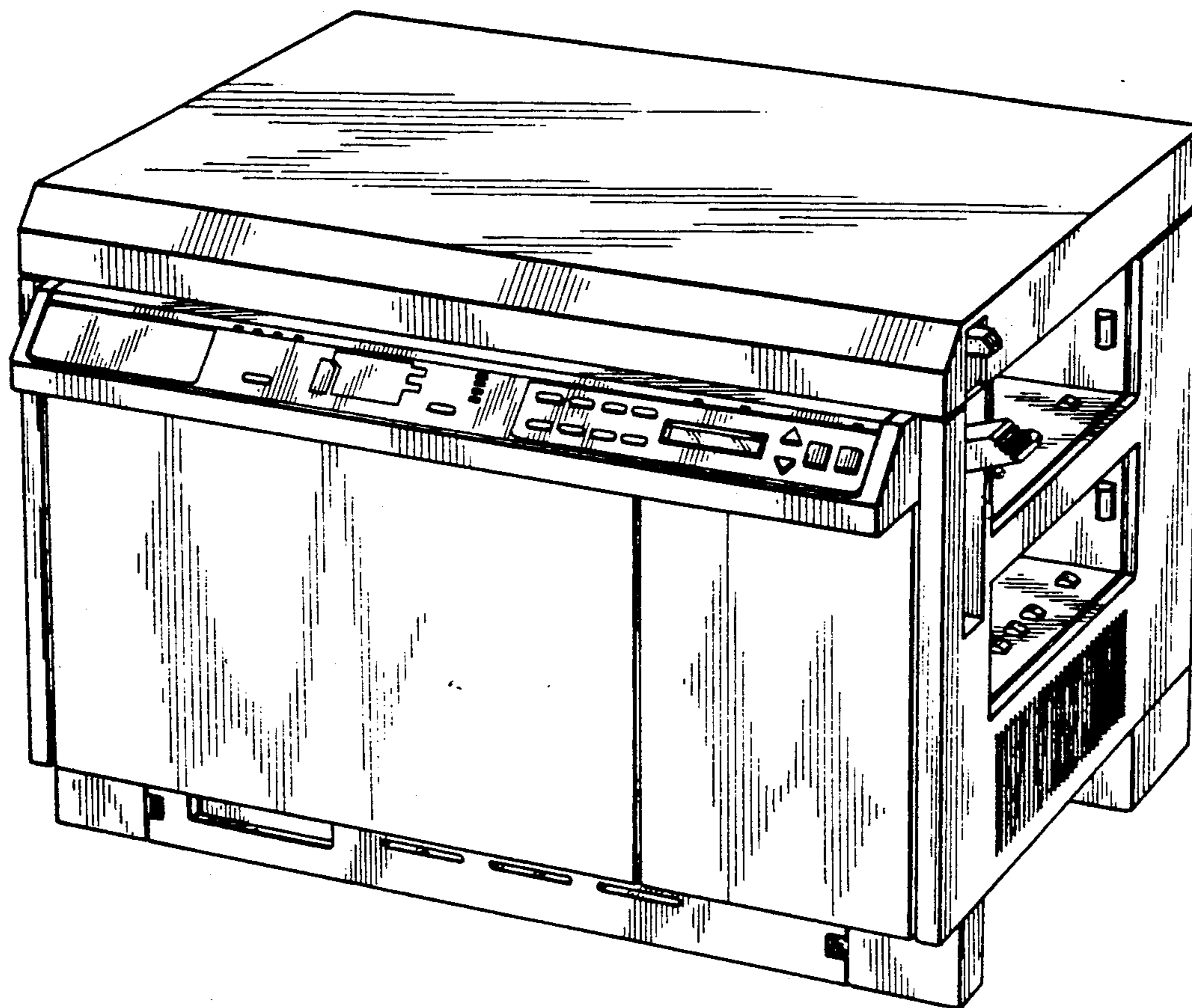


FIG. 1

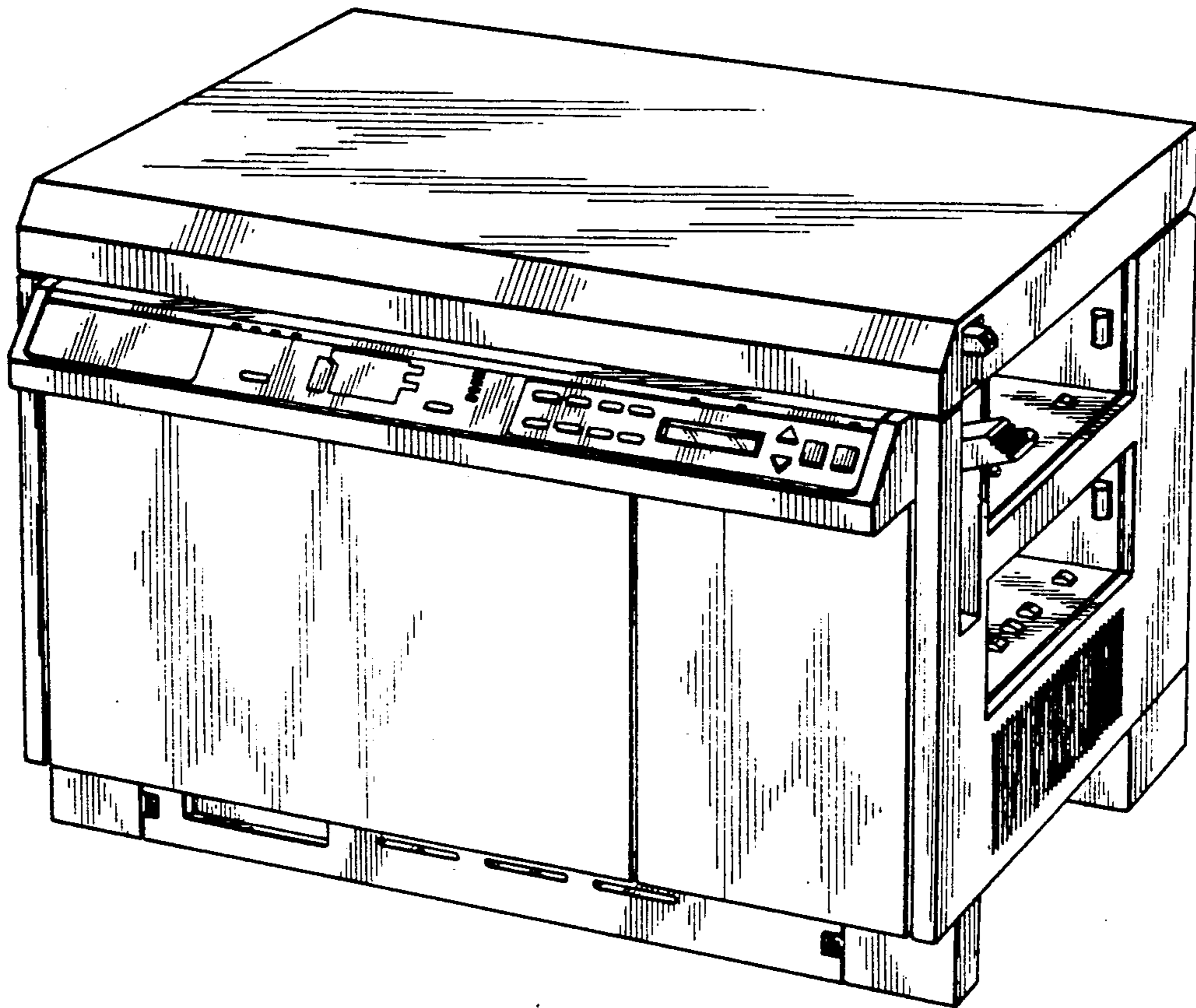


FIG. 2

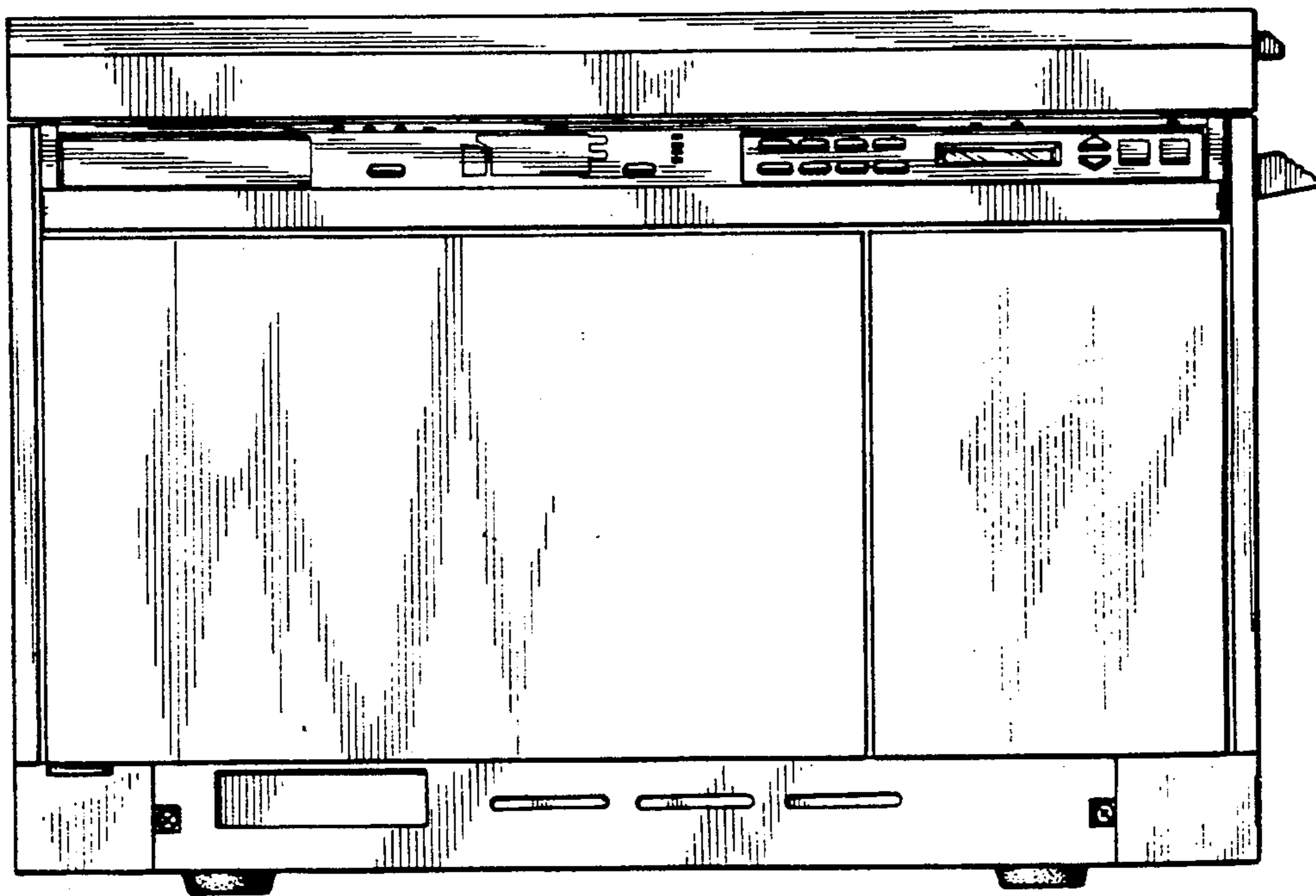


FIG. 3

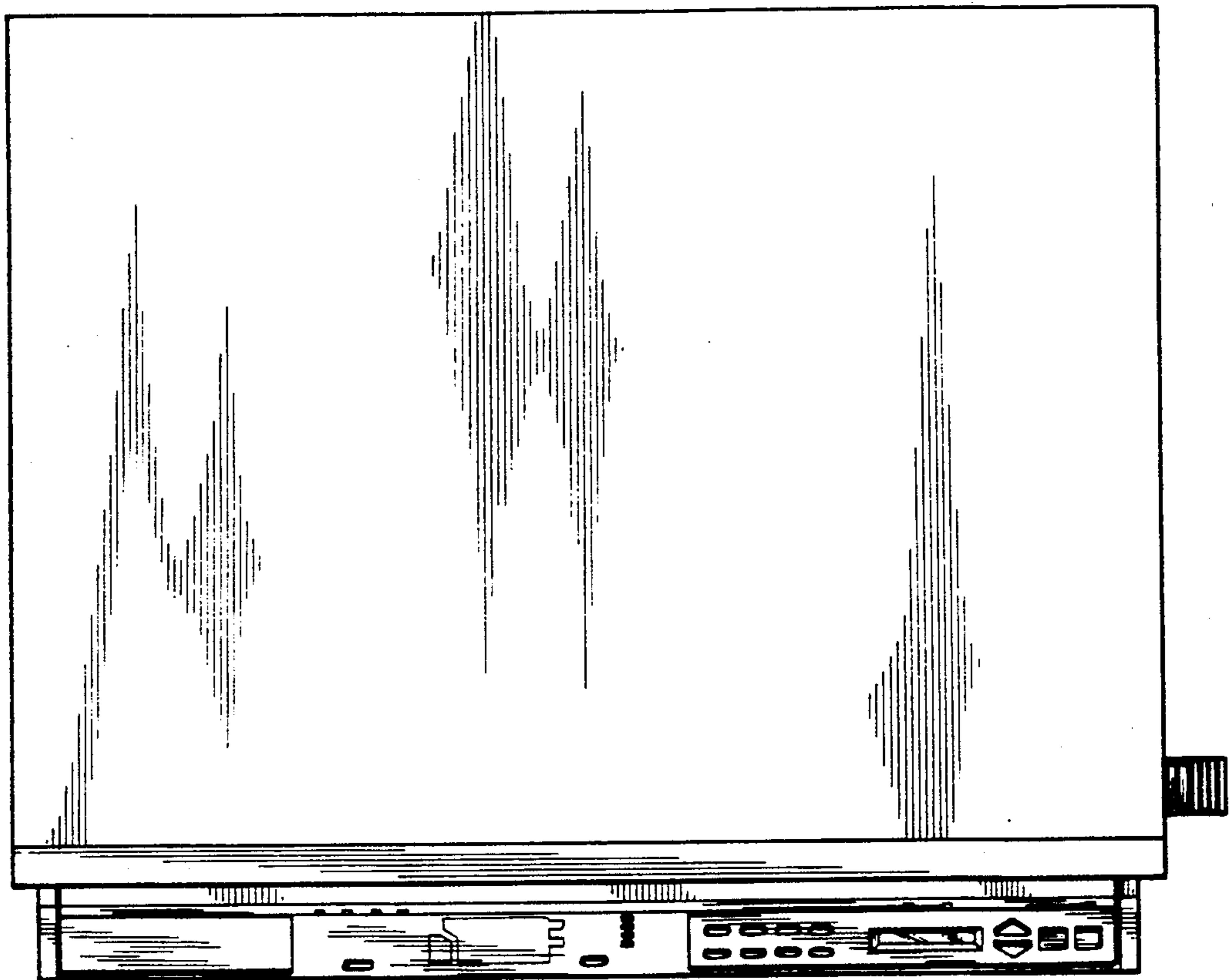


FIG. 4

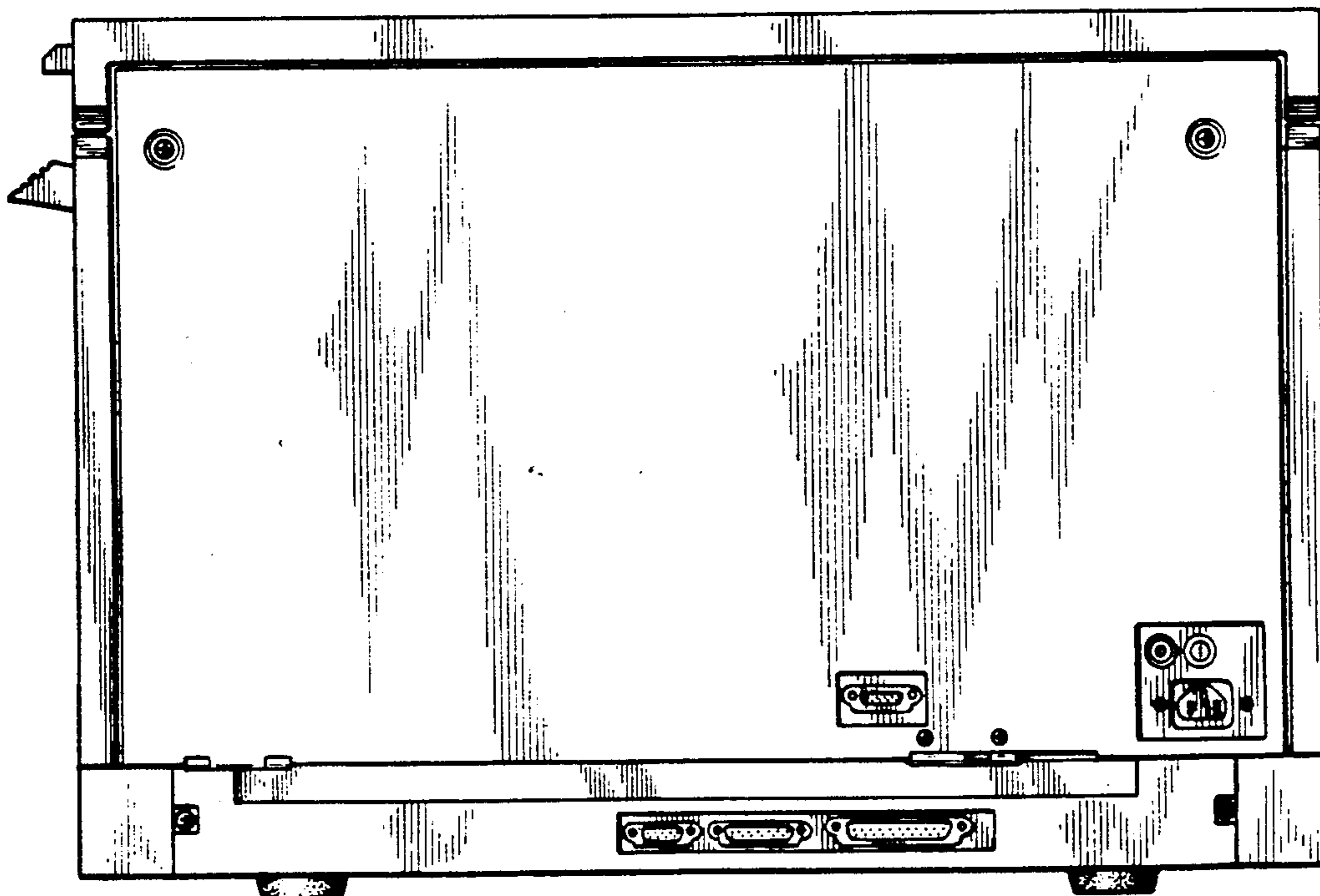


FIG. 5

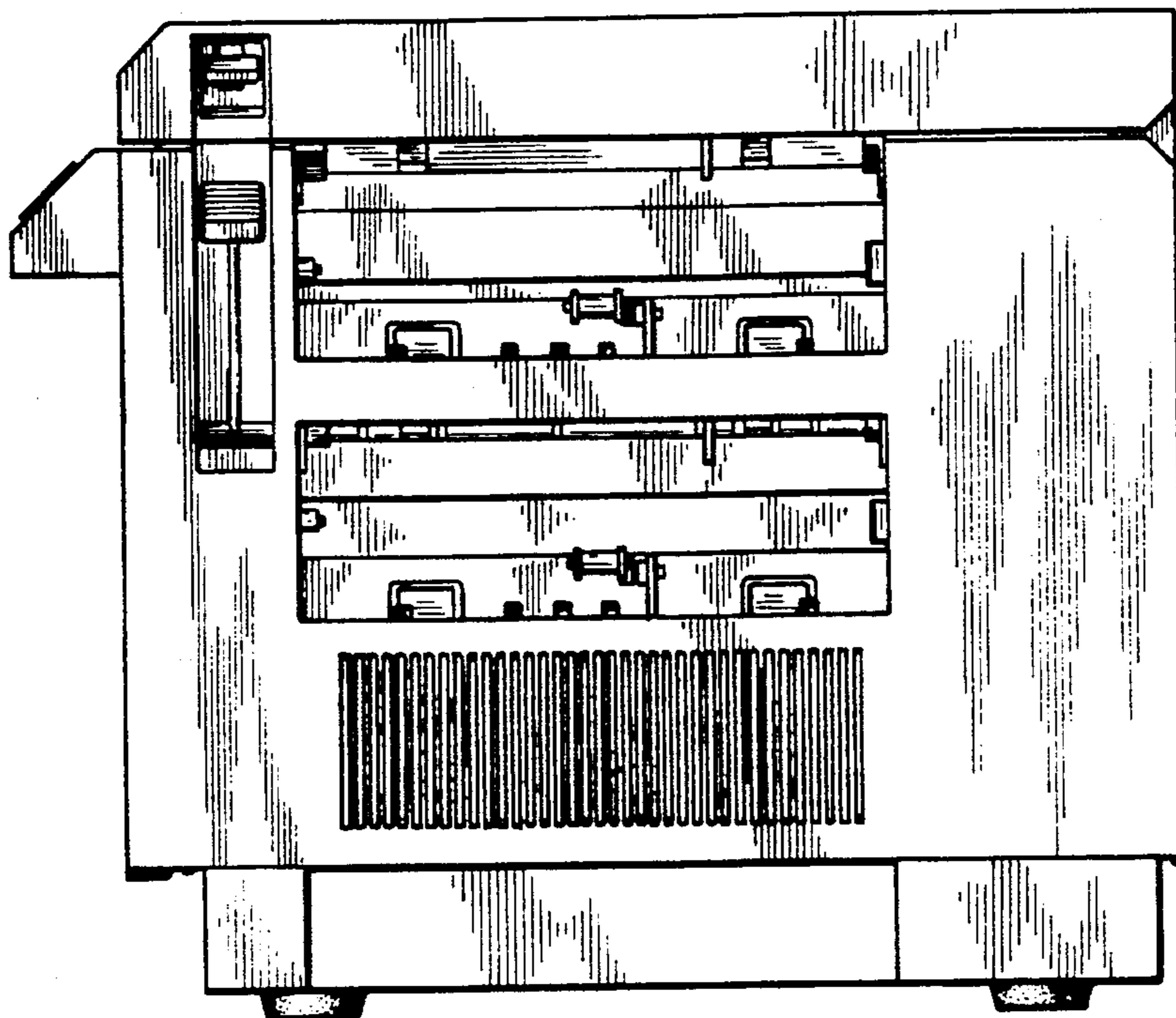


FIG. 6

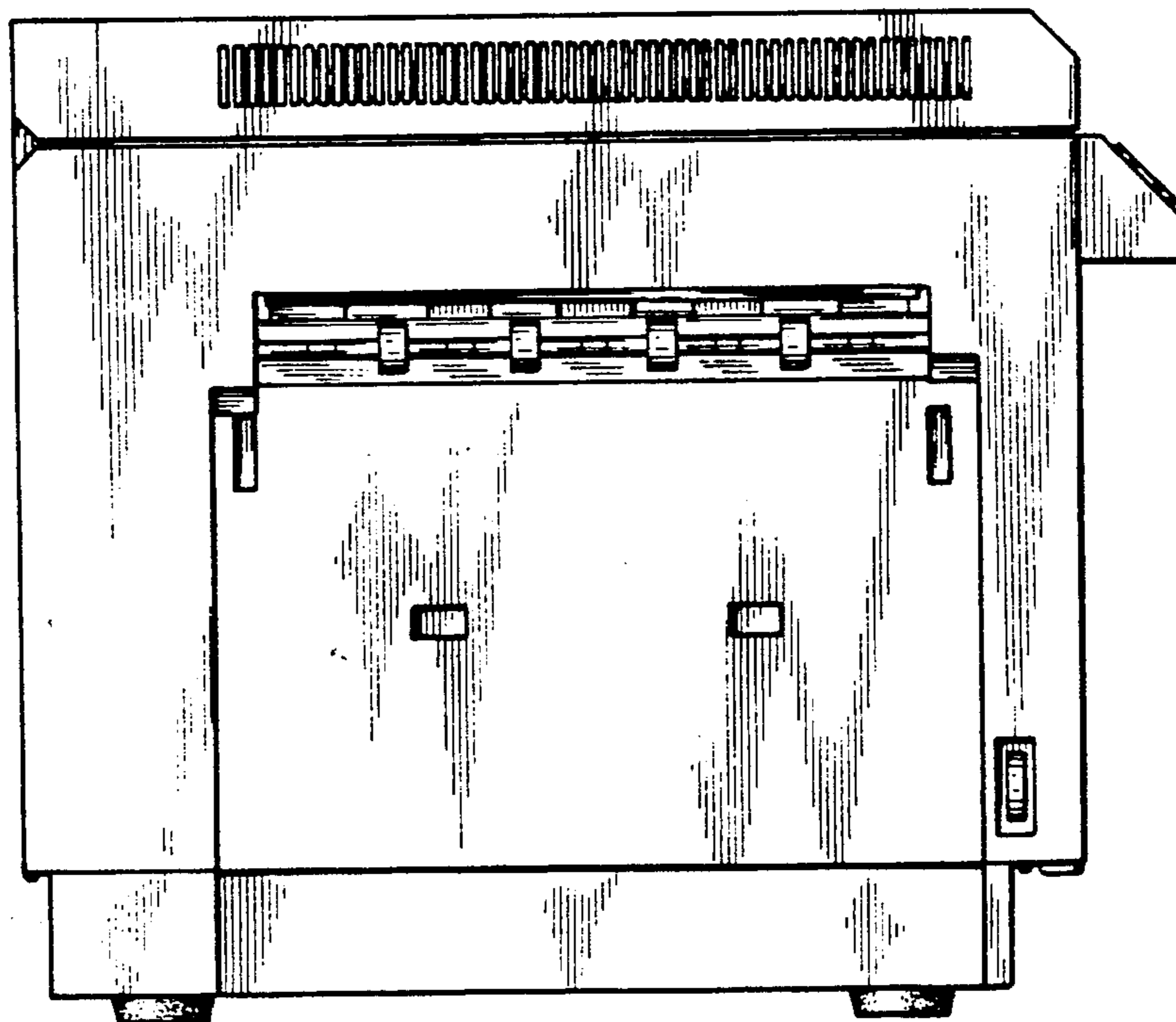


FIG. 7

