



US00D322974S

United States Patent [19]

Mori

[11] Patent Number: **Des. 322,974**

[45] Date of Patent: **** Jan. 7, 1992**

[54] CUTTER

[75] Inventor: **Chuzo Mori, Tokyo, Japan**

[73] Assignee: **Carl Manufacturing Co., Ltd., Tokyo, Japan**

[**] Term: **14 Years**

[21] Appl. No.: **275,035**

[22] Filed: **Nov. 22, 1988**

[52] U.S. Cl. **D15/127**

[58] Field of Search **D15/127, 128, 129, 130, D15/131, 132; 83/560, 620, 859, 879-887**

3,973,459	8/1976	Stowe	D15/127 X
4,175,737	11/1979	Foss .	
4,401,001	8/1983	Gerber et al.	83/881 X
4,509,397	4/1985	Mori et al.	83/560 X

Primary Examiner—Bruce W. Dunkins
Assistant Examiner—Antoine D. Davis
Attorney, Agent, or Firm—Armstrong, Nikaido, Marmelstein, Kubovcik & Murray

[57] CLAIM

The ornamental design for a cutter, as shown and described.

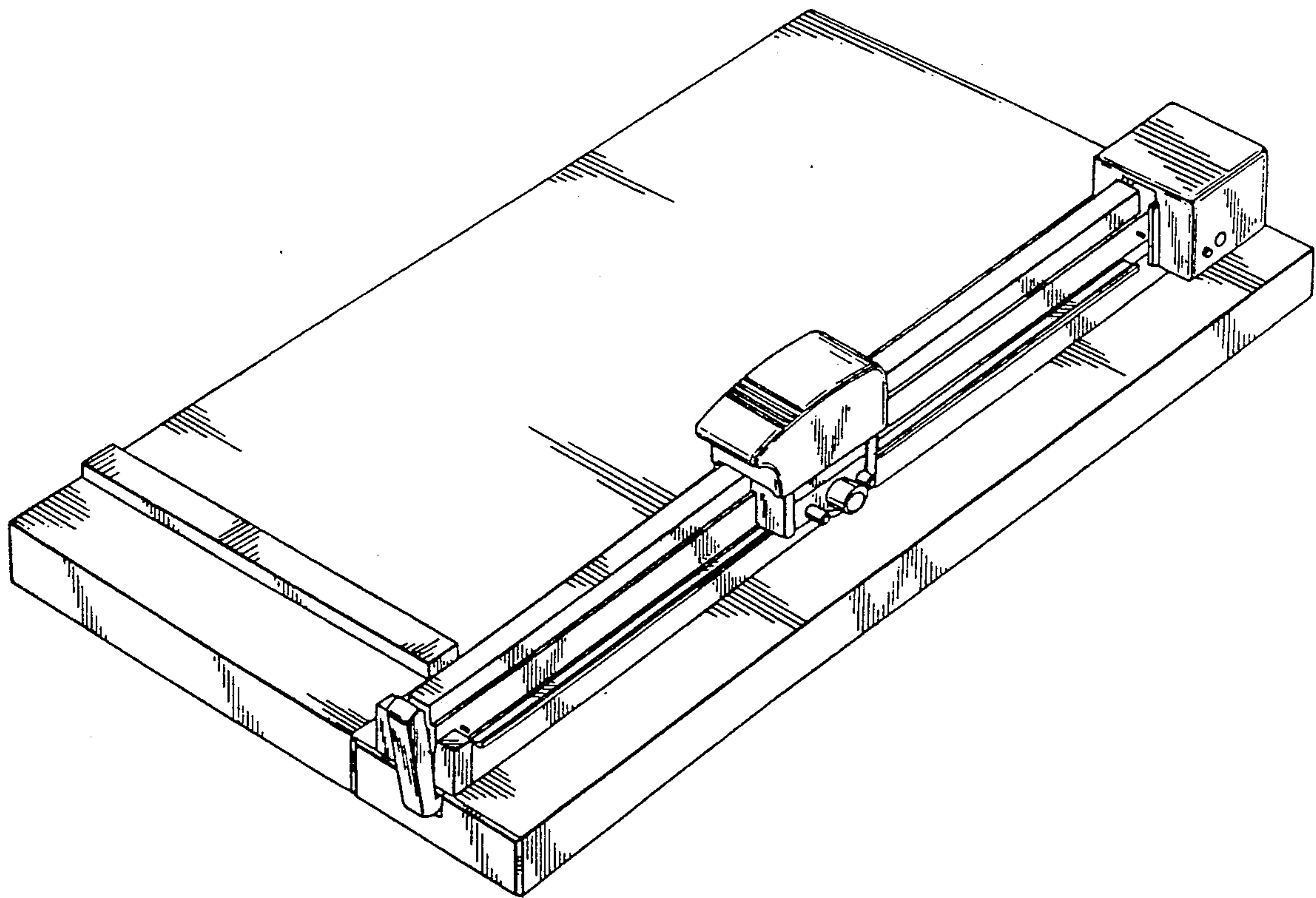
DESCRIPTION

FIG. 1 is a top, front and right side perspective view of a cutter showing my new design;
FIG. 2 is a top plan view;
FIG. 3 is a right side elevational view;
FIG. 4 is an inverted rear elevational view;
FIG. 5 is a front elevational view;
FIG. 6 is a bottom plan view;
FIG. 7 is an inverted left side elevational view; and
FIG. 8 is a top, front and right side perspective view thereof, with the cutting arm shown in an alternate position.

[56] References Cited

U.S. PATENT DOCUMENTS

237,280	2/1881	Hoopes et al. .	
D. 276,528	11/1984	Shaffer	D15/127
614,407	11/1898	Morrison et al. .	
791,793	6/1905	Johnson .	
1,306,261	6/1919	Klein .	
1,732,148	10/1929	Barrett .	
2,013,893	9/1935	Matthews .	
2,109,889	3/1938	Morin .	
2,531,149	11/1950	Melchor .	



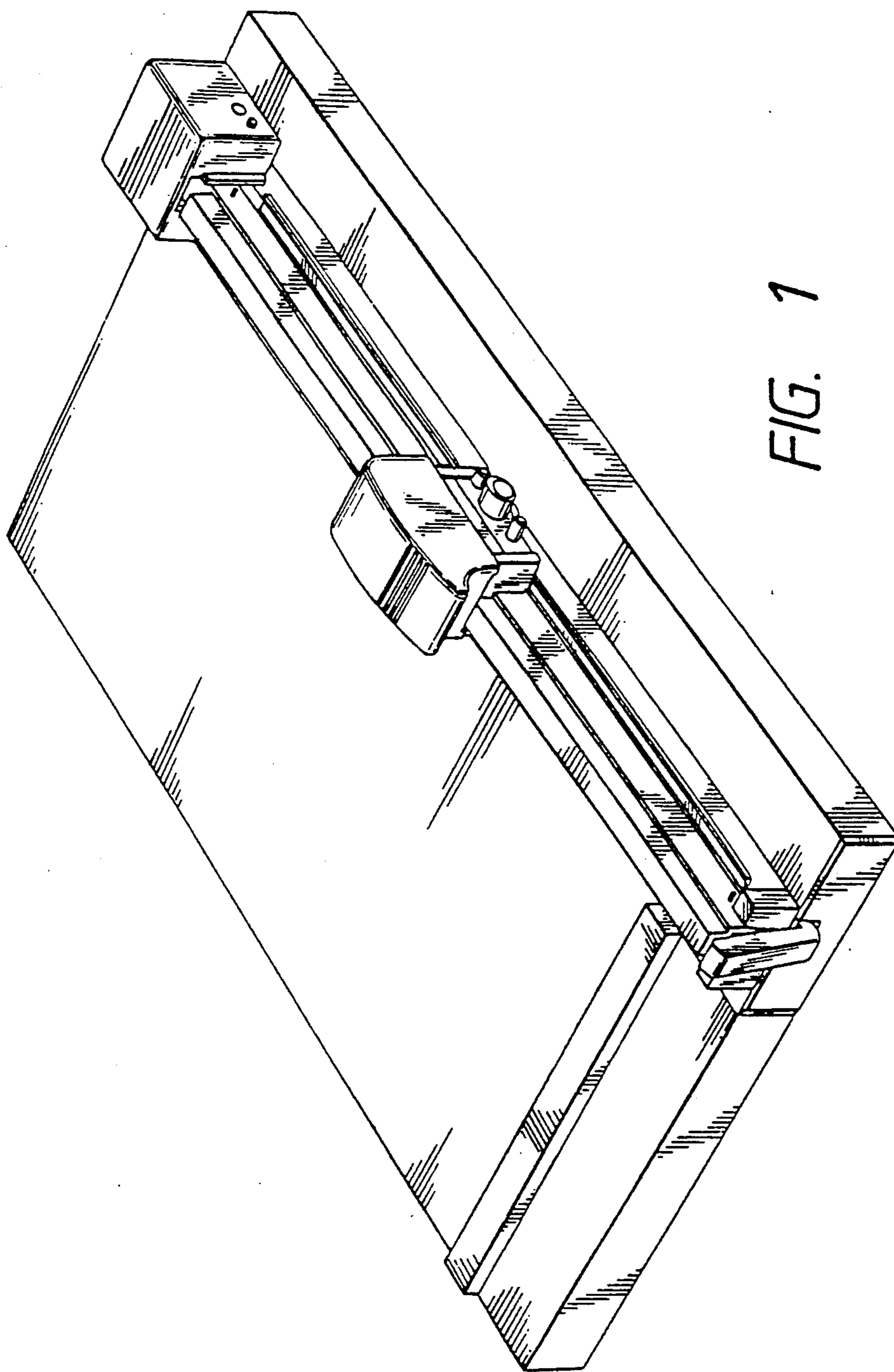


FIG. 1

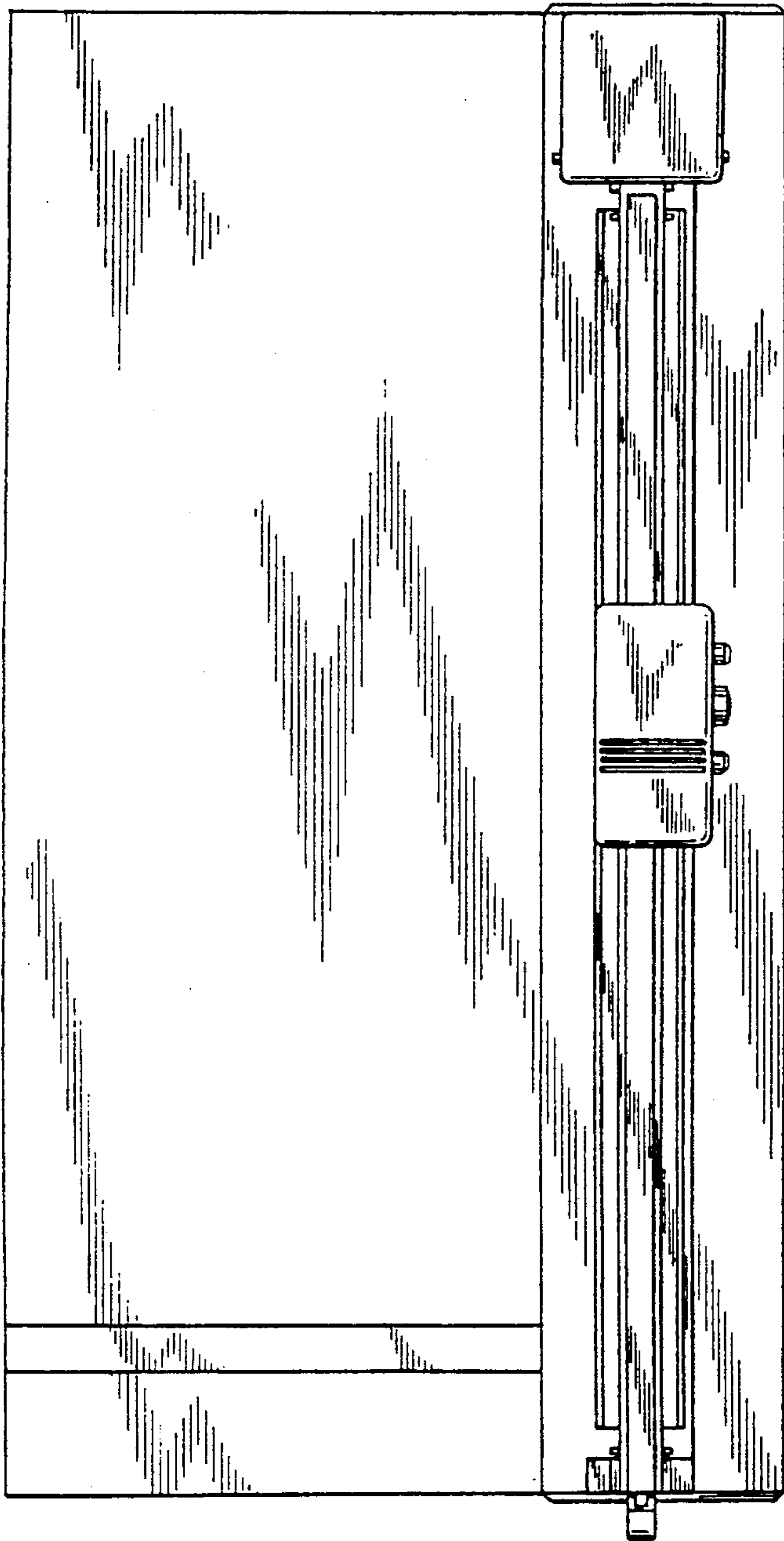


FIG. 2

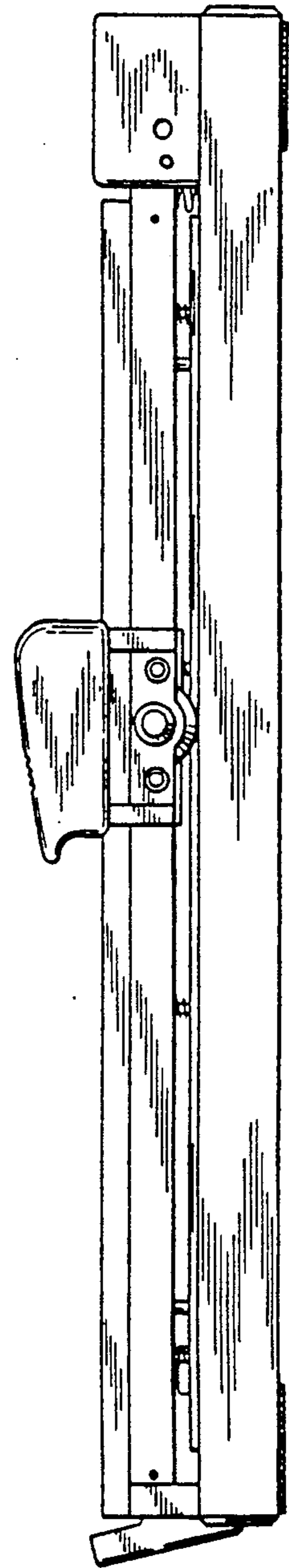


FIG. 3

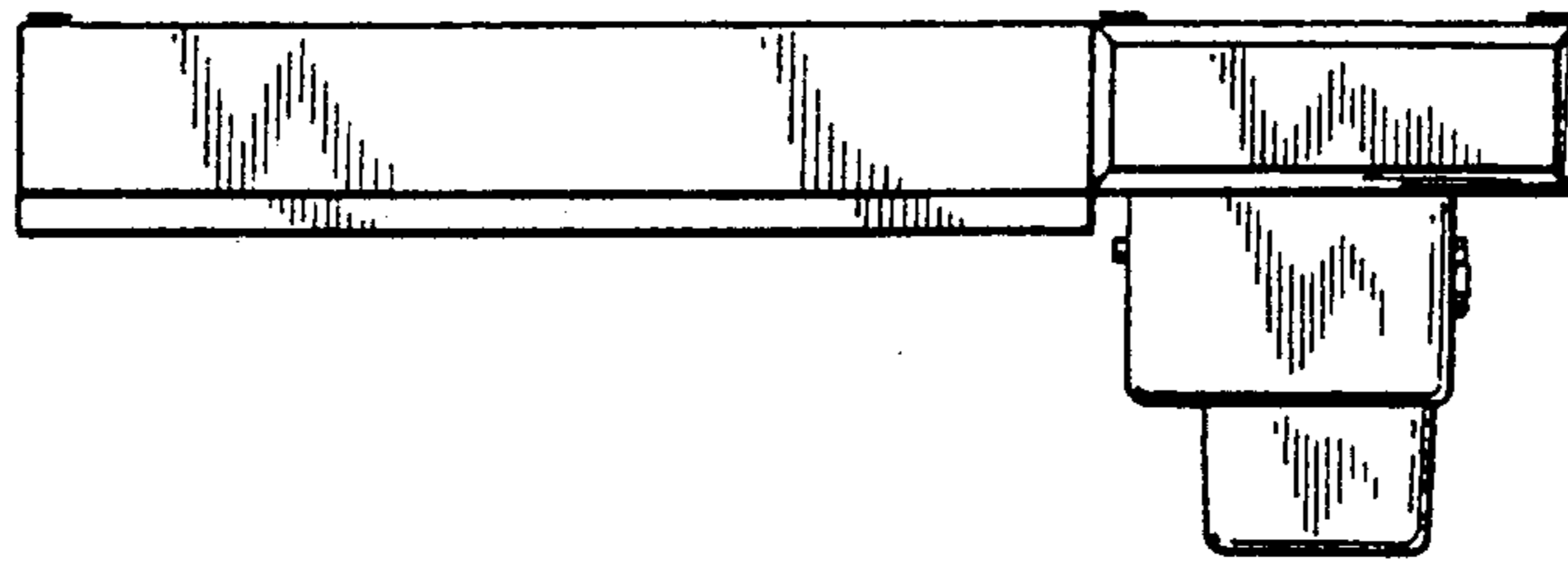


FIG. 4

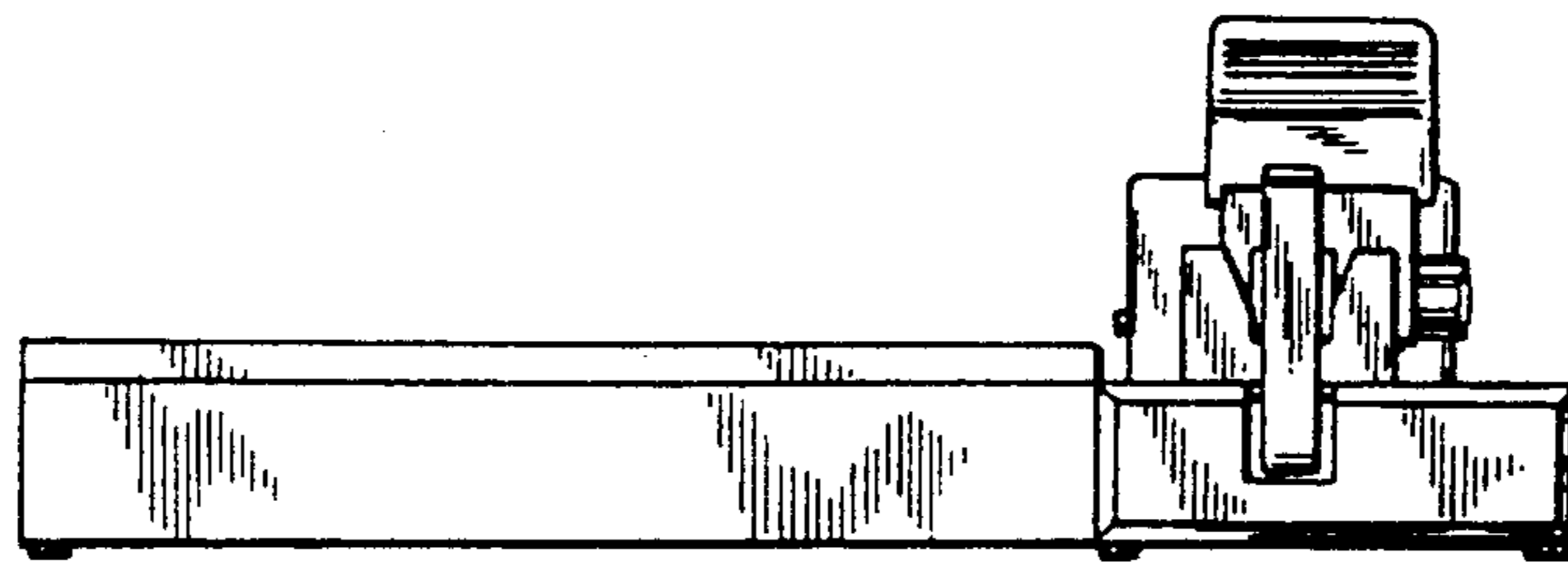


FIG. 5

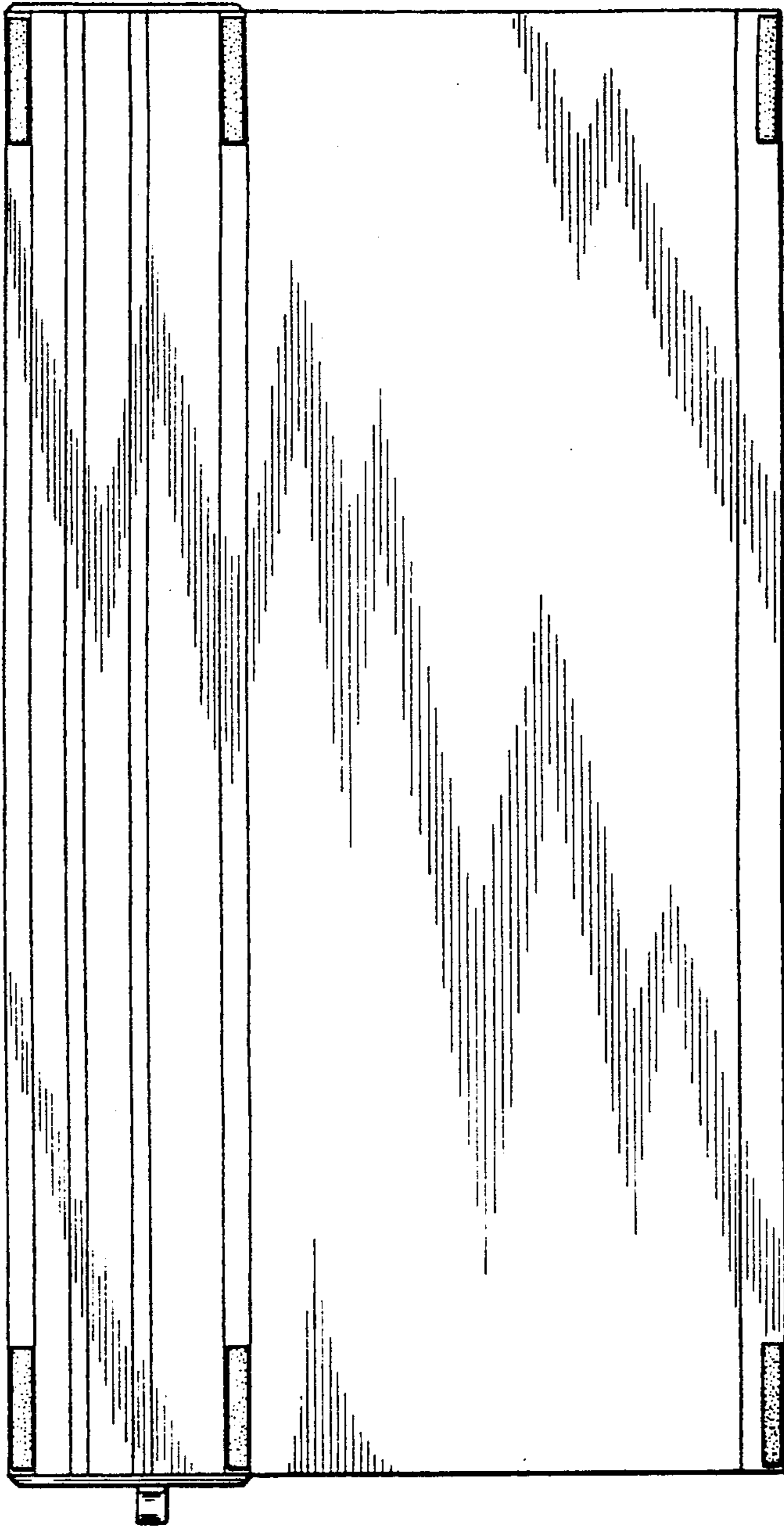


FIG. 6

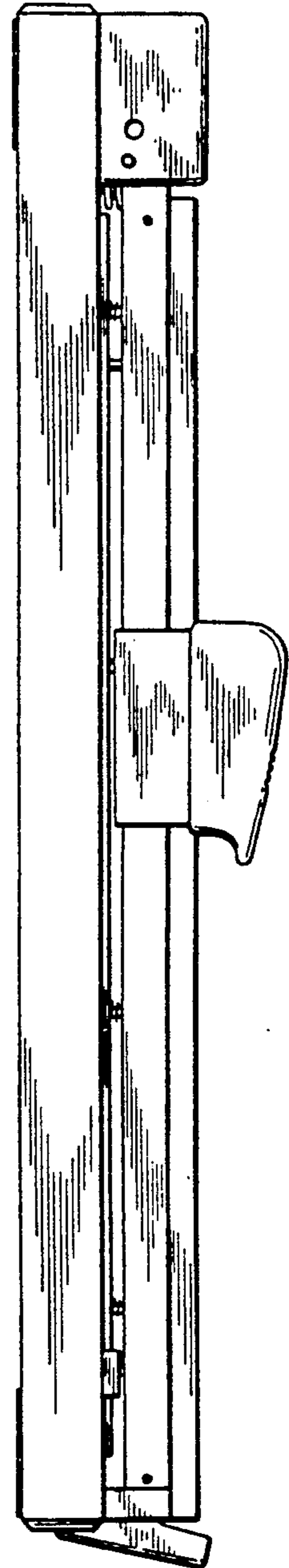


FIG. 7

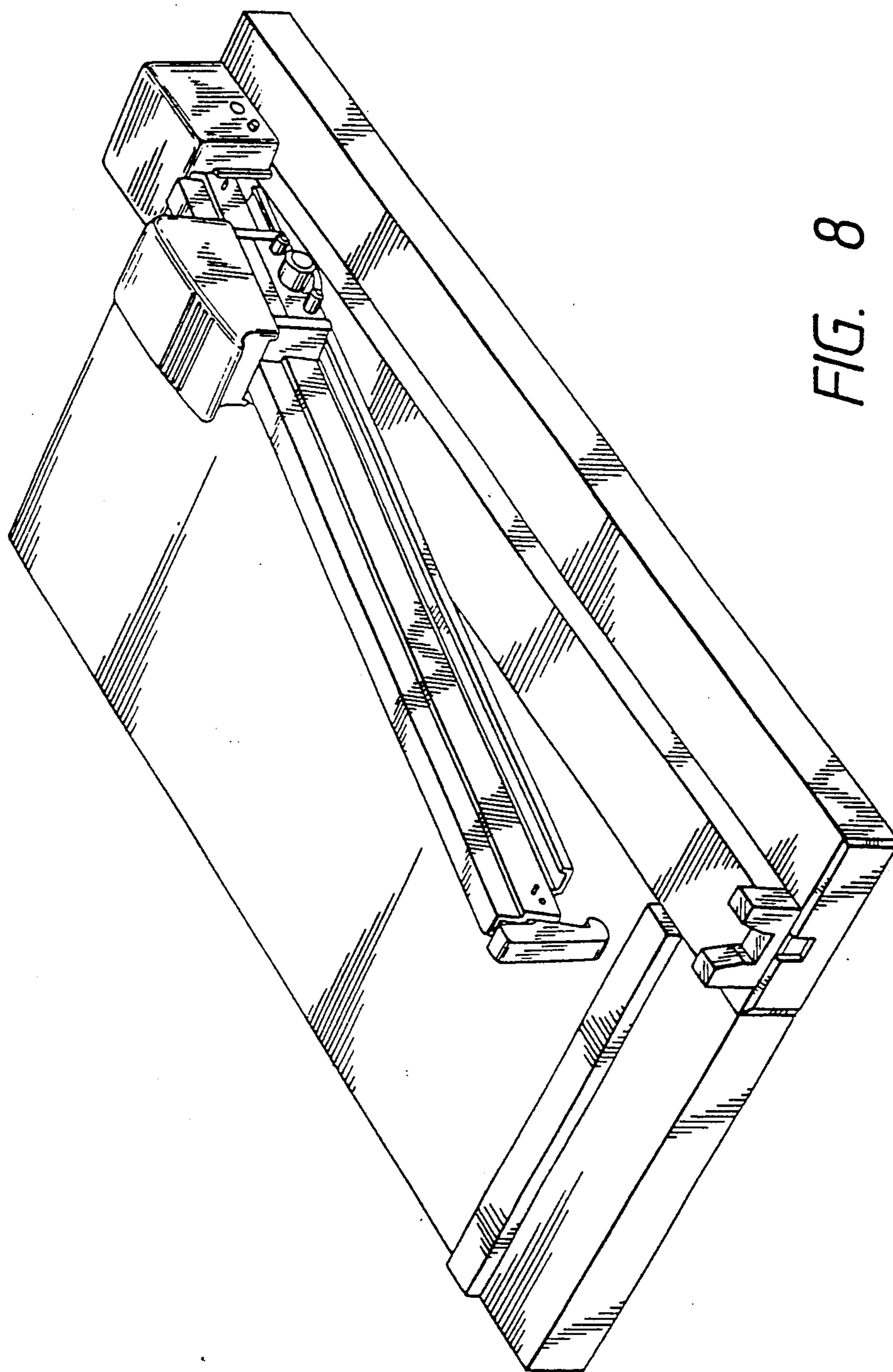


FIG. 8