



US00D322973S

United States Patent [19]

St. Ama

[11] Patent Number: **Des. 322,973**

[45] Date of Patent: **** Jan. 7, 1992**

[54] **MOBILE CONCRETE BATCH PLANT**

[75] Inventor: **Bobby D. St. Ama, Early, Tex.**

[73] Assignee: **Brownwood Ross Co. Inc.,
Brownwood, Tex.**

[**] Term: **14 Years**

[21] Appl. No.: **428,669**

[22] Filed: **Oct. 30, 1989**

[52] U.S. Cl. **D15/19**

[58] Field of Search **D15/10, 19; D25/3;
366/14, 18, 25, 27, 37, 44, 45; 414/21, 332**

[56] **References Cited**

U.S. PATENT DOCUMENTS

- D. 156,414 12/1949 Fleischmann D15/19
- D. 187,717 4/1960 Kayser D15/19
- D. 255,355 6/1980 Mize D15/19

- D. 294,642 3/1988 Bostrom D25/3
- 3,872,980 3/1975 Hagan 214/2
- 3,998,436 12/1976 Allen et al. 366/18
- 4,579,496 4/1986 Gerlach 414/21
- 4,792,234 12/1988 Doherty 366/14

Primary Examiner—Bernard Ansher

Assistant Examiner—Sandra Morris

[57] **CLAIM**

The ornamental design for a mobile concrete batch plant, as shown and described.

DESCRIPTION

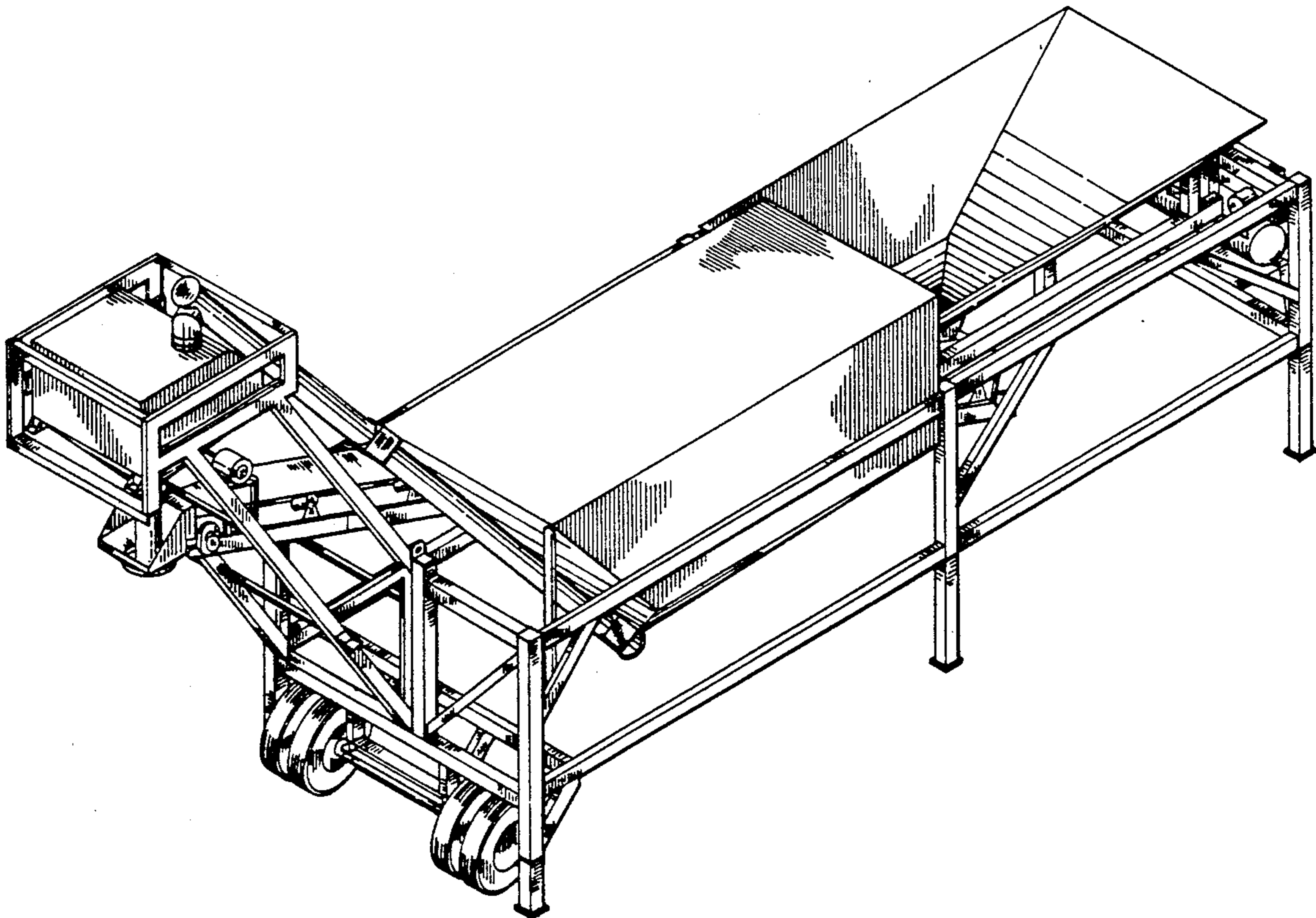
FIG. 1 is a right side view of a mobile concrete batch plant showing my new design;

FIG. 2 is a front end view;

FIG. 3 is a rear end view;

FIG. 4 is a right side view thereof, shown in a travel position;

FIG. 5 is a top perspective view thereof.



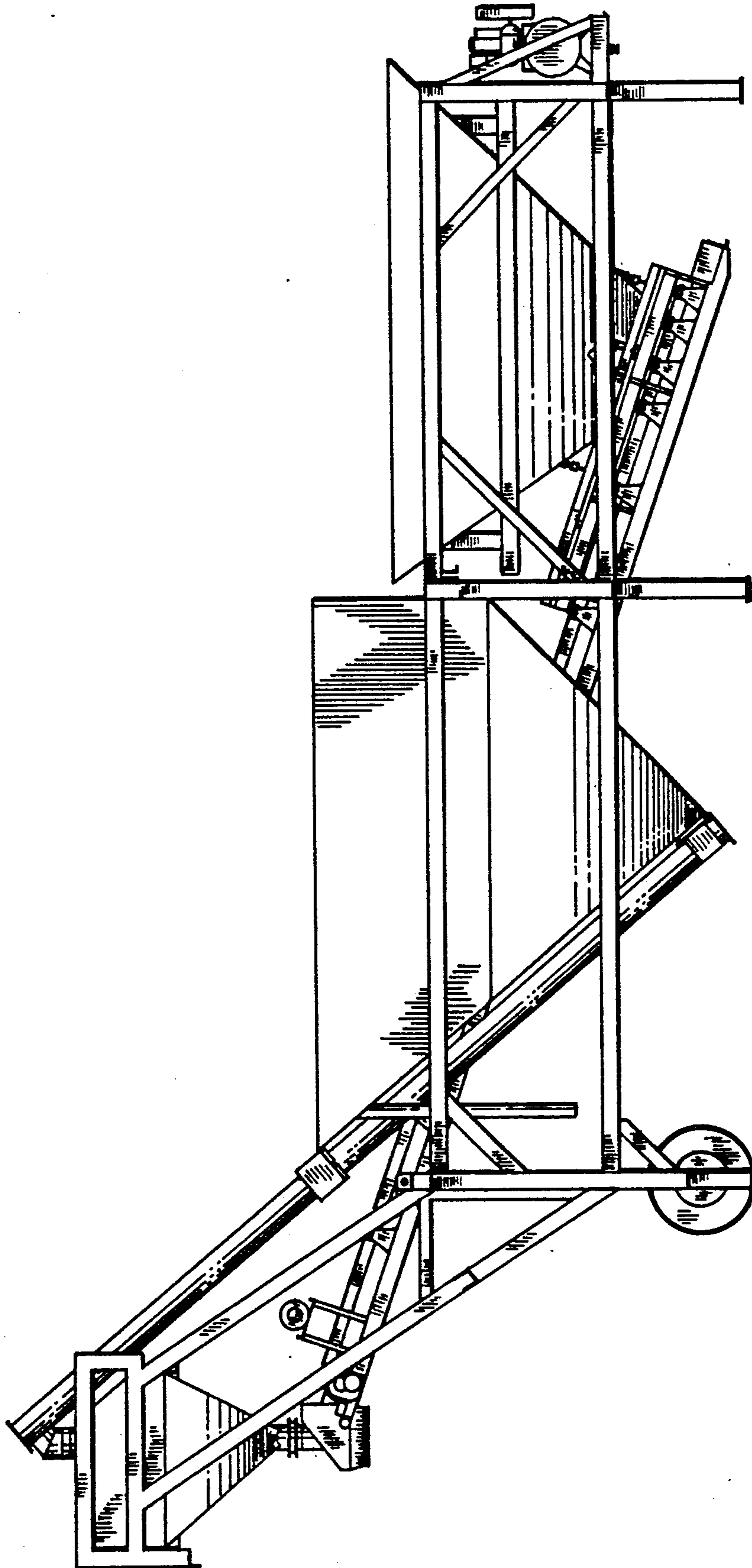


FIG. 1

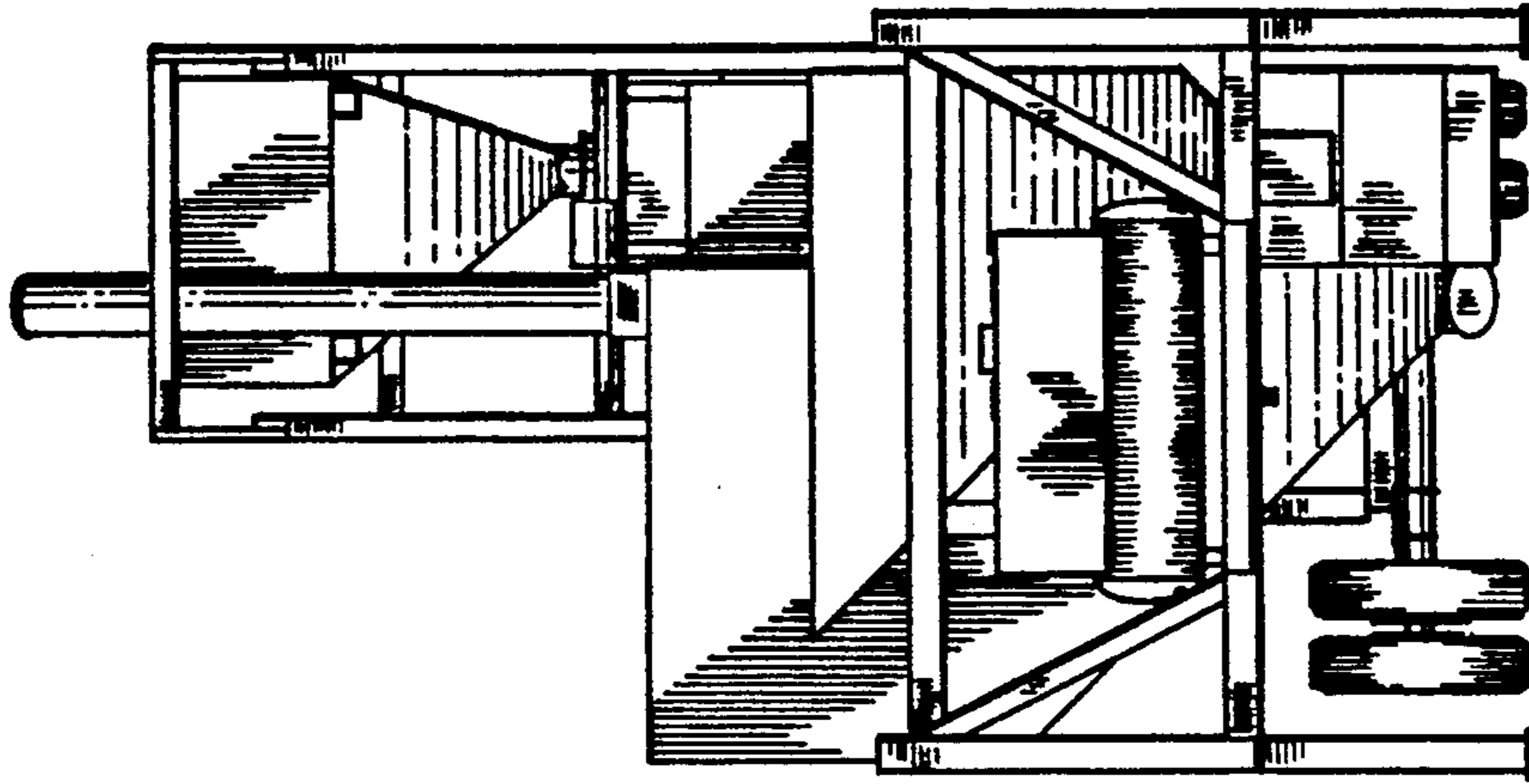


FIG. 3

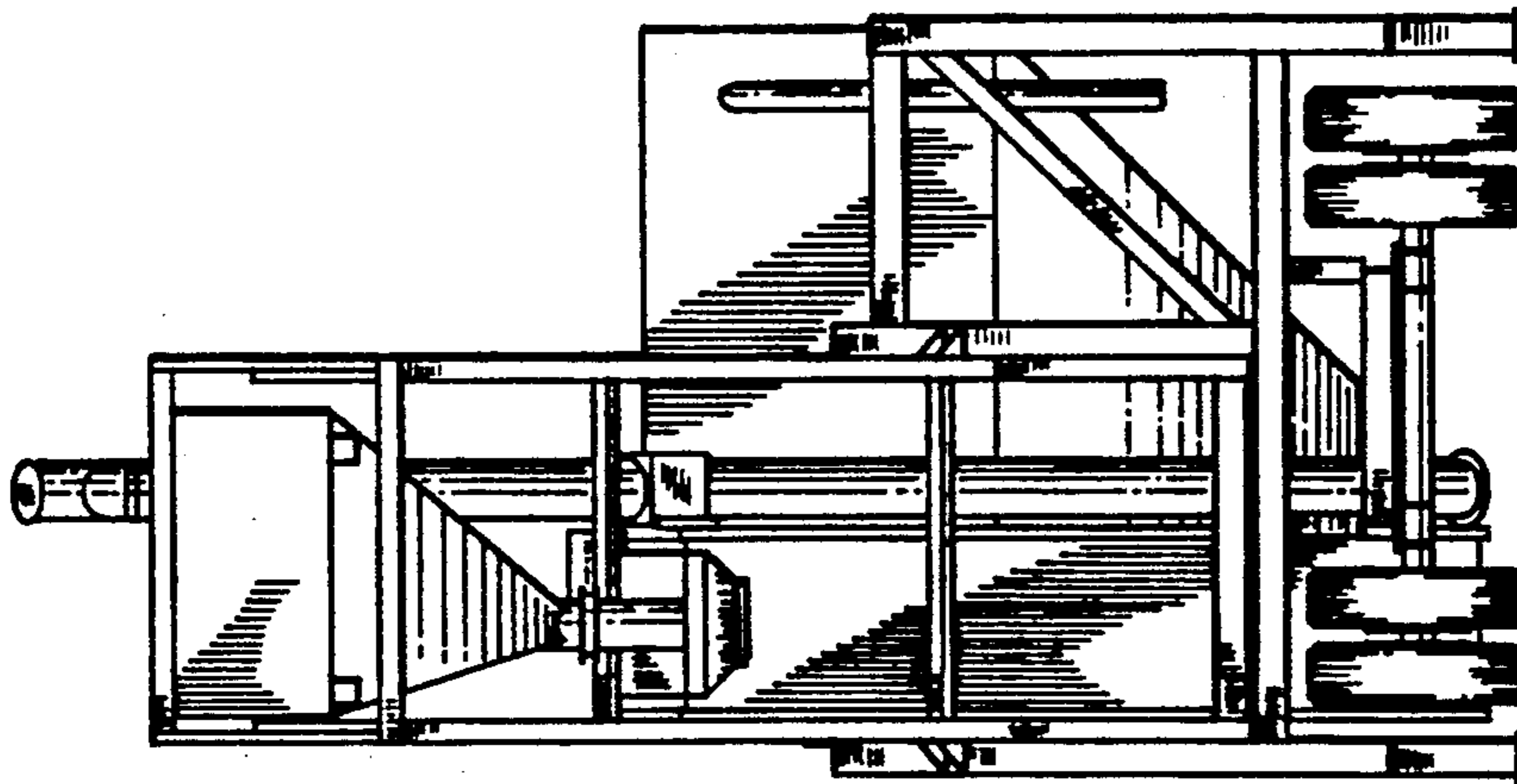


FIG. 2

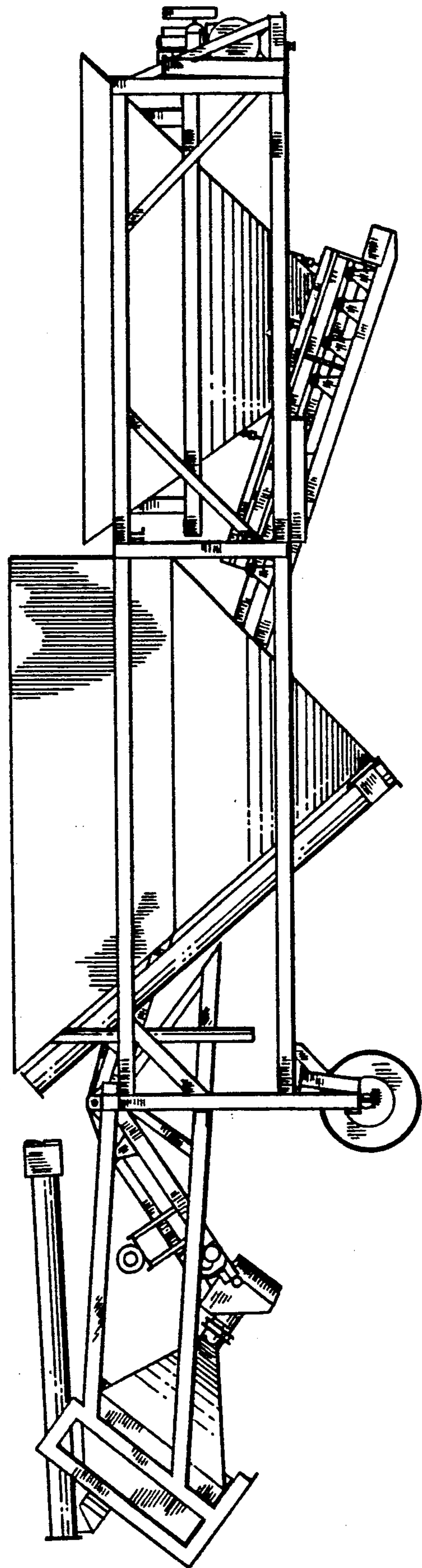


FIG. 4

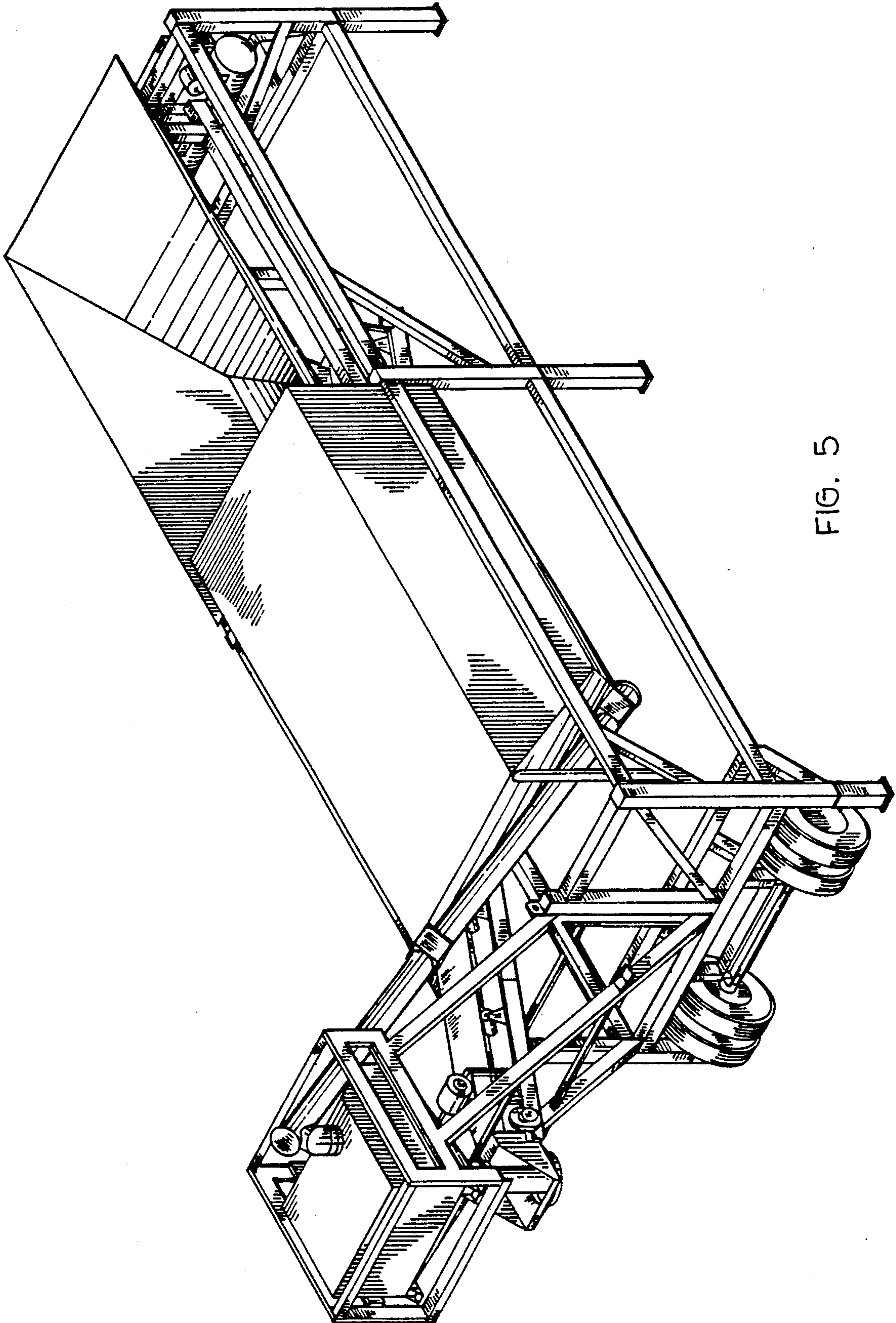


FIG. 5