



US00D322971S

United States Patent [19]

[11] Patent Number: **Des. 322,971**

Tuggle et al.

[45] Date of Patent: **** Jan. 7, 1992**

[54] GAS BLOWER POWER HEAD

[75] Inventors: **Lloyd H. Tuggle; Michael Shoup,** both of Shreveport; **Jeffrey G. Sadler,** Greenwood, all of La.

[73] Assignee: **White Consolidated Industries,** Cleveland, Ohio

[**] Term: **14 Years**

[21] Appl. No.: **448,146**

[22] Filed: **Dec. 8, 1989**

[52] U.S. Cl. **D15/13**

[58] Field of Search **D15/10-13;**
D32/15; 30/DIG. 5, 276; 56/233, 255, 320.2;
239/127, 150, 304, 683-687, 754

[56] References Cited

U.S. PATENT DOCUMENTS

D. 297,274	8/1988	Komiya et al.	D32/15
D. 299,571	1/1989	Kiyooka et al.	D32/15
D. 303,671	9/1989	Kiyooka et al.	D15/10
D. 308,210	5/1990	Kiyooka et al.	D15/10
4,451,983	6/1984	Johnson et al.	30/276

OTHER PUBLICATIONS

Weed Eater 1986 Cat. p. 8, model 960, bottom.
Toro Catalog 1983 p. 25, model 30940, bottom.

Primary Examiner—Bernard Ansher
Assistant Examiner—Sandra Morris
Attorney, Agent, or Firm—Hubbard, Thurman, Tucker & Harris

[57] CLAIM

The ornamental design for a gas blower power head, as shown and described.

DESCRIPTION

FIG. 1 is a perspective view of a gas blower power head, showing our new design;

FIG. 2 is a left side perspective view of the power head; FIG. 3 is a front top perspective view of the power head;

FIG. 4 is a right side perspective view of the power head;

FIG. 5 is a rear bottom perspective view of the power head;

FIG. 6 is a top perspective view of the power head; FIG. 7 is a bottom perspective view of the power head;

FIG. 8 is a perspective view of a second embodiment of the design in FIG. 1;

FIG. 9 is a left side perspective view of the power head of FIG. 8;

FIG. 10 is a front top perspective view of the power head of FIG. 8;

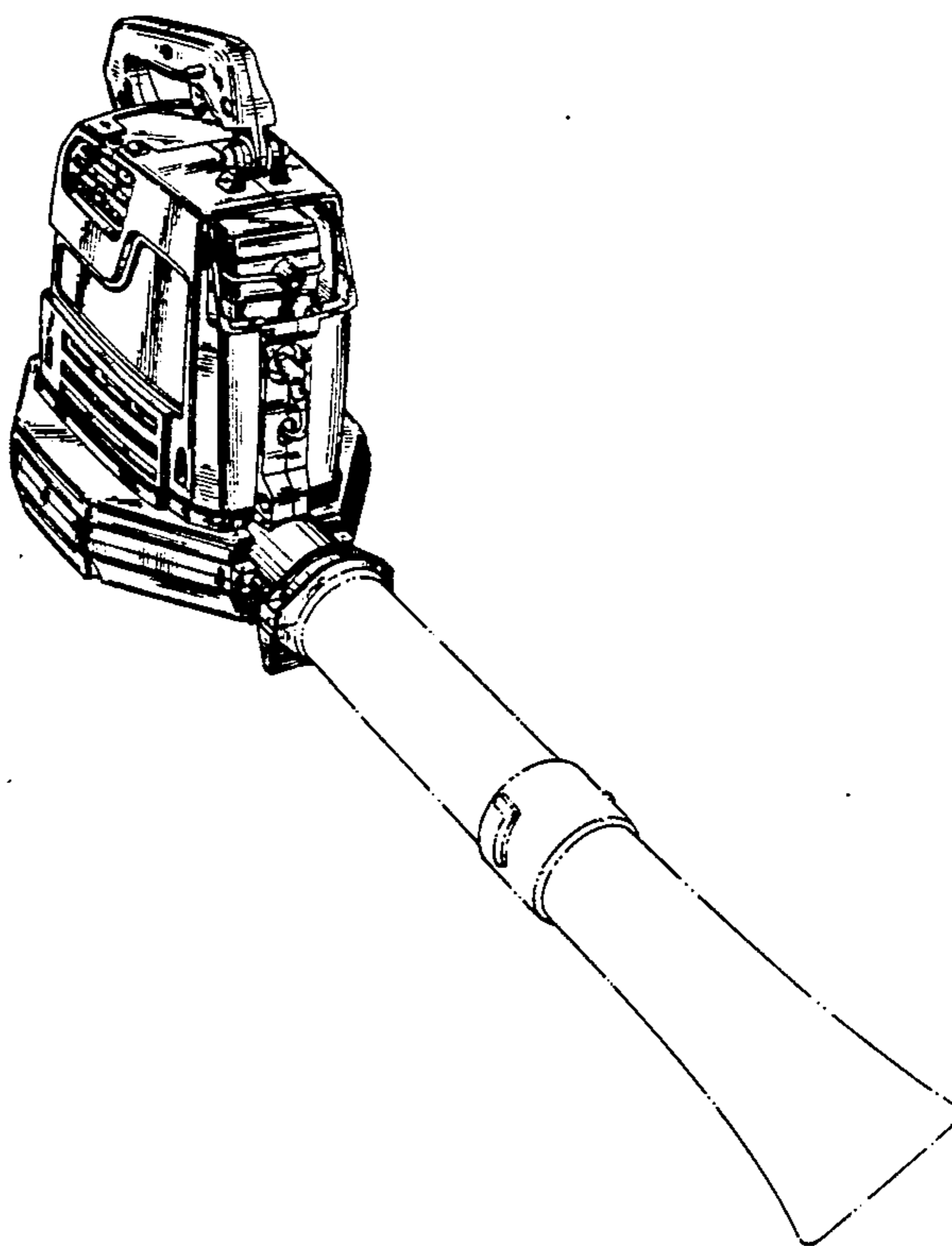
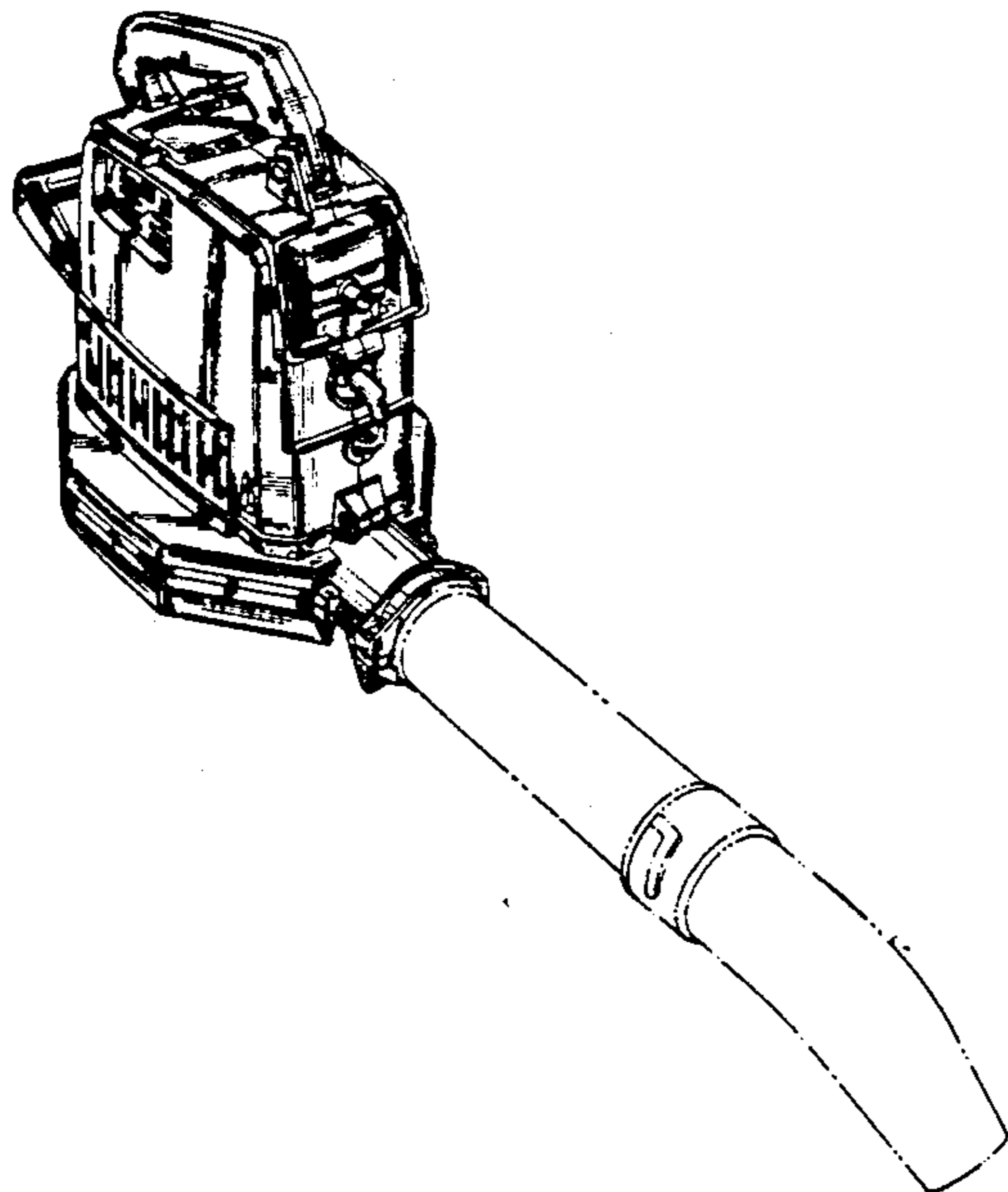
FIG. 11 is a right side perspective view of the power head of FIG. 8;

FIG. 12 is a rear bottom perspective view of the power head of FIG. 8;

FIG. 13 is a top perspective view of the power head of FIG. 8; and

FIG. 14 is a bottom perspective view of the power head of FIG. 8.

The blower tube shown in broken lines in FIGS. 1 and 8 is for illustrative purposes only, and forms no part of the claimed design.



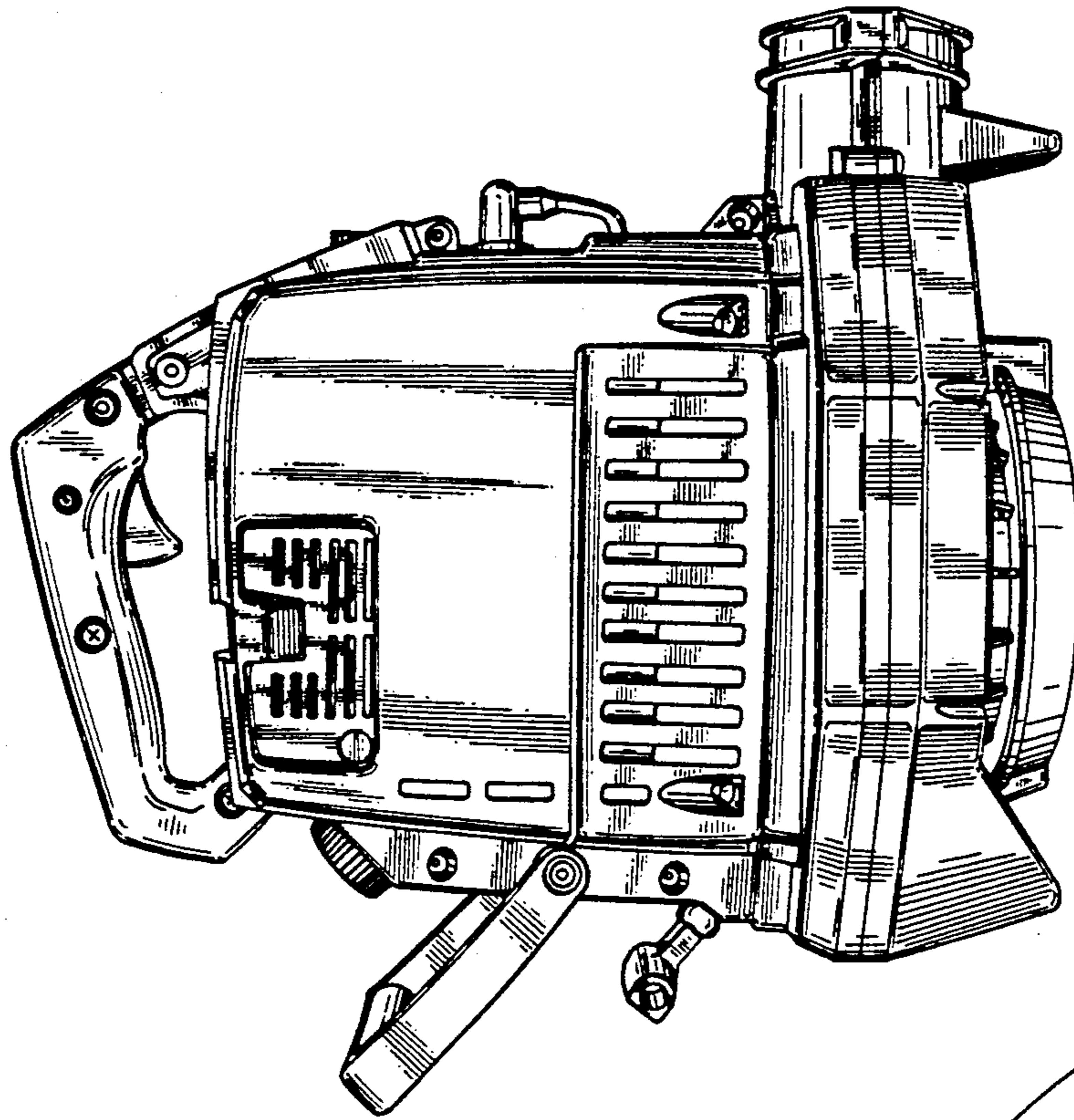


FIG. 2

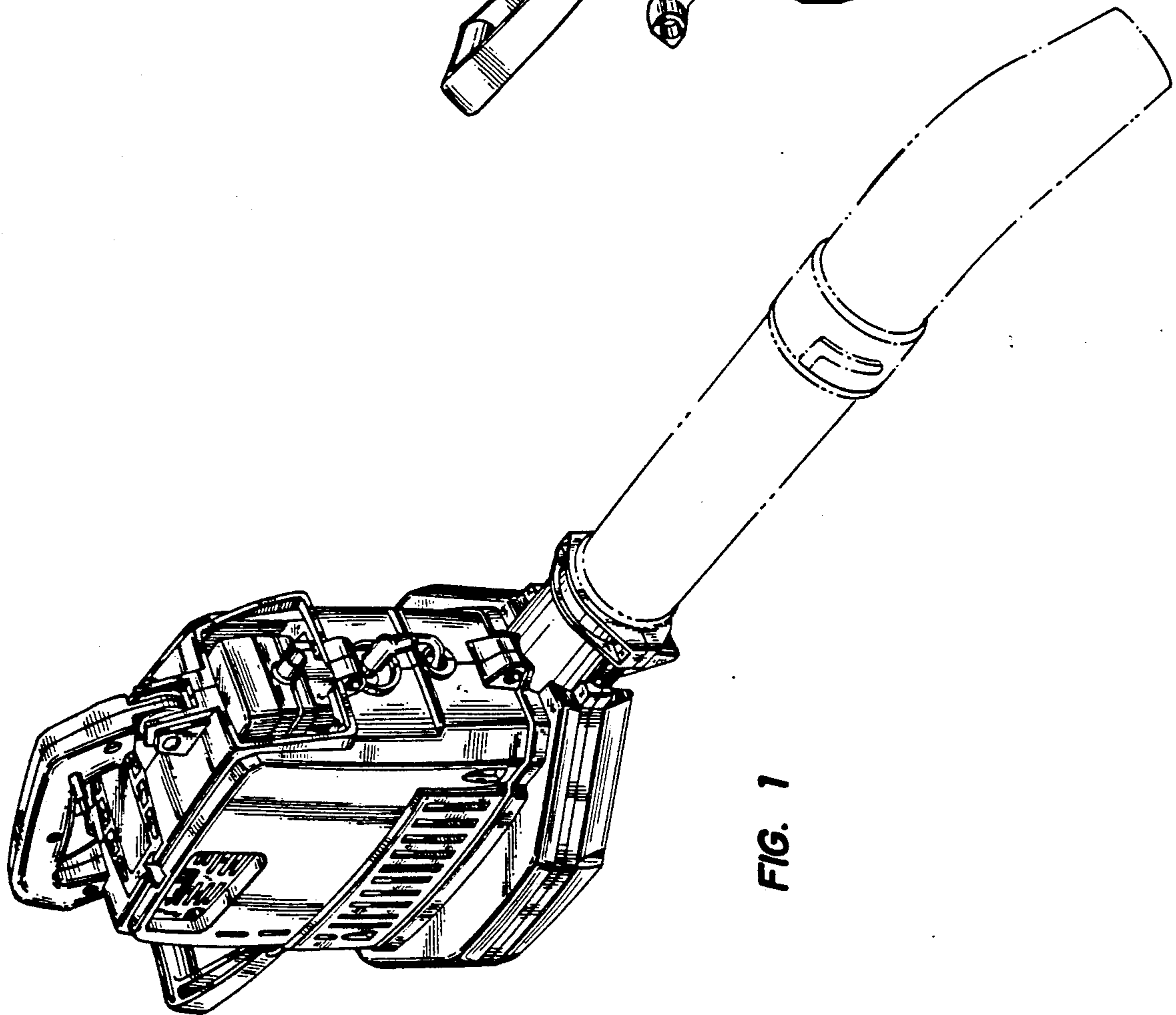


FIG. 1

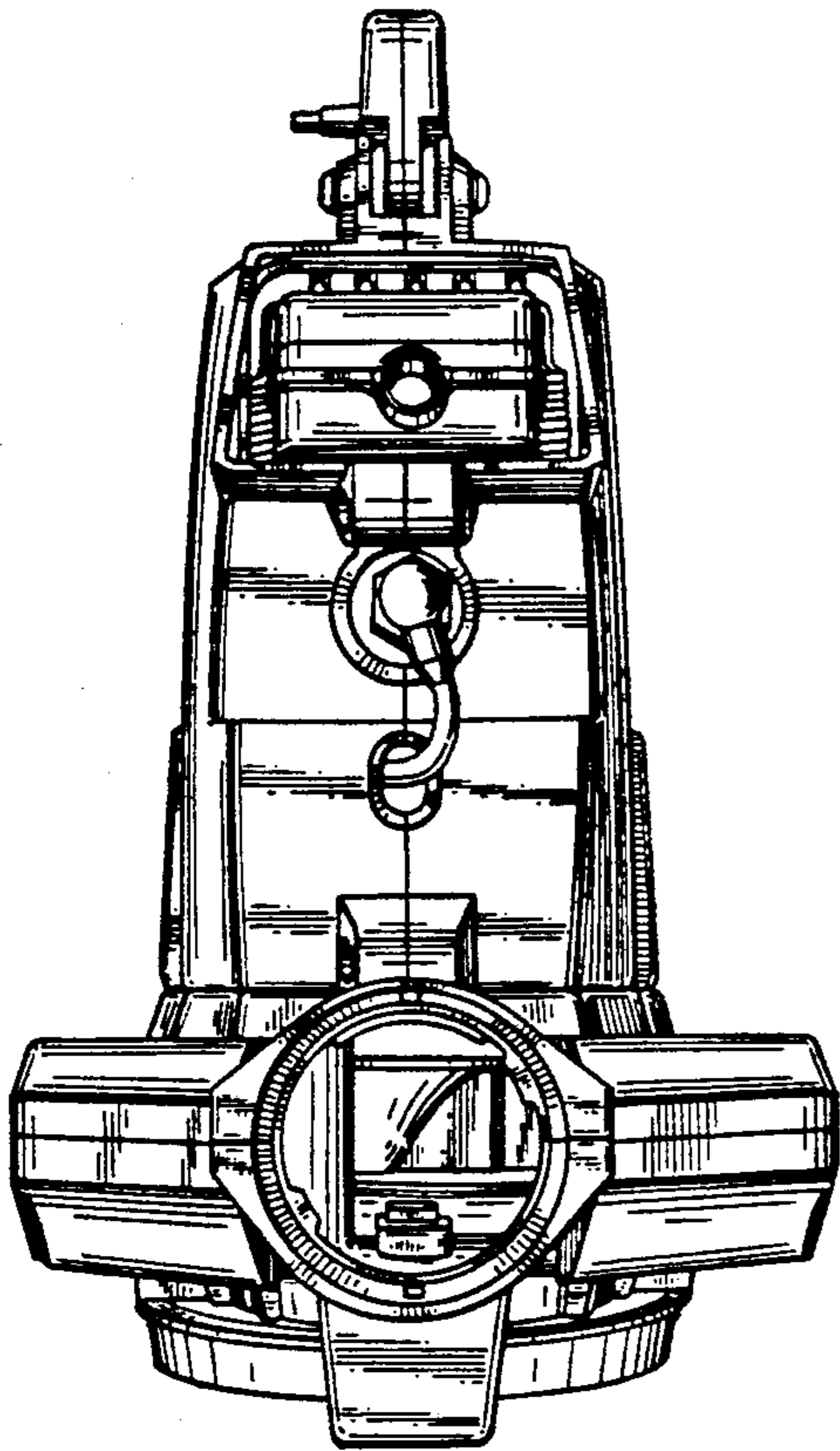


FIG. 3

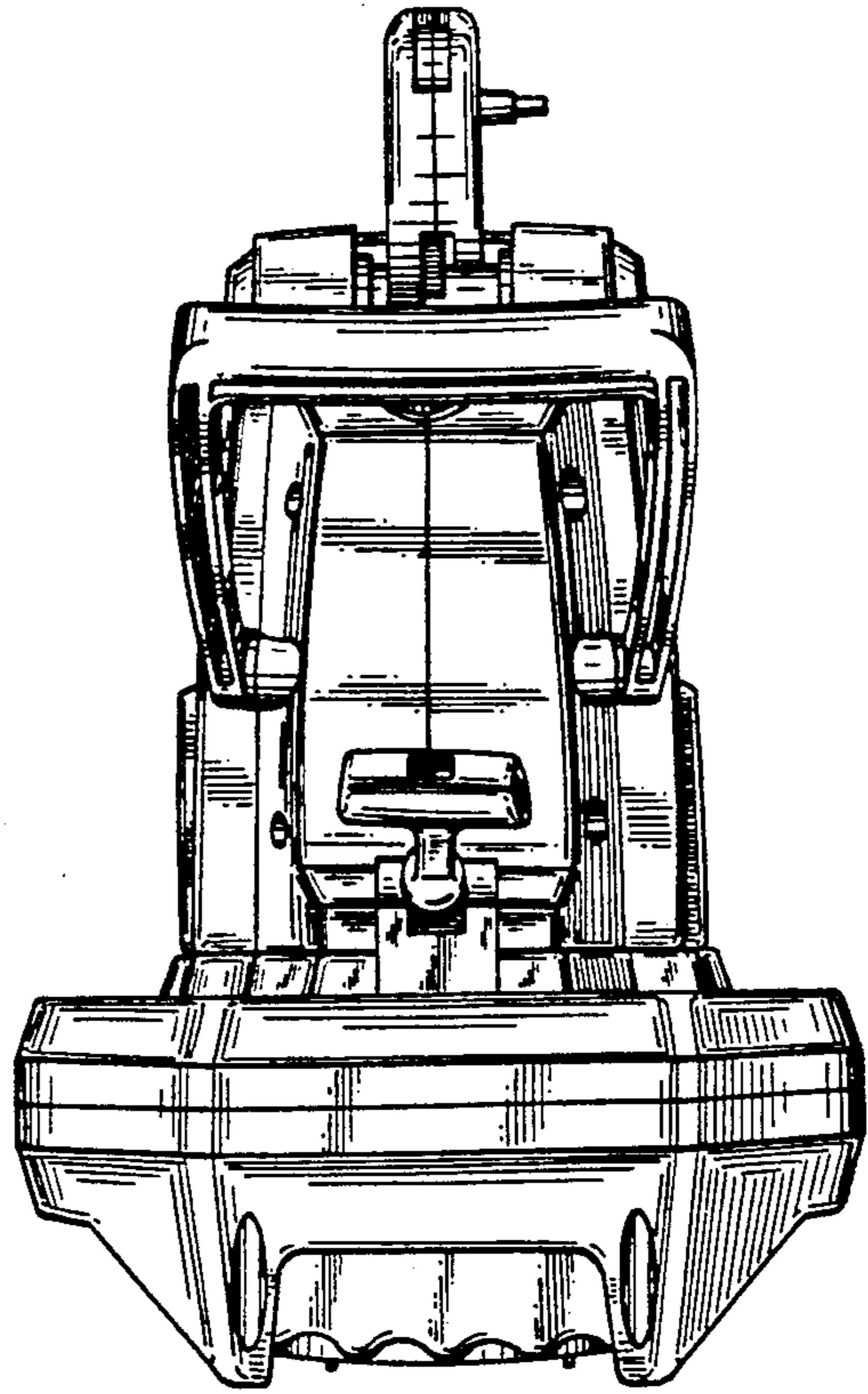


FIG. 5

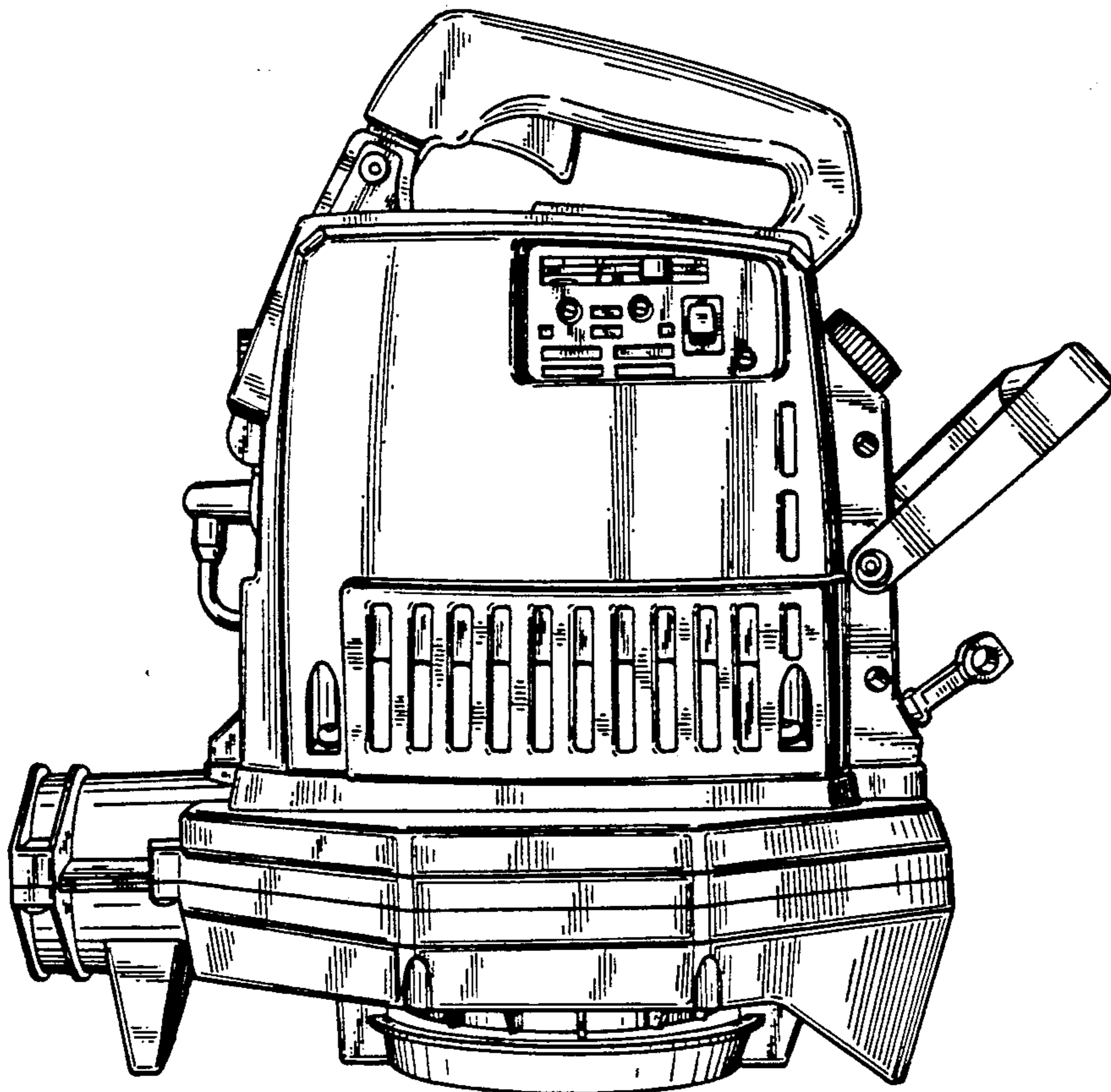


FIG. 4

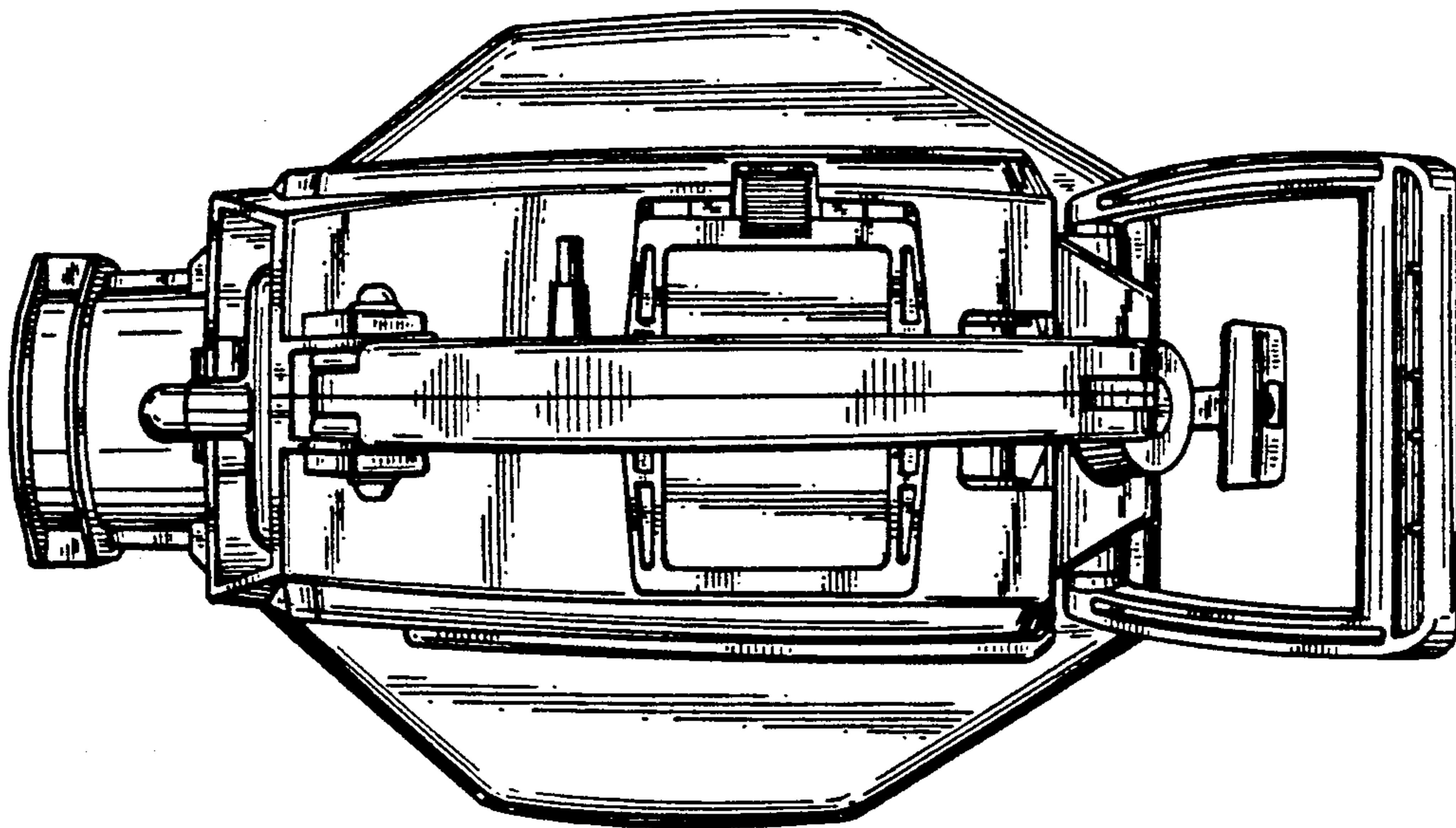


FIG. 6

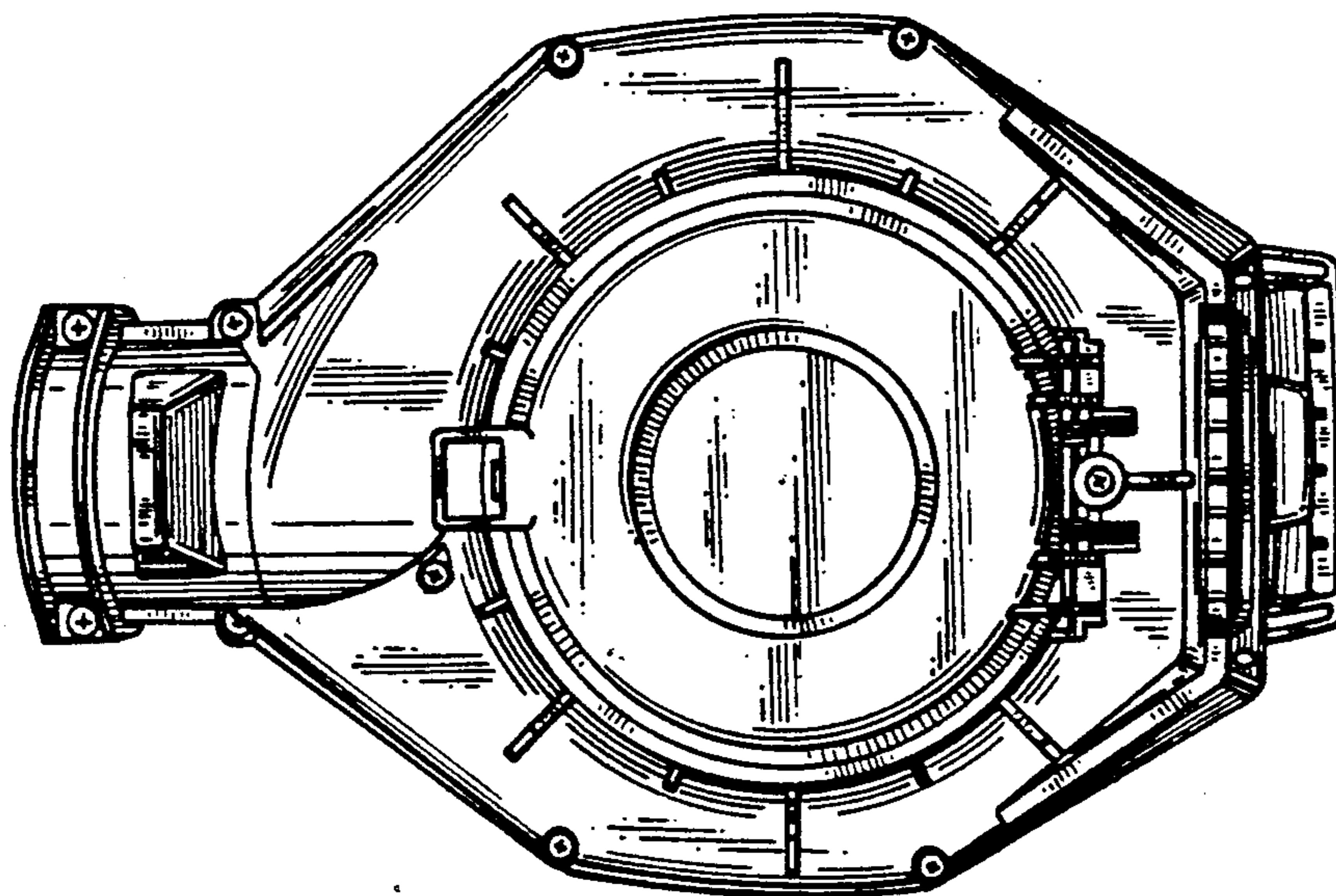


FIG. 7

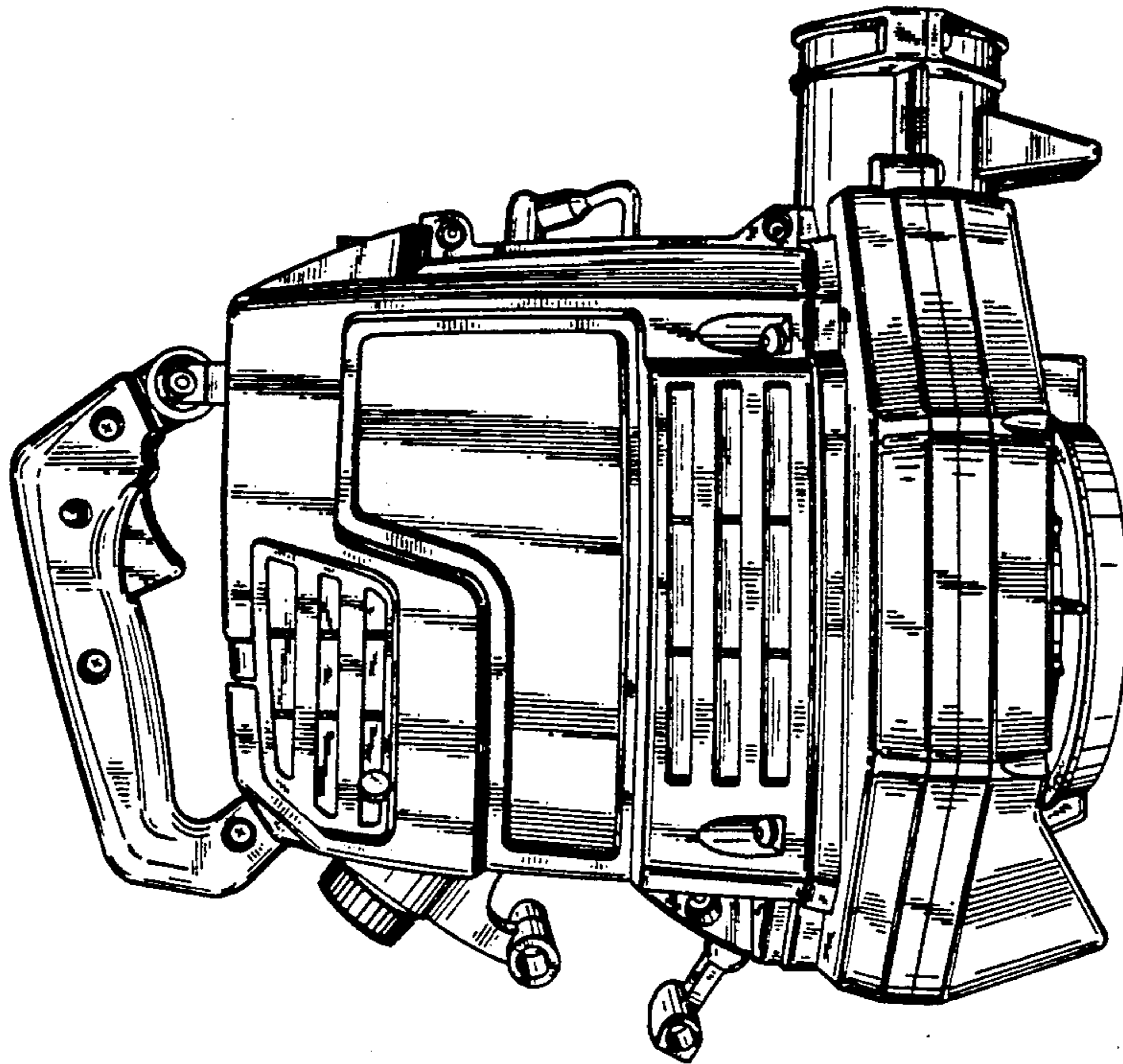


FIG. 9

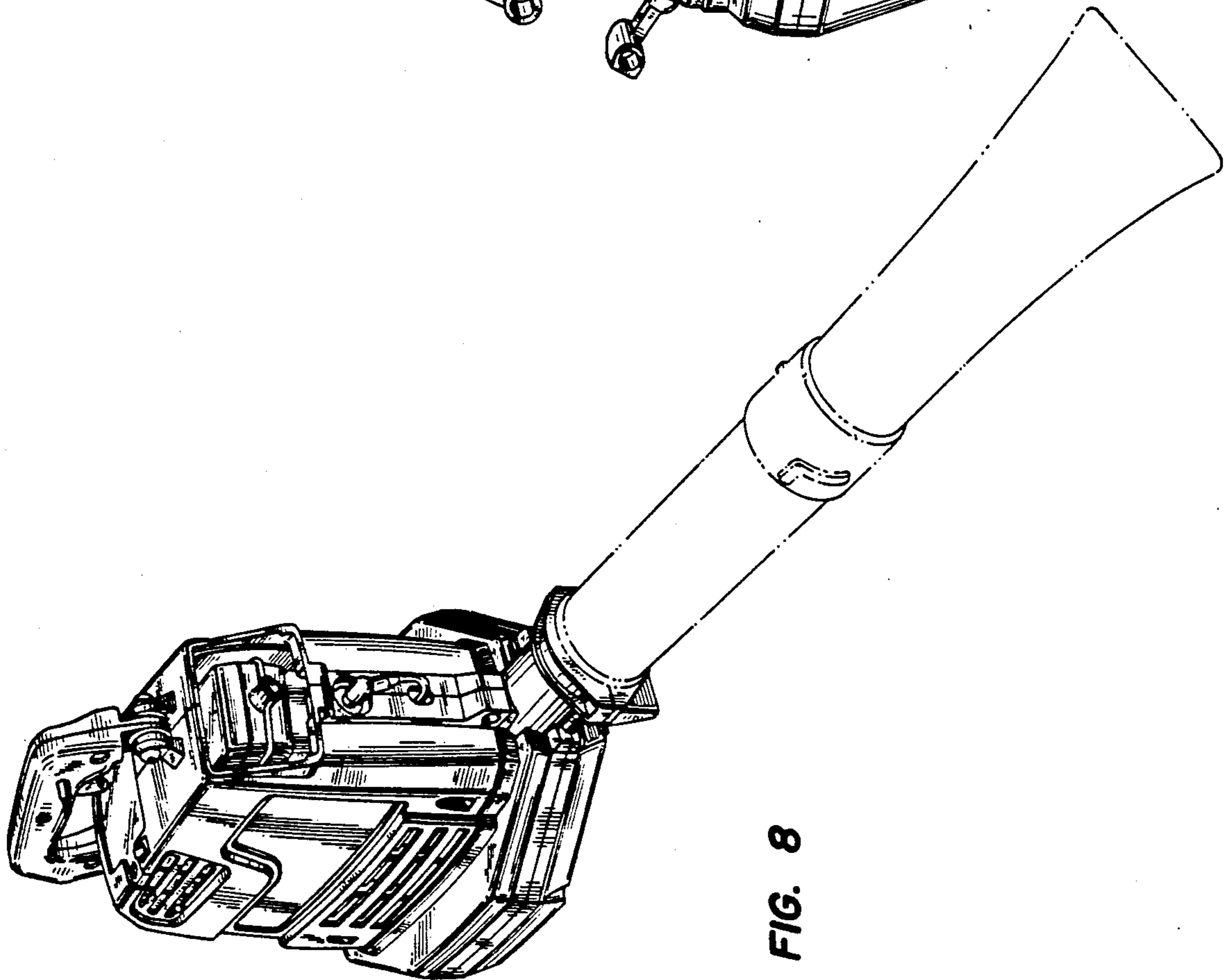


FIG. 8

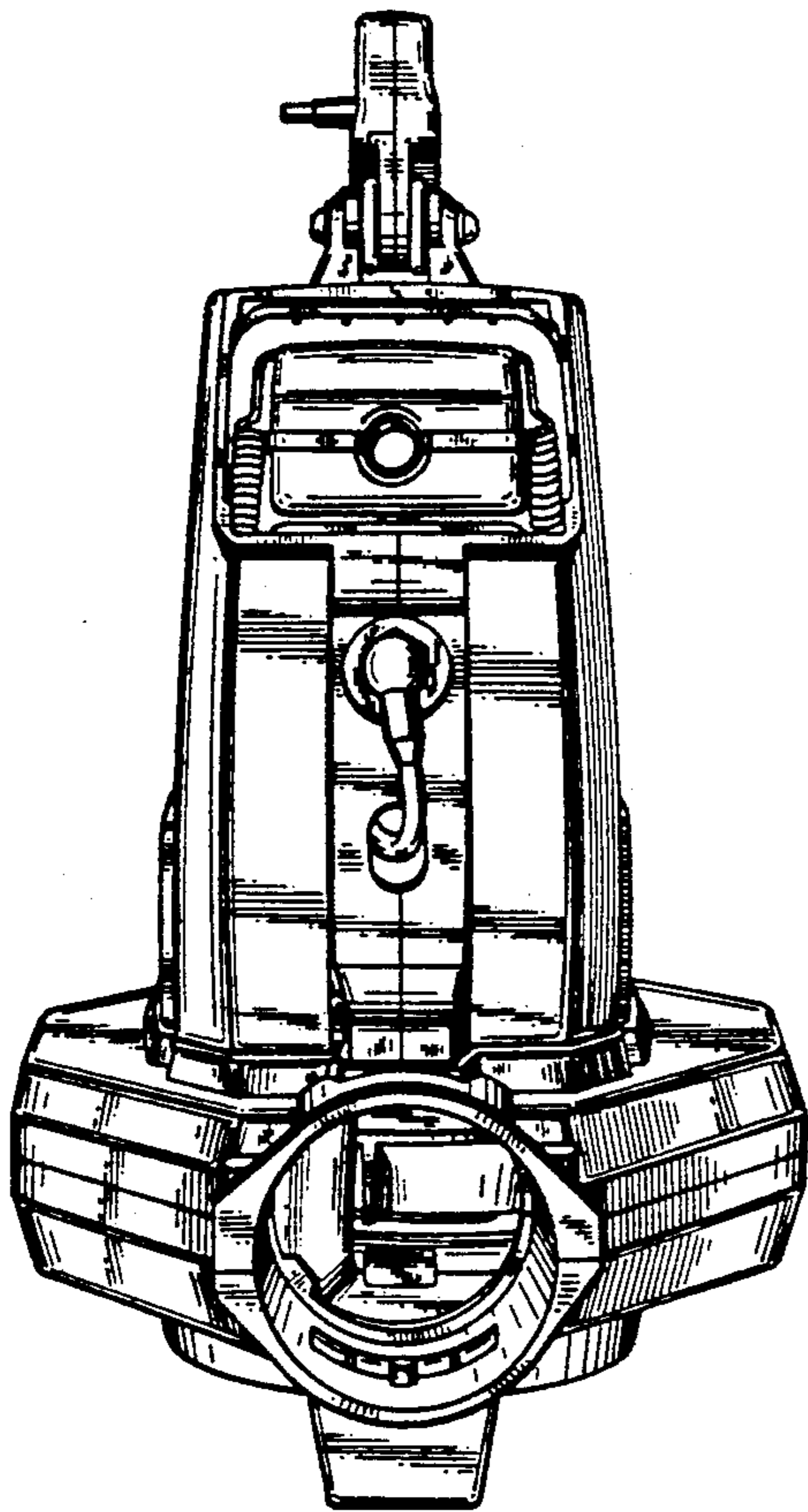


FIG. 10

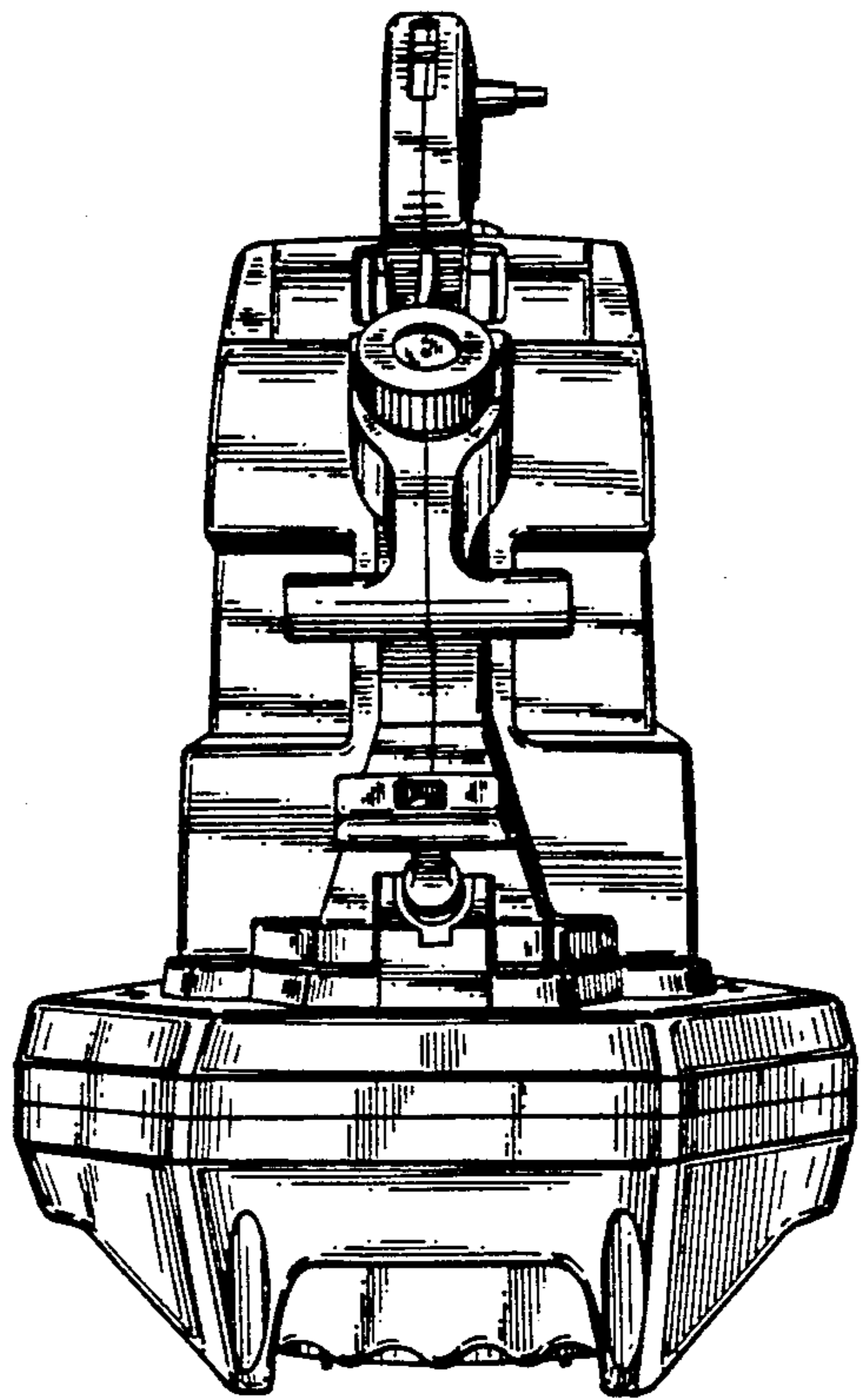


FIG. 12

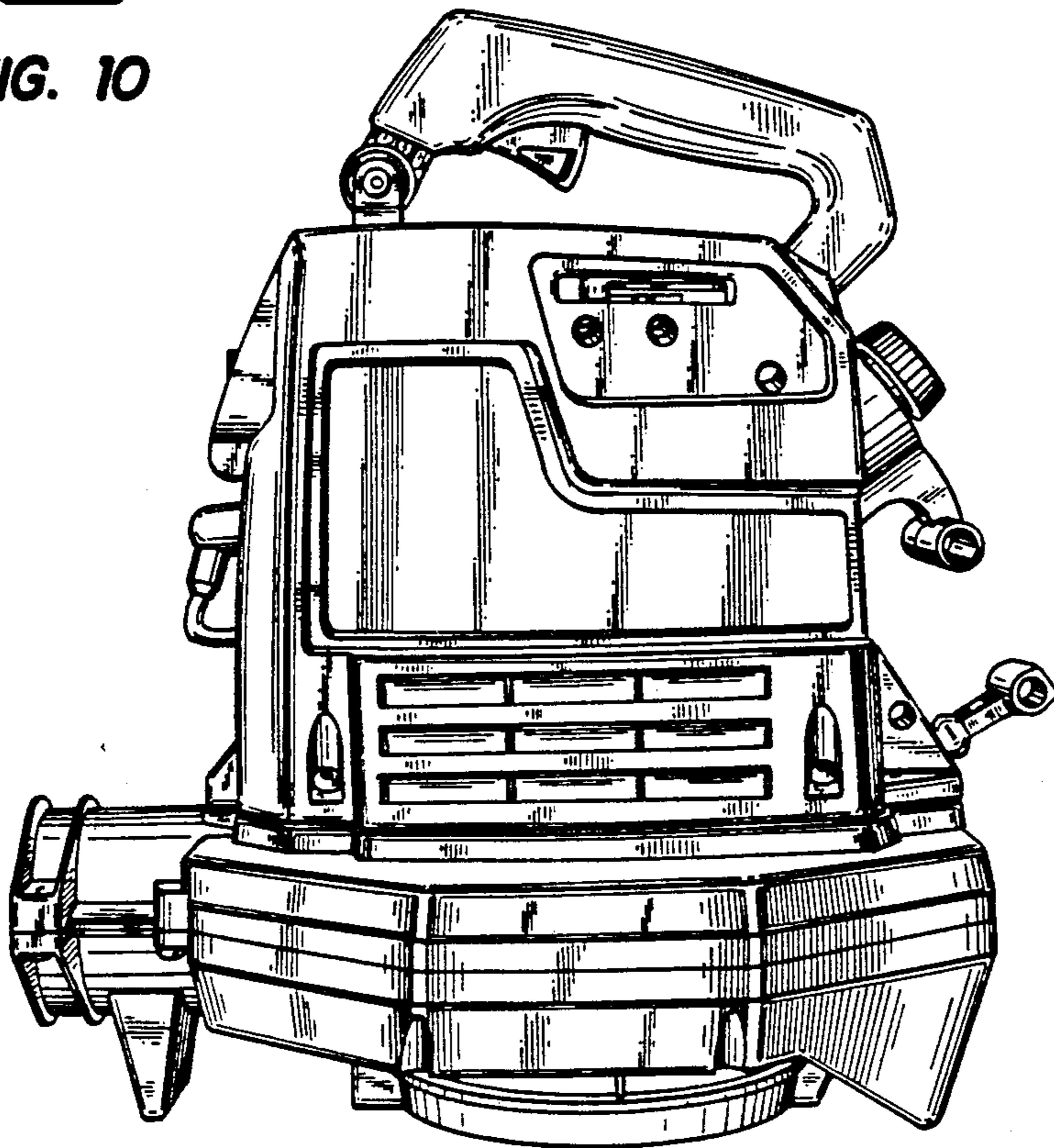


FIG. 11

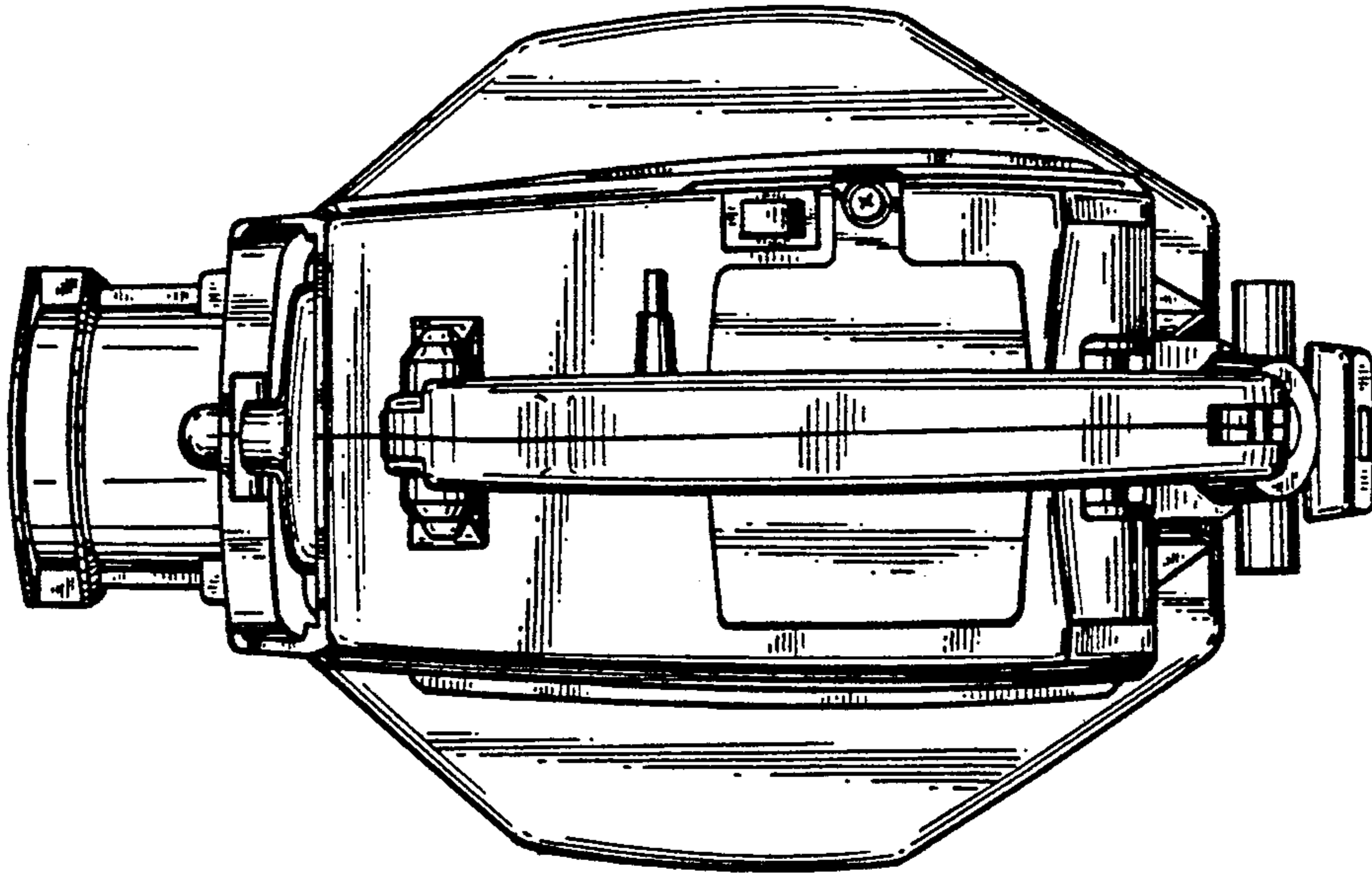


FIG. 13

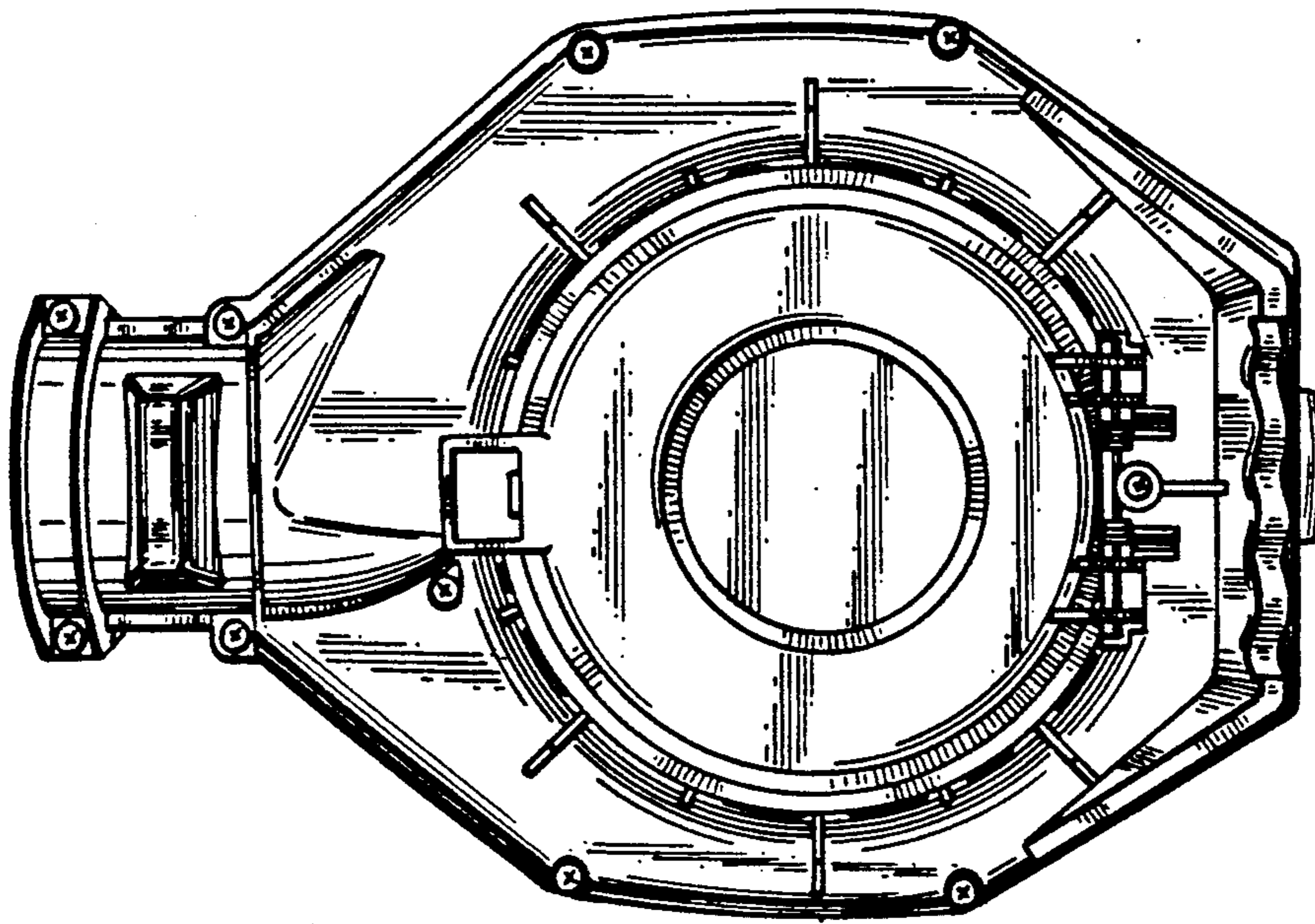


FIG. 14