



US00D322969S

United States Patent [19]

Ballheimer et al.

[11] Patent Number: **Des. 322,969**

[45] Date of Patent: **** Jan. 7, 1992**

[54] **PISTON OR SIMILAR ARTICLE**
[75] Inventors: **Benny Ballheimer, Peoria; Kenton L. Erickson, Dunlap; James A. Green; Stephen G. Shoup, both of Peoria, all of Ill.**

[73] Assignee: **Caterpillar Inc., Peoria, Ill.**

[**] Term: **14 Years**

[21] Appl. No.: **261,643**

[22] Filed: **Oct. 21, 1988**

[52] U.S. Cl. **D15/5; 92/224**

[58] Field of Search **D15/5; 92/224, 229**

[56] **References Cited**

U.S. PATENT DOCUMENTS

2,296,478	9/1942	Morgan	309/15
2,308,178	1/1943	Kishline	309/15
2,407,429	9/1946	Kuttner	309/6
3,971,355	7/1976	Kottmann	123/197
4,056,044	11/1977	Kamman et al.	92/159
4,180,027	12/1979	Taylor	123/41.35
4,207,808	6/1980	Elsbett et al.	92/158
4,242,948	1/1981	Stang et al.	92/224
4,286,505	9/1981	Amdall	92/186
4,377,967	3/1983	Pelizzoni	92/186
4,577,595	3/1986	Deutschmann et al.	123/41.35
4,644,853	2/1987	Russell et al.	92/190

4,662,047	5/1987	Berchem	29/156.5 R
4,704,950	11/1987	Ripberger et al.	92/208

FOREIGN PATENT DOCUMENTS

0106935	5/1984	European Pat. Off.	.
54-47937	4/1979	Japan	.

OTHER PUBLICATIONS

Technical Paper No. 770031; Society of Automotive Engineers, dtd. Feb. 28-Mar. 4, 1977, by M. D. Roehrle.

Primary Examiner—A. Hugo Word

Assistant Examiner—R. T. Seifert

Attorney, Agent, or Firm—Kenneth A. Rhoads

[57] **CLAIM**

The ornamental design for a piston or similar article, as shown and described.

DESCRIPTION

FIG. 1 is a front elevational view of a piston or similar article showing our new design; FIG. 2 is a right side elevational view thereof; FIG. 3 is a rear elevational view thereof; FIG. 4 is a left side elevational view thereof; FIG. 5 is a top plan view thereof; FIG. 6 is a bottom plan view thereof; and FIG. 7 is a bottom perspective thereof.

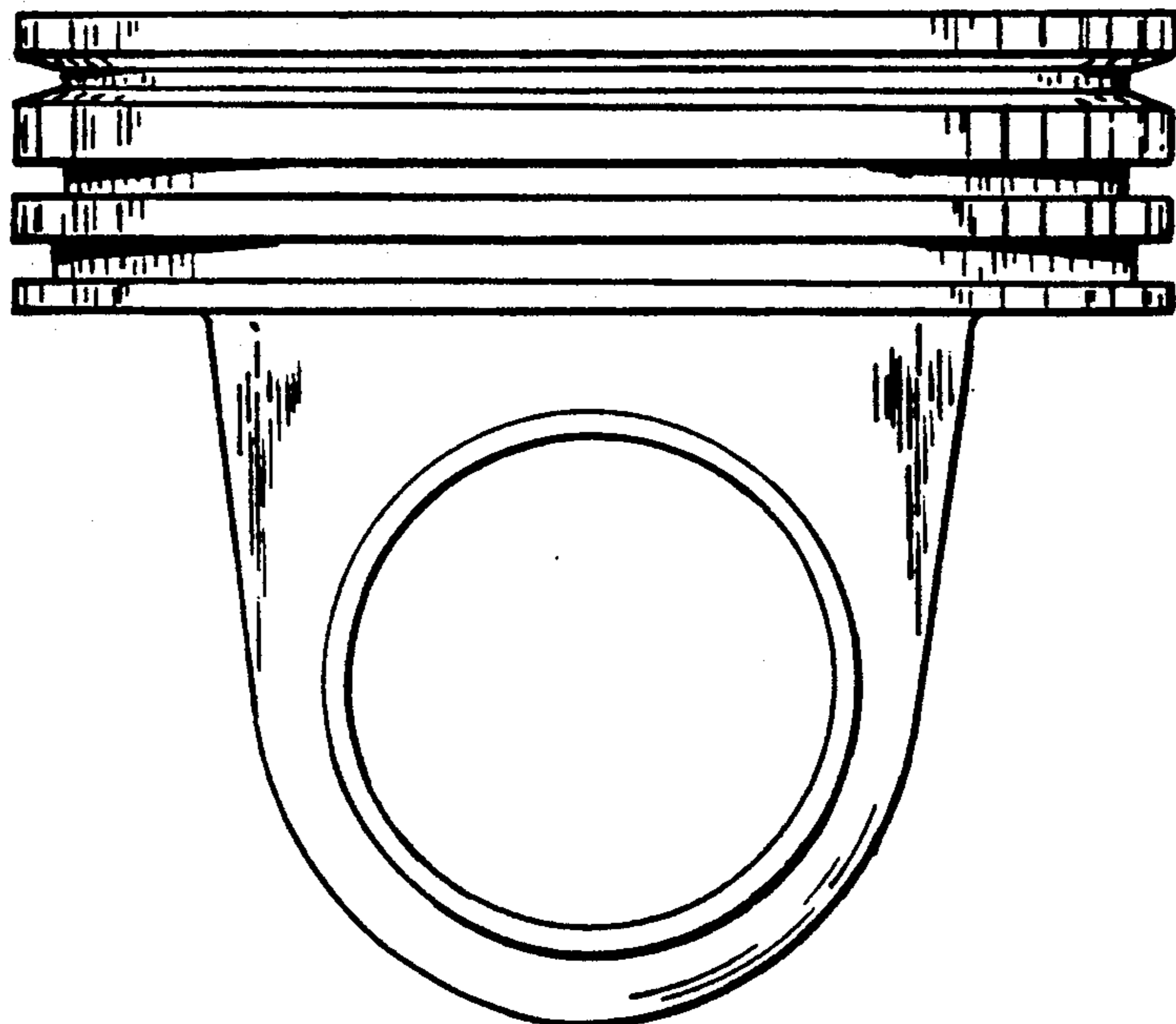


FIG. 1.

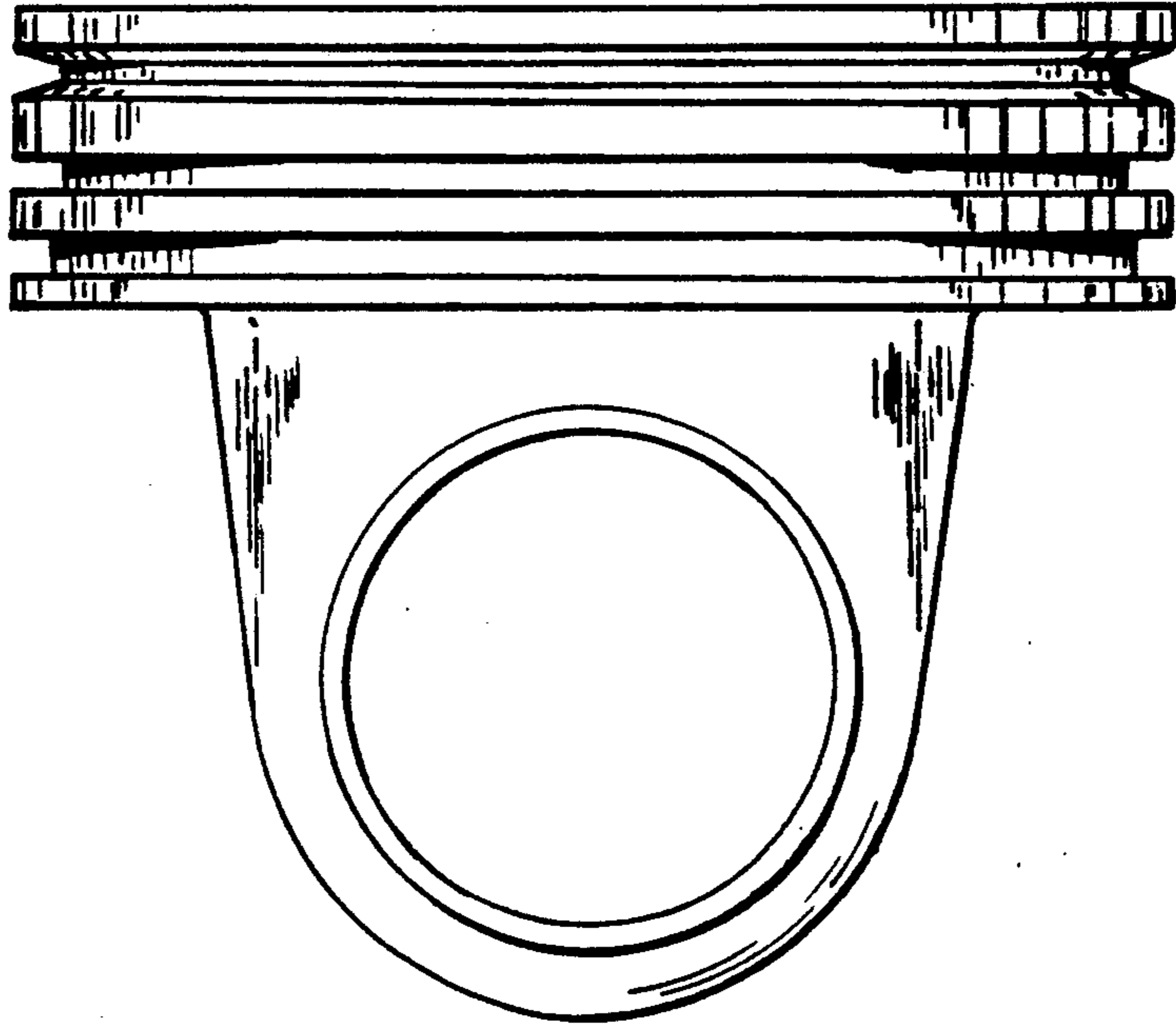


FIG. 2.

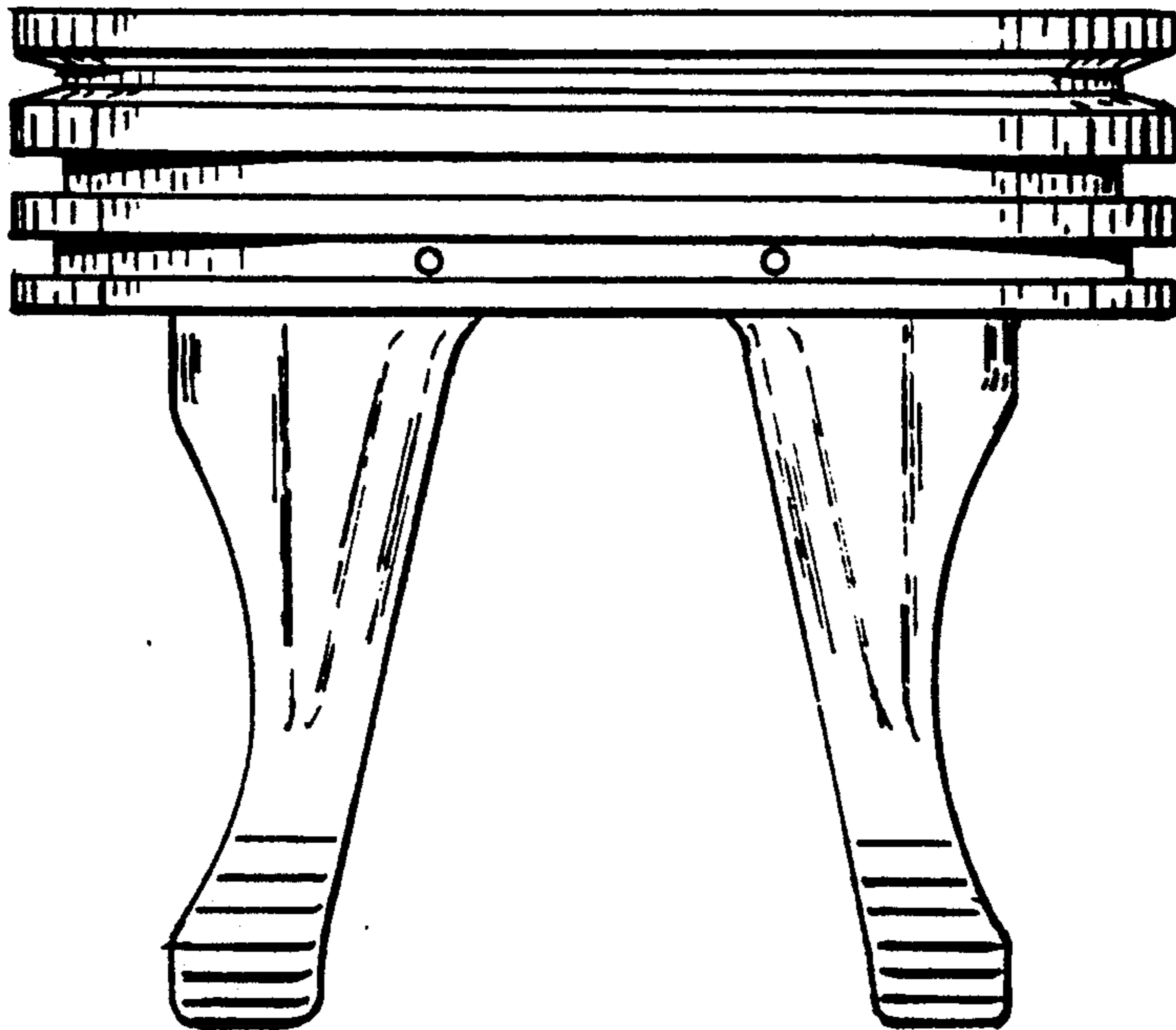


FIG. 3.

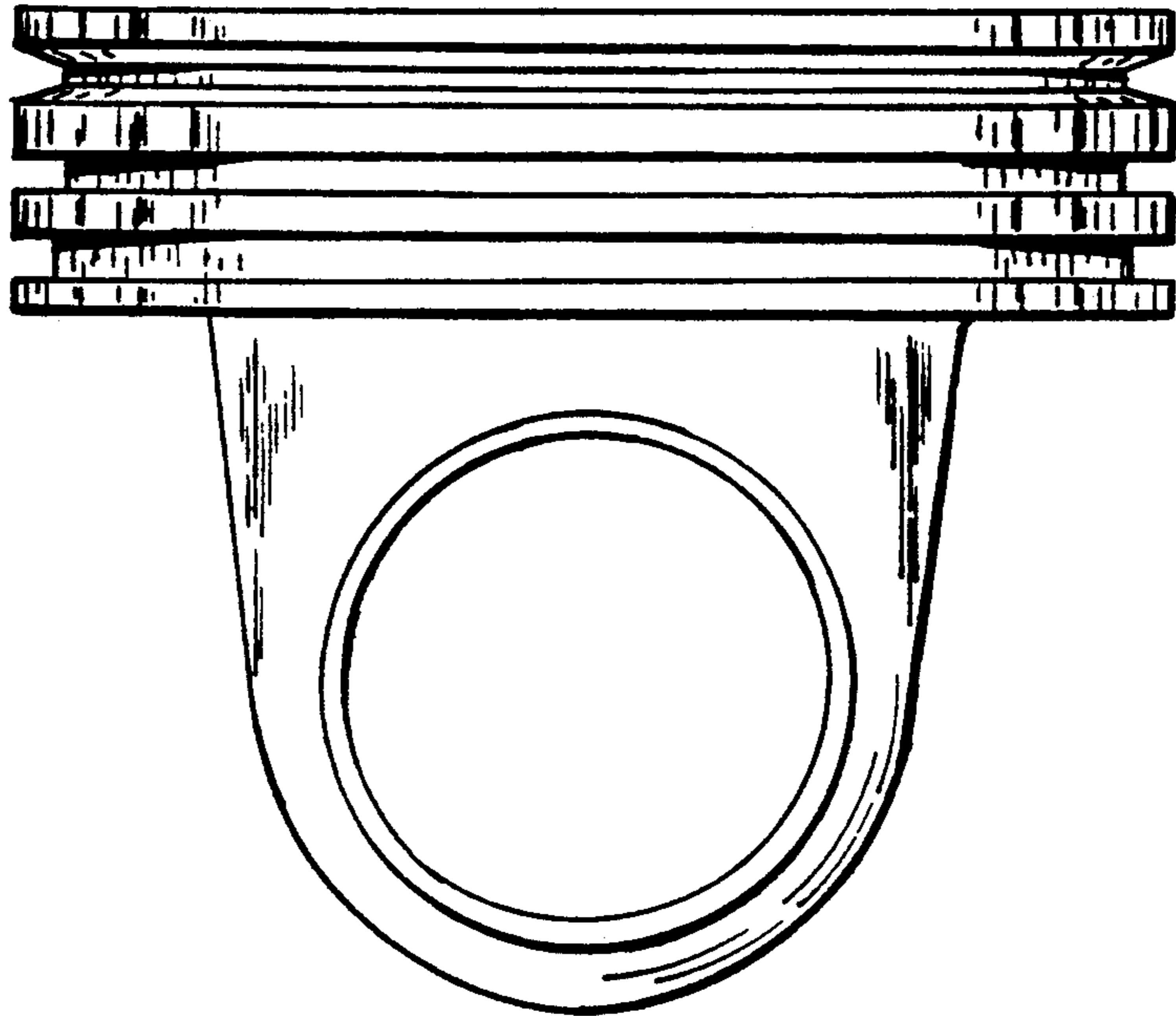


FIG. 4.

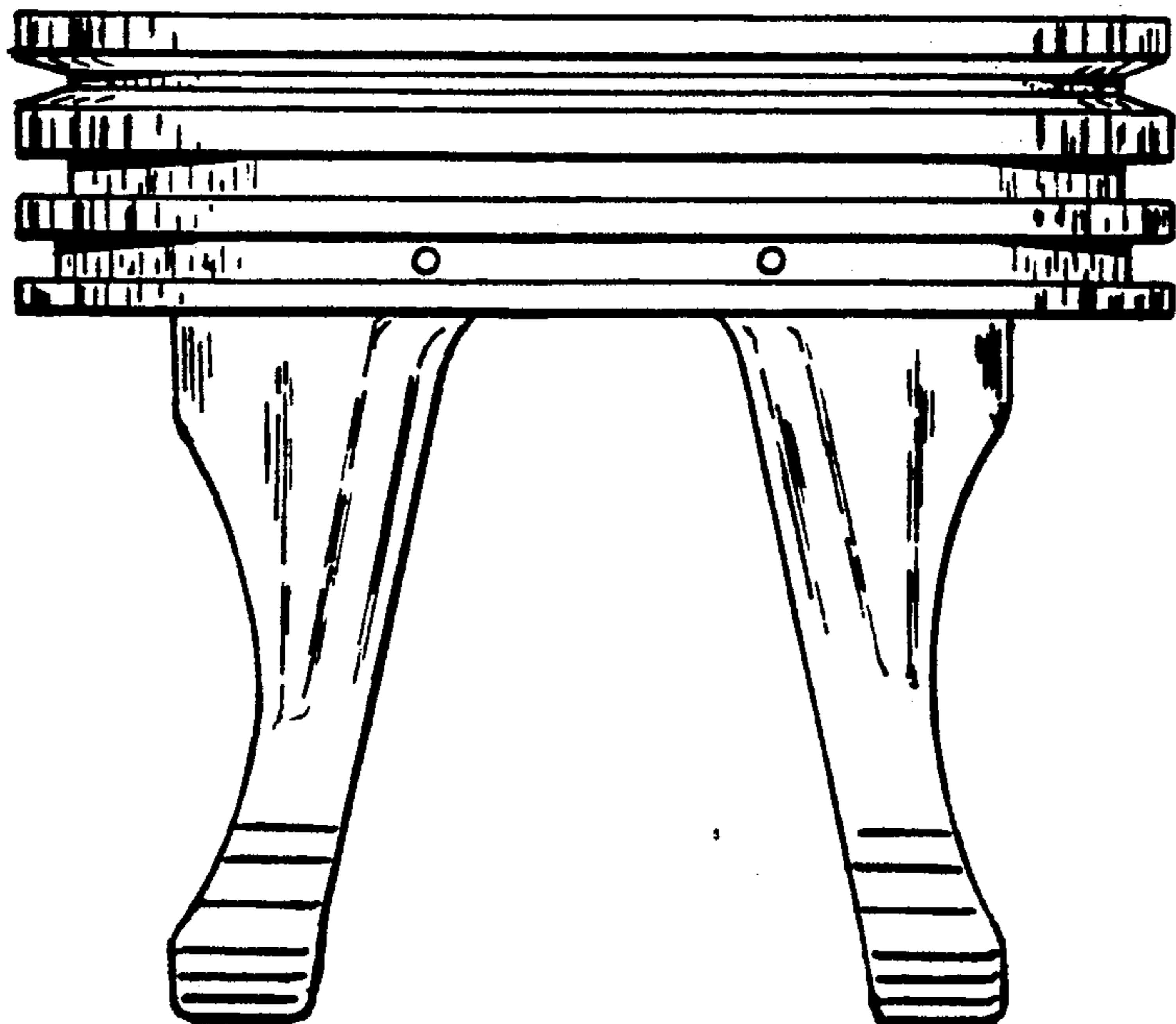


FIG. 5.

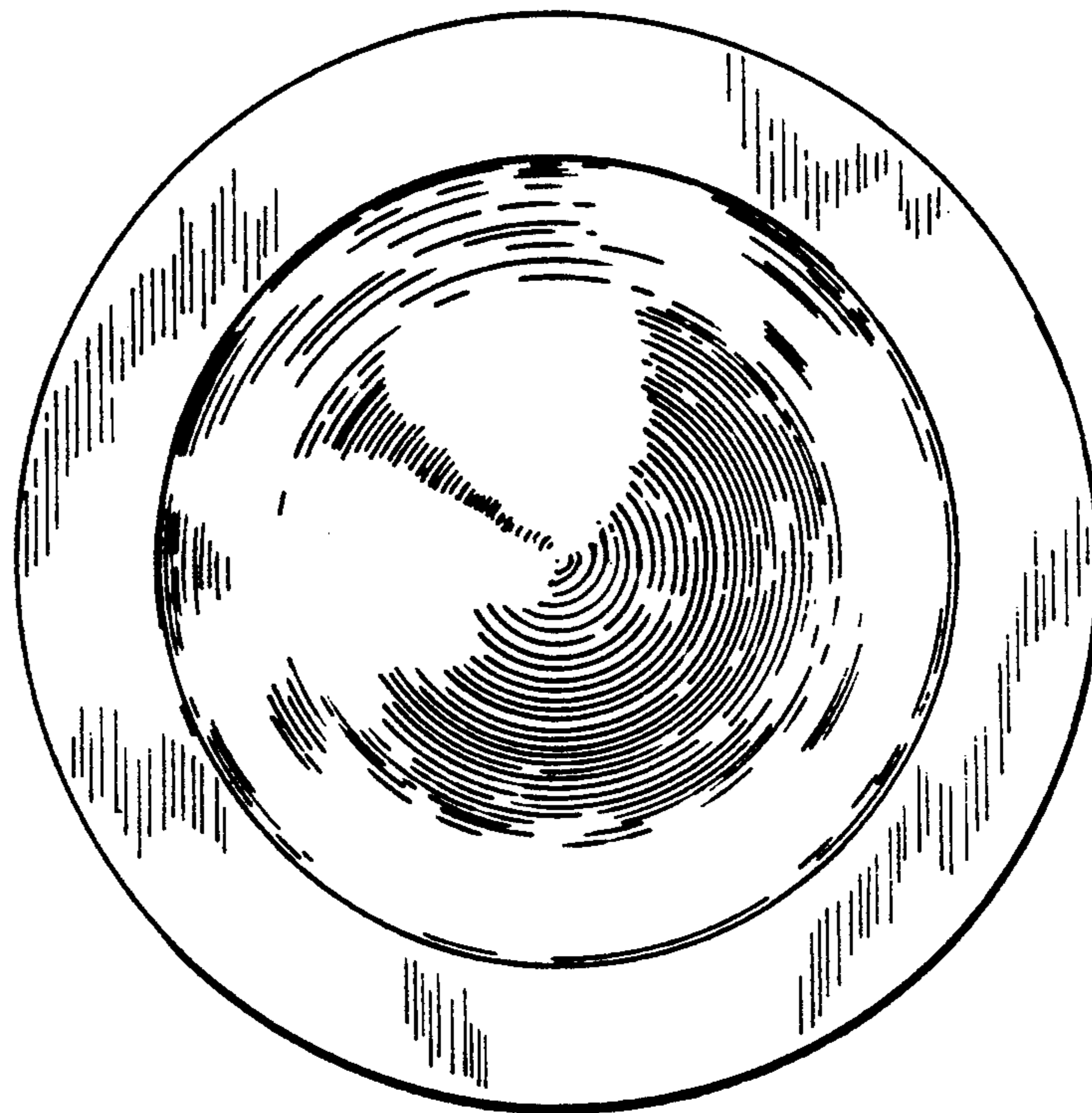


FIG. 6.

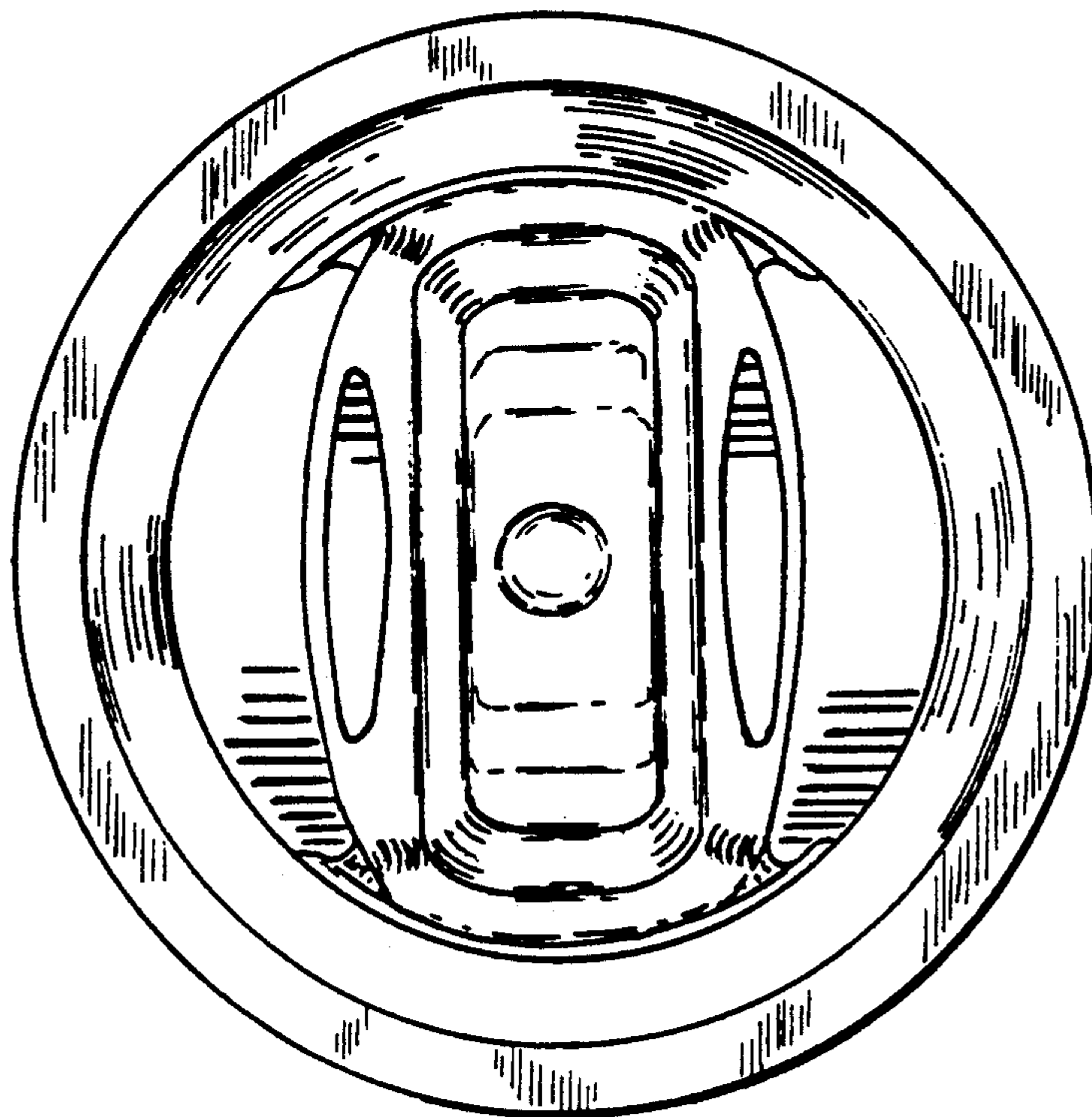


FIG. 7.

